



# GX Series Gas Griddles

# GX Series Gas Griddles

Item: \_\_\_\_\_

Quantity: \_\_\_\_\_

Project: \_\_\_\_\_

Approval: \_\_\_\_\_

Date: \_\_\_\_\_

Models:

- |                               |                               |                               |                               |                               |
|-------------------------------|-------------------------------|-------------------------------|-------------------------------|-------------------------------|
| <input type="checkbox"/> GXT2 | <input type="checkbox"/> GXT3 | <input type="checkbox"/> GXT4 | <input type="checkbox"/> GXT5 | <input type="checkbox"/> GXT6 |
| <input type="checkbox"/> GXM2 | <input type="checkbox"/> GXM3 | <input type="checkbox"/> GXM4 | <input type="checkbox"/> GXM5 | <input type="checkbox"/> GXM6 |



Model GXT3



Model GXM4

### Standard Features:

- Built-in front grease trough
- Large capacity removable grease can
- Aluminized steel, 24,000 BTU/hr burners, (one every 12" of griddle width)
- 3/4" gas regulator
- 1" thick cold rolled steel plate
- 4" (102mm), stainless steel legs with adjustable feet
- 14 gauge splash guard
- Stainless steel front, sides, and landing ledge

- All GXT models are thermostat-controlled; 100°F - 450°F, (GXM models are valve-controlled)

### Optional Features:

- Grooved griddle, (in 12" increments)
- Stainless steel equipment stand
- Casters on stand - swivel type



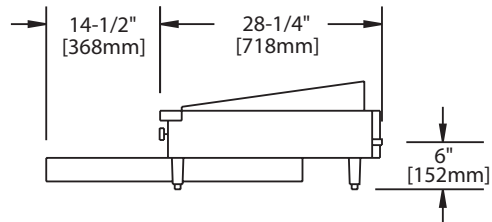
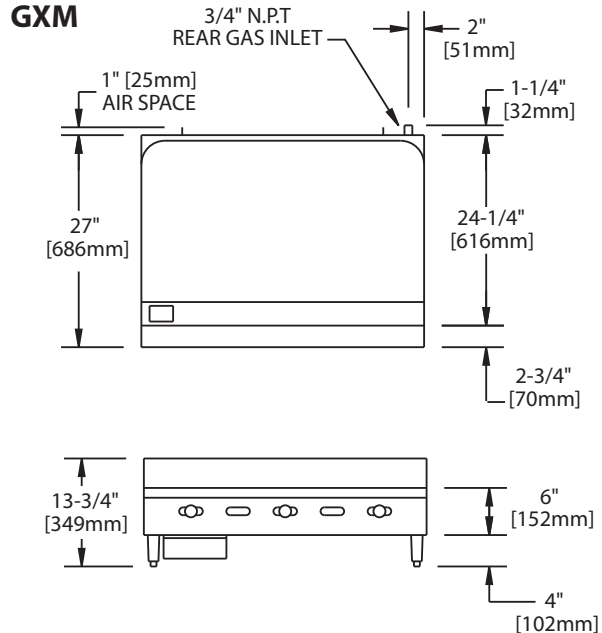
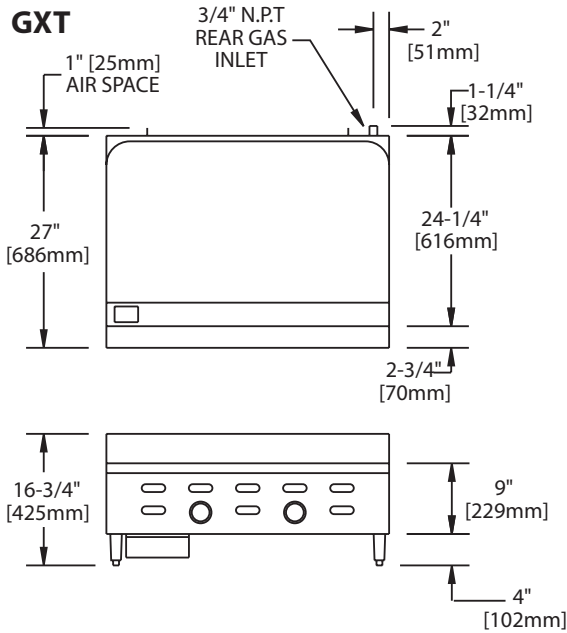
Model #	Description	Total BTU		Shipping Information	
		Natural	Propane	Lbs/Kg	Cu Ft
<b>Thermostat Controlled Standard Griddle (1" steel plate)</b>					
GXT2	Griddle 22"(559mm) x 24"(610mm)	48,000	48,000	270/122	18
GXT3	Griddle 22"(559mm) x 36"(914mm)	72,000	72,000	370/168	22
GXT4	Griddle 22"(559mm) x 48"(1219mm)	96,000	96,000	441/200	33
GXT5	Griddle 22"(559mm) x 60"(1524mm)	120,000	120,000	578/262	40
GXT6	Griddle 22"(559mm) x 72"(1829mm)	144,000	144,000	800/363	47
<b>Manually Controlled Standard Griddle (1" steel plate)</b>					
GXM2	Griddle 22"(559mm) x 24"(610mm)	48,000	48,000	247/112	18
GXM3	Griddle 22"(559mm) x 36"(914mm)	72,000	72,000	359/159	22
GXM4	Griddle 22"(559mm) x 48"(1219mm)	96,000	96,000	446/202	33
GXM5	Griddle 22"(559mm) x 60"(1524mm)	120,000	120,000	561/254	40
GXM6	Griddle 22"(559mm) x 72"(1829mm)	144,000	144,000	690/309	47

Garland Commercial Industries, LLC  
185 East South Street  
Freeland, PA 18224  
Phone: (570) 636-1000  
Fax: (570) 636-3903

Garland Commercial Ranges Ltd  
1177 Kamato Road,  
Mississauga, Ontario  
L4W 1X4 CANADA  
Phone: 905-624-0260  
Fax: 905-624-5669

Enodis UK LTD  
Swallowfield Way,  
Hayes, Middlesex  
UB3 1DQ ENGLAND  
Telephone: 081-561-0433  
Fax: 081-848-0041





Garland/U.S. Range products are not approved or authorized for home or residential use, but are intended for commercial applications only. Garland / U.S. Range will not provide service, warranty, maintenance or support of any kind other than in commercial applications.

SERIES	HEIGHT	WIDTH					DEPTH	GAS INLET
		GXT2	GXT3	GXT4	GXT5	GXT6		
GXT	16 3/4" (425mm)	24" (610mm)	36" (914mm)	48" (1219mm)	60" (1524mm)	72" (1829mm)	28" (711mm)	3/4" N PT
		GXM2	GXM3	GXM4	GXM5	GXM6		
GXM	13 3/4" (349mm)	24" (610mm)	36" (914mm)	48" (1219mm)	60" (1524mm)	72" (1829mm)		

CLEARANCES				OPERATING PRESSURE			
INSTALLATION		ENTRY		NATURAL GAS		PROPANE	
to Non Combustible	to Combustible	Crated	Uncrated	"WC	MBar	"WC	Mbar
6" (152mm)	16" (915mm)	29" (737mm)	14" (356mm)	5	12.5	10	25

Form# GXT/GXM (06/07)