



# G24 Series Heavy Duty Gas Griddles

Item: \_\_\_\_\_  
 Quantity: \_\_\_\_\_  
 Project: \_\_\_\_\_  
 Approval: \_\_\_\_\_  
 Date: \_\_\_\_\_

G24 Series Heavy Duty Gas Griddles

## Models:

- |                                     |                                     |                                     |                                     |                                     |
|-------------------------------------|-------------------------------------|-------------------------------------|-------------------------------------|-------------------------------------|
| <input type="checkbox"/> G24-24G    | <input type="checkbox"/> G24-36G    | <input type="checkbox"/> G24-48G    | <input type="checkbox"/> G24-60G    | <input type="checkbox"/> G24-72G    |
| <input type="checkbox"/> G24-24GTHX | <input type="checkbox"/> G24-36GTHX | <input type="checkbox"/> G24-48GTHX | <input type="checkbox"/> G24-60GTHX | <input type="checkbox"/> G24-72GTHX |



Model G24-24GTHX

## Standard Features:

- Stainless steel front and sides
  - Full spatula width front grease trough
  - Large grease bucket holds 1-3/4 gallons (7.9 liters)
  - 3/4" (19mm) polished steel griddle plate with 2-5/8" (67mm) welded splash guards on both sides and rear
  - 4" (102mm) stainless steel legs
  - 24" (610mm) deep grilling surface
  - Available with snap action thermostats or hi-lo valves
  - Chrome plated thermostat guards
  - 33,333 BTU (valve controlled) or 30,000 BTU (thermostat controlled) for every 12" (305mm) of griddle width
- 100° to 450° F (40°-230°C) temperature range
  - 5 griddle widths available - 24" (610mm) through 72" (1829mm)
  - 3/4" N .P.T. regulator for 24" and 36" wide models and 1" N.P.T. regulator for 48", 60" and 72" wide models.

## Optional Features:

- Stainless steel back
- Grooved griddle plate (in 12" sections)
- For models that are "CE" approved with valve controlled flame failure features add the suffix "GSFD" at the end of the model number

Note : Stands are available see form # CS24/CSD

## Specifications:

Heavy duty gas griddles available in five (5) widths; 24", 36", 48", 60", and 72". High performance, high volume production with even, consistent, controlled temperatures 100° to 450° F (40°-230°C) range. 3/4" (19mm) thick griddle plate, with 24" (610 mm) deep grilling surface.

Griddles are available with hi-lo valve controls or for temperature set control models with snap action thermostats. Snap action thermostat griddles do not require any electrical connections. Valve or thermostat models have a control and burner for every 12" (305mm) width of griddle for maximum heat input on the plate surface.



### Input Chart Natural & Propane Gas

Model	Description	Controls	BTU/HR	kW/HR
G24-24G, G24-24GTHX	24" (610 mm) Griddle	2 Hi-lo Valves 2 Thermostats	66,500 60,000	19.48 17.58
G24-36G, G24-36GTHX	36" (914 mm) Griddle	3 Hi-lo Valves 3 Thermostats	100,000 90,000	29.31 26.38
G24-48G, G24-48GTHX	48" (1219 mm) Griddle	4 Hi-lo Valves 4 Thermostats	133,000 120,000	38.98 35.17
G24-60G, G24-60GTHX	60" (1524 mm) Griddle	5 Hi-lo Valves 5 Thermostats	166,500 150,000	48.78 43.96
G24-72G, G24-72GTHX	72" (1829 mm) Griddle	6 Hi-lo Valves 6 Thermostats	200,000 180,000	58.61 52.75

### Combustible Wall Clearances: In (mm)

Sides	Back	Base
6" (152)	6" (152)	Non-combustible

**NOTE:** Installation clearance reductions are applicable only where local codes permit.

Garland products are not approved or authorized for home or residential use, but are intended for commercial applications only. Garland will not provide service, warranty, maintenance or support of any kind other than in commercial applications.

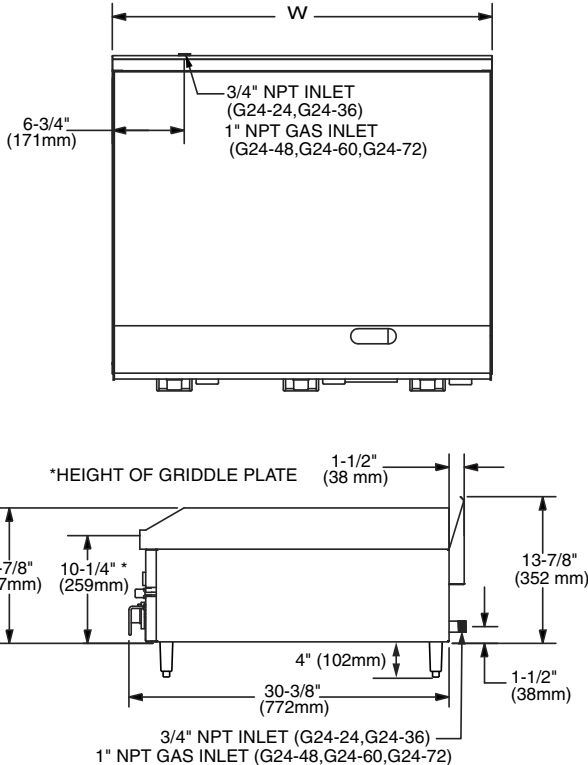
### Supply Operating Pressure

Natural Gas	Propane	Natural Gas	Propane
7"WC (17.5 mbar)	11"WC (27.5 mbar)	4"WC (10 mbar)	10"WC (24 mbar)

### Manifold Operating Pressure

Note: For use with Natural & L.P Gas only

Ratings shown are for natural gas installations up to 2000 feet (610m) above sea level. BTU input ratings must be derated for high altitude installations. Specify altitude of product if over 2000 feet (610m).



Model	W
G24-24G, G24-24GTHX	24" (610 mm)
G24-36G, G24-36GTHX	36" (914 mm)
G24-48G, G24-48GTHX	48" (1219 mm)
G24-60G, G24-60GTHX	60" (1524 mm)
G24-72G, G24-72GTHX	72" (1829 mm)

Form# G24G/GTHX Series (10/24/11)