



Designer Series Gas Fryer

Item: GD-15F

Quantity: _____

Project: _____

Approval: _____

Date: _____

Designer Series Gas Fryer

Models:

GD-15F



Model GD-15F

Standard Features:

- Stainless steel front and sides
- 4" (102mm) Sanitary legs
- Easy clean features
- Open pot design, no tubes
- Deep cold zone, keeps contaminants out of cooking area, extending shortening life
- Cold rolled steel frypot
- Front drain ball valve 1" (25.4mm) IPS
- 15 lbs shortening capacity
- 100% safety system
- 1° F snap action thermostat
- Piezo spark ignition
- Rear gas connection w/ pressure regulator
- Natural or propane gas
- 45,000 total BTU
- Twin fryer baskets

Optional Features:

Stainless steel back and bottom

Note: Stands are available see form # CS24/CSD

Specifications:

Gas designer series fryer, Model GD-15F; 15" (381mm) wide, 24" (610mm) deep x 20" (508mm) high, easy clean design, with stainless steel front and sides. Steel frypot with open pot design, 15 lbs. shortening capacity and deep cold zone. Exclusive 1° F snap action thermostat. Piezo spark ignition, natural or propane gas, 45,000 total BTU input. Designed as free standing or to be banked with other GD series equipment.



Garland Commercial Ranges Ltd.
1177 Kamato Road,
Mississauga, Ontario
L4W 1X4 CANADA

General Inquires 1-905-624-0260
USA Sales, Parts and Service 1-800-424-2411
Canadian Sales 1-888-442-7526
Canada or USA Parts/Service 1-800-427-6668



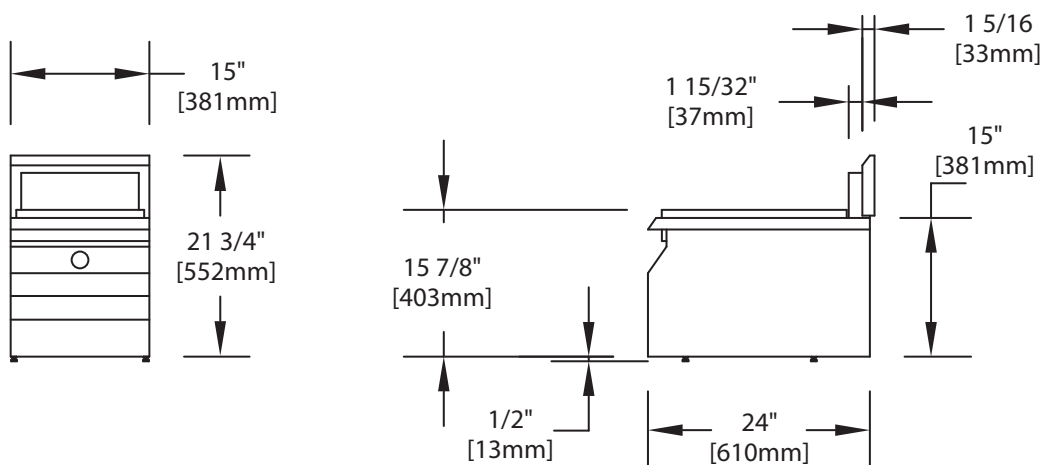
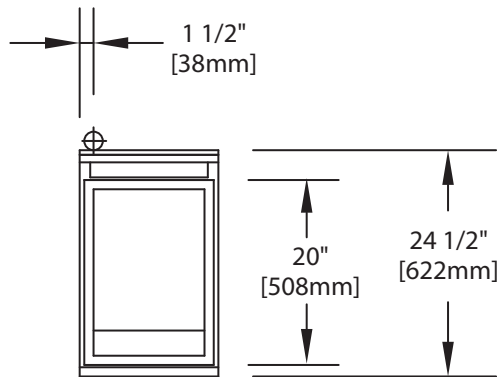
MODEL	Over All Dimensions			Total Input BTU/Kw	Cu. Ft.	Shipping Wt Lb/kg
	Width	Height	Depth			
GD-15F	15" (381mm)	20" (508mm)	24" (610mm)	45,000/13.2	6	120/54

Gas Input ratings shown here are for installations up to 2,000 ft. (610m) above sea level. Specify altitudes over 2,000 ft.

Garland products are not approved or authorized for home or residential use, but are intended for commercial applications only. Garland will not provide service, warranty, maintenance or support of any kind other than in commercial applications.

Clearances To Combustible Wall		Floor or Base
Sides	Back	
6" (152mm)	6" (152mm)	Non Combustible

Manifold Inlet Size NPT	Manifold Operating Pressure			
	Natural		Propane	
	"WC	mbar	"WC	mbar
1/2"	4.2	10.5	9	22.4



Form# GD-15F (08/23/11)