



Item: _____
 Quantity: _____
 Project: _____
 Approval: _____
 Date: _____

Garland HEST Series Equipment Stands

Garland HEST Series Equipment Stands

Models:

- HEST-24 for HEEG-24CL & HEEG-24CE HEST-36 for HEEG-36CL & HEEG-36CE
 HEST-48 for HEEG-48CL & HEEG-48CE HEST-60 for HEEG-60CL & HEEG-60CE



48" Equipment Stand

Standard Features

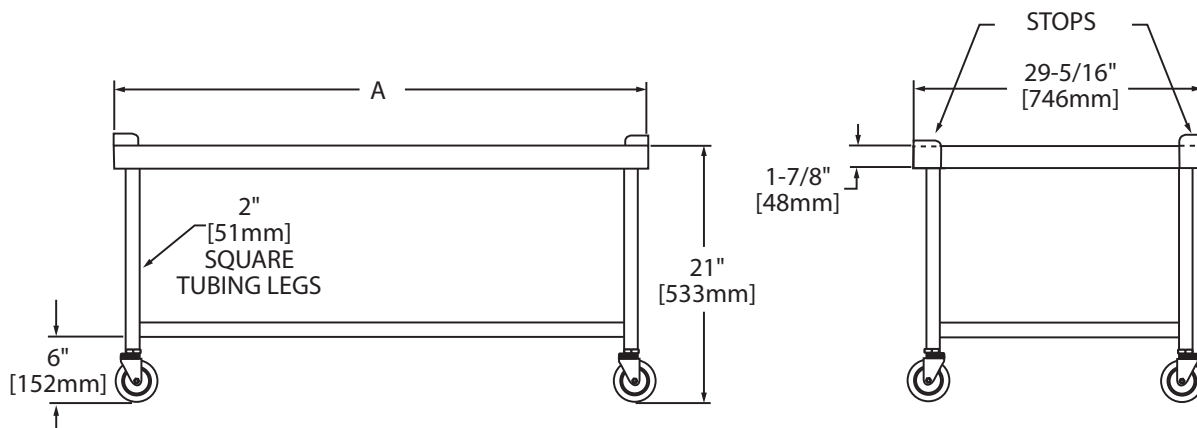
- Stainless steel finish
- 21" (533mm), high
- Available in 24" (610mm), 34" (864mm), 48" (1219mm) and 58" (610-1473 mm) widths
- Intermediate shelf
- 2" (51mm) square tubing legs
- Swivel casters w/front brakes

Specifications:

Shall be Garland HEST series countertop equipment stand for use with the High Efficiency (HE) Char-Broiler. Model _____ with standard stainless steel finish. Unit to have intermediate shelf.



Dimensions		Shipping Weight lb/kg
Model Number	A (Width)	
HEST-24	24"(610mm)	39/18
HEST-36	34"(864mm)	55/25
HEST-48	48"(1219mm)	69/31
HEST-60	58"(1473mm)	77/35



Many local codes exist and it is the responsibility of the owner and installer to comply with those codes.

Garland/U.S. Range products are not approved or authorized for home or residential use, but are intended for commercial applications only. Garland/U.S. Range will not provide service, warranty, maintenance or support of any kind other than in commercial applications.

Form# HEST (09/07/12)