



G80 Series Gas Char Broilers

Item: _____
 Quantity: _____
 Project: _____
 Approval: _____
 Date: _____

G80 Series Gas Char Broilers

Models:

- G80-18B G80-30B G80-48B
 G80-24B G80-36B



Model G80-30B

Standard Features:

- 15,000 BTU/hr. per burner. One burner per 6" of width
- Individual burner controls
- Stand-by pilots for instant lighting
- Stainless steel front, black powder-coat epoxy sides and rear
- Ceramic briquettes
- Dual sided cast iron broiler racks, with 1/2" (13mm) rounded bar (broad) and diamond (fine) patterns on opposite sides, in of 6" (152mm) sections.

- 4" (102mm) legs with adjustable feet
- Gas pressure regulator

Optional Features:

- Stainless steel sides
- Diamond branding rack in lieu of standard rack, No Charge, specify when ordering.
- Optional multiple broiler lengths available by ordering 24" and 36" models with modified sides
- Stainless steel spatterguard
- Holding shelf for spatterguard

Note: Stands available see form # CS80

Specifications:

Garland G80 Series Char Broiler, model _____, available in 18" (457mm), 24" (610mm), 30" (762mm), 36" (914mm), and 48" (1219mm) widths. Stainless steel front and painted sides. Cast iron dual sided rack sections with 1/2" (13mm) rounded bar (broad) and diamond (fine) patterns on opposite sides in increments of 6" (152mm) sections.



Garland Commercial Industries, LLC
 185 East South Street
 Freeland, PA 18224
 Phone: (570) 636-1000
 Fax: (570) 636-3903

Garland Commercial Ranges Ltd
 1177 Kamato Road,
 Mississauga, Ontario
 L4W 1X4 CANADA
 Phone: 905-624-0260
 Fax: 905-624-5669

Enodis UK LTD
 Swallowfield Way,
 Hayes, Middlesex
 UB3 1DQ ENGLAND
 Telephone: 081-561-0433
 Fax: 081-848-0041

Enodis®

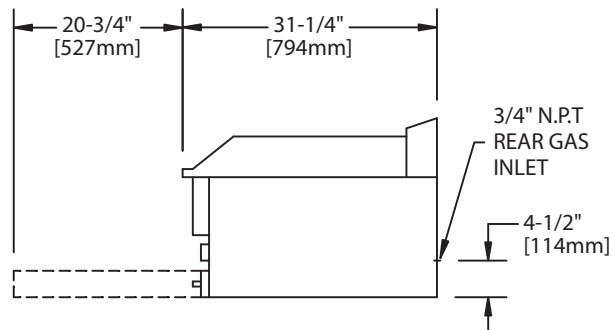
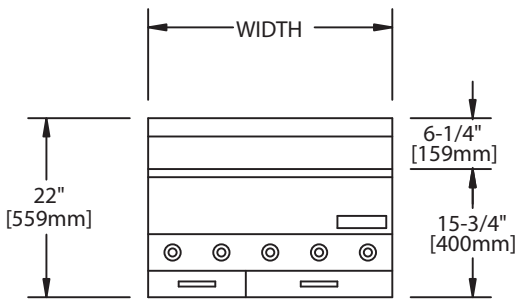
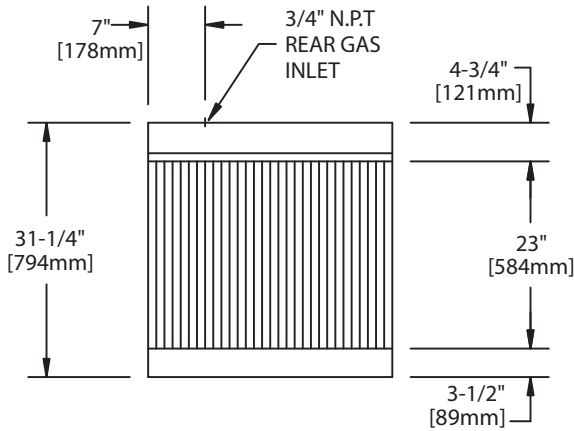
MODEL	Width: In (mm)	Depth: In (mm)	Height: In (mm)	No. of Burners	Total Input (BTU/Hr)	Cu. Ft.	Ship Weight lbs./kg
G80-18B	18 (457)	31-1/4 (794)	22 (559)	3	45,000	14	190/86
G80-24B	24 (610)	31-1/4 (794)	22 (559)	4	60,000	16	220/98
G80-30B	30 (762)	31-1/4 (794)	22 (559)	5	75,000	19	265/120
G80-36B	36 (914)	31-1/4 (794)	22 (559)	6	90,000	24	330/150
G80-48B	48 (1219)	31-1/4 (794)	22 (559)	8	120,000	31	375/170

NOTE: Installation clearance reductions are applicable only where local codes permit.

When ordering specify gas type, natural or propane and elevation if over 2,000 ft (610m).

Operating Manifold Pressure	
Natural	Propane
6"WC (15mbar)	9"WC (22mbar)
Installation Clearances	
Sides	Rear
6" (152mm)	6" (152mm)

Broiling Area		
Model	Width	Depth
G80-18B	17-1/2" (454 mm)	23" (584mm)
G80-24B	23-1/2" (597mm)	23" (584mm)
G80-30B	29-1/2" (749mm)	23" (584mm)
G80-36B	35-1/2" (902mm)	23" (584mm)
G80-48B	47-1/2" (1207mm)	23" (584mm)



Garland products are not approved or authorized for home or residential use, but are intended for commercial applications only. Garland will not provide service, warranty, maintenance or support of any kind other than in commercial applications.

Form# G80 Series (05/07)