



***STANDS***  
***&***  
***CASTERS***

**PARTS LIST**

Toll Free Phone, (US & Canada): (800) 427-6668

Toll Free Fax, (US & Canada): (800) 361-7745

<http://www.garland-group.com>

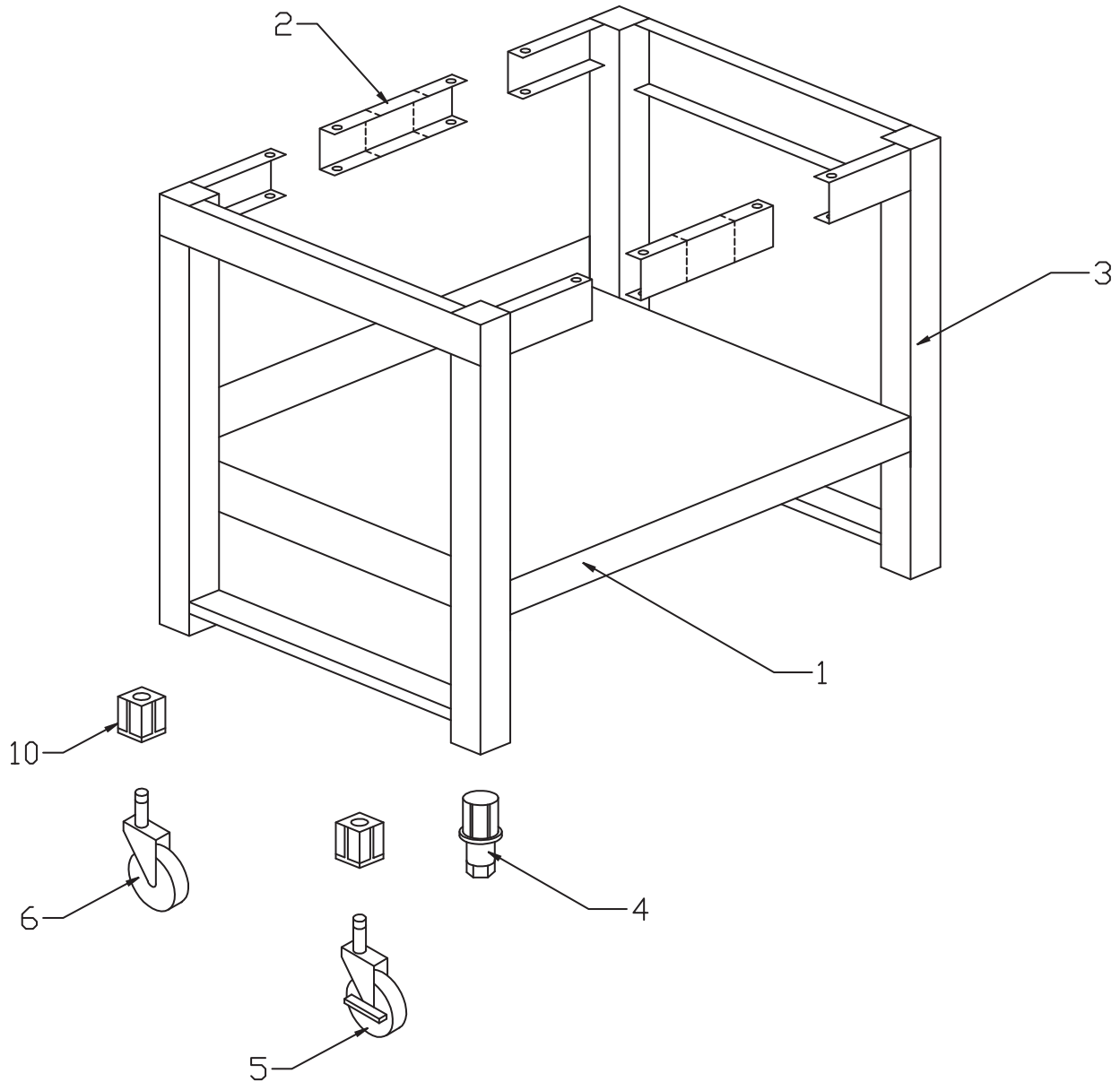




# ***STANDS & CASTERS***

## ***Contents:***

(G24, E24) & (GD ED) Stand Type w/Storage Shelf (15" Wide) .....	Page 5 & 6
Open Stand For Master Heavy Duty Modular Tops - Gas (17" Wide).....	Page 6
(G24, E24) & (GD, ED) Stand Type w/Storage Shelf (18" Wide) .....	Page 7
G80 Series Broiler Counter Stand w/o Storage Shelf (18" Wide).....	Page 9
(G24, E24) & (GD, ED) Stand Type w/Storage Shelf (24" Wide) .....	Page 10
Open Stand For Master Heavy Duty Modular Tops (24" Wide).....	Page 11
G80 Series Broiler Counter Stand w/o Storage Shelf (24" Wide).....	Page 12
Griddle (Electric & Gas) Floor Stands Stainless Steel With Storage Shelf 24" Wide) .....	Page 15
GD & ED Stand Type w/Storage Shelf (30" Wide) .....	Page 16
G80 Series Broiler Counter Stand w/o Storage Shelf (30" Wide).....	Page 17
Open Stand For Master Heavy Duty Modular Tops (34" Wide).....	Page 18
(G24, E24) & (GD, ED) Stand Type w/Storage Shelf (36" Wide) .....	Page 19
G80 Series Broiler Counter Stand w/o Storage Shelf (36" Wide).....	Page 20
Griddle (Electric & Gas) Floor Stands Stainless Steel With Storage Shelf (36" Wide) .....	Page 21
GD, ED Series Stands - Open Design With Storage Shelf (42" Wide) .....	Page 22
G24 & E24 Stand Type w/Storage Shelf (48" Wide) .....	Page 25
G80 Series Broiler Counter Stand w/o Storage Shelf (48" Wide).....	Page 27
Griddle (Electric & Gas) Floor Stands Stainless Steel With Storage Shelf (48" Wide) .....	Page 28
G24 & E24 Stand Type w/o Storage Shelf (60" Wide) .....	Page 31
Griddle Floor Stands Stainless Steel With Storage Shelf (60" Wide) .....	Page 32
G24 & E24 Stand Type w/o Storage Shelf (72" Wide) .....	Page 33
Griddle (Electric & Gas) Floor Stands Stainless Steel With Storage Shelf (72" Wide) .....	Page 34



**GARLAND PARTS IDENTIFICATION**  
**(G24, E24) & (GD, ED) Stand Type W/Storage Shelf (15" Wide)**

Drawing Available On Page# 4

ITEM	PART #	DESCRIPTION	QUANTITY
------	--------	-------------	----------

**G24, E24 Series Stands - Open Design With Storage Shelf**

**CS24-15 STD W/L (CS24-15 STD w/legs)**

1	G0287-015-8	Shelf Assembly 15"	1
2	G0291-015-8	Front & Rear Sleeve Assembly	2
3	G0293-01-8	Side Leg Assembly	2
4	G02954-1	2" Square Foot Insert	4
20*	2689703	Counter Stand Data Plate "CS24"	4

**CS24-15 STD W/C (CS24-15 STD W/Casters)**

1	G0287-015-8	Shelf Assembly 15"	1
2	G0291-015-8	Front & Rear Sleeve Assembly	2
3	G0293-02-8	Leg Assembly with Casters	2
5	<b>3018800</b>	<b>NSF Caster W/Brake</b>	2
6	<b>3018801</b>	<b>NSF Caster W/O Brake</b>	2
10	3018901	2" Plastic Square Insert	4
20*	2689703	Counter Stand Data Plate "CS24"	1

**CS24-15 SS W/L (CS24-15 SS W/Legs)**

1	G0287-015-9	Shelf Assembly 15"	1
2	G0291-015-9	Front & Rear Sleeve Assembly	2
3	G0293-01-9	Side Leg Assembly	2
4	G02954-1	2" Square Foot Insert	4
20*	2689703	Counter Stand Data Plate "CS24"	1

**CS24-15 SS W/C (CS24-15 SS W/Casters)**

1	G0287-015-9	Shelf Assembly 15"	1
2	G0291-015-9	Front & Rear Sleeve Assembly	2
3	G0293-02-9	Side Leg Assembly with Casters	2
5	<b>3018800</b>	<b>NSF Caster W/Brake</b>	2
6	<b>3018801</b>	<b>NSF Caster W/O Brake</b>	2
10	3018901	2" Plastic Square Insert	4
20*	2689703	Counter Stand Data Plate "CS24"	1

**GD & ED Series Stands - Open Design With Storage Shelf**

**CSD 15 (Counter Stand Designer 15")**

1	2259599	Shelf Assembly 15"	1
2	G2714-015-8	Sleeve Assembly	2
3	2259499	Side Leg Assembly	2
20*	2689701	Counter Stand Data Plate "CDS"	1
21*	SK2403	Installation Instructions	1

**CSD 15 W/C (Counter Stand Designer 15" STD W/Casters)**

1	2259599	Shelf Assembly 15"	1
2	G2714-015-8	Sleeve Assembly	2
3	2259499	Side Leg Assembly	2
5	<b>3018800</b>	<b>NSF Caster W/Brake</b>	2
6	<b>3018801</b>	<b>NSF Caster W/O Brake</b>	2
10	3018900	1 1/2" Plastic Square Insert	4
20*	2689701	Counter Stand Data Plate "CDS"	1
21*	SK2403	Installation Instructions	1

**CSD GF (Counter Stand Designer Gasfryer - Only)**

1	2259599	Shelf Assembly 15"	1
2	G2714-015-8	Sleeve Assembly	2
3	2259499	Side Leg Assembly	2
20*	SK2403	Installation Instructions	1

\* NOT ILLUSTRATED

**RECOMMENDED STOCK PARTS**

**GARLAND PARTS IDENTIFICATION**

**Open Stand For Master Heavy Duty Modular Tops - Gas (17" Wide)**

Drawing Available On Page# 4

ITEM	PART #	DESCRIPTION	QUANTITY
<b>CSD-GF S/S 15" (Counter Stand Designer 15" S/S W/Casters – Gas Fryer)</b>			
3	2259496	Side Leg Assembly	2
1	2259593	Shelf Assembly 15" S/S	1
5	<b>3018800</b>	<b>NSF Caster With Brake</b>	2
6	<b>3018801</b>	<b>NSF Caster Without Brake</b>	2
10	3018901	2" Plastic Square Insert	4
2	G2714-015-9	Front & Rear Sleeve Assembly S/S	2
20*	SK2403	Installation Instructions	1
<b>CSD-GF S/S 15" (Counter Stand Designer 15" S/S W/Legs – Gas Fryer)</b>			
10	1236100	1 1/2" Square Foot Insert	4
3	2259497	Side Leg Assembly	2
1	2259593	Shelf Assembly 15" S/S	1
2	G2714-015-9	Front & Rear Sleeve Assembly S/S	2
20*	SK2403	Installation Instructions	1
<b>17" Stand SS (17" Master Stand S/S)</b>			
1	2665596	Shelf Assembly 17"	1
2	G0291-017-9	Front & Rear Sleeve Assembly	2
3	2664598	Side Leg Assembly	2
4	G02954-1	2" Square Foot Insert	4
20*	2689700	Counter Stand Date Plate M Series	4
<b>17" STAND SS W/C (17" Master Stand S/S W/Casters)</b>			
1	2665596	Shelf Assembly 17"	1
2	G0291-017-9	Front & Rear Sleeve Assembly	2
3	2664596	Leg Assembly with Casters	2
5	<b>3018800</b>	<b>NSF Caster W/Brake</b>	2
6	<b>3018801</b>	<b>NSF Caster W/O Brake</b>	2
10	3018901	2" Plastic Square Insert	4
20*	2689700	Counter Stand Date Plate M Series	1

\* NOT ILLUSTRATED

**RECOMMENDED STOCK PARTS**

**GARLAND PARTS IDENTIFICATION**  
**(G24, E24) & (GD, ED) Stand Type W/Storage Shelf (18" Wide)**

Drawing Available On Page# 4

ITEM	PART #	DESCRIPTION	QUANTY
------	--------	-------------	--------

**G24, E24 Series Stands - Open Design With Storage Shelf**

**CS24-18 STD W/L (CS24-18 STD W/Legs)**

1	G0287-018-8	Shelf Assembly 18"	1
2	G0291-018-8	Front & Rear Sleeve Assembly	2
3	G0293-01-8	Side Leg Assembly	2
4	G02954-1	2" Square Foot Insert	4
20*	2689703	Counter Stand Data Plate "CS24"	4

**CS24-18 STD W/C (CS24-18 STD W/Casters)**

1	G0287-018-8	Shelf Assembly 18"	1
2	G0291-018-8	Front & Rear Sleeve Assembly	2
3	G0293-02-8	Leg Assembly with Casters	2
5	<b>3018800</b>	<b>NSF Caster W/Brake</b>	2
6	<b>3018801</b>	<b>NSF Caster W/O Brake</b>	2
10	3018901	2" Plastic Square Insert	4
20*	2689703	Counter Stand Data Plate "CS24"	1

**CS24-18 SS W/L (CS24-18 SS W/Legs)**

1	G0287-018-9	Shelf Assembly 18" SS	1
2	G0291-018-9	Front & Rear Sleeve Assembly	2
3	G0293-01-9	Side Leg Assembly	2
4	G02954-1	2" Square Foot Insert	4
20*	2689703	Counter Stand Data Plate "CS24"	1

**CS24-18 SS W/C (CS24-18 SS W/Casters)**

1	G0287-018-9	Shelf Assembly 18" SS	1
2	G0291-018-9	Front & Rear Sleeve Assembly	2
3	G0293-02-9	Side Leg Assembly with Casters	2
5	<b>3018800</b>	<b>NSF Caster W/Brake</b>	2
6	<b>3018801</b>	<b>NSF Caster W/O Brake</b>	2
10	3018901	2" Plastic Square Insert	4
20*	2689703	Counter Stand Data Plate "CS24"	1

**GD, ED Series Stands - Open Design With Storage Shelf**

**CSD 18 (Counter Stand Designer 18")**

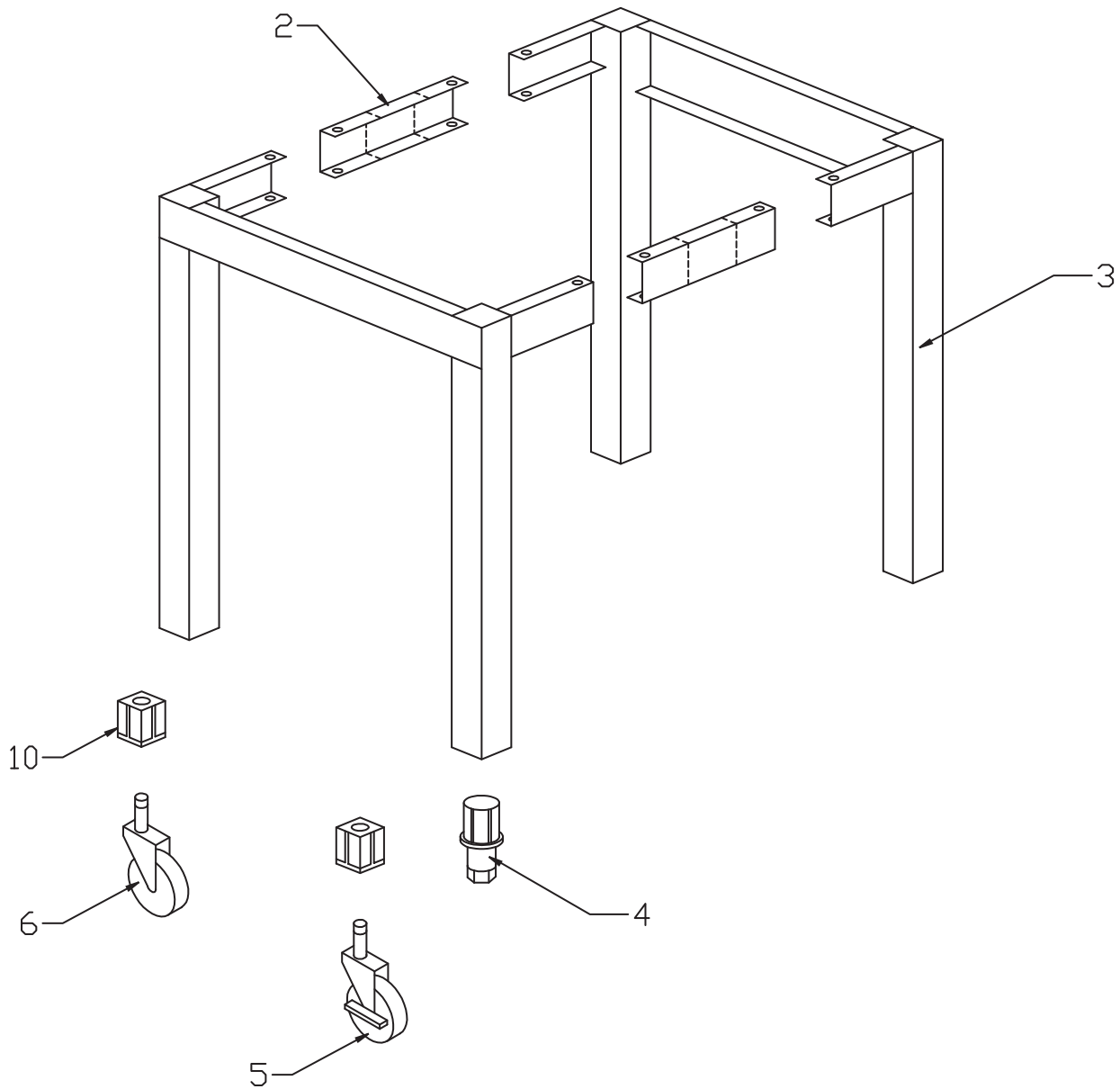
1	2259598	Shelf Assembly 18"	1
2	G2714-018-8	Sleeve Assembly	2
3	2259499	Side Leg Assembly	2
20*	2689701	Counter Stand Data Plate "CDS"	1
21*	SK2403	Installation Instructions	1

**CSD 18 W/C (Counter Stand Designer 18" STD W/Casters)**

1	2259598	Shelf Assembly 18"	1
2	G2714-018-8	Sleeve Assembly	2
3	2259499	Side Leg Post Assembly	2
5	<b>3018800</b>	<b>NSF Caster W/Brake</b>	2
6	<b>3018801</b>	<b>NSF Caster W/O Brake</b>	2
10	3018900	1 1/2" Plastic Square Insert	4
20*	2689701	Counter Stand Data Plate "CDS"	1
21*	SK2403	Installation Instructions	1

\* NOT ILLUSTRATED

**RECOMMENDED STOCK PARTS**





**GARLAND PARTS IDENTIFICATION**  
**G80 Series Broiler Counter Stand W/o Storage Shelf (18" Wide)**  
**Drawing Available On Page# 8**

ITEM	PART #	DESCRIPTION	QUANTITY
<b>CS80 18B Legs (CS80 18B STD W/Legs)</b>			
2	G0291-018-8	Front & Rear Sleeve Assembly	2
3	G02682-05-8	Side Leg Assembly	2
4	G02954-1	2" Square Foot Insert	4
20*	2689702	Counter Stand Data Plate "CS80"	1
21*	SK887	Installation Instructions	1
<b>CS80 18B W/C (CS80 18B STD W/Casters)</b>			
2	G0291-018-8	Front & Rear Sleeve Assembly	2
3	G02682-02-8	Side Leg Assembly	2
5	<b>3018800</b>	<b>NSF Caster W/Brake</b>	2
6	<b>3018801</b>	<b>NSF Caster W/O Brake</b>	2
10	3018901	2" Plastic Square Insert	4
20*	2689702	Counter Stand Data Plate "CS80"	1
21*	SK887	Installation Instructions	1
<b>CS80 18BSS Legs (CS80 18B S/S W/Legs)</b>			
2	G0291-018-9	Front & Rear Sleeve Assembly	2
3	G02682-03-9	Side Leg Assembly	2
4	G02954-1	2" Square Foot Insert	4
20*	2689702	Counter Stand Data Plate "CS80"	1
21*	SK887	Installation Instructions	1
<b>CS80 18BSS W/C (CS80 18B S/S W/Casters)</b>			
2	G0291-018-9	Front & Rear Sleeve Assembly	2
3	G02682-02-9	Side Leg Assembly	2
5	<b>3018800</b>	<b>NSF Caster W/Brake</b>	2
6	<b>3018801</b>	<b>NSF Caster W/O Brake</b>	2
10	3018901	2" Plastic Square Insert	4
20*	2689702	Counter Stand Data Plate "CS80"	1
21*	SK887	Installation Instructions	1

\* NOT ILLUSTRATED

**RECOMMENDED STOCK PARTS**

**GARLAND PARTS IDENTIFICATION**  
**(G24, E24) & (GD, ED) Stand Type W/storage Shelf (24" Wide)**

Drawing Available On Page# 4

ITEM	PART #	DESCRIPTION	QUANTITY
------	--------	-------------	----------

**G24, E24 Series Stands – Open Design With Storage Shelf**

**CS24-24 STD W/L (CS24-24 STD W/Legs)**

1	G0287-024-8	Shelf Assembly 24"	1
2	G0291-024-8	Front & Rear Sleeve Assembly	2
3	G0293-01-8	Side Leg Assembly	2
4	G02954-1	2" Square Foot Insert	4
20*	2689703	Counter Stand Data Plate "CS24"	4

**CS24-24 STD W/C (CS24-24 STD W/Casters)**

1	G0287-024-8	Shelf Assembly 24"	1
2	G0291-024-8	Front & Rear Sleeve Assembly	2
3	G0293-02-8	Leg Assembly with Casters	2
5	<b>3018800</b>	<b>NSF Caster W/Brake</b>	2
6	<b>3018801</b>	<b>NSF Caster W/O Brake</b>	2
7	3018901	2" Plastic Square Insert	4
20*	2689703	Counter Stand Data Plate "CS24"	1

**CS24-24 SS W/L (CS24-24 SS W/Legs)**

1	G0287-024-9	Shelf Assembly 24" SS	1
2	G0291-024-9	Front & Rear Sleeve Assembly	2
3	G0293-01-9	Side Leg Assembly	2
4	G02954-1	2" Square Foot Insert	4
20*	2689703	Counter Stand Data Plate "CS24"	1

**CS24-24 SS W/C (CS24-24 SS W/Casters)**

1	G0287-024-9	Shelf Assembly 24" SS	1
2	G0291-024-9	Front & Rear Sleeve Assembly	2
3	G0293-02-9	Side Leg Assembly with Casters	2
5	<b>3018800</b>	<b>NSF Caster W/Brake</b>	2
6	<b>3018801</b>	<b>NSF Caster W/O Brake</b>	2
7	3018901	2" Plastic Square Insert	4
20*	2689703	Counter Stand Data Plate "CS24"	1

**GD, ED Series Stands - Open Design With Storage Shelf**

**CSD 24 (Counter Stand Designer 24")**

1	2259597	Shelf Assembly 24"	1
2	G2714-024-8	Sleeve Assembly	2
3	2259499	Side Leg Assembly	2
20*	2689701	Counter Stand Data Plate "CDS"	1
21*	SK2403	Installation Instructions	1

**CSD 24 W/C (Counter Stand Designer 24" W/Caster)**

1	2259597	Shelf Assembly 24"	1
2	G2714-024-8	Sleeve Assembly	2
3	2259499	Side Leg Assembly	2
5	<b>3018800</b>	<b>NSF Caster W/Brake</b>	2
6	<b>3018801</b>	<b>NSF Caster W/O Brake</b>	2
7	3018900	1 1/2" Plastic Square Insert	4
20*	2689701	Counter Stand Data Plate "CDS"	1
21*	SK2403	Installation Instructions	1

\* NOT ILLUSTRATED

**RECOMMENDED STOCK PARTS**

## GARLAND PARTS IDENTIFICATION

### Open Stand For Master Heavy Duty Modular Tops (24" Wide)

Drawing Available On Page# 4

ITEM	PART #	DESCRIPTION	QUANTITY
<b>24 "Stand SS (24" Master Stand S/S)</b>			
1	2665595	Shelf Assembly 24"	1
2	G0291-024-9	Front & Rear Sleeve Assembly	2
3	2664598	Side Leg Assembly	2
4	G02954-1	2" Square Foot Insert	4
20*	2689700	Counter Stand Date Plate M Series	4
<b>24" stand SS W/C (24" Master Stand S/S W/Casters)</b>			
1	2665595	Shelf Assembly 24"	1
2	G0291-024-9	Front & Rear Sleeve Assembly	2
3	2664596	Leg Assembly with Casters	2
5	<b>3018800</b>	<b>NSF Caster W/Brake</b>	2
6	<b>3018801</b>	<b>NSF Caster W/O Brake</b>	2
7	3018901	2" Plastic Square Insert	4
20*	2689700	Counter Stand Date Plate M Series	1

\* NOT ILLUSTRATED

**RECOMMENDED STOCK PARTS**

**GARLAND PARTS IDENTIFICATION**  
**G80 Series Broiler Counter Stand W/O Storage Shelf (24" Wide)**

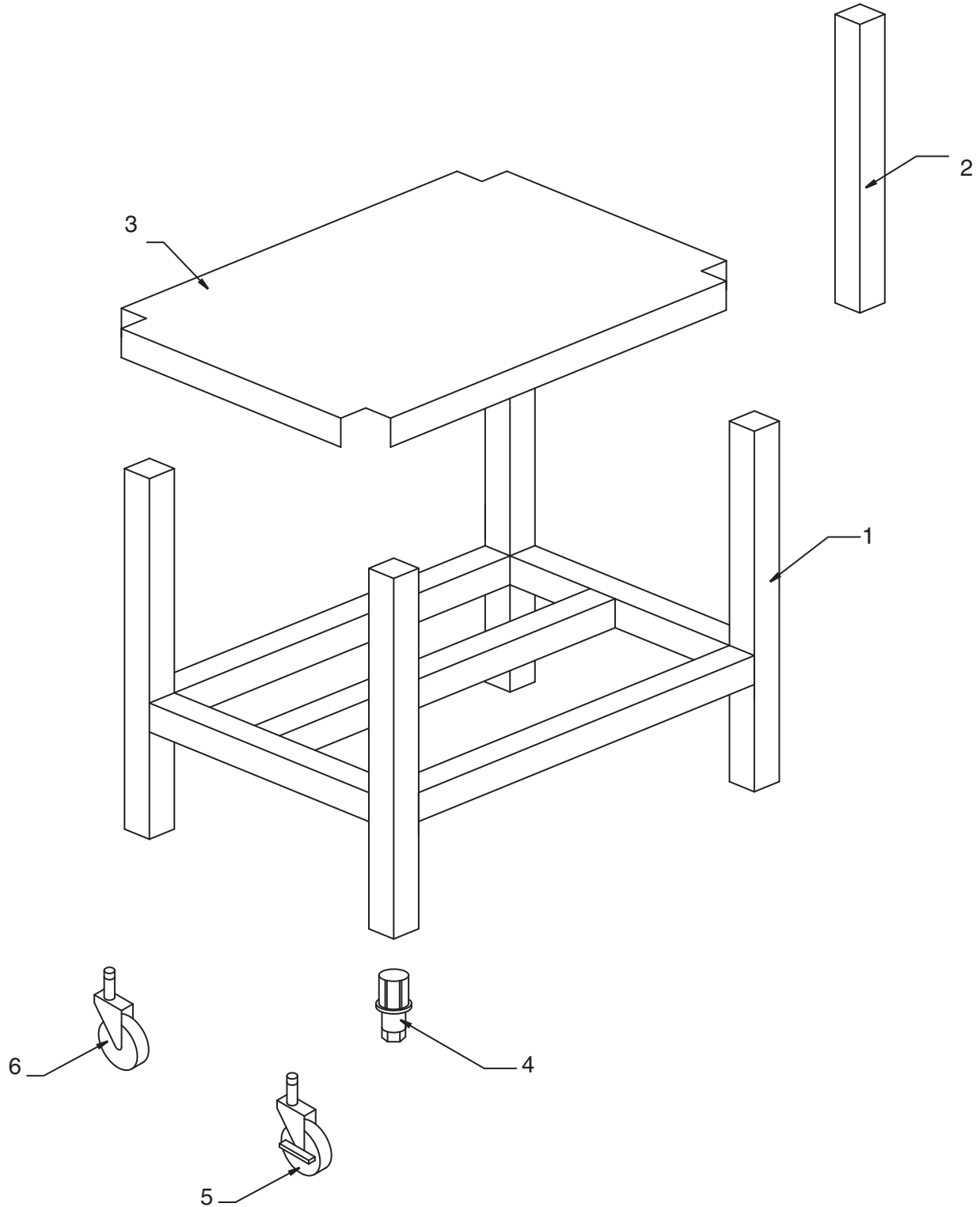
Drawing Available On Page# 8

ITEM	PART #	DESCRIPTION	QUANTITY
<b>CS80 24B Legs (CS80 24B STD W/Legs)</b>			
2	G0291-024-8	Front & Rear Sleeve Assembly	2
3	G02682-05-8	Side Leg Assembly	2
4	G02954-1	2" Square Foot Insert	4
20*	2689702	Counter Stand Data Plate "CS80"	1
21*	SK887	Installation Instructions	1
<b>CS80 24B W/C (CS80 24B STD W/Casters)</b>			
2	G0291-024-8	Front & Rear Sleeve Assembly	2
3	G02682-02-8	Side Leg Assembly	2
5	<b>3018800</b>	<b>NSF Caster W/Brake</b>	2
6	<b>3018801</b>	<b>NSF Caster W/O Brake</b>	2
7	3018901	2" Plastic Square Insert	4
20*	2689702	Counter Stand Data Plate "CS80"	1
21*	SK887	Installation Instructions	1
<b>CS80 24BSS Legs (CS80 24B S/S W/Legs)</b>			
2	G0291-024-9	Front & Rear Sleeve Assembly	2
3	G02682-03-9	Side Leg Assembly	2
4	G02954-1	2" Square Foot Insert	4
20*	2689702	Counter Stand Data Plate "CS80"	1
21*	SK887	Installation Instructions	1
<b>CS80 24BSS W/C (CS80 24B S/S W/Casters)</b>			
2	G0291-024-9	Front & Rear Sleeve Assembly	2
3	G02682-02-9	Side Leg Assembly	2
5	<b>3018800</b>	<b>NSF Caster W/Brake</b>	2
6	<b>3018801</b>	<b>NSF Caster W/O Brake</b>	2
7	3018901	2" Plastic Square Insert	4
20*	2689702	Counter Stand Data Plate "CS80"	1
21*	SK887	Installation Instructions	1

\* NOT ILLUSTRATED

**RECOMMENDED STOCK PARTS**

## ***NOTES***



Griddle Floor Stand Type.dwg

## GARLAND PARTS IDENTIFICATION

Griddle (Electric & Gas) Floor Stands Stainless Steel With Storage Shelf (24" Wide)

Drawing Available On Page# 14

ITEM	PART #	DESCRIPTION	QUANTITY	DATE
<b>SCG-24SS (STAND (E) CG 24" SS W/Legs)</b>				
1	3098096	Stand Assembly -24 W/O Casters	1	From 6/7/02
2	3073798	Griddle Leg Assembly RT Bullet	2	Up to 6/7/02
	3073898	Griddle Leg Assembly LT Bullet	2	
3	3065199	Stand Shelf Assembly 24"	1	Up to 6/7/02
	3098302			From 6/7/02
4	G02954-1	2" Square Foot Insert	4	
<b>SCG-24SSC (STAND (E) CG 24" SS W/Casters)</b>				
1	3098097	Stand Assembly -24 W/ Casters	1	From 6/7/02
2	3073799	Griddle Leg Assembly RT Bullet	2	Up to 6/7/02
	3073899	Griddle Leg Assembly LT Bullet	2	
3	3065199	Stand Shelf Assembly 24"	1	Up to 6/7/02
	3098302			From 6/7/02
5	<b>2442000</b>	<b>NSF Caster W/Brake</b>	2	
6	<b>2442100</b>	<b>NSF Caster W/O Brake</b>	2	

\* NOT ILLUSTRATED

**RECOMMENDED STOCK PARTS**

**GARLAND PARTS IDENTIFICATION**  
**GD & ED Stand Type W/Storage Shelf (30" Wide)**  
**Drawing Available On Page# 4**

ITEM	PART #	DESCRIPTION	QUANTITY
<b>CSD 30 (Counter Stand Designer 30")</b>			
1	2259596	Shelf Assembly 30"	1
2	G2714-030-8	Sleeve Assembly	2
3	2259499	Side Leg Assembly	2
20*	2689701	Counter Stand Data Plate "CDS"	1
21*	SK2403	Installation Instructions	1
<b>CSD 30 W/C (Counter Stand Designer 30" W/Casters)</b>			
1	2259596	Shelf Assembly 30"	1
2	G2714-030-8	Sleeve Assembly	2
3	2259499	Side Leg Assembly	2
5	<b>3018800</b>	<b>NSF Caster W/Brake</b>	2
6	<b>3018801</b>	<b>NSF Caster W/O Brake</b>	2
7	3018900	1 1/2" Plastic Square Insert	4
20*	2689701	Counter Stand Data Plate "CDS"	1
21*	SK2403	Installation Instructions	1

\* NOT ILLUSTRATED

**RECOMMENDED STOCK PARTS**



**GARLAND PARTS IDENTIFICATION**  
**G80 Series Broiler Counter Stand W/o Storage Shelf (30" Wide)**

Drawing Available On Page# 8

ITEM	PART #	DESCRIPTION	QUANTITY
<b>CS80 30B Legs (CS80 30B STD W/Legs)</b>			
2	G0291-030-8	Front & Rear Sleeve Assembly	2
3	G02682-05-8	Side Leg Assembly	2
4	G02954-1	2" Square Foot Insert	4
20*	2689702	Counter Stand Data Plate "CS80"	1
21*	SK887	Installation Instructions	1
<b>CS80 30B W/C (CS80 30B STD W/Casters)</b>			
2	G0291-030-8	Front & Rear Sleeve Assembly	2
3	G02682-02-8	Side Leg Assembly	2
5	<b>3018800</b>	<b>NSF Caster W/Brake</b>	2
6	<b>3018801</b>	<b>NSF Caster W/O Brake</b>	2
7	3018901	2" Plastic Square Insert	4
20*	2689702	Counter Stand Data Plate "CS80"	1
21*	SK887	Installation Instructions	1
<b>CS80 30BSS Legs (CS80 30B S/S W/Legs)</b>			
2	G0291-030-9	Front & Rear Sleeve Assembly	2
3	G02682-03-9	Side Leg Assembly	2
4	G02954-1	2" Square Foot Insert	4
20*	2689702	Counter Stand Data Plate "CS80"	1
21*	SK887	Installation Instructions	1
<b>CS80 30BSS W/C (CS80 30B S/S W/Casters)</b>			
2	G0291-030-9	Front & Rear Sleeve Assembly	2
3	G02682-02-9	Side Leg Assembly	2
5	<b>3018800</b>	<b>NSF Caster W/Brake</b>	2
6	<b>3018801</b>	<b>NSF Caster W/O Brake</b>	2
7	3018901	2" Plastic Square Insert	4
20*	2689702	Counter Stand Data Plate "CS80"	1
21*	SK887	Installation Instructions	1

\* NOT ILLUSTRATED

**RECOMMENDED STOCK PARTS**

## GARLAND PARTS IDENTIFICATION

Open Stand For Master Heavy Duty Modular Tops (34" Wide)

Drawing Available On Page# 4

ITEM	PART #	DESCRIPTION	QUANTITY
<b>34" STAND SS (34" MASTER STAND S/S)</b>			
1	2665595	Shelf Assembly 34"	1
2	G0291-034-9	Front & Rear Sleeve Assembly	2
3	2664598	Side Leg Assembly	2
4	G02954-1	2" Square Foot Insert	4
20*	2689700	Counter Stand Date Plate M Series	4
<b>34" STAND SS W/C (34" MASTER STAND S/S W/CASTERS)</b>			
1	2665594	Shelf Assembly 34"	1
2	G0291-034-9	Front & Rear Sleeve Assembly	2
3	2664596	Leg Assembly with Casters	2
5	<b>3018800</b>	<b>NSF Caster W/Brake</b>	2
6	<b>3018801</b>	<b>NSF Caster W/O Brake</b>	2
7	3018901	2" Plastic Square Insert	4
20*	2689700	Counter Stand Date Plate M Series	1

\* NOT ILLUSTRATED

**RECOMMENDED STOCK PARTS**

**GARLAND PARTS IDENTIFICATION**  
**(G24, E24) & (GD, ED) Stand Type W/Storage Shelf (36" Wide)**

Drawing Available On Page# 4

ITEM	PART #	DESCRIPTION	QUANTITY
------	--------	-------------	----------

**G24, E24 Series Stands - Open Design With Storage Shelf**

**CS24-36 STD W/Legs**

1	G0287-036-8	Shelf Assembly 36"	1
2	G0291-036-8	Front & Rear Sleeve Assembly	2
3	G0293-01-8	Side Leg Assembly	2
4	G02954-1	2" Square Foot Insert	4
20*	2689703	Counter Stand Data Plate "CS24"	4

**CS24-36 STD W/Casters**

1	G0287-036-8	Shelf Assembly 36"	1
2	G0291-036-8	Front & Rear Sleeve Assembly	2
3	G0293-02-8	Leg Assembly with Casters	2
5	<b>3018800</b>	<b>NSF Caster W/Brake</b>	2
6	<b>3018801</b>	<b>NSF Caster W/O Brake</b>	2
7	3018901	2" Plastic Square Insert	4
20*	2689703	Counter Stand Data Plate "CS24"	1

**CS24-36 SS W/Legs**

1	G0287-036-9	Shelf Assembly 36" SS	1
2	G0291-036-9	Front & Rear Sleeve Assembly	2
3	G0293-01-9	Side Leg Assembly	2
4	G02954-1	2" Square Foot Insert	4
20*	2689703	Counter Stand Data Plate "CS24"	1

**CS24-36 SS W/Casters**

1	G0287-036-9	Shelf Assembly 36" SS	1
2	G0291-036-9	Front & Rear Sleeve Assembly	2
3	G0293-02-9	Side Leg Assembly with Casters	2
5	<b>3018800</b>	<b>NSF Caster W/Brake</b>	2
6	<b>3018801</b>	<b>NSF Caster W/O Brake</b>	2
7	3018901	2" Plastic Square Insert	4
20*	2689703	Counter Stand Data Plate "CS24"	1

**GD, ED Series Stands - Open Design With Storage Shelf**

**CSD 36 (Counter Stand Designer 36")**

1	2259595	Shelf Assembly 36"	1
2	G2714-036-8	Sleeve Assembly	2
3	2259499	Side Leg Assembly	2
20*	2689701	Counter Stand Data Plate "CDS"	1
21*	SK2403	Installation Instructions	1

**CSD 36 W/C (Counter Stand Designer 36" W/Casters)**

1	2259595	Shelf Assembly 36"	1
2	G2714-036-8	Sleeve Assembly	2
3	2259499	Side Leg Assembly	2
5	<b>3018800</b>	<b>NSF Caster W/Brake</b>	2
6	<b>3018801</b>	<b>NSF Caster W/O Brake</b>	2
7	3018900	1 1/2" Plastic Square Insert	4
20*	2689701	Counter Stand Data Plate "CDS"	1
21*	SK2403	Installation Instructions	1

\* NOT ILLUSTRATED

**RECOMMENDED STOCK PARTS**

**GARLAND PARTS IDENTIFICATION**  
**G80 Series Broiler Counter Stand W/o Storage Shelf (36" Wide)**

Drawing Available On Page# 8

ITEM	PART #	DESCRIPTION	QUANTITY
<b>CS80 36B Legs (CS80 36B STD W/Legs)</b>			
2	G0291-036-8	Front & Rear Sleeve Assembly	2
3	G02682-05-8	Side Leg Assembly	2
4	G02954-1	2" Square Foot Insert	4
20*	2689702	Counter Stand Data Plate "CS80"	1
21*	SK887	Installation Instructions	1
<b>CS80 36B W/C (CS80 36B STD W/Casters)</b>			
2	G0291-036-8	Front & Rear Sleeve Assembly	2
3	G02682-02-8	Side Leg Assembly	2
5	<b>3018800</b>	<b>NSF Caster W/Brake</b>	2
6	<b>3018801</b>	<b>NSF Caster W/O Brake</b>	2
7	3018901	2" Plastic Square Insert	4
20*	2689702	Counter Stand Data Plate "CS80"	1
21*	SK887	Installation Instructions	1
<b>CS80 36BSS Legs (CS80 36B S/S W/Legs)</b>			
2	G0291-036-9	Front & Rear Sleeve Assembly	2
3	G02682-03-9	Side Leg Assembly	2
4	G02954-1	2" Square Foot Insert	4
20*	2689702	Counter Stand Data Plate "CS80"	1
21*	SK887	Installation Instructions	1
<b>CS80 36BSS W/C (CS80 36B S/S W/Casters)</b>			
2	G0291-036-9	Front & Rear Sleeve Assembly	2
3	G02682-02-9	Side Leg Assembly	2
5	<b>3018800</b>	<b>NSF Caster W/Brake</b>	2
6	<b>3018801</b>	<b>NSF Caster W/O Brake</b>	2
7	3018901	2" Plastic Square Insert	4
20*	2689702	Counter Stand Data Plate "CS80"	1
21*	SK887	Installation Instructions	1

\* NOT ILLUSTRATED

**RECOMMENDED STOCK PARTS**

## GARLAND PARTS IDENTIFICATION

### Griddle (Electric & Gas) Floor Stands Stainless Steel With Storage Shelf (36" Wide)

Drawing Available On Page# 14

ITEM	PART #	DESCRIPTION	QUANTITY	DATE
<b>SCG-36SS (Stand (E)CG 36" SS W/Legs)</b>				
1	3098094	Stand Assembly -36 W/O Casters	1	From 6/7/02
2	3073798	Griddle Leg Assembly RT Bullet	2	Up to 6/7/02
	3073898	Griddle Leg Assembly LT Bullet	2	
3	3065198	Stand Shelf Assembly 36"	1	Up to 6/7/02
	3098303			From 6/7/02
4	G02954-1	2" Square Foot Insert	4	
<b>SCG-36SSC (Stand (E)CG 36" SS W/Casters)</b>				
1	3098095	Stand Assembly -36 W/ Casters	1	From 6/7/02
2	3073799	Griddle Leg Assembly RT Bullet	2	Up to 6/7/02
	3073899	Griddle Leg Assembly LT Bullet	2	
3	3065198	Stand Shelf Assembly 36"	1	Up to 6/7/02
	3098303			From 6/7/02
5	<b>2442000</b>	<b>NSF Swivel Caster W/Brake</b>	2	
6	<b>2442100</b>	<b>NSF Swivel Caster W/O Brake</b>	2	

\* NOT ILLUSTRATED

**RECOMMENDED STOCK PARTS**

## GARLAND PARTS IDENTIFICATION

GD, ED Series Stands - Open Design With Storage Shelf (42" Wide)

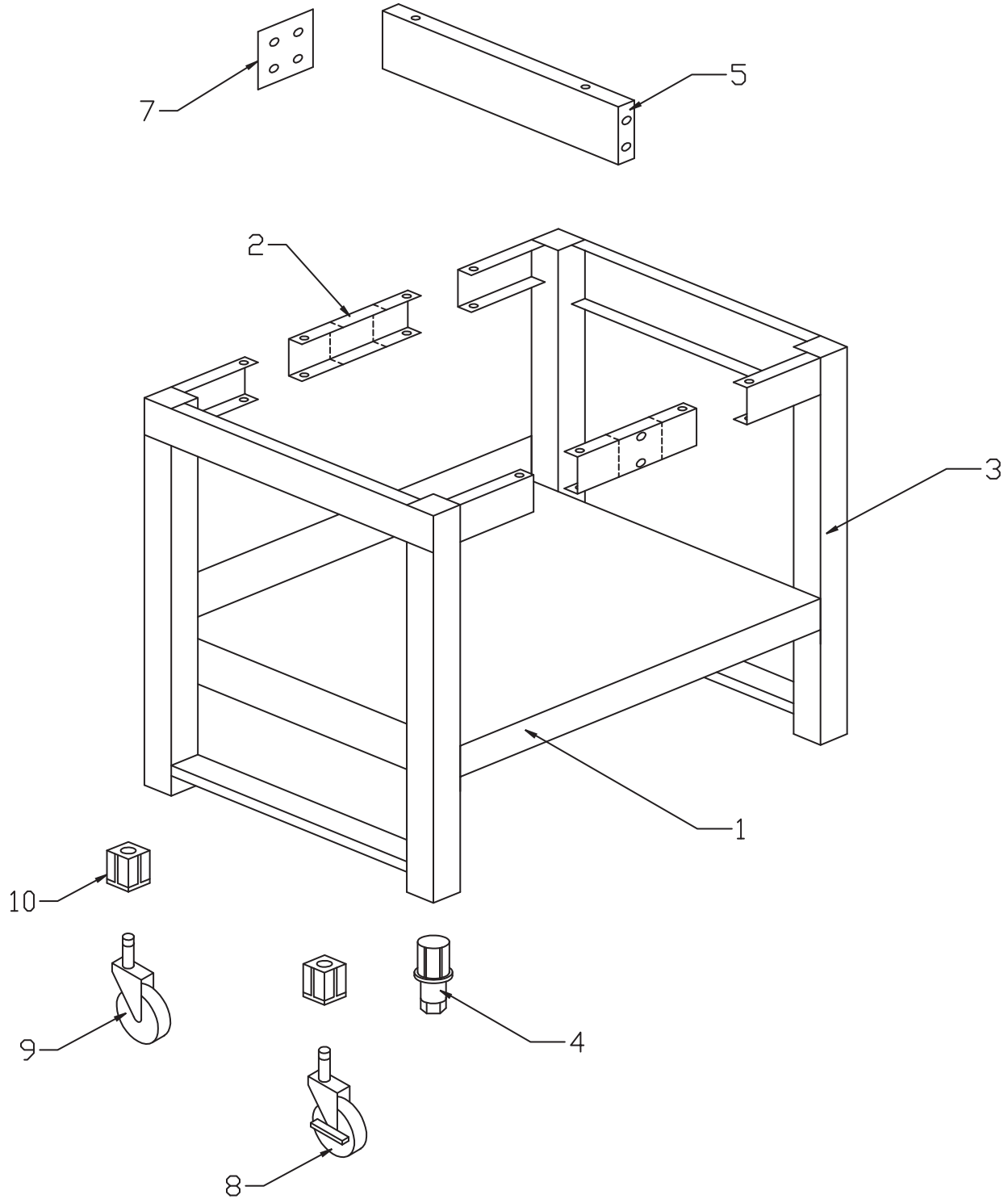
Drawing Available On Page# 4

ITEM	PART #	DESCRIPTION	QUANTITY
<b>CSD 42 (Counter Stand Designer 42")</b>			
1	2259594	Shelf Assembly 42"	1
2	G2714-042-8	Sleeve Assembly	2
3	2259499	Side Leg Assembly	2
20*	2689701	Counter Stand Data Plate "CDS"	1
21*	SK2403	Installation Instructions	1
<b>CSD 42 W/C (Counter Stand Designer 42" W/Casters)</b>			
1	2259594	Shelf Assembly 42"	1
2	G2714-042-8	Sleeve Assembly	2
3	2259499	Side Leg Assembly	2
5	<b>3018800</b>	<b>NSF Caster W/Brake</b>	2
6	<b>3018801</b>	<b>NSF Caster W/O Brake</b>	2
10	3018900	1 1/2" Plastic Square Insert	4
20*	2689701	Counter Stand Data Plate "CDS"	1
21*	SK2403	Installation Instructions	1

\* NOT ILLUSTRATED

**RECOMMENDED STOCK PARTS**

## ***NOTES***





**GARLAND PARTS IDENTIFICATION**  
**G24 & E24 Stand Type W/storage Shelf (48" Wide)**

Drawing Available On Page# 24

ITEM	PART #	DESCRIPTION	QUANTITY	DATE
<b>CS24-48 STD W/L (Counter Stand 24-48 STD W/Legs)</b>				
1	G0287-048-8	Shelf Assembly 48"	1	
2	G0291-048-8	Front & Rear Sleeve Assembly	2	
3	G0293-01-8	Side Leg Assembly	2	
4	G02954-1	2" Square Foot Insert	4	
5	G01024-1-8	Top Brace	2	
7	G01025-1-6	Top Brace Bracket	4	Up to 6/19/01
	G02683-1-6	Top Centre Brace Bracket	2	From 6/19/01
20*	2689703	Counter Stand Data Plate "CS24"	4	

**CS24-48 STD W/Casters**

1	G0287-048-8	Shelf Assembly 48"	1	
2	G0291-048-8	Front & Rear Sleeve Assembly	2	
3	G0293-02-8	Leg Assembly with Casters	2	
5	G01024-1-8	Top Brace	2	
7	G01025-1-6	Top Brace Bracket	4	Up to 6/19/01
	G02683-1-6	Top Centre Brace Bracket	2	From 6/19/01
8	<b>3018800</b>	<b>NSF Caster W/Brake</b>	2	
9	<b>3018801</b>	<b>NSF Caster W/O Brake</b>	2	
10	3018901	2" Plastic Square Insert	4	
20*	2689703	Counter Stand Data Plate "CS24"	1	

**CS24-48 SS W/Legs**

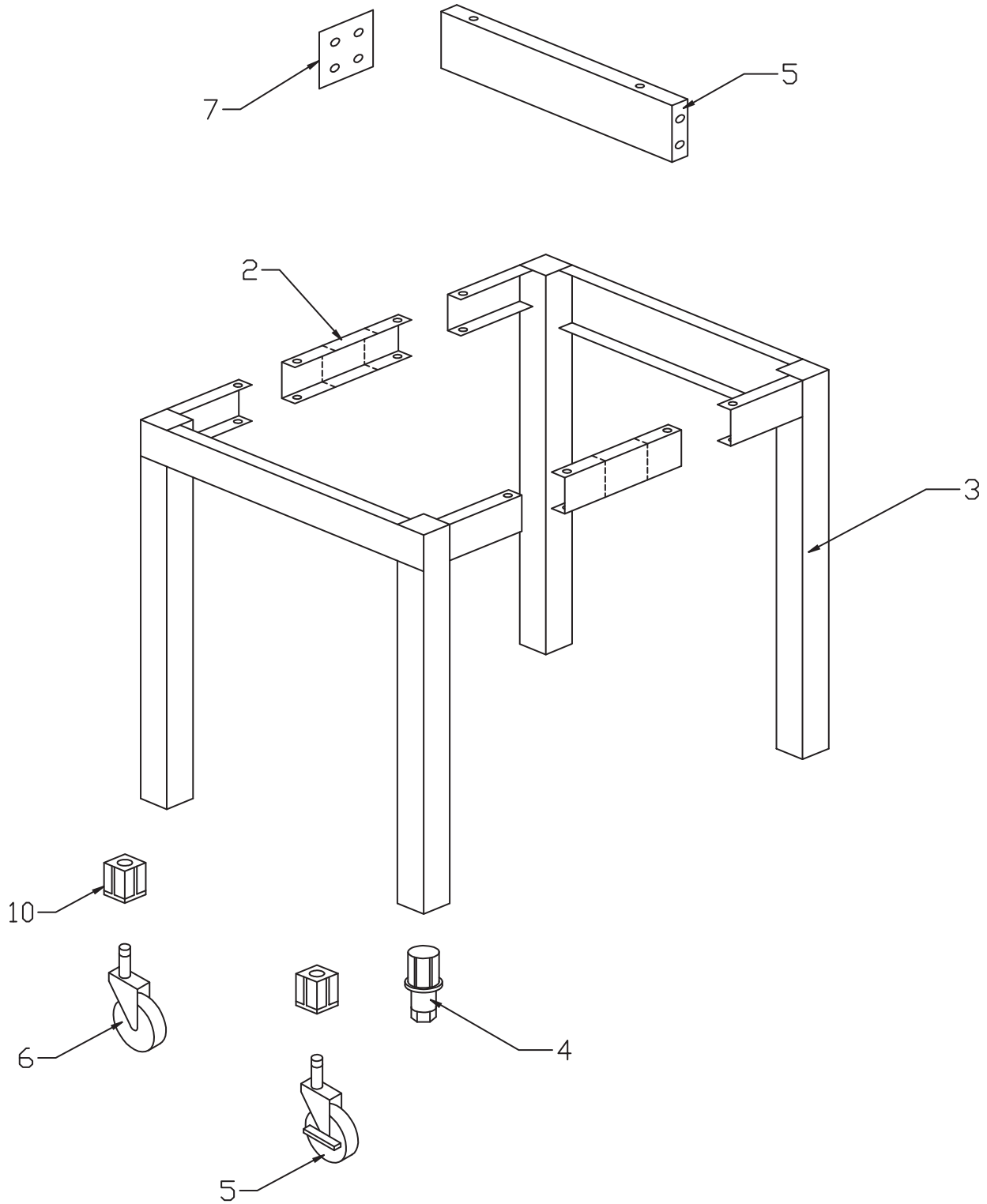
1	G0287-048-9	Shelf Assembly 48" SS	1	
2	G0291-048-9	Front & Rear Sleeve Assembly	2	
3	G0293-01-9	Side Leg Assembly	2	
4	G02954-1	2" Square Foot Insert	4	
5	G01024-1-9	Sleeve Support	2	
7	G01025-1-9	Support Holder	4	Up to 6/19/01
	G02683-1-6	Top Centre Brace Bracket	2	From 6/19/01
20*	2689703	Counter Stand Data Plate "CS24"	1	

**CS24-48 SS W/Casters**

1	G0287-048-9	Shelf Assembly 48" SS	1	
2	G0291-048-9	Front & Rear Sleeve Assembly	2	
3	G0293-02-9	Side Leg Assembly with Casters	2	
5	G01024-1-9	Sleeve Support	2	
7	G01025-1-9	Support Holder	4	Up to 6/19/01
	G02683-1-6	Top Centre Brace Bracket	2	From 6/19/01
8	<b>3018800</b>	<b>NSF Caster W/Brake</b>	2	
9	<b>3018801</b>	<b>NSF Caster W/O Brake</b>	2	
10	3018901	2" Plastic Square Insert	4	
20*	2689703	Counter Stand Data Plate "CS24"	1	

\* NOT ILLUSTRATED

**RECOMMENDED STOCK PARTS**



## GARLAND PARTS IDENTIFICATION

### G80 Series Broiler Counter Stand W/o Storage Shelf (48" Wide)

Drawing Available On Page# 24

ITEM	PART #	DESCRIPTION	QUANTITY	DATE
<b>CS80 48B Legs (CS80 48B STD W/Legs)</b>				
2	G0291-048-8	Front & Rear Sleeve Assembly	2	
3	G02682-05-8	Side Leg Assembly	2	
4	G02954-1	2" Square Foot Insert	4	
5	G02631-1-8	Top Centre Brace	2	
7	G02683-1-6	Top Centre Brace Bracket	2	
20*	2689702	Counter Stand Data Plate "CS80"	1	
21*	SK887	Installation Instructions	1	
<b>CS80 48B W/C (CS80 48B STD W/Casters)</b>				
2	G0291-048-8	Front & Rear Sleeve Assembly	2	
3	G02682-02-8	Side Leg Assembly	2	
5	G02631-1-8	Top Centre Brace	2	
7	G02683-1-6	Top Centre Brace Bracket	2	
8	<b>3018800</b>	<b>NSF Caster W/Brake</b>	2	
9	<b>3018801</b>	<b>NSF Caster W/O Brake</b>	2	
10	3018901	2" Plastic Square Insert	4	
20*	2689702	Counter Stand Data Plate "CS80"	1	
21*	SK887	Installation Instructions	1	
<b>CS80 48BSS Legs (CS80 48B S/S W/Legs)</b>				
2	G0291-048-9	Front & Rear Sleeve Assembly	2	
3	G02682-03-9	Side Leg Assembly	2	
4	G02954-1	2" Square Foot Insert	4	
5	G02631-1-9	Top Centre Brace	2	
7	G02683-1-6	Top Centre Brace Bracket	2	Up to 6/19/01
	G02683-1-9	Top Centre Brace Bracket		From 6/19/01
20*	2689702	Counter Stand Data Plate "CS80"	1	
21*	SK887	Installation Instructions	1	
<b>CS80 48BSS W/C (CS80 48B S/S W/Casters)</b>				
2	G0291-048-9	Front & Rear Sleeve Assembly	2	
3	G02682-02-9	Side Leg Assembly	2	
5	G02631-1-9	Top Centre Brace	2	
7	G02683-1-6	Top Centre Brace Bracket	2	Up to 6/19/01
	G02683-1-9	Top Centre Brace Bracket		From 6/19/01
8	<b>3018800</b>	<b>NSF Caster W/Brake</b>	2	
9	<b>3018801</b>	<b>NSF Caster W/O Brake</b>	2	
10	3018901	2" Plastic Square Insert	4	
20*	2689702	Counter Stand Data Plate "CS80"	1	
21*	SK887	Installation Instructions	1	

\* NOT ILLUSTRATED

**RECOMMENDED STOCK PARTS**

## GARLAND PARTS IDENTIFICATION

### Griddle (Electric & Gas) Floor Stands Stainless Steel With Storage Shelf (48" Wide)

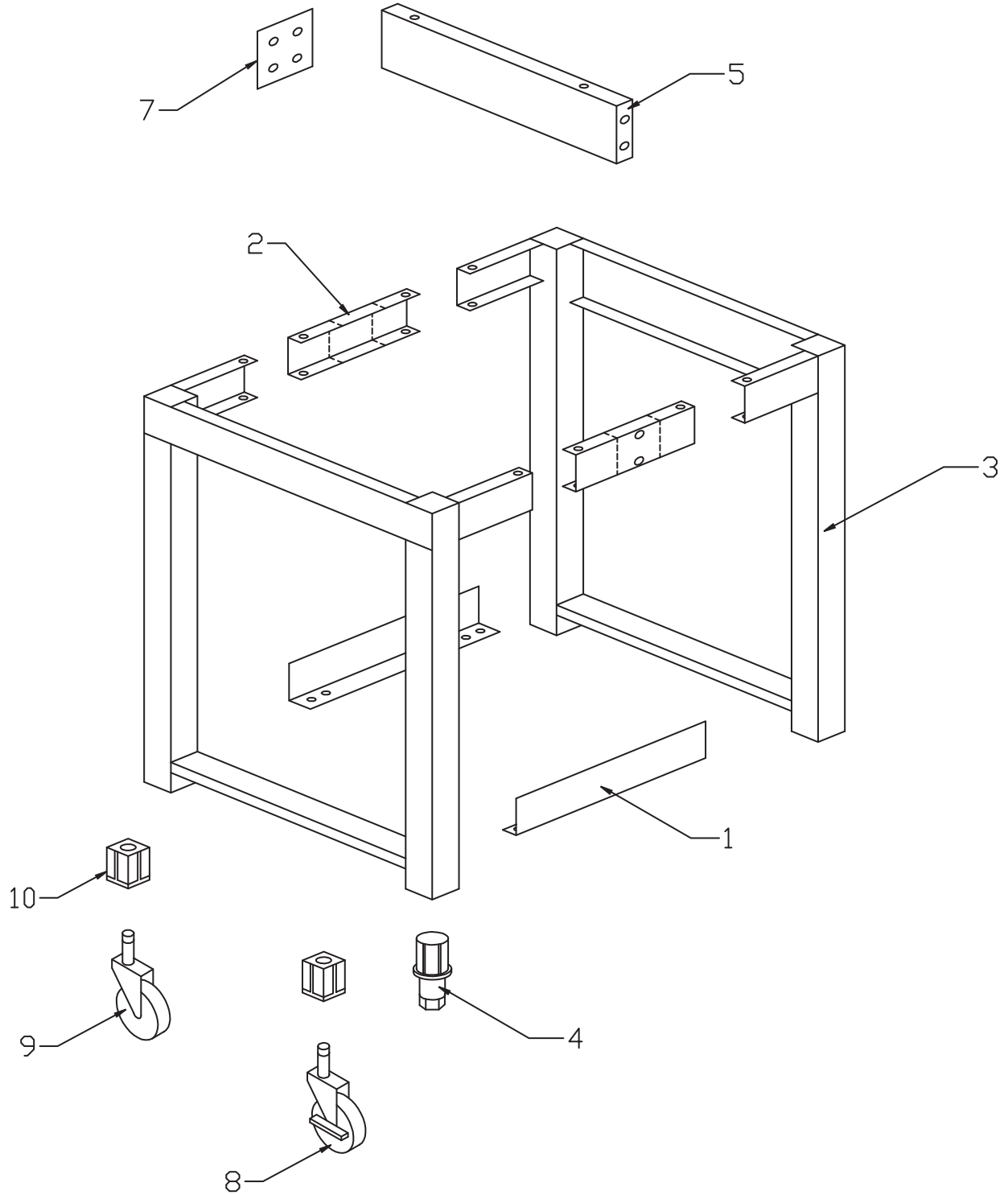
Drawing Available On Page# 14

ITEM	PART #	DESCRIPTION	QUANTITY	DATE
<b>SCG-48SS (Stand (E)CG 48" SS W/Legs)</b>				
1	3098098	Stand Assembly -48 W/O Casters	1	From 6/7/02
2	3073798	Griddle Leg Assembly RT Bullet	2	Up to 6/7/02
	3073898	Griddle Leg Assembly LT Bullet	2	
3	3065197	Stand Shelf Assembly 48"	1	Up to 6/7/02
	3098300			From 6/7/02
4	G02954-1	2" Square Foot Insert	4	
<b>SCG-48SSC (Stand (E)CG 48" SS W/Casters)</b>				
1	3098099	Stand Assembly -48 W/ Casters	1	From 6/7/02
2	3073799	Griddle Leg Assembly RT Bullet	2	Up to 6/7/02
	3073899	Griddle Leg Assembly LT Bullet	2	
3	3065197	Stand Shelf Assembly 48"	1	Up to 6/7/02
	3098300			From 6/7/02
5	<b>2442000</b>	<b>NSF Swivel Caster W/Brake</b>	2	
6	<b>2442100</b>	<b>NSF Swivel Caster W/O Brake</b>	2	

\* NOT ILLUSTRATED

**RECOMMENDED STOCK PARTS**

# ***NOTES***



**GARLAND PARTS IDENTIFICATION**  
**G24 & E24 Stand Type W/o Storage Shelf (60" Wide)**

Drawing Available On Page# 30

ITEM	PART #	DESCRIPTION	QUANTITY	DATE
------	--------	-------------	----------	------

**CS24-60 STD W/L (CS24-60 STD W/Legs)**

1	G02282-60-5	Leg Brace	2	
2	G0291-060-8	Front & Rear Sleeve Assembly	2	
3	G0293-01-8	Side Leg Assembly	2	
4	G02954-1	2" Square Foot Insert	4	
5	G01024-1-8	Top Brace	2	
7	G01025-1-6	Top Brace Bracket	2	Up to 6/19/01
	G02683-1-6	Top Centre Brace Bracket		From 6/19/01
20*	2689703	Counter Stand Data Plate "CS24"	1	

**CS24-60 STD W/C (CS24-60 STD W/Casters)**

1	G02282-60-5	Leg Brace	2	
2	G0291-060-8	Front & Rear Sleeve Assembly	2	
3	G0293-02-8	Side Leg Assembly	2	
5	G01024-1-8	Top Brace	2	
7	G01025-1-6	Top Brace Bracket	2	Up to 6/19/01
	G02683-1-6	Top Centre Brace Bracket		From 6/19/01
8	<b>3018800</b>	<b>NSF Caster W/Brake</b>	2	
9	<b>3018801</b>	<b>NSF Caster W/O Brake</b>	2	
10	3018901	2" Plastic Square Insert	4	
20*	2689703	Counter Stand Data Plate "CS24"	1	

**CS24-60 SS W/L (CS24-60 SS W/Legs)**

1	G02282-60-5	Leg Brace	2	
2	G0291-060-9	Front & Rear Sleeve Assembly	2	
3	G0293-01-9	Side Leg Assembly	2	
4	G02954-1	2" Square Foot Insert	4	
5	G01024-1-9	Top Brace	2	
7	G01025-1-9	Top Brace Bracket	2	Up to 6/19/01
	G02683-1-6	Top Centre Brace Bracket		From 6/19/01
20*	2689703	Counter Stand Data Plate "CS24"	1	

**CS24-60 SS W/C (CS24-60 SS W/Casters)**

1	G02282-60-5	Leg Brace	2	
2	G0291-060-9	Front & Rear Sleeve Assembly	2	
3	G0293-01-9	Side Leg Assembly	2	
5	G01024-1-9	Top Brace	2	
7	G01025-1-9	Top Brace Bracket	2	Up to 6/19/01
	G02683-1-6	Top Centre Brace Bracket		From 6/19/01
8	<b>3018800</b>	<b>NSF Caster W/Brake</b>	2	
9	<b>3018801</b>	<b>NSF Caster W/O Brake</b>	2	
10	3018901	2" Plastic Square Insert	4	
20*	2689703	Counter Stand Data Plate "CS24"	1	

\* NOT ILLUSTRATED

**RECOMMENDED STOCK PARTS**

## GARLAND PARTS IDENTIFICATION

### Griddle Floor Stands Stainless Steel With Storage Shelf (60" Wide)

Drawing Available On Page# 14

ITEM	PART #	DESCRIPTION	QUANTITY	DATE
<b>SCG-60SS (STAND (E) CG 60" SS W/Legs)</b>				
1	3098092	Stand Assembly -60 W/O Casters	1	From 6/7/02
2	3073798	Griddle Leg Assembly RT Bullet	2	Up to 6/7/02
	3073898	Griddle Leg Assembly LT Bullet	2	
3	3065196	Stand Shelf Assembly 60"	1	Up to 6/7/02
	3098304			From 6/7/02
4	G02954-1	2" Square Foot Insert	4	
<b>SCG-60SSC (STAND (E) CG 60" SS W/Casters)</b>				
1	3098099	Stand Assembly -60 W/ Casters	1	From 6/7/02
2	3073799	Griddle Leg Assembly RT Bullet	2	Up to 6/7/02
	3073899	Griddle Leg Assembly LT Bullet	2	
3	3065197	Stand Shelf Assembly 60"	1	Up to 6/7/02
	3098300			From 6/7/02
5	<b>2442000</b>	<b>NSF Swivel Caster W/Brake</b>	2	
6	<b>2442100</b>	<b>NSF Swivel Caster W/O Brake</b>	2	

\* NOT ILLUSTRATED

**RECOMMENDED STOCK PARTS**



**GARLAND PARTS IDENTIFICATION**  
**G24 & E24 Stand Type W/o Storage Shelf (72" Wide)**

Drawing Available On Page# 30

ITEM	PART #	DESCRIPTION	QUANTITY	DATE
<b>CS24-72 STD W/L (CS24-72 STD W/Legs)</b>				
1	G02282-72-5	Leg Brace	2	
2	G0291-072-8	Front & Rear Sleeve Assembly	2	
3	G0293-01-8	Side Leg Assembly	2	
4	G02954-1	2" Plastic Square Insert	4	
5	G01024-1-8	Top Brace	2	
7	G01025-1-6	Support Holder	2	Up to 6/19/01
	G02683-1-6	Top Centre Brace Bracket		From 6/19/01
20*	2689703	Counter Stand Data Plate "CS24"	1	
<b>CS24-72 STD W/C (CS24-72 STD W/Casters)</b>				
1	G02282-72-5	Leg Brace	2	
2	G0291-072-8	Front & Rear Sleeve Assembly	2	
3	G0293-02-8	Side Leg Assembly	2	
4	3018901	2" Plastic Square Insert	4	
5	G01024-1-8	Top Brace	2	
7	G01025-1-6	Support Holder	4	Up to 6/19/01
	G02683-1-6	Top Centre Brace Bracket	2	From 6/19/01
8	<b>3018800</b>	<b>NSF Caster W/Brake</b>	2	
9	<b>3018801</b>	<b>NSF Caster W/O Brake</b>	2	
20*	2689703	Counter Stand Data Plate "CS24"	1	
21*	G01026	Instruction Sheet	1	
<b>CS24-72 SS W/L (CS24-72 SS W/Legs)</b>				
1	G02282-72-5	Leg Brace	2	
2	G0291-072-9	Front & Rear Sleeve Assembly	2	
3	G0293-02-9	Side Leg Assembly	2	
4	G02954-1	2" Plastic Square Insert	4	
5	G01024-1-9	Sleeve Support	2	
7	G01025-1-9	Support Holder	2	Up to 6/19/01
	G02683-1-6	Top Centre Brace Bracket		From 6/19/01
20*	2689703	Counter Stand Data Plate "CS24"	1	
<b>CS24-72 SS W/C (CS24-72 SS W/Casters)</b>				
1	G02282-72-5	Leg Brace	2	
2	G0291-072-9	Front & Rear Sleeve Assembly	2	
3	G0293-02-9	Side Leg Assembly	2	
4	3018901	2" Plastic Square Insert	4	
5	G01024-1-9	Sleeve Support	2	
7	G01025-1-9	Support Holder	4	Up to 6/19/01
	G02683-1-6	Top Centre Brace Bracket	2	From 6/19/01
8	<b>3018800</b>	<b>NSF Caster W/Brake</b>	2	
9	<b>3018801</b>	<b>NSF Caster W/O Brake</b>	2	
20*	2689703	Counter Stand Data Plate "CS24"	1	

\* NOT ILLUSTRATED

**RECOMMENDED STOCK PARTS**

## GARLAND PARTS IDENTIFICATION

### Griddle (Electric & Gas) Floor Stands Stainless Steel With Storage Shelf (72" Wide)

Drawing Available On Page# 14

ITEM	PART #	DESCRIPTION	QUANTITY	DATE
<b>SCG-72SS (Stand (E) CG 72" SS W/Legs)</b>				
1	3098090	Stand Assembly -72 W/O Casters	1	From 6/7/02
2	3073798	Griddle Leg Assembly RT Bullet	2	Up to 6/7/02
	3073898	Griddle Leg Assembly LT Bullet	2	
3	3065195	Stand Shelf Assembly 72"	1	Up to 6/7/02
	3098305			From 6/7/02
4	G02954-1	2" Square Foot Insert	4	
<b>SCG-72SSC (Stand (E) CG 72" SS W/Casters)</b>				
1	3098091	Stand Assembly -72 W/ Casters	1	From 6/7/02
2	3073799	Griddle Leg Assembly RT Bullet	2	Up to 6/7/02
	3073899	Griddle Leg Assembly LT Bullet	2	
3	3065195	Stand Shelf Assembly 72"	1	Up to 6/7/02
	3098305			From 6/7/02
5	<b>2442000</b>	<b>NSF Swivel Caster W/Brake</b>	2	
6	<b>2442100</b>	<b>NSF Swivel Caster W/O Brake</b>	2	

\* NOT ILLUSTRATED

**RECOMMENDED STOCK PARTS**

## GARLAND PARTS IDENTIFICATION

### Revision History

REV. #	PAGE #	ITEM #	NOTE	DATE	
1	4, 8, 24, 26, 30		New Drawings	Mar 09/04	
2	9	3	New Part # for CS80 18B STD W/Legs – Was G02682-03-8	Jun 16/05	
	12		New Part # for CS80 24B STD W/Legs – Was G02682-03-8		
	17		New Part # for CS80 30B STD W/Legs – Was G02682-03-8		
	20		New Part # for CS80 36B STD W/Legs – Was G02682-03-8		
	27		New Part # for CS80 48B STD W/Legs – Was G02682-03-8		
3	5	Under CSD 15 W/C (Counter Stand Designer 15" STD W/Casters)		Aug 22/06	
		3	New Part # 2259499 Was 2259498		
		Under CSD GF (Counter Stand Designer Gas Fryer – Only)			
	3	New Part # 2259499 Was 2259498			
	6	New Models	CSD-GF S/S 15" (Counter Stand Designer 1 5" S/S W/Casters – Gas Fryer)		
			CSD-GF S/S 15" (Counter Stand Designer 1 5" S/S W/Legs – Gas Fryer)		
			CSD-GF S/S 15" (Counter Stand Designer 1 5" S/S W/Legs – Gas Fryer)		
	7	Under CSD 18" W/C (Counter Stand Designer 18" STD W/Casters)			
		3	New Part # 2259499 Was 2259498		
	10	CSD 24 W/C (Counter Stand Designer 24" W/Caster)			
		3	New Part # 2259499 Was 2259498		
	16	CSD 36 W/C (Counter Stand Designer 36" W/Caster)			
		3	New Part # 2259499 Was 2259498		
	19	CSD 36 W/C (Counter Stand Designer 36" W/Caster)			
		3	New Part # 2259499 Was 2259498		
22	CSD 36 W/C (Counter Stand Designer 36" W/Caster)				
	3	New Part # 2259499 Was 2259498			

 **GARLAND**<sup>®</sup>