



***GARLAND MODEL
G22 Series***

PARTS LIST

Toll Free Phone, (US & Canada): (800) 427-6668

Toll Free Fax, (US & Canada): (800) 361-7745

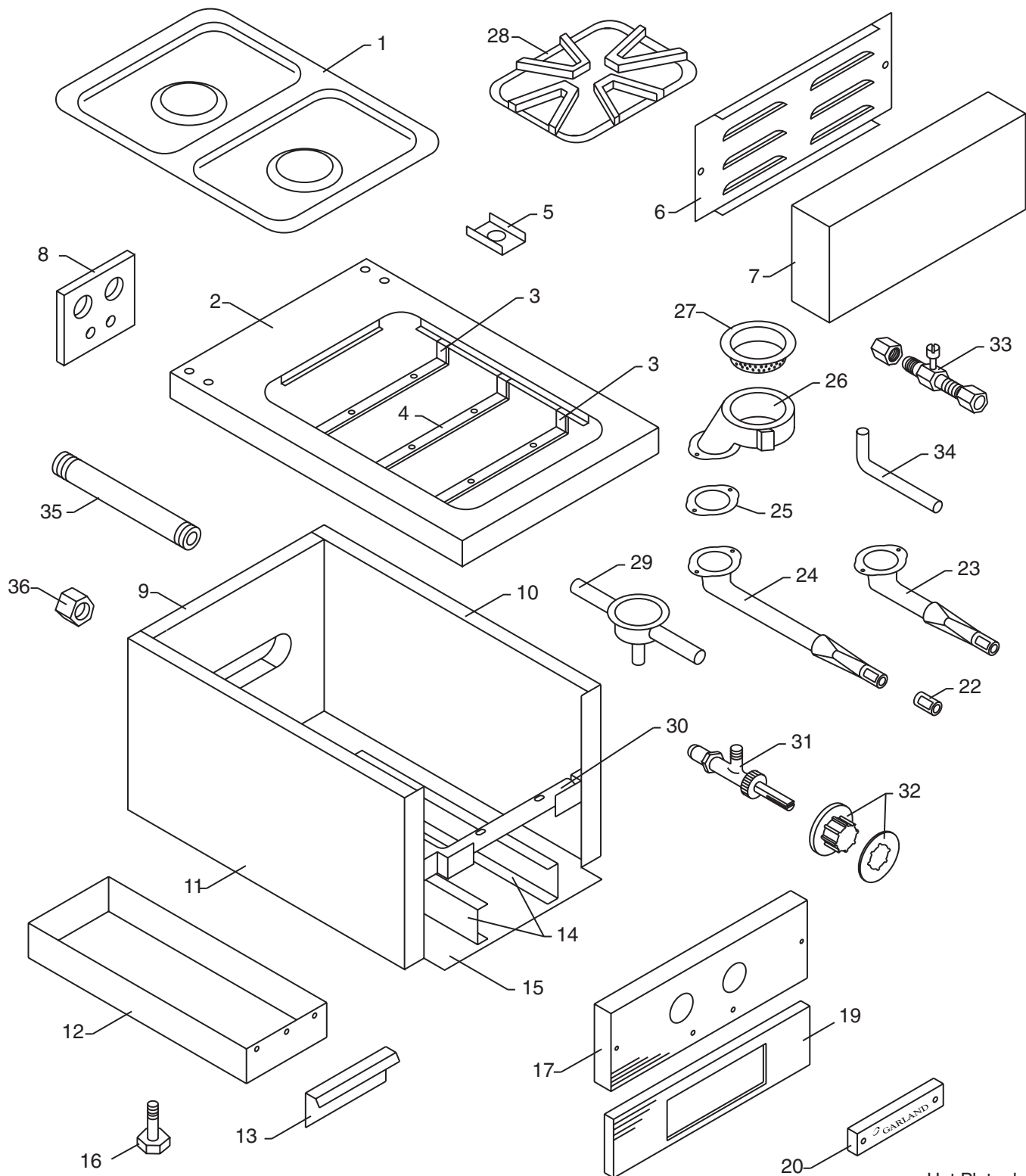
<http://www.garland-group.com>



GARLAND MODEL G22 Series

Contents:

Hot Plate Model G22-12H	Page 4
Food Warmer Model G22-15W	Page 6
Griddles Models G22-24G, G22-24GTH, G22-36G AND G22-36GTH	Page 8
Griddles Flame Failure Series Models G22-24GFF AND G22-36GFF	Page 12
Fryer Model G22-18F	Page 16
Part Digital Photos.....	Page 19
Revision History.....	Page 20



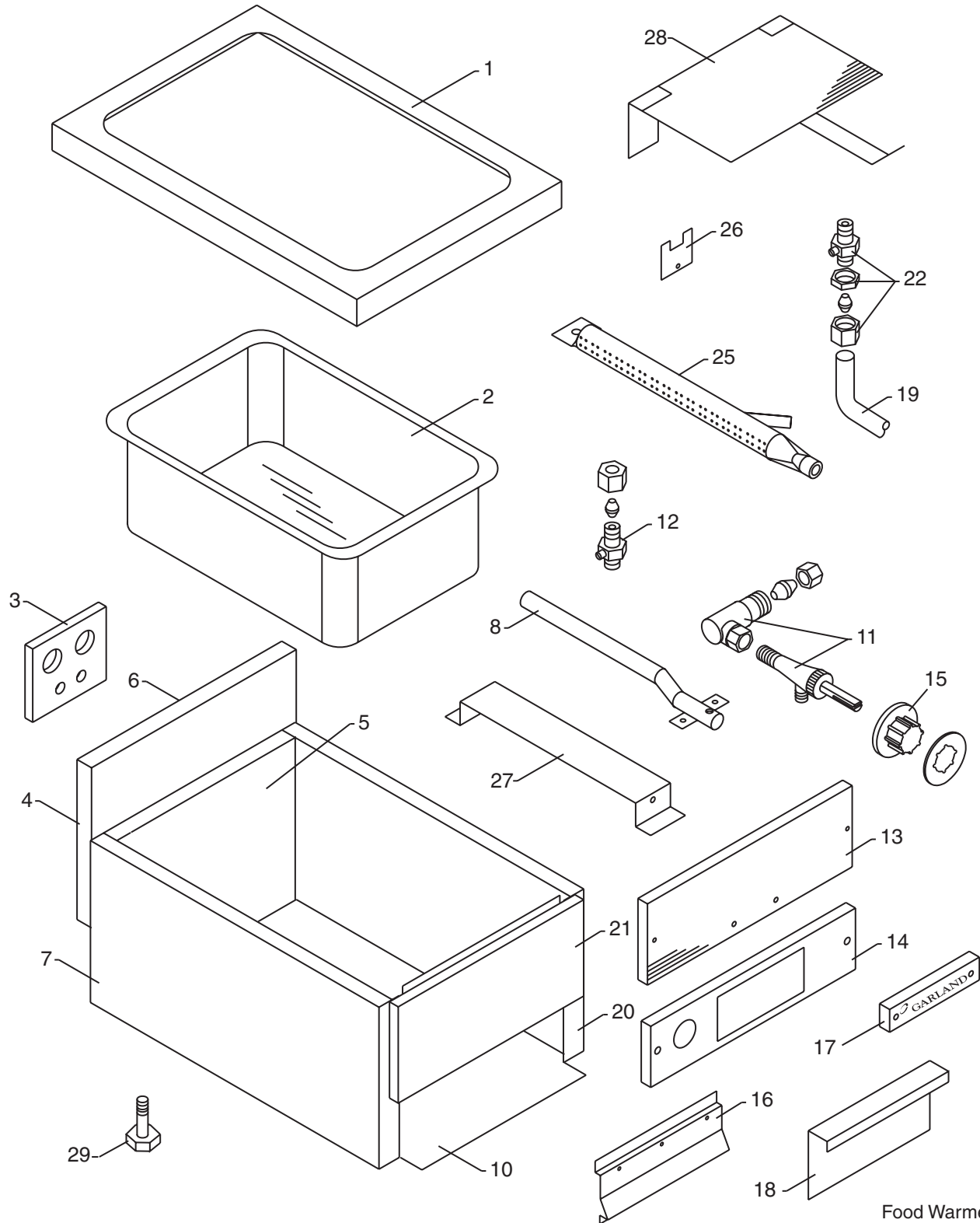
GARLAND PARTS IDENTIFICATION

Hot Plate Model G22-12H

ITEM	PART #	DESCRIPTION	MODEL
			QUANTITY
			G22-12H
1	G6795E	Aeration Pan	1
2	G01630-1-8P	Main Top Plated	1
3	G6796-1-6	Burner Support	2
4	G6797-1-6	Pilot Bracket	1
5	G1705-1-9	Element Clamp Short	2
6	G2614-2-8	Backguard Cover	1
7	G2613-1-9	Backguard	1
8	G2689-1-6	Banking Plate	2
9	G0121-12-8	Main Back	1
	G0121-12-9	Main Back	1
10	G2606-01-81	Body Side Assembly R/H - Painted	1
	G2606-01-91	Body Side Assembly R/H - SS	1
11	G2606-01-82	Body Side Assembly L/H - Painted	1
	G2606-01-92	Body Side Assembly L/H - SS	1
12	G2653-1-8	Grease Pan	1
13	G2654-1-9	Grease Pan Front	1
14	G2652-1-7	Grease Pan Support	2
15	G2651-12-7	Main Bottom	1
16	F157	Leveling Bolt-3/8-16x1 1/16"	4
17	G0122-12-9	Upper Front Panel	1
18*	G1555-2	Rear I.D Plate	1
19	G2657-12-9	Lower Front Panel	1
20	3077101	Garland Nameplate 4 7/8"	1
21*	G1555-1	Front I.D. Plate	1
22	G6798	Air Shutter	2
23	G01639-02	Front Burner Assembly	1
24	G01639-01	Rear Burner Assembly	1
25	G6799	Gasket	2
26	G6794M	Burner Base	2
27	G6800	Burner Cap (N.L.A.)	2
28	G6793E	Top Grate Enam (N.L.A.)	2
29	G7731	Pilot Assembly (N.L.A)	1
30	G6776-012-8	Manifold Assembly	1
31	G6806-52-66U	Valve Universal	2
32	G02716-2	Dial - (Universal) Medium Shaft	2
	G02725-1	Dial Insert (OFF)	2
33	1086199	Gum Valve 1/8	1
34	G0305-1	1/8 O.D Tubing x 11 1/2"	1
35	G01738-13	Pipe Extension 13.5" x 3/4 NPT	1
36	G01961-1	Coupling 3/4 NPT	1

* NOT ILLUSTRATED

RECOMMENDED STOCK PARTS



Food Warmer.dwg
REV.0

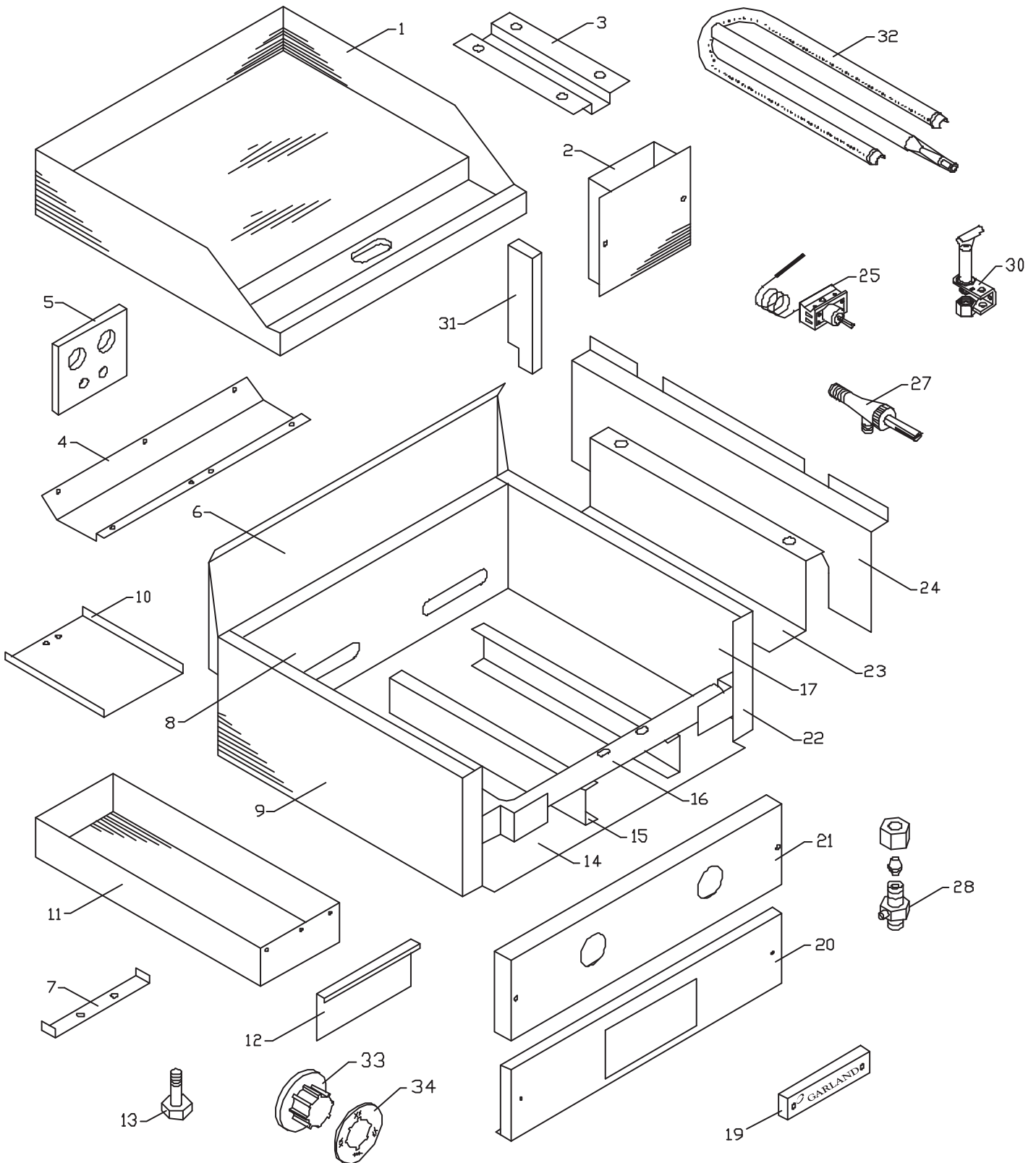
GARLAND PARTS IDENTIFICATION

Food Warmer Model G22-15W

ITEM	PART #	DESCRIPTION	MODEL
			QUANTITY
			G22-15W
1	G2618-1-15-9	Main Top	1
2	G0439-2-9	Food Warmer Well	1
3	G2689-1-6	Banking Plate	2
4	G0128-15-9	Flue Front	1
5	G2620-15-8	Main Back	1
6	G0129-15-6	Flue Back	1
7A	G26-6-01-82	Body side Assembly L/H - Painted	1
	G2606-01-92	Body Side Assembly LH - S/S	1
7B	G2606-01-81	Body Side Assembly R/H - Painted	1
	G2606-01-91	Body Side Assembly RH - S/S	1
8	G0751-01	Manifold Assembly N.L.A.	1
9*	G1555-6	Blank I.D. Plate	1
10	G01562-1-7	Main Bottom	1
11	G02599-01	Valve HI-LO C/W 90 Deg. Elbow From Code 813	1
	G0119-1	Valve Top Burner To Cope 8122	1
12	1086199	Gum Valve 1/8	1
13	G0131-15-9	Upper Front Panel	1
14	G01561-15-9	Lower Front Panel	1
15	G02716-2	Dial - (Universal) Medium Shaft	1
	G02725-2	Dial Insert (OFF/MAX/MIN)	1
16	G0158-1-6	Grease Pan Front Support	1
17	3077101	Garland Nameplate 4 7/8"	1
18	G2654-1-9	Grease Pan Front	1
19	G0305-1	1/8 O.D. Tubing x 11 1/2"	1
20	G2606-01-81	Body Side Assembly R/H - Painted	1
	G2606-01-91	Body Side Assembly R/H S/S	1
21	G2623-1-7	Shield Upper Front	1
22	G01776-01	Lighter Assembly	1
23*	G01494-4	1/4 Alum Tubing x 6.125"	1
24*	G0759	Orifice Fitting (Specify Gas) N.L.A.	1
25	G01524-2-6	Steel Burner W/Air Shutter	1
26	G01519-1-7	Orifice Support Bracket	1
27	G01520-1-7	Bracket	1
28	G01521-01-8	Heat Deflector Assembly	1
29	F157	Leveling Bolt-3/8-16x1 a/16"	1

* NOT ILLUSTRATED

RECOMMENDED STOCK PARTS



Griddle G22

GARLAND PARTS IDENTIFICATION

Griddles Models G22-24G, G22-24GTH, G22-36G AND G22-36GTH

ITEM	PART #	DESCRIPTION	MODELS			
			QUANTITY			
			G22-24G	G22-24GTH	G22-36G	G22-36GTH
1	G01893-01-8	Griddle Assembly (Valve)	1			
	G01893-02-8	Griddle Assembly (Thermostat)		1		
	G01892-01-8	Griddle Assembly (Valve)			1	
	G01892-02-8	Griddle Assembly (Thermostat)				1
2	G2744-01-6	Drain Chute Assembly	1	1	1	1
3	G01798-01-6	Bulb & Clamp Shield Assembly		2		3
4	G01548-24-6	Rear Radiation Shield	1	1		
	G01548-36-6	Rear Radiation Shield			1	1
5	G2689-1-6	Banking Plate	2	2	2	2
6	G0134-24-6	Flue Back	1	1		
	G0134-36-6	Flue Back			1	1
7	G01551-1-6	Burner Support	2	2	3	3
8	G0132-24-8	Main Back	1	1		
	G0132-36-8	Main Back			1	1
9	G2606-02-82	Body Side Assembly	1	1	1	1
10	G01547-1-6	Centre Aeration Shield	1	1	2	2
11	G2653-1-8	Grease Pan	1	1	1	1
12	G2654-1-9	Grease Pan Front	1	1	1	1
13	F157	Leveling Bolt-3/8-16x1 1/16"	4	4	4	4
14	G2651-24-7	Main Bottom	1	1		
	G2651-36-7	Main Bottom			1	1
15	G2652-1-7	Grease Pan Support	2	2	2	2
16	G01552-024	Manifold Assembly	1	1		
	G01552-036	Manifold Assembly			1	1
17	G0140-1-7	Side Aeration Shield	2	2	2	2
18*	G1555-6	Blank I.D Plate	2	2	3	3
19	3077101	Garland Nameplate 4 7/8"	1	1	1	1
20	G2657-24-9	Lower Front Panel	1	1		
	G2657-36-9	Lower Front Panel			1	1
21	G0133-24-9	Upper Front Panel	1	1		
	G0133-36-9	Upper Front Panel			1	1
22	G2606-02-82	Body Side Assembly	1	1	1	1
23	G01550-1-6	Side Radiation Shield	2	2	2	2
24	G01549-24-6	Front Radiation Shield	1	1		
	G01549-36-6	Front Radiation Shield			1	1
25*	G0118-1	Thermostat UN		2		3
27	G0119-1	Valve Top Burner	2		3	
28	G6809	Gum Valve 1/4	2	2	3	3
	1086597	3/16 Pilot Adjusting Valve	2	2	3	3
29*	G01494-4	1/4 Alum Tubing x 6.125"	2	2	3	3

* NOT ILLUSTRATED

RECOMMENDED STOCK PARTS

GARLAND PARTS IDENTIFICATION

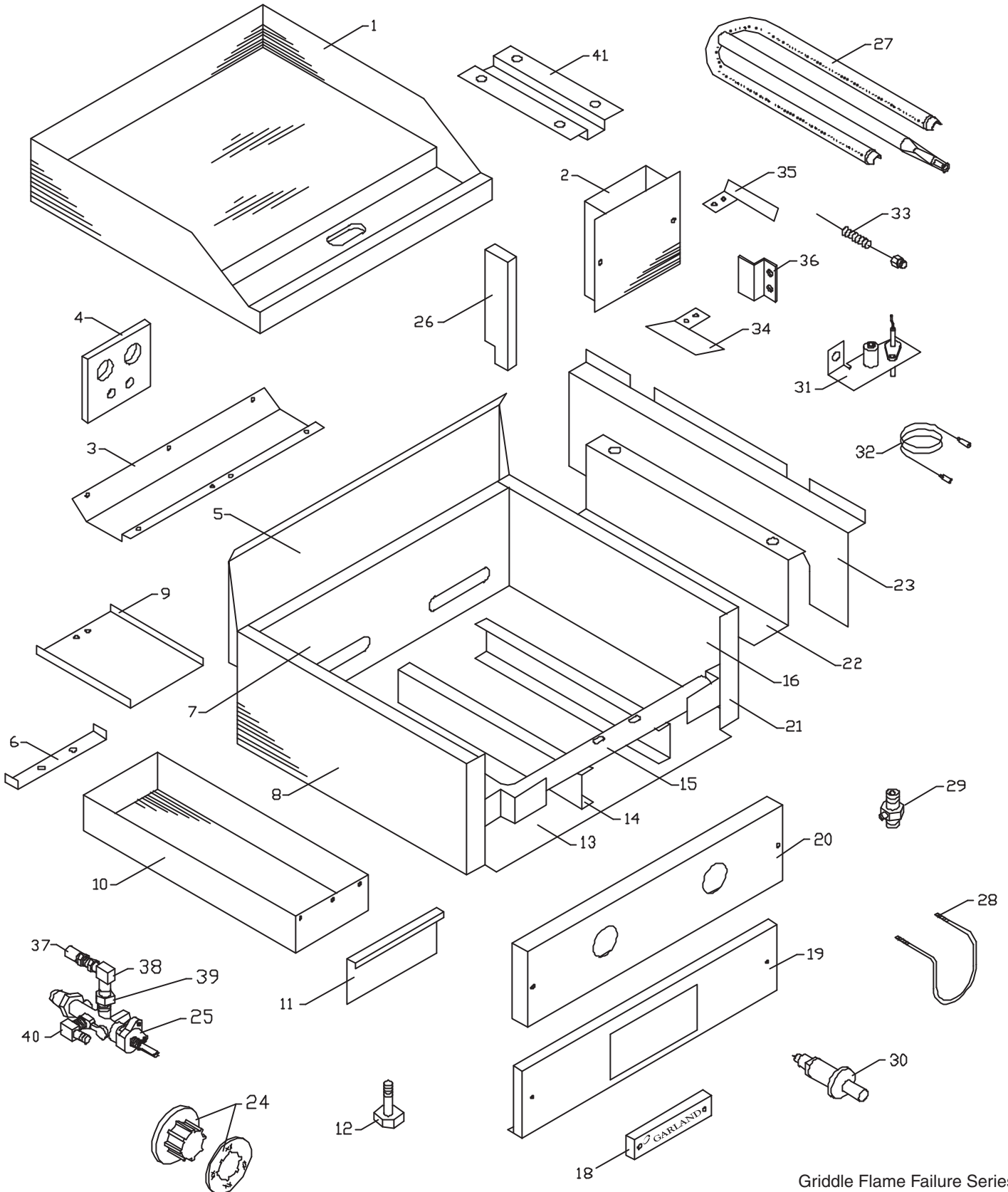
Griddles Models G22-24G, G22-24GTH, G22-36G AND G22-36GTH

ITEM	PART #	DESCRIPTION	MODELS			
			QUANTITY			
			G22-24G	G22-24GTH	G22-36G	G22-36GTH
30	<i>G0554-1</i>	<i>3C-2 Pilot Natural</i>	2	2	3	3
	<i>G0554-2</i>	<i>3C-2 Pilot Propane</i>	2	2	3	3
31	G2402-1-5	Top Support Prop	1	1	1	1
32	G01553-1-6	Burner	2	2	3	3
33	<i>G02716-2</i>	<i>Dial - (Universal) Medium Shaft</i>	2	3	3	3
34	<i>G02725-14</i>	<i>Dial Insert (OFF/100F/450F)</i>		2		3
	<i>G02725-11</i>	<i>Dial Insert (OFF/40C/230C) Griddle Celsius</i>		2		3
	<i>G02725-2</i>	<i>Dial Insert (OFF/MAX/Min)</i>	2		3	

* NOT ILLUSTRATED

RECOMMENDED STOCK PARTS

NOTES



Griddle Flame Failure Series.

GARLAND PARTS IDENTIFICATION

Griddles Flame Failure Series Models G22-24GFF AND G22-36GFF

ITEM	PART #	DESCRIPTION	MODEL	
			QUANTITY	
			G22-24GFF	G22-36GFF
1	G01893-01-8	Griddle Assembly (Valve)	1	
	G01892-01-8	Griddle Assembly (Valve)		1
2	G2744-01-6	Drain Chute Assembly	1	1
3	G01548-24-6	Rear Radiation Shield	1	
	G01548-36-6	Rear Radiation Shield		1
4	G2689-1-6	Banking Plate	2	2
5	G0134-24-6	Flue Back	1	
	G0134-36-6	Flue Back		1
6	G01551-1-6	Burner Support	2	3
7	G0132-24-8	Main Back	1	
	G0132-36-8	Main Back		1
8	G2606-02-82	Body Side Assembly	1	1
9	G01547-2-6	Centre Aeration Shield	1	2
10	G2653-1-8	Grease Pan	1	1
11	G2654-1-9	Grease Pan Front	1	1
12	F157	Leveling Bolt-3/8-16x1 1/16"	4	4
13	G2651-24-7	Main Bottom	1	
	G2651-36-7	Main Bottom		1
14	G2652-1-7	Grease Pan Support	2	2
15	2020399	Manifold Assembly	1	
	2020398	Manifold Assembly		1
16	G0140-1-7	Side Aeration Shield	2	2
17*	G1555-6	Blank I.D Plate	2	3
18	3077101	Garland Nameplate 4 7/8"	1	1
19	2052800	Lower Front Panel 24"	1	
	2052801	Lower Front Panel 36"		1
20	2041900	Upper Front Panel 24"	1	
	2042000	Upper Front Panel 36"		1
21	G2606-02-82	Body Side Assembly	1	1
22	G01550-1-6	Side Radiation Shield	2	2
23	2042100	Front Radiation Shield	1	
	2042101	Front Radiation Shield		1
24	G02716-2	Dial - (Universal) Medium Shaft	2	3
	G02725-33	Dial Insert (OFF/MAX/MIN)	2	3
25*	2043500	Flame Failure Valve Natural	2	3
	2043501	Flame Failure Valve Propane	2	3
26	G2402-1-5	Top Support Prop	1	1
27	G01553-1-6	Burner	2	3
28	078235-1	Joystick Guard	2	3
29	G02251-1	Pressure Test Spigot	1	1
30	1309201	Piezo Igniter #1244-41	2	3
31	2043300	Ignitor Assembly	2	3
32	2050400	Ignition Lead Assembly	2	3
33	2043400	12" Thermocouple	2	3
34	2042300	Ignitor Bracket R/H	1	2
35	2042301	Ignitor Bracket L/H	1	1
36	2042200	Valve Radiation Shield	2	3

* NOT ILLUSTRATED

RECOMMENDED STOCK PARTS

GARLAND PARTS IDENTIFICATION

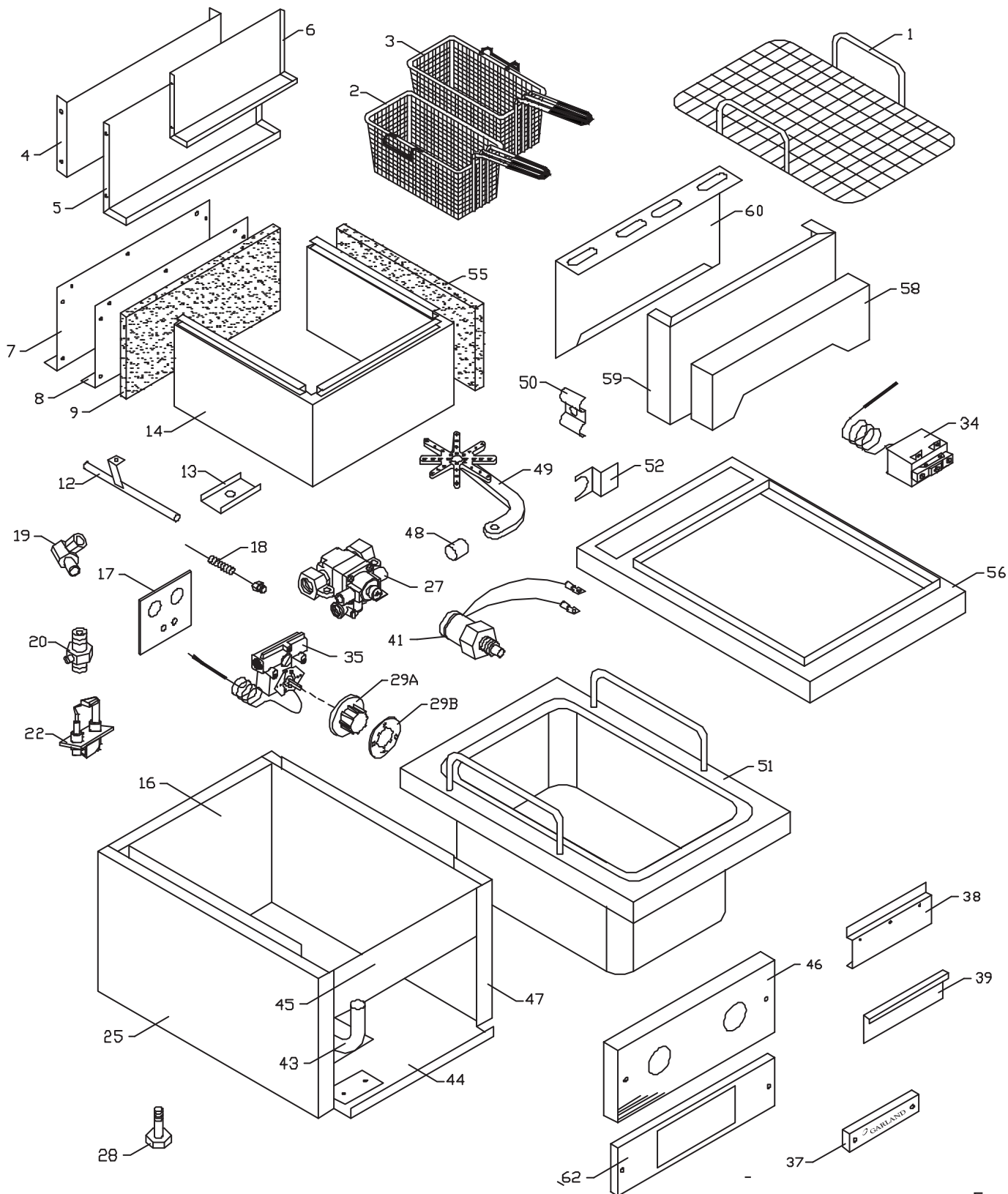
Griddles Flame Failure Series Models G22-24GFF AND G22-36GFF

ITEM	PART #	DESCRIPTION	MODEL	
			QUANTITY	
			G22-24GFF	G22-36GFF
37	21045XX	Orifice Fitting	2	3
38	G01917-1	Elbow 1/8" NPT STR. Brass 115-A	2	3
39	076029-66	1/8 N.P.T. Pipe Coupling Brass	2	3
40	076029-165	Elbow 1/8 X 90 Degree Street	2	3
41	G01798-01-6	Bulb & Clamp Shield Ass'y		

* NOT ILLUSTRATED

RECOMMENDED STOCK PARTS

NOTES



GARLAND PARTS IDENTIFICATION

Fryer Model G22-18F

ITEM	PART #	DESCRIPTION	MODEL
			QUANTITY
			G22-18F
1	G6864	Crumb Screen (NLA)	1
2	G02700-4	Fryer Basket Twin L.H.	1
3	G02700-3	Fryer Basket Twin R.H.	1
4	G7235-1-6	Backguard Shield	1
5	G7214-1-6	Flue Box Back	1
6	G7215-1-6	Flue Box Front	1
7	G0150-1-6	Back Combustion Chamber	1
8	G0151-1-6	Insulation Retainer	1
9	GM64	Insulation 1"	4
10*	GD1506-1	Handle	1
11*	G7206-1-9	Support Arm	1
12	G7208-01-8	Support Assembly	1
13	G1705-1-9	Element Clamp Short	2
14	G0149-1-6	Combustion Chamber	1
15*	G0148-1-6	Air Shield N.L.A.	1
16	G0144-18-8	Main Back	1
	G0144-18-9	Main Back	1
17	G2689-1-6	Banking Plate	2
18	1415000	Thermocouple	1
19	G02352-1	Elbow 3/8 NPT TO 7/16CC 69-7C	1
20	G6809	Gum Valve 1/4	1
21*	G0391-2	Gas Cock-N.L.A.	1
	G0391-1	Gas Cock-N.L.A.	1
22	G0635-1	2C-2 Pilot Natural Gas	1
	G0635-2	2C-2 Pilot Propane Gas	1
	G0635-3	2C-2 Pilot Manufactured Gas	1
23*	G0255-1	Brass Fitting - N.L.A.	1
24*	G01747-1	1/8 Std BLK HD SQ Plug	1
25	G2606-01-82	Body Side Assembly L/H Painted	1
	G2606-01-92	Body Side Assembly L/H SS	1
27	G01479-01	TS11J Safety Valve After Code 8102	1
	G01898-01	Valve Assembly Safety TS9J (N.L.A.) Up To Code 892	1
28	F157	Leveling Bolt-3/8-1x1 1/16"	4
29A	G02716-2	Dial - (Universal) Medium Shaft	1
29B	G02725-20	Dial Insert (OFF/200F/375F)	1
	G02725-12	Dial Insert (OFF/95C/190C)	1
	G02725-1	Dial Insert (OFF) Used Item 21	
31*	G0247-2-8	7/16 Dia Tubing x 9.625"	1
32*	G0247-1-8	7/16 Dia Tubing x 7.312"	1
33*	G0247-3-8	7/16 Dia Tubing x 6.250"	1

* NOT ILLUSTRATED

^ DIGITAL PHOTO AT THE END

RECOMMENDED STOCK PARTS

GARLAND PARTS IDENTIFICATION

Fryer Model G22-18F

ITEM	PART #	DESCRIPTION	MODEL
			QUANTITY
			G22-18F
34	G01914-1	LCCM Limit Control 450F OFF From Code 758	1
35	G0250-1	Thermostat (GS) 375F OFF From Code 730	1
	G01902-01	CTS Control UTo Code 720	1
36*	G1556-6	Blank I.D. Plate	1
37	3077101	Garland Nameplate 4 7/8"	1
38	G0158-1-6	Grease Pan Front Support	1
39	G2654-1-9	Grease Pan Front	1
40*	G01494-7	1/4 Alum Tubing x 14.000"	1
41	G01915-1	Thermocouple Junction Adaptor	1
42*	G01494-7	1/4 Alum Tubing x 14.000"	1
43	G0254-01	Manifold Assembly	1
44	G2651-18-7	Main Bottom	1
45	G0152-18-7	Front Support	1
46	G0271-18-9	Upper Front Panel	1
47	G2606-01-81	Body Side Assembly R/H	1
	G2606-01-9	Body Side Assembly R/H	1
48	G6093	Broiler Burner Air Shutter	1
49	G6841	Burner (NLA)	1
50	CK161	Tube Clamp Assembly Kit	2
51	G02691-070-8P	Frytank Assembly N.L.A.	1
52	G0745-1-7	Mounting Bracket	1
53*	G0249-1-7	Orifice Support	1
54*	G0723-1-6	Pilot Mounting Bracket	1
55	GM311	3/16 x 2 x 2 Angle Iron	4
	GM302	Fibrefrax Durablanket 1" Thick	2
56	G0153-18-8P	Main Top Plated	1
58	G0156-01-8P	Rotating Head Assembly	1
59	G0154-1-9	Backguard Front	1
60	G0155-1-9	Backguard Back	1
61^	F136	Clip-Tube Clamp	
62	G2657-18-9	Lower Front Panel	1

* NOT ILLUSTRATED

^ DIGITAL PHOTO AT THE END

RECOMMENDED STOCK PARTS



CK161
TUBE CLAMP ASSY KIT

GARLAND PARTS IDENTIFICATION

Revision History

REV. #	PAGE #	ITEM #	NOTE	DATE
1	7		New Table	Feb 19/04
	6		New Drawing	
	7	25	Description Changed	
	18	61	Digital Photo Added	
2	5, 7, 9	16,29,13	Part Number 1902919 Deleted – Replace by 3077101	Sep 11/06
	13, 18	18, 37		
	5, 7, 9	16,29,13	Description Changed	
	13, 17	12, 28		
	8,9,10		Information from item 26 transferred to items 33 &34	
	12,13,14		New Drawing Showing Items 30,31,32,37,38,39,40	
	16		New Drawing	
18	57	Item 57 Deleted		

NOTES

NOTES

NOTES

 **GARLAND**[®]