



***E2000 SERIES
ELECTRIC BAKE/ROAST
DECK OVENS***

PARTS LIST

Toll Free Phone, (US & Canada): (800) 427-6668

Toll Free Fax, (US & Canada): (800) 361-7745

<http://www.garland-group.com>



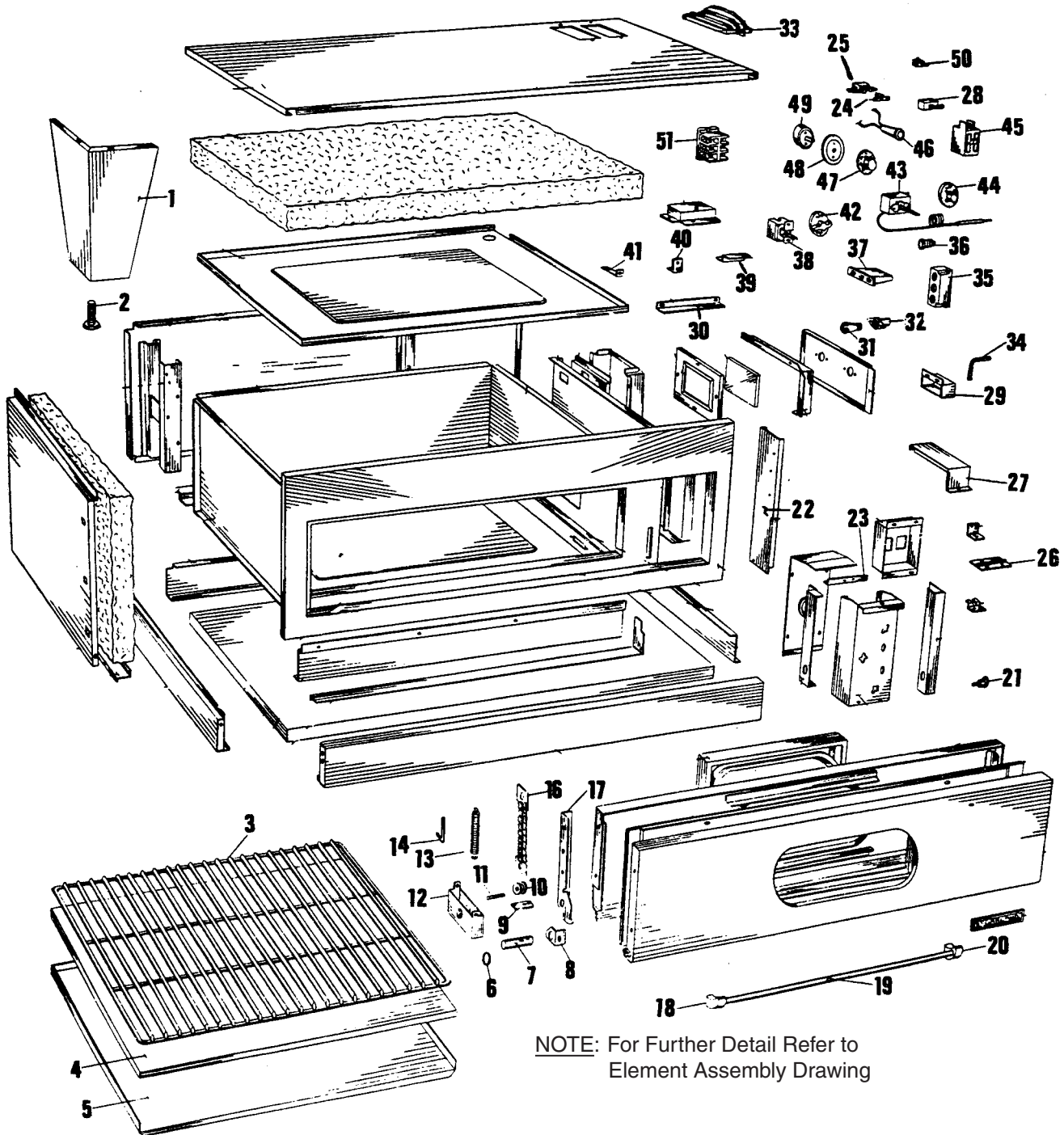
E2000 SERIES ELECTRIC BAKE/ROAST DECK OVENS

Contents:

Model Number Designations Page 5
E-2000 Series Electric Bake/Roast Deck Ovens Page 6
Revision History..... Page 11

MODEL NUMBER DESIGNATION

Model	Description
E2001	(1) Bake Oven
E2011	(2) Bake Ovens
E2111	(3) Bake Ovens
E2005	(1) Roast Oven
E2055	(2) Roast Ovens
E2555	(3) Roast Ovens
E2015	(1) One Bake/ (1) One Roast
E2115	(2) Two Bake / (1) One Roast
E2155	(1) One Bake / (2) Roast



NOTE: For Further Detail Refer to
Element Assembly Drawing

GARLAND PARTS IDENTIFICATION
E-2000 Series Electric Bake/Roast Deck Ovens

ITEM	PART #	DESCRIPTION	QUANTITY		
			MODEL		
			E2001	E2000P	E2005
1	1056282	6" Leg Assembly GG			
	1056281	6" Leg Assembly S/S Optional			
	1056293	16" Leg Assembly GG For (2) Roast Ovens			
	1056297	16" Leg Assembly S/S Optional			
	1056294	23" Leg Assembly GG For (1) Roast or (2) Bake Ovens			
	1056298	23" Leg Assembly S/S Optional			
	1056283	27" Leg Assembly GG For (1) Bake Oven	4	4	
	1056299	27" Leg Assembly S/S Optional			
2	1161000	Leg Adjustment Bolt (3/8-16)	4	4	4
3	1180420	Oven Rack			1
4	G1426-1	Coreplate 3/4' x 38-3/4" x 28"	1	1	
5	1244191	Steel Hearth Assembly			1
6	1010800	Bushing Trunion	2	2	2
7	1244080	Hinge Shaft	2	2	2
8	1244063	Hinge Shaft Support L/H and R/H	2	2	2
9	1244065	Hinge Pin Pad	2	2	2
10	1093000	Pulley	1	1	1
11	1120701	Pulley Shaft	1	1	1
12	1244093	Pulley Support Assembly	1	1	1
13	1005801	Spring	1	1	
	1244153	Spring			1
14	1082901	Spring Adjustment Hook	1	1	1
*	1101402	Capillary Clip	2	2	2
16	1079000	Chain	1	1	1
17	1244057	Oven Door Hinge L/H	1	1	1
	1244058	Oven Door Hinge R/H	1	1	1
18	1016701	Oven Door Handle End L/H	1	1	1
19	1016720	Oven Door Handle	1	1	1
20	1016702	Oven Door Handle End R/H	1	1	1
*	1016703	Oven Door Insulator	2	2	2
*	1120002	Allen Head Cap Screw	2	2	2
21	1244152	Shoulder Bolt 10 x 24	1	1	1
22	1244091	Fuse Block Support	1	1	
	1244095	Fuse Block Support			1
23	1244092	Catch Support Assembly	1	1	1
24	1083100	Door Strike	1	1	1
25	1083400	Door Catch	1	1	1
26	1244151	Control Panel Hinge	1	1	1
27	1244053	Terminal Cover	1	1	1
28	1244146	Toggle Switch	1	1	1
29	1244052	Terminal Shield	2	2	2
30	1244003	Top Element Hanger	2	2	2
31	1026050	Lamp Bulb	2	2	2
32	1025800	Lamp Socket	2	2	2
33	1025800	Vent Cover	2	2	2
34	1244000	Asbestos Gasket	1	1	
35	1013200	Fuse Block	1	1	
36	1013201	Fuse 6 Amp	2	2	
37	1169700	Terminal Block Porcelain	2	2	2

* NOT ILLUSTRATED

RECOMMENDED STOCK PARTS

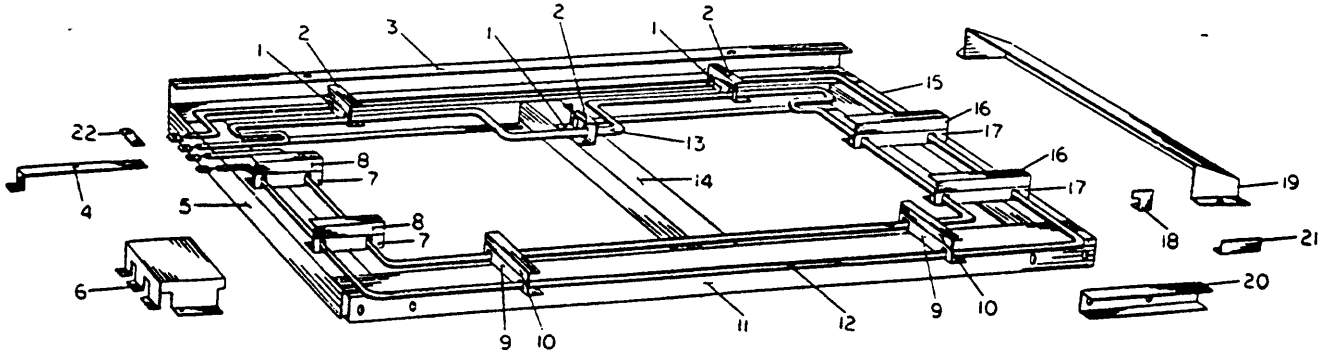
GARLAND PARTS IDENTIFICATION
E-2000 Series Electric Bake/Roast Deck Ovens

ITEM	PART #	DESCRIPTION	QUANTITY		
			MODEL		
			E2001	E2000P	E2005
38	1010705	3 Heat Switch - 208-240V	2	2	2
	1010701	4 Heat Switch - 460V	2	2	2
39	1244006	Bottom Element Clip	2	2	2
40	1244039	Spring Angle Bracket	3	3	3
41	1244023	Lower Tie Strap	1	1	1
42	1010702	Dial For 3 Heat Switch	2	2	2
43	1010300	D1 Thermostat (200° - 500°)	1	1	1
44	1010302	Dial For Above	1	1	1
*	1102701	Bezel For Above	1	1	1
45	1103301	Circuit Breaker 40 Amp	3	3	3
46	1006499	Pilot Lamp Assembly Red	1	1	1
47	1025207	Timer Dial	1	1	1
48	1025206	Timer Bezel	1	1	1
49	1025204	Timer 60 Min	1	1	1
50	1028400	Ground Lug	1	1	1
51	1233900	Terminal Block Porcelain	1	1	1
	1250000	Terminal Block Export Only 5 Lug			
Optional E2001P Pizza Oven Thermostat and Dial Only					
*	1010306	D1 Thermostat (300° - 700°)		1	
*	1010307	Dial For Above		1	

* NOT ILLUSTRATED

RECOMMENDED STOCK PARTS

NOTES



GARLAND PARTS IDENTIFICATION
E-2000 Series Element Assembly

ITEM	PART #	DESCRIPTION	MODEL/QUANTITY			
			ELEMENT ASSEMBLY			
			LOWER	UPPER	LOWER	UPPER
			E2001		E2005	
1	1031205	Element Bracket	3	3	3	3
2	1031209	Element Hold in Bracket	3	3	3	3
3	1021200	Front Support	1	1	1	1
4	1244027	Terminal Bar	3	3	3	3
5	1031203	Side Support R/H	1	1	1	1
6	1244029	Terminal Box	1	1	1	1
7	1031208	Element Bracket	2	2	2	2
8	1031212	Element Hold in Bracket	2	2	2	2
9	1031210	Element Bracket	2	2	2	2
10	1031206	Element Hold in Bracket	2	2	2	2
11	1031201	Rear Support	1	1	1	1
All Element and Element Assemblies below may be used on Ovens built since 1962.						
*	1031299	Element and Frame Assembly - Upper 208V-2600W		1		1
	1031297	Element and Frame Assembly - Upper 236V-2600W		1		1
	1031293	Element and Frame Assembly - Upper 460V-2600W		1		1
	1031298	Element and Frame Assembly - Lower 208V-3600W	1		1	
	1031296	Element and Frame Assembly - Lower 236V-3600W	1		1	
	1031292	Element and Frame Assembly - Lower 460V-3600W	1		1	
12	1031101	Element Outer Upper 208V-1300W		1		1
	1031103	Element Outer Upper 236V-1300W		1		1
	1031111	Element Outer Upper 460V-1300W		1		1
	1031104	Element Outer Lower 208V-2000W	1		1	
	1031105	Element Outer Lower 236V-2000W	1		1	
	1031114	Element Outer Lower 460V-2000W	1		1	
13	1031100	Element Inner Upper 208V-1300W		1		1
	1031102	Element Inner Upper 236V-1300W		1		1
	1031110	Element Inner Upper 460V-1300W		1		1
	1031106	Element Inner Lower 208V-2000W	1		1	
	1031107	Element Inner Lower 236V-2000W	1		1	
	1031115	Element Inner Lower 460V-2000W	1		1	
14	1031204	Center Support	1	1	1	1
15	1031202	Side Support L/H	1	1	1	1
16	1031210	Element Hold in Bracket	2	2	2	2
17	1031207	Element Bracket	2	2	2	2
18	1028400	Ground Clamp	2	2	2	2
19	1031214	Baffle		1		1
20	1031213	Support Channel		1		1
21	1021215	Vent Baffle		1		1
22	1244028	Buss Bar	1	1	1	1
Options E2001P Pizza Oven - Upper Element and Element Assembly are listed below Lower Elements are the same as E2001 Listed above.						
*	1031291	Element and Frame Assembly - Upper 208V-3300W	1 Each Deck			
	1031290	Element and Frame Assembly - Upper 236V-3300W	1 Each Deck			
*	1031104	Element Outer Upper 208V-2000W	1 Each Deck			
	1031105	Element Outer Upper 236V-2000W	1 Each Deck			
*	1031100	Element Inner Upper 208V-2000W	1 Each Deck			
	1031102	Element Inner Upper 236V-2000W	1 Each Deck			

* NOT ILLUSTRATED

RECOMMENDED STOCK PARTS

GARLAND PARTS IDENTIFICATION

Revision History

REV. #	PAGE #	ITEM #	NOTE	DATE
1			Entire Book Reformatted	Jan 07/05
2	1,3,5,6		Model mislabeled as Gas changed to Electric	Jun 15/06
3	4	4	Item Number Changed Was 1020700, Description Changed	Sep 26/06

NOTES

 **GARLAND**[®]