



**Master Series Full Size
Electric Convection Ovens**

models **MCO-ES/ED-10/20
MCO-ES/ED-10/20-S**

from **serial# 0004CJ0001(01-APR-2000)**

PARTS LIST

Phone (US & Canada): 1 800 427 6668

Fax (US & Canada): 1 800 361 7745

www.Garland-Group.com

Quality Factory Replacement Parts for the World's Finest Foodservice Equipment Solutions

This parts list is updated regularly. Please find the most current revision
on our website @ www.Garland-Group.com



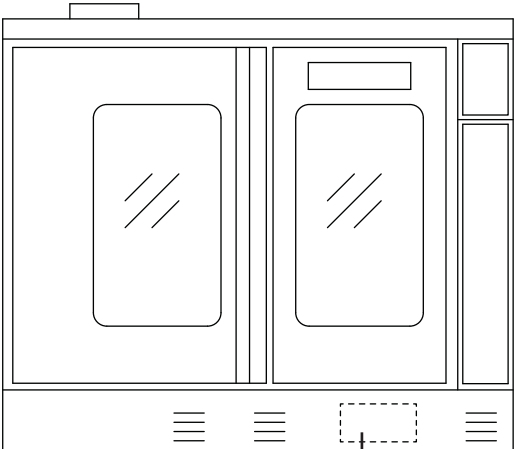
Master Series Full Size Electric Convection Oven

Table of Contents

Rating Plate Location / Model & Serial# Interpretation	4
Exterior Components	6
Oven Components	8
Master 200 Control Panel & Components	12
Master 300 / 410 / 470 / 475 Control Panels & Components	14
Master 450 / 455 (FASTRON) Digital Control Panels & Components	18
Master 450 / 455 (ELREHA) Digital Control Panels & Components	22
Door Components & Assemblies (for units manufactured UP TO 14-APRIL-2005)	26
Door Components & Assemblies (for units manufactured FROM 14-APRIL-2005)	30
List of Wiring Diagrams & Available Kits	34
Critical & Recommended Stock Parts List	35
Related Bulletins	36
Revision History	37

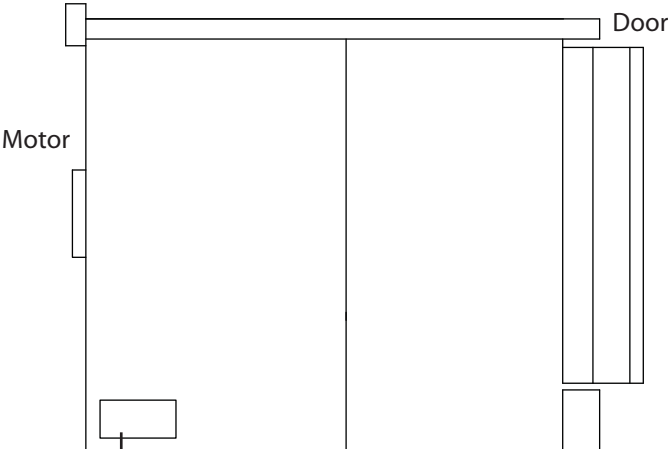
Rating Plate Location

Units Built **UPTO 31-MAR-2011**



Rating Plate
(On the Inside of Lower Front Cover)

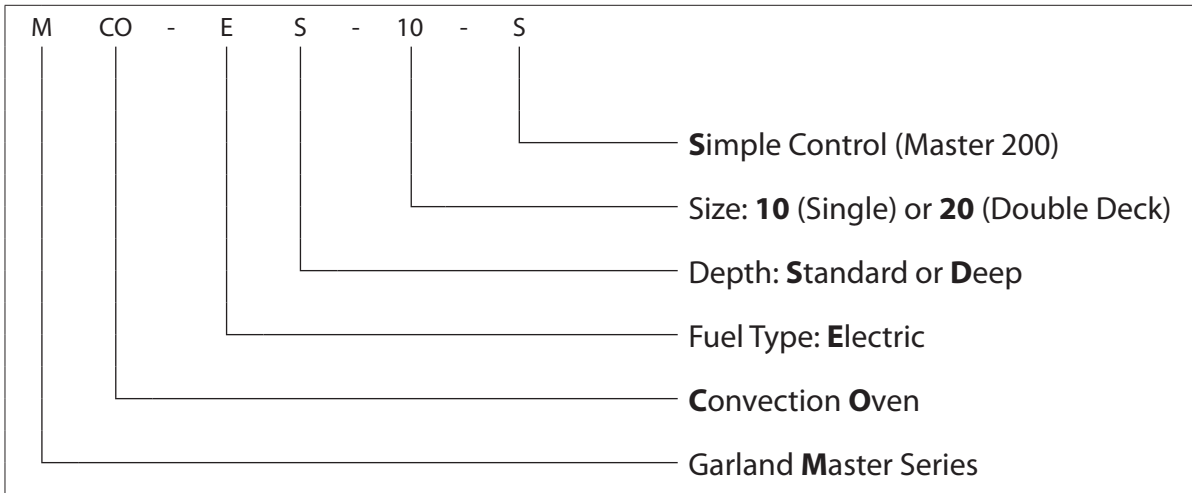
Units Built **FROM 01-APR-2011**



Rating Plate
(On the Outside of Left Body Side Panel)

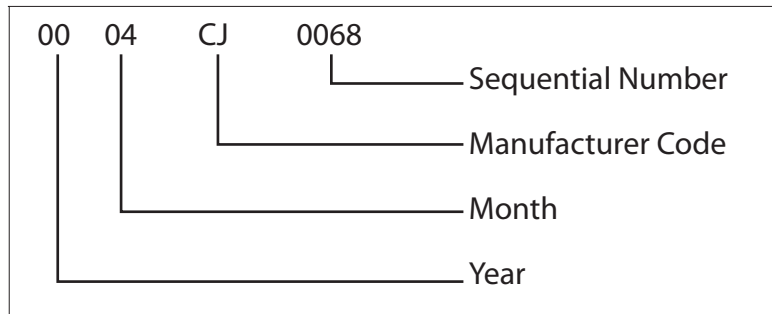
Model Code Interpretation

- MCO Full Size Electric Models:**
- MCO-ES-10
 - MCO-ES-10-S
 - MCO-ED-10
 - MCO-ED-10-S
 - MCO-ES-20
 - MCO-ES-20-S
 - MCO-ED-20
 - MCO-ED-20-S

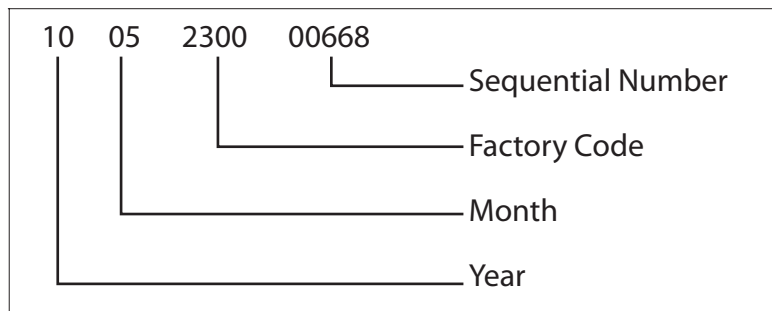


Serial# (Year/Month Information)

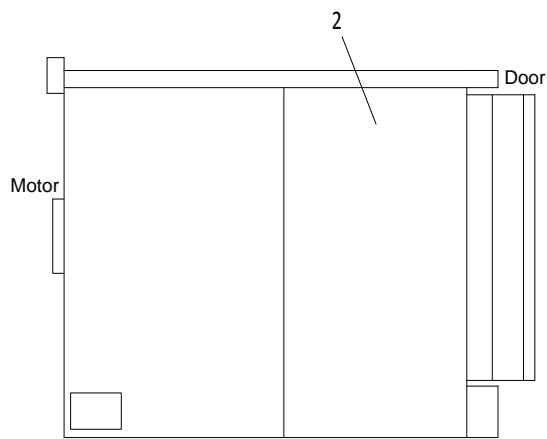
10 Digits Serial Number:



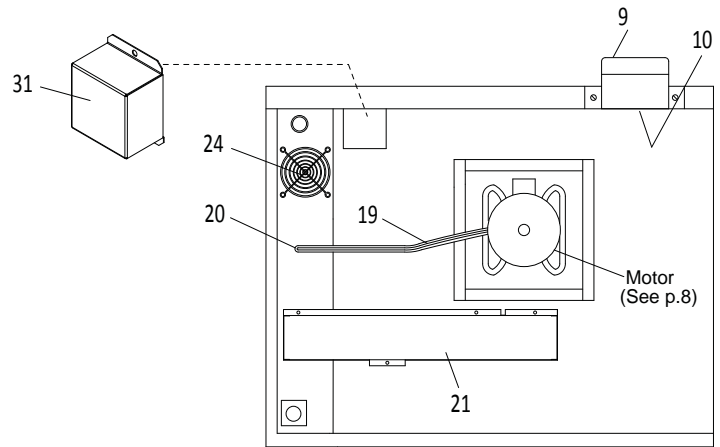
13 Digits Serial Number:



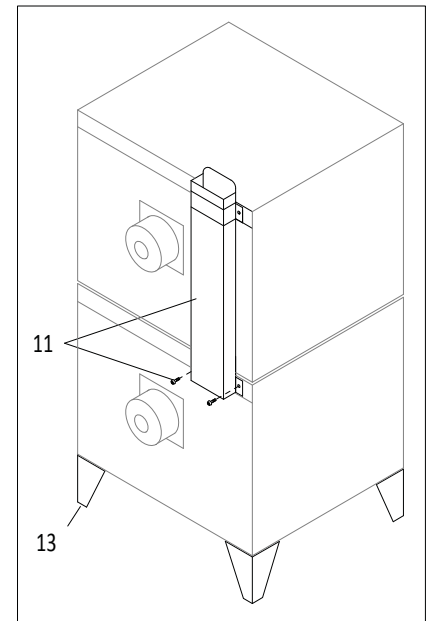
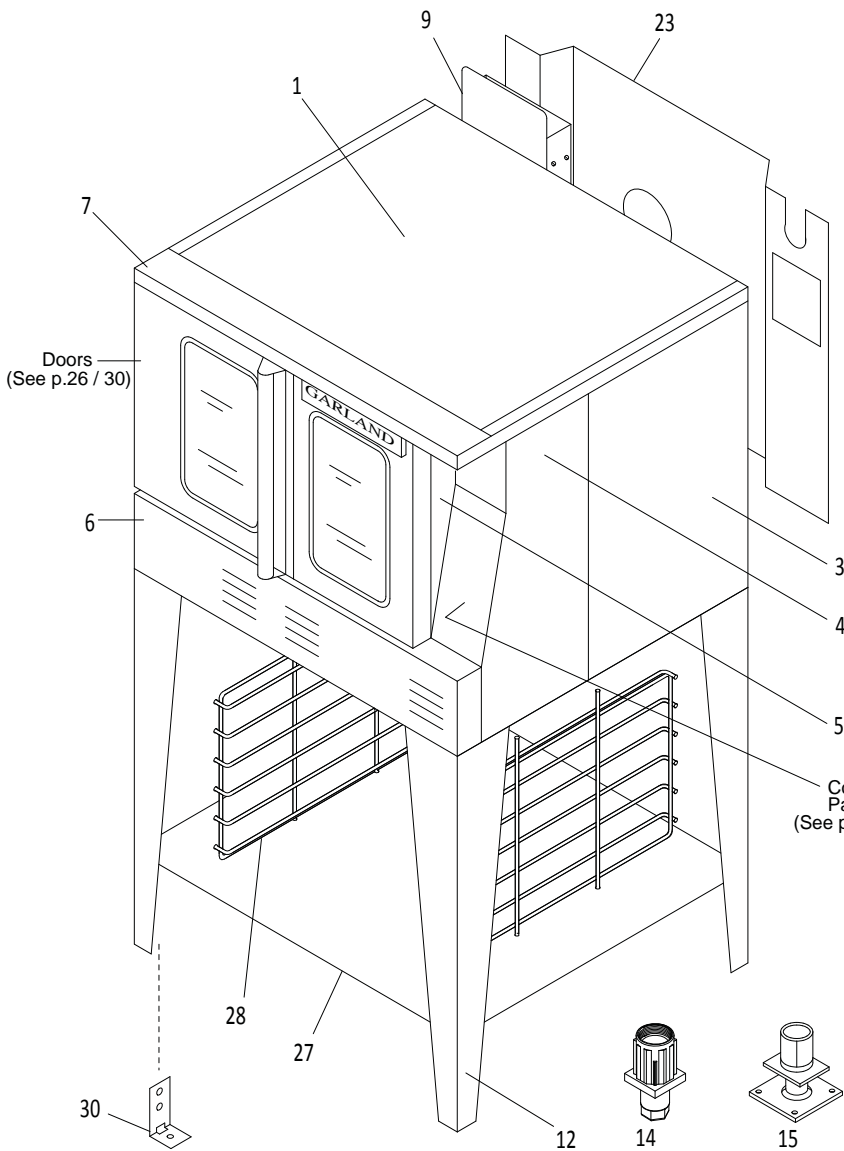
EXTERIOR COMPONENTS



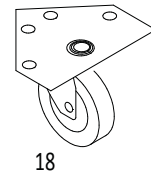
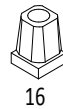
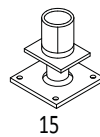
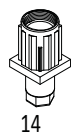
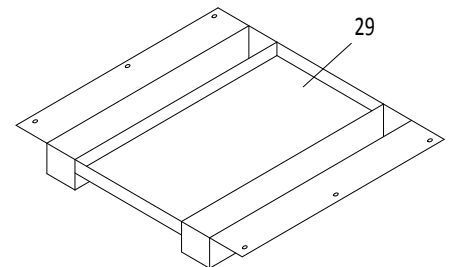
LEFT SIDE VIEW



REAR VIEW



DOUBLE DECK with FLUE ASSEMBLY and LEGS



Exterior Components

GARLAND PARTS IDENTIFICATION

Master Series Full Size Electric Convection Ovens

models MCO-ES/ED-10/20, MCO-ES/ED-10/20-S

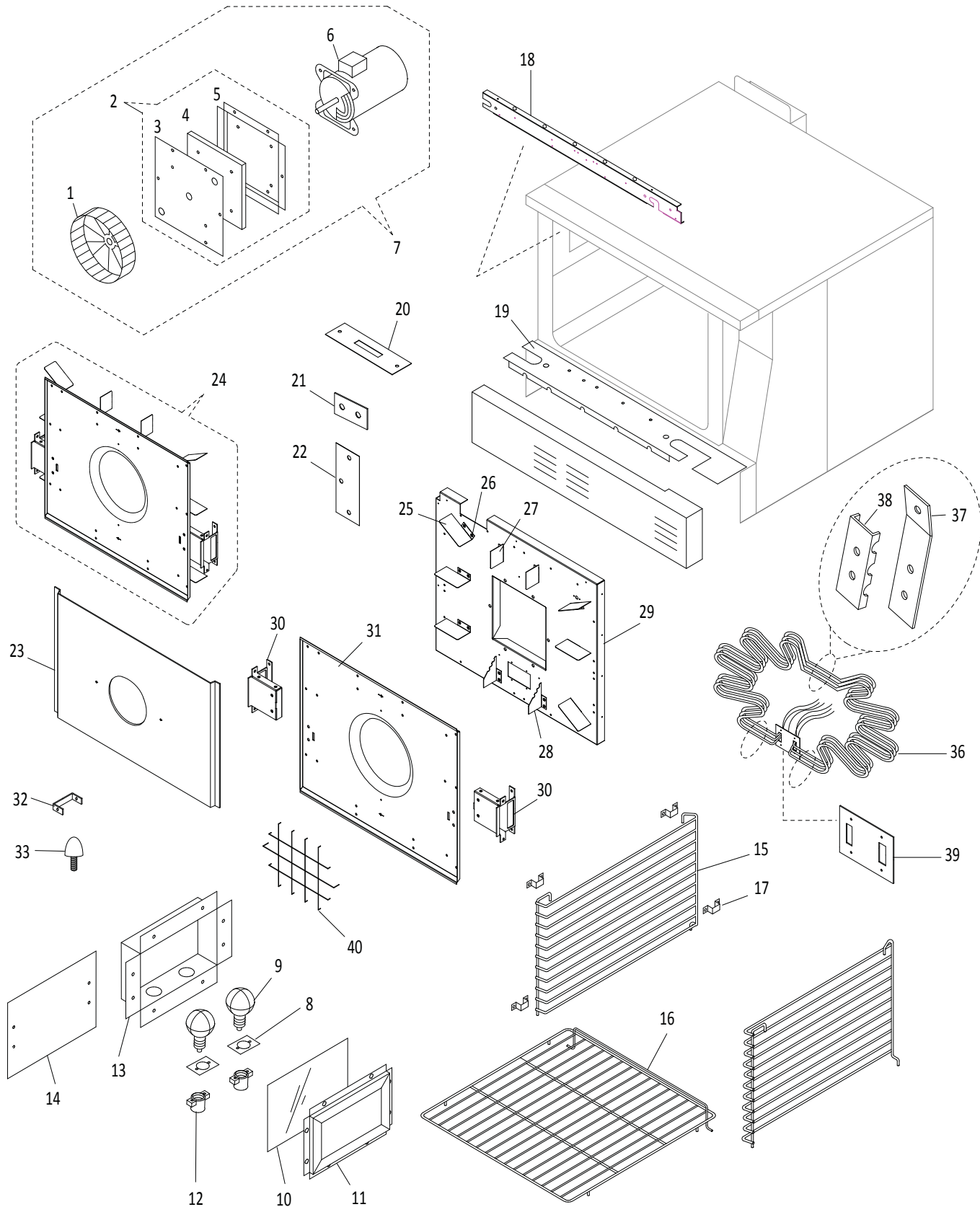
EXTERIOR COMPONENTS

ITEM	PART #	DESCRIPTION	QTY	FROM DATE	UP TO DATE	CRITICAL
1	1917602	Cover - Main Top, SS	1			
2	1920201	Cover - Body Side, Left, SS	1			
3	1918701	Cover - Body Side, Right, SS	1			
4	1918801	Cover - Control Panel, Right, SS	1			
	1925999	Cover - Control Panel, Right (Prison)	1			
5	1925501	Cover - Control Panel, Left, SS	1			
	1925599	Cover - Lockable Control Panel (Prison)	1			
6	4519724	Cover - Lower Front Trim, SS	1			
7	1925301	Cover - Upper Front Trim, SS	1			
9	1919999	Vent Assembly - Outer (Standard or Deep)	1			
10	1919399	Vent Assembly - Standard	1			
	1919398	Vent Assembly - Deep	1			
11	CK1920099	Flue Assembly for Double Deck Note: Kit includes sheet metal flue channels (part# 1920001, 1920002) and fasteners (8002106).	1			
12	1927199	Leg - Sing Deck, for Caster, SS, approx. 19-3/4"H	4			
	1927197	Leg - Sing Deck, for Foot Insert, SS, 24"H	4			
13	1927195	Leg - Double Stack, SS	4			
14	1236100	1-1/2" Square Foot Insert - Chrome Plated	4			
15	1949701	Flanged Foot Insert (Optional Feature)	4			
16	1775102	Caster Insert (Single Deck Only)	4			
17	1926501	Caster - 4" Swivel without Brake, 3/4NPT	4			
	1926502	Caster - 4" Swivel with Brake, 3/4NPT	4			
18	1926531	Heavy Duty Caster - 5" Swivel NO Brake, Double Deck	4			
	1926532	Heavy Duty Caster - 5" Swivel WITH Brake, Double Deck	4			
	4524736	Kit - Casters 3" Swivel without Brake (low profile) Note: Kit Includes Two Casters	1			
	4524737	Kit - Casters 3" Swivel with Brake (low profile) Note: Kit Includes Two Casters	1			
19	1029426	3/8 BX Cable 26" Long	1			
20	1028501	BX Connector - Straight	1			
21	1927899	Element Wire Raceway	1			
23	1921001	Cover - Main Back, Std SS	1			
	1921003	Cover - Main Back, Deep SS	1			
	1921098	Cover - Main Back, Std Depth (Prison)	1	APR/00	FEB/02	
	1921089	Cover - Back, Standard Depth (Prison)	1	FEB/02		
	1921099	Cover - Main Back, Deep Electric (Prison)	1	APR/00	FEB/02	
	1921087	Cover W/A-Deep Depth Electric (Prison)	1	FEB/02		
	1921086	Cover W/A-Deep Depth 460V (Prison)	1			
24	1919001	Cooling Fan Guard - 120mm	1			
27	1926902	Panel - Open Base, SS	1			
28	1926702	Rack Guide - Lower, Open Base	2			
29	1926802	Support - Rack Guide, Upper	1			
30	1927001	Clip - Lower Rack Guide Support	4			
31	1916301	Probe Connector Cover	1			

* NOT ILLUSTRATED

RECOMMENDED STOCK PARTS

OVEN COMPONENTS



GARLAND PARTS IDENTIFICATION
Master Series Full Size Electric Convection Ovens
models MCO-ES/ED-10/20, MCO-ES/ED-10/20-S

OVEN COMPONENTS

ITEM	PART #	DESCRIPTION	QTY	FROM DATE	UP TO DATE	CRITICAL
1	G02952-01P	Blower Wheel Assembly Plated	1			
2	1916499	Motor Pocket Assembly	1			
3	1916401	Plate, Motor Pocket Front	1			
4	1915921	Insulation - Motor Pocket	1			
5	1916402	Motor Pocket Back	1			
6	1686712	Motor 3/4 HP, 208/240V, 2 Speed	1			
7	CK1003091	Motor Assembly - 2 Speed - 208/240 V	1			C
8	1025900	Light Socket Gasket	2			
9	1623900	Light Bulb - 40W	2			
10	1676901	Glass, High Temp	1			
11	1921801	Cover, Light Box	1			
12	1025800	Lamp Socket - Porcelain	2			
13	1921902	Light Box	1			
14	1928299	Plate, Light Box Patch - Porcelain (for no oven light option)	1			
	1928201	Plate, Light Box Patch - SS (for no oven light option)	1			
15	1922001	Oven Rack Guide - 10 Positions, Standard	2			
	1922002	Oven Rack Guide - 10 Positions, Deep	2			
	1922101	Oven Rack Guide - 13 Positions, Standard	2			
	1922102	Oven Rack Guide - 13 Positions, Deep	2			
16	1922211	Oven Rack - Standard	6			
	1922212	Oven Rack - Deep	6			
17	1765212	Oven Rack Clip	8			
18	1925201	Channel - Upper Hinge	1	14-APR/05		
19	1925202	Channel - Lower Hinge	1	14-APR/05		
20	4527190	Oven Vent Cap - MCO, Electric	1			
21	1843301	Probe Patch (for SS Interior Option)	1			
22	1809301	Inlet Patch	2		18-SEP/09	
23	1901602	Baffle - MCO (No Longer Available) Note: Unit manufactured UP TO 18-Sep-2009 requires item# 24.	1	NLA	18-SEP/09	
24	CK4527817	Kit - MCO Electric, Fan Cover with Air Diverter Note: <ul style="list-style-type: none"> • Use this Kit for any unit built UP TO 18-Sep-2009. • Kit includes an Air Diverter Assembly (as shown), an Oven Vent Cap, fasteners, and an instructions. 	1		18-SEP/09 (SEE NOTE)	
25 ⁺⁺	4527186	Air Diverter - 4.75"	6	19-SEP/09		
26	8002106	#10 x 1/2", SMSCP, TH PHIL-A, STL 2P	20	19-SEP/09		
27 ⁺⁺	4527187	Air Diverter - 3"	2	19-SEP/09		
28 ⁺⁺	4527188	Air Diverter - Bottom	2	19-SEP/09		
29 ⁺⁺	4527185	Cavity Back Panel (Porcelain)	1	19-SEP/09		
	4527276	Cavity Back Panel (SS)	1	19-SEP/09		
30 ⁺⁺	4527194	Fan Cover Mounting Assembly	2	19-SEP/09		
31 ⁺⁺	4527191	Fan Cover Back	1	19-SEP/09		
32	1925006	Baffle Mounting Bracket (No Longer Available)	2	NLA	18-SEP/09	
33	8005000	1/4 Turn Pin	2		18-SEP/09	
34*	8005100	1/4 Turn Fastener Receptable	4			

* NOT ILLUSTRATED

RECOMMENDED STOCK PARTS

** **Note:** For units built FROM 19-Sep-09 / serial# 0909100200337 / model# MCO-ED-10-0007.

GARLAND PARTS IDENTIFICATION
Master Series Full Size Electric Convection Ovens
models MCO-ES/ED-10/20, MCO-ES/ED-10/20-S

OVEN COMPONENTS

ITEM	PART #	DESCRIPTION	QTY	FROM DATE	UP TO DATE	CRITICAL
36	4518354	Complete Element Assembly - 10 kW 208V	1			C
	4518356	Complete Element Assembly - 10 kW 240V	1			C
	4518357	Complete Element Assembly - 10 kW 460V	1			C
	Note: A Complete Element Assembly includes heating elements, mounting brackets (item 37), element clamps (item 38), and wire leads.					
37	1925007	Bracket - Element Mounting	3			
38	1547600	Element Clamp	3			
39	1928205	Plate - Element Opening	1			
40	1014500	Blower Inlet Cover	1			
41*	113361	Insulation Kit - Standard Depth	1			
	113364	Insulation Kit - Deep Depth	1			
42*	1959401	Drip Pan - S/S, Standard Depth	1			
	1959402	Drip Pan - S/S, Deep Depth	1			

* NOT ILLUSTRATED

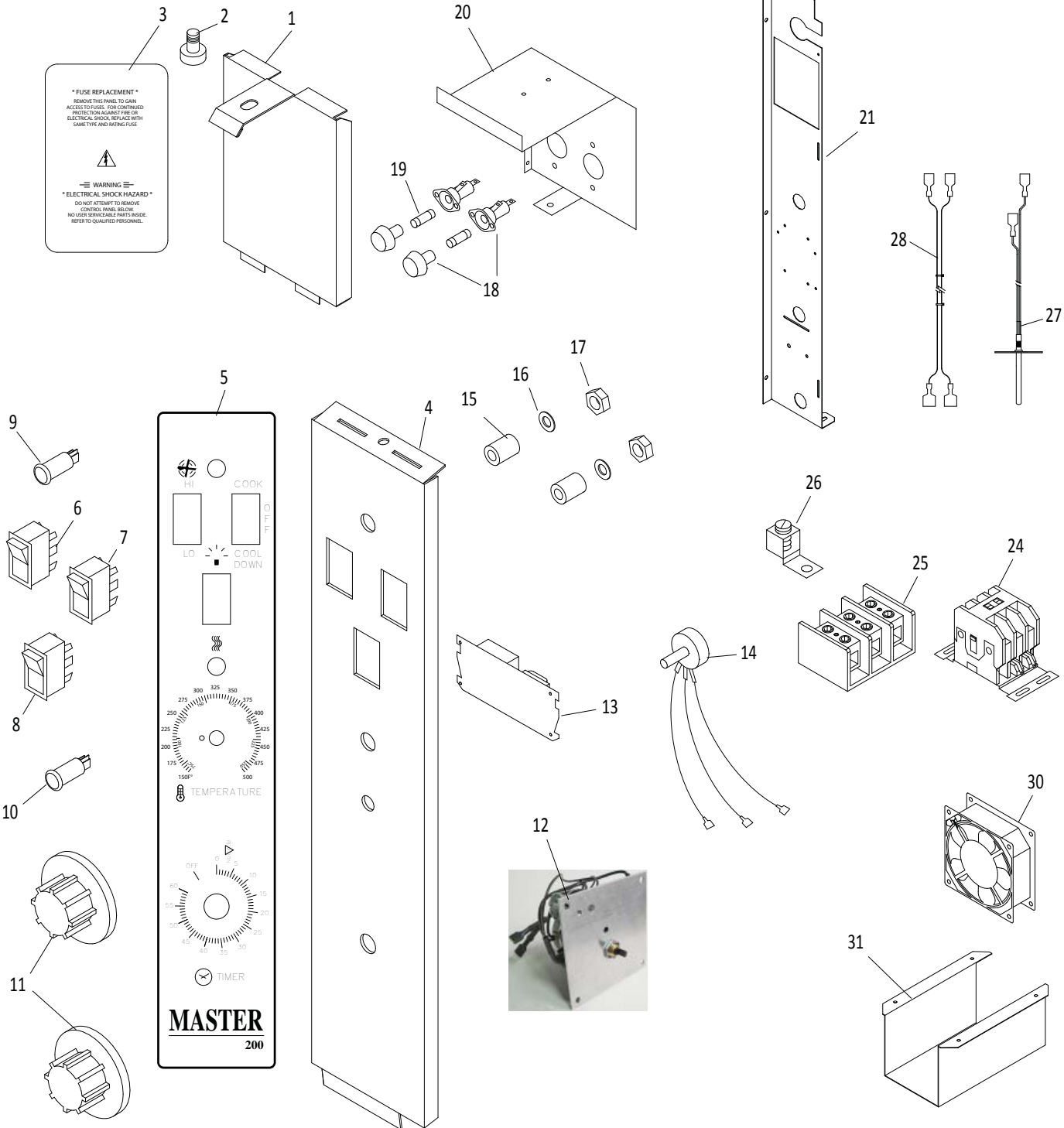
RECOMMENDED STOCK PARTS

** **Note:** For units built FROM 19-Sep-09 / serial# 0909100200337 / model# MCO-ED-10-0007.

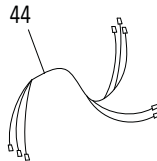
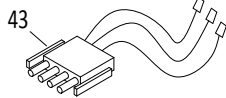
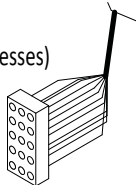
Blank Page

MASTER 200 CONTROL PANEL & COMPONENTS

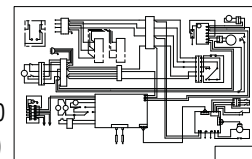
MASTER 200 control (Introduced in May, 2001)



40 - 44
(Wire Harnesses)



50
(Wiring Diagrams)



GARLAND PARTS IDENTIFICATION
Master 200 Full Size Electric Convection Ovens
models MCO-ES/ED-10/20-S

MASTER 200 MANUAL CONTROL PANEL & COMPONENTS (FROM MAY-2001)

ITEM	PART #	DESCRIPTION	QTY	FROM DATE	UP TO DATE	CRITICAL
1	1918501	Cover - Upper Control Panel, SS	1			
2	GF297	Slotted Thumb Screw 10-24 x 1/2"	1			
3	1933511	Overlay - Top Control Panel, Electric	1			
4	CK1946690	Control Panel Mechanical	1			
5	1908526	Overlay - IM200 Manual Control	1			
6	1955402	Rocker Switch - 2 Positions, Hi/Low	1			C
7	1955401	Rocker Switch - 3 Positions, Cook/Off/CoolDown	1			C
8	1955403	Momentary Rocker Switch	1			C
9	1936102	Indicator Lamp - Green 250V	1			
10	1936104	Indicator Lamp - Amber 250V	1			
11	1765802	Fluted Knob with two Set Screws	2			
12	1956002	Electro-Mechanical Timer - 1 Hour, 240V 50/60Hz	1			C
13	300867	Power Control Board - Solid State Controller, 150-500 deg F Note: Related Bulletin - GAR-03-12-AIC.	1			C
14	1955601	Potentiometer	1			C
15	1955701	Nylon Standoff - 1/4 x 1/2 x 1	2			
16	1955801	Teflon Washer - 7/16 OD	2			
17	8001502	Nut with Lockwasher - 6-32 Kep, Zinc	2			
18	1130102	Fuse Holder	2			
	1130100	Fuse Holder (460V ONLY)	2			
19	1130103	Fuse - 20A 208/240V	2			C
	1130109	Fuse - 15A 600V Class CC	2			C
20	1918989	Bracket - Fuse Mount	1			
21	1926001	Panel - Right Side, Mid	1			
24	1637002	Main Contactor - 240V Coil Note: Used FROM: serial# 0106CJ0401 or units with 13-digits serial#. (Ref: original - mercury contactor 9005400)	1	JUN/01		C
25	1193900	Terminal Block - 3 Pole, High Voltage	1			C
26	1028402	Ground Lug - 208/240V	1			
27	1906002	Probe - RTD, Flange Mount (USE ONLY WITH 1906003)	1			C
28	1906003	Cable Assembly - Probe Extension (USE ONLY WITH 1906002)	1			C
29*	1033700	460V Transformer 2KVA 50/60Hz (460V ONLY)	1			
30	1671101	Cooling Fan 208 / 240 V Note: For Fan Installation, refer to Service Bulletin B-97-2009-S.	1			C
31	1918001	Air Exhaust Duct - Standard Depth	1			
	1918002	Air Exhaust Duct - Deep	1			
40*	1949576	Wire Harness - Mechanical Control Panel (Ref: original 1949576)	1	JULY/11		
41*	1949585	Wire Harness - Electric Elements	1			
42*	1949584	Wire Harness - 460V Transformer	1			
43	1949579	Wire Harness - Lights	1			
44	1949589	Wire Harness - Electrics	1			
50*	1949515	Wiring Diagram - 460V 60 Hz	1			
	1949514	Wiring Diagram - 208/240V Electric Mechanical	1			
Note: Diagram part#s listed For Reference Only. Please contact Technical Service for assistance.						
51*	4522523	Conversion Kit - from Digital to Manual Controller FOR MCO with FASTRON Controller Note: Kit includes items 4, 5, 6, 7, 8, 9, 10, 11, 12, 13, 14, 15, 16, 17, 40, door micro-switch (4519715), switch harness(1949575), transition harness(4522524), wiring diagrams (4522526, 4518907), and instructions.				

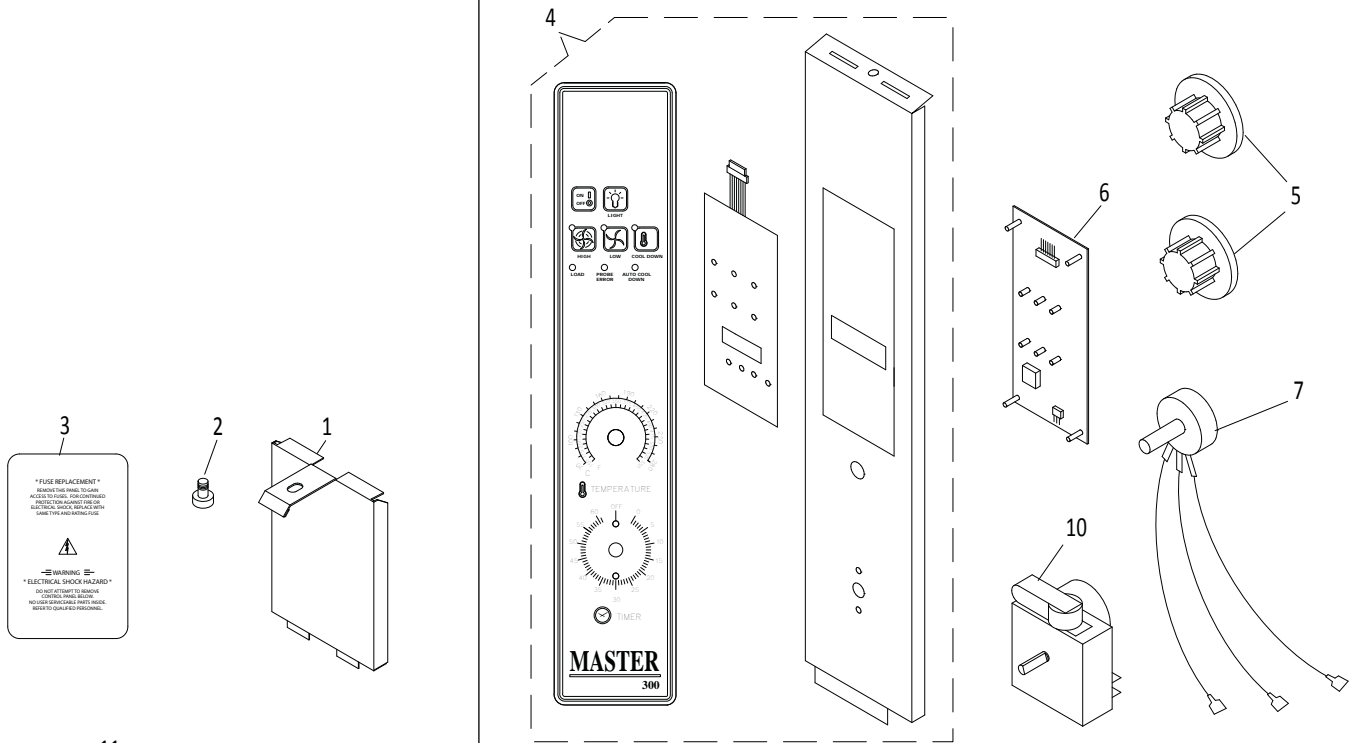
* NOT ILLUSTRATED

RECOMMENDED STOCK PARTS

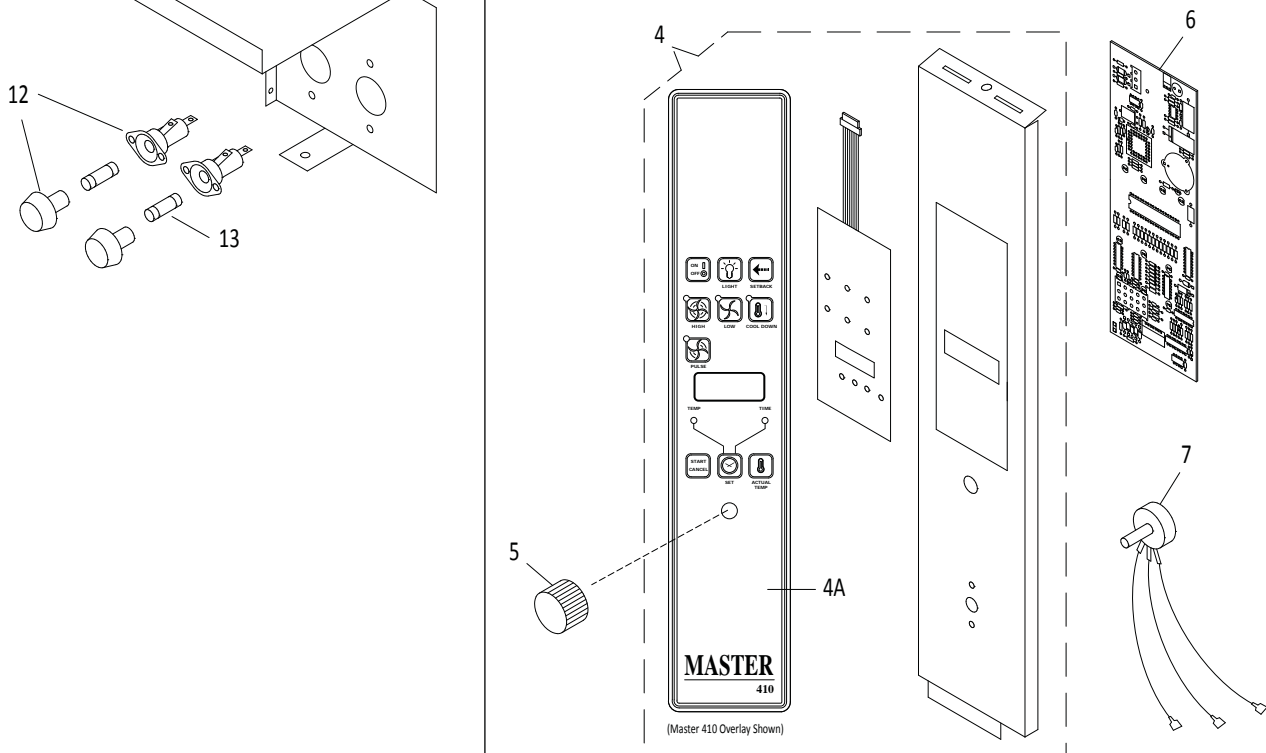
NLA = No Longer Available

CONTROL PANELS & COMPONENTS (1 of 2)

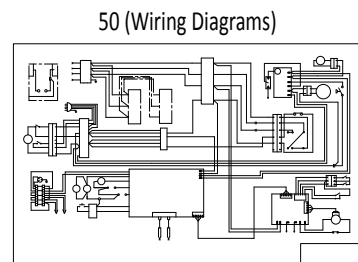
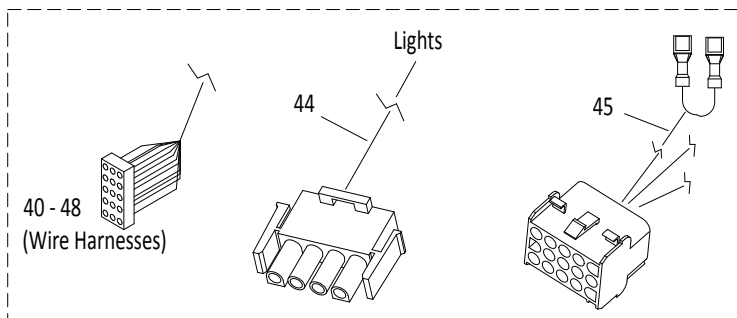
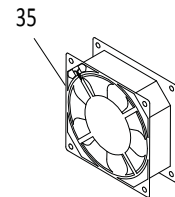
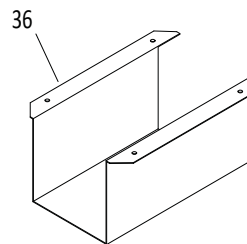
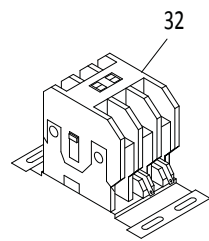
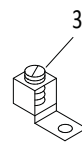
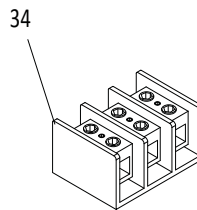
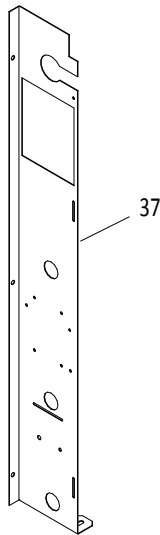
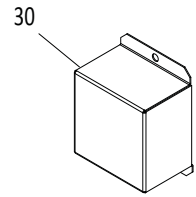
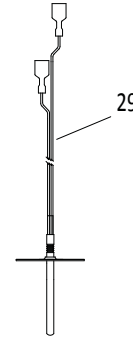
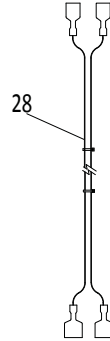
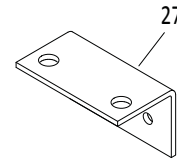
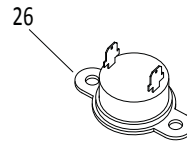
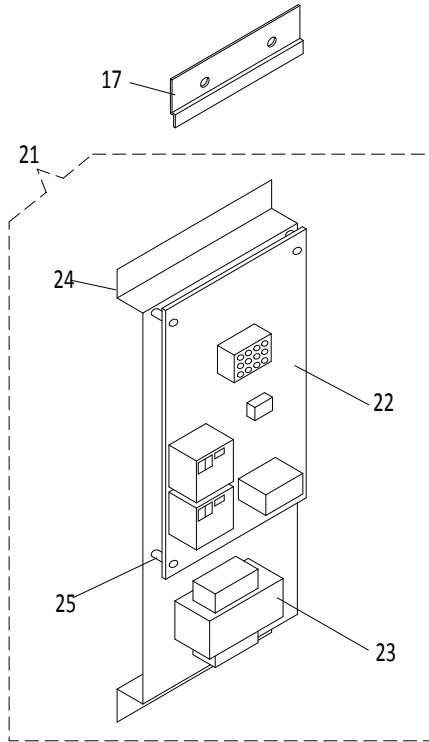
300 Series Control (FROM Mar-1999 TO Mar-2003)



410 Series Control (Introduced in March, 1999. Obsolete Model.) 470/475 Series (FROM Apr-2000 TO 2009)



CONTROL PANELS & COMPONENTS (2 of 2)



GARLAND PARTS IDENTIFICATION
Master Series Full Size Electric Convection Ovens
models MCO-ES/ED-10/20

(OBSOLETE) MASTER 300 / 410 / 470 / 475
CONTROLS PANELS & COMPONENTS

ITEM	PART #	DESCRIPTION	QTY	FROM DATE	UP TO DATE	CRITICAL
1	1918501	Cover - Upper Control Panel, SS	1			
2	GF297	Slotted Thumb Screw #10-24 x 1/2"	1			
3	1933511	Overlay - Top Control Panel, Electric MCO	1			
	1908522	Overlay - Top Control Panel, Electric MCO (Olive Garden)	1			
4	1952893	IM300 Replacement Panel - 300L Keypad, with Light	1			
	CK1952894	IM300 Replacement Panel - 300N Keypad, without Light	1			
	1952899	IM410 Replacement Panel	1			
	1952896	IM470 Replacement Panel	1			
	1952895	IM475 Replacement Panel	1			
Note: Keypad and S/S Panel are not field replaceable.						
4A	1908513	Overlay - IM300, with Light	1			
	1908514	Overlay - IM300, without Light	1			
	1908501	Overlay - IM410	1			
5	1765802	Fluted Knob with two Set Screws (IM300 ONLY)	2			
	1720502	Fast Control Knob	1			
6	1905701	IM300 Digital Control Board	1			C
	1905702	IM410 Digital Control Board Note: Use Conversion Kit 4522523. For a list of components in this Kit, see Master 200 Manual Control (p.13, item 51). Ref: Bulletin# BI-06-2012-P.	1	NLA	NLA	C
		4514192	IM470 Digital Control Board (OBSOLETE) Note: Item will not be available once stock is out.	1		
	1905708	IM475 Digital Control Board	1	NLA	NLA	
7	1911801	IM300 Potentiometer (IM300 ONLY)	1			
	1911601	Potentiometer / Encoder	1			
10	1285701	IM300 - Timer - 1 Hour, 230V	1		FEB/07	
	1956002	IM300 - Timer - 1 Hour, 240V, with Alarm	1	FEB/07		C
	1956001	IM300 - Timer - 1 Hour, 115V, with Alarm (Olive Garden)	1			
11	1918989	Fuse Mounting Bracket	1			
12	1130102	Fuse Holder	2			
	1130100	Fuse Holder (460V MCO ONLY)	2			
13	1130109	Fuse - 15A 600V Class CC	2			C
	1130103	Fuse - 20A 300V SC-20	2			C
14*	1955703	Nylon Standoff - 1/4 dia x 9/16 long	2 TO 6			
15*	8003123	MSCR-TH-Phil 10-24 x 5/8	2 TO 8			
16*	8001502	Nut with Lockwasher - 6-32 Kep, Zinc	2 TO 6			
17	1911301	Relay Bracket Slide	2			
21	S113851	Relay Board Assembly - 208/240V Note: Assembly includes items 22, 23 (part# 1917198), 24, 25.	1			C
22	1916901	Relay Board PCB Assembly	1			C
23	1917198	Transformer - 208/240V to 24VAC	1			C
23A*	1033700	Transformer - 460V 2KVA 50/60Hz (460V MCO ONLY)	1			C
24	1916801	Bracket - Relay Board Assembly	1			
25	1767901	Nylon Spacers	4			

* NOT ILLUSTRATED

RECOMMENDED STOCK PARTS

NLA = No Longer Available

GARLAND PARTS IDENTIFICATION
Master Series Full Size Electric Convection Ovens
models MCO-ES/ED-10/20

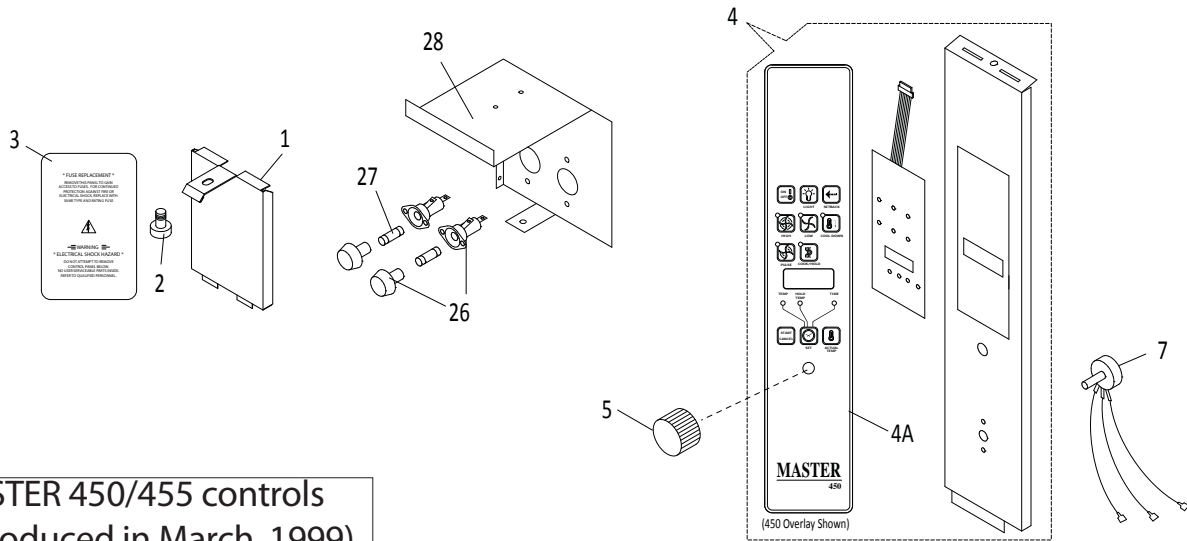
(OBSOLETE) MASTER 300 / 410 / 470 / 475
CONTROLS PANELS & COMPONENTS

ITEM	PART #	DESCRIPTION	QTY	FROM DATE	UP TO DATE	CRITICAL
26	1955101	Switch - Thermal Disc, Cooling Fan	1			C
27	1910901	Bracket - Hi Limit or Thermal Disc	1			
28	1906003	Cable Assembly - Probe Extension (USE ONLY WITH 1906002)	1			C
29	1906002	Probe - RTD, Flange Mount (USE ONLY WITH 1906003)	1			C
30	1916301	Cover - Probe Connector	1			
31	1028402	Ground Lug	1			
32	1637002	Contactora - 240V Coil Note: Used FROM serial# 0106CJ0400. (Ref: original - mercury contactor 9005400)	1	JUNE/01		
34	1193900	Terminal Block - 3 Pole - for 208/240V	1			C
		Terminal Block - 3 Pole - for 380/415V	2			C
	4516982	Terminal Block - 10mm	1			C
35	1671101	Cooling Fan 208 / 240 V Note: For Fan Installation, refer to Service Bulletin B-97-2009-S.	1			C
36	1918001	Air Exhaust Duct - Standard Depth	1			
	1918002	Air Exhaust Duct - Deep	1			
37	1926001	Panel - Right Side, Mid	1			
40*	1804728	Harness - MCO Main	1		JULY/01	
41*	1949589	Harness - Electric	1	JULY/01		
42*	1949585	Harness - Electric Elements	1	JULY/01		
43*	1949584	Harness - 460V Transformer (460V MCO ONLY)	1	JULY/01		
44	1949579	Harness - Lights	1	JULY/01		
45	1949578	Harness - Fast Relay Board	1	JULY/01		
46*	1905901	Harness - Control to Relay	1			
48*	1804710	Harness - Arby Electric	1	NLA	JUNE/01	
	1949586	Harness - Arby Electric, 208/240V	1	JULY/01		
50*	1949504	Wiring Diagram - Fast Electric 208/240V	1			
	1949505	Wiring Diagram - Fast Electric 460V 60Hz	1			
	1949506	Wiring Diagram - Fast Electric 380/415V 50Hz	1			
Note: Diagram part#s listed For Reference Only. Please contact Technical Service for assistance.						

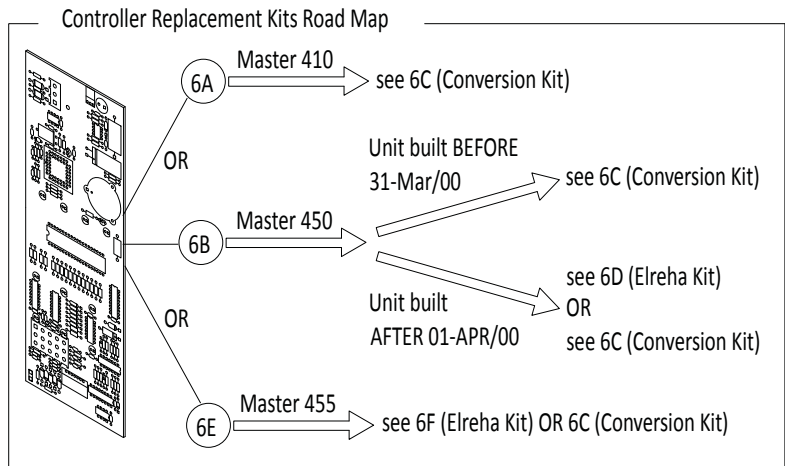
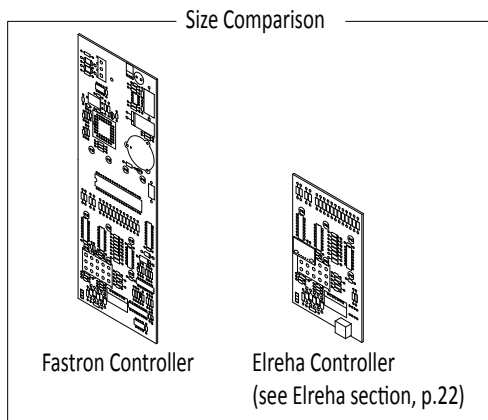
* NOT ILLUSTRATED

RECOMMENDED STOCK PARTS

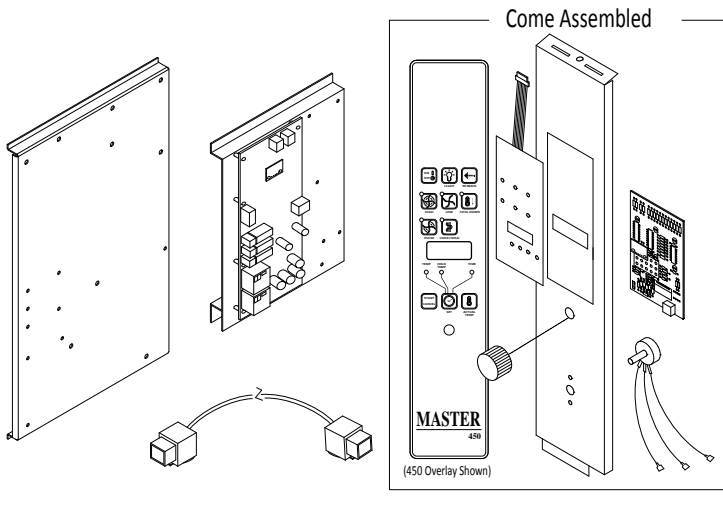
NLA = No Longer Available



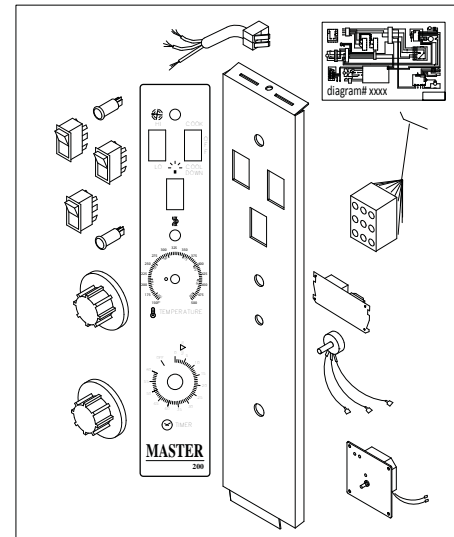
MASTER 450/455 controls
(Introduced in March, 1999)

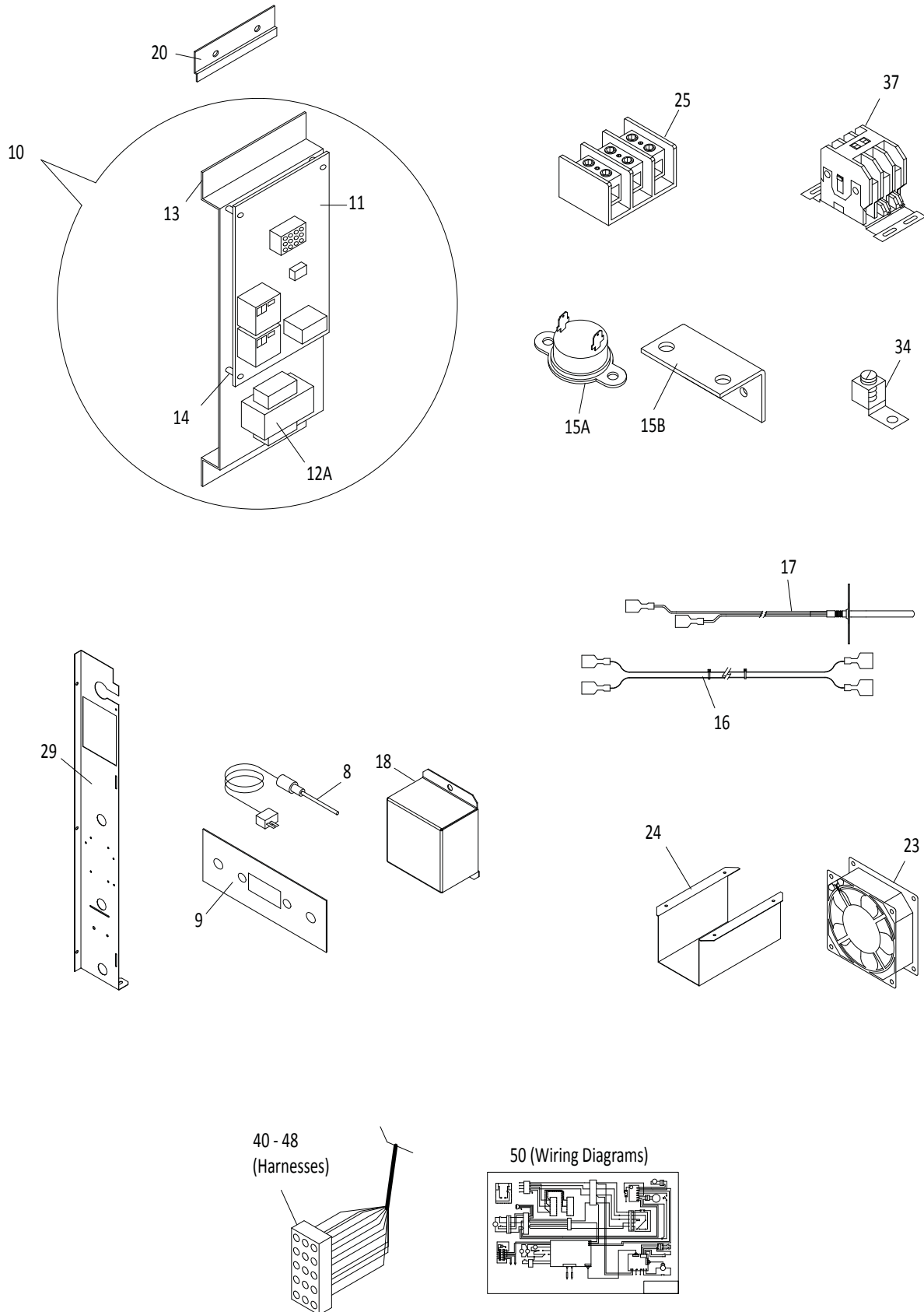


Controller Replacement Kits (6D / 6F)
Convert from Fastron to Elreha controller



Controller Conversion Kit (6C)





GARLAND PARTS IDENTIFICATION
Master 450/455 Full Size Electric Convection Ovens
models MCO-ES/ED-10/20

(FASTRON) MASTER 450 / 455 DIGITAL CONTROL PANELS & COMPONENTS

ITEM	PART #	DESCRIPTION	QTY	FROM DATE	UP TO DATE	CRITICAL
1	1918501	Cover - Upper Control Panel, SS	1			
2	GF297	Slotted Thumb Screw #10-24 x 1/2"	1			
3	1933511	Overlay - Top Control Panel, Electric MCO	1			
4	1952898	Control Panel Assembly - Master 450 Keypad, with Light Note: Assembly Includes a S/S Panel, a Key-Pad Control and Overlay (1908503). S/S Panel and Key Pad Not Sold Separately.	1			
	CK1952897	Control Panel Assembly - Master 455 Keypad, with Light Note: Assembly Includes a S/S Panel, a Key-Pad Control and Overlay (1908505). S/S Panel and Key Pad Not Sold Separately.	1			
4A	1908503	Overlay - Master 450 with Light	1			
	1908505	Overlay - Master 455 with Light	1			
5	1720502	Fast Control Knob	1			
6A	1905702	Master 410 Digital Controller Note: Use Kit 4522523 (#6C) Ref: Bulletin# BI-06-2012-P.	1	NLA	NLA	C
6B	1905703	Master 450 Digital Controller with Cook-N-Hold Note: Use Kit 4522523 (#6C) or 4529705 (#6D). See road map in illustration. Ref: Bulletin# BI-06-2012-P.	1	NLA	NLA	C
6C	4522523	Controller Replacement/Conversion Kit (Electric) - Convert from digital to manual control Note: This Kit is the ONLY OPTION available for any unit built before 31-March/2000 . For a list of components in this Kit, see Master 200 Manual Control (p.13, item 51). Ref: Bulletin# BI-06-2012-P.	1			C
6D	4529705	Controller Replacement Kit - MCO 450 (Gas/Electric), Elreha Note: Use this Kit for any unit manufactured after 01-April/2000 . Kit includes a panel assembly with Elreha control, a relay board assembly, a cable, a bracket and instructions (4529741). Ref: Bulletin# BI-06-2012-P.	1			C
6E	1905704	Master 455 Digital Controller with Cook-N-Hold and Core Probe Note: Use Kit 4529706 (item 6F). Ref: Bulletin# BI-06-2012-P.	1	NLA	NLA	C
6F	4529706	Controller Replacement Kit - MCO 455 (Gas/Electric), Elreha Note: Kit includes a panel assembly with Elreha control, a relay board assembly, a cable, a bracket and instructions (4529741). Ref: Bulletin# BI-06-2012-P.	1			C
7	1911601	Potentiometer / Encoder	1			
8	1906004	Core Probe (Meat Probe) - IM455 ONLY	1			
9	1946701	Core Probe Bracket - IM455 ONLY	1			
10	S113851	Relay Board Assembly - 208/240V Note: Assembly includes items 11, 12A, 13, 14.	1			C
11	1916901	Relay Board PCB Assembly	1			C

* NOT ILLUSTRATED

RECOMMENDED STOCK PARTS

NLA = No Longer Available

GARLAND PARTS IDENTIFICATION
Master 450/455 Full Size Electric Convection Ovens
models MCO-ES/ED-10/20

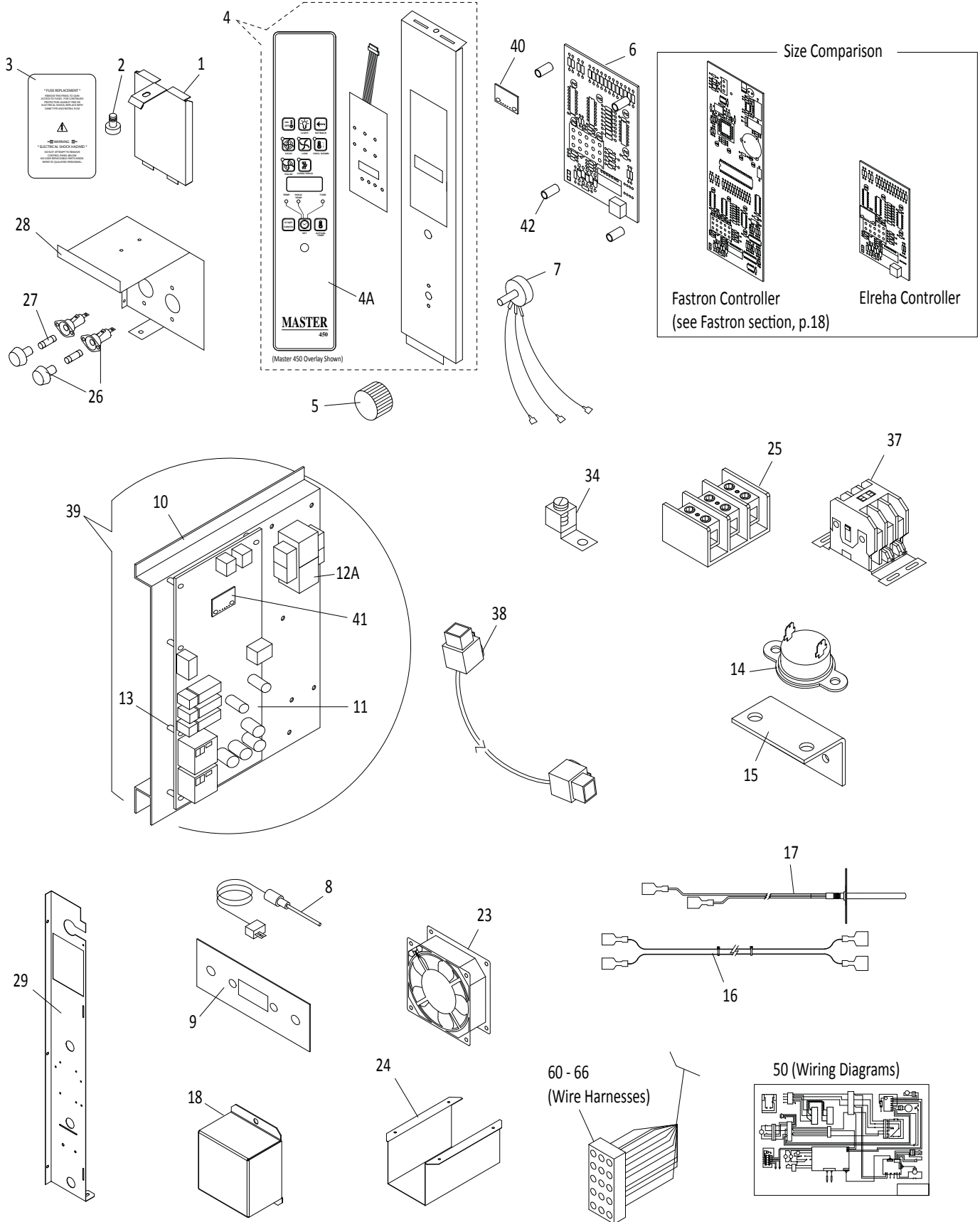
(FASTRON) MASTER 450 / 455 DIGITAL CONTROL PANELS & COMPONENTS

ITEM	PART #	DESCRIPTION	QTY	FROM DATE	UP TO DATE	CRITICAL
12A	1917198	Transformer - 208/240V to 24VAC	1			C
12B*	1033700	Transformer - 460V 2KVA 50/60Hz (460V MCO ONLY)	1			C
13	1916801	Bracket - Relay Board Assembly	1			
14	1767901	Nylon Spacers	4			
15A	1955101	Switch - Thermal Disc, Cooling Fan	1			C
15B	1910901	Bracket - Hi Limit or Thermal Disc	1			
16	1906003	Cable Assembly - Probe Extension (USE ONLY WITH 1906002)	1			C
17	1906002	Probe - RTD, Flange Mount (USE ONLY WITH 1906003)	1			C
18	1916301	Cover - Probe Connector	1			
20	1911301	Relay Bracket Slide	2			
23	1671101	Cooling Fan 208 / 240 V Note: For Fan Installation, refer to Service Bulletin B-97-2009-S.	1			C
24	1918001	Air Exhaust Duct - Standard Depth	1			
	1918002	Air Exhaust Duct - Deep Depth	1			
25	1193900	Terminal Block - 3 Pole - for 208/240V	1			C
		Terminal Block - 3 Pole - for 380/415V	2			C
	4516982	Terminal Block - 10mm	1			C
26	1130102	Fuse Holder	2			
	1130100	Fuse Holder (460V MCO ONLY)	2			
27	1130109	Fuse - 15A 600V Class CC	2			C
	1130103	Fuse - 20A 300V SC-20	2			C
28	1918989	Fuse Mounting Bracket	1			
29	1926001	Panel - Right Side, Mid	1			
34	1028402	Ground Lug	1			
37	1637002	Contactors - 240V Coil Note: Used FROM serial# 0106CJ0400. (Ref: original - mercury contactor 9005400)	1	JUN/01		C
40*	1804728	Harness - MCO Main	1		JULY/01	
41*	1949589	Harness - Electric	1	JULY/01		
42*	1949585	Harness - Electric Elements	1	JULY/01		
43*	1949584	Harness - 460V Transformer (460V MCO ONLY)	1	JULY/01		
44	1949579	Harness - Lights	1	JULY/01		
45	1949578	Harness - Fast Relay Board	1	JULY/01		
46*	1905901	Harness - Control to Relay	1			
47*	1905902	Harness - Core Probe (Master 455 ONLY)	1			
48*	1804710	Harness - Arby Electric	1	NLA	JUN/01	
	1949586	Harness - Arby Electric, 208/240V	1	JULY/01		
50*	1949504	Wiring Diagram - Fast Electric 208/240V	1			
	1949505	Wiring Diagram - Fast Electric 460V 60Hz	1			
	1949506	Wiring Diagram - Fast Electric 380/415V 50Hz	1			
Note: Diagram part#s listed For Reference Only. Please contact Technical Service for assistance.						

* NOT ILLUSTRATED

RECOMMENDED STOCK PARTS

NLA = No Longer Available



GARLAND PARTS IDENTIFICATION
Master 450/455 Full Size Electric Convection Ovens
models MCO-ES/ED-10/20

(ELREHA) MASTER 450/455 DIGITAL CONTROL PANEL & COMPONENTS

ITEM	PART #	DESCRIPTION	QTY	CRITICAL
1	1918501	Cover - Upper Control Panel, SS	1	
2	GF297	#10-24 x 1/2" Slotted Thumb Screw	1	
3	1835906	Overlay - Top Control Panel, Electric MCO	1	
4	4530502	Master 450 Keypad Panel Kit (Elreha) Note: Assembly includes a S/S Control Panel, a Master 450 Overlay (4529263), and a Key Pad Control(Membrane Switch). S/S Panel and Key Pad Not Sold Separately.	1	
	4530503	Master 455 Keypad Panel Kit (Elreha) Note: Assembly includes a S/S Control Panel, a Master 455 Overlay (4529265), and a Key Pad Control(Membrane Switch). S/S Panel and Key Pad Not Sold Separately.	1	
4A	4529263	Overlay - Master 450 with Light, Elreha	1	
	4529265	Overlay - Master 455 with Light, Elreha	1	
5	1720502	Fluted Knob (Fast Control Knob)	1	
6	4527483	User Interface Board / UI Board (Elreha)	1	
7	1911601	Potentiometer - Encoder	1	C
8	1906004	Core Probe (Meat Probe) - for Master 455 Control Only	1	
9	1946701	Core Probe Bracket - for Master 455 Control Only	1	
10	113570	Bracket - Relay Panel/SRB Mounting, Elreha	1	
11	4527484	Relay Board / SRB - Digital Control, Elreha	1	C
12A	1917198	Transformer 208/240V to 24VAC	1	C
12B*	1033700	460V Transformer 2KVA 50/60Hz (460V ONLY)	1	C
13	1767901	Nylon Spacers	8	
14	1955101	Switch - Thermal Disc, Cooling Fan	1	C
15	1910901	Hi-Limit Bracket	1	
16	1906003	Cable Assembly - Probe Extension (USE ONLY WITH 1906002)	1	C
17	1906002	Probe - RTD, Flange Mount (USE ONLY WITH 1906003)	1	C
18	1916301	Cover - Probe Connector	1	
20	1911301	Relay Bracket Slide	2	C
23	1671101	Boxer Cooling Fan 120mm 230V Note: For Fan Installation, refer to Service Bulletin B-97-2009-S.	1	C
	1918001	Air Exhaust Duct - Standard Depth	1	
24	1918002	Air Exhaust Duct - Deep Depth	1	
25	1193900	Terminal Block - 3 Pole, High Voltage	1	
26	1130102	Fuse Holder	2	
	1130100	Fuse Holder (460V ONLY)	2	
27	1130103	Fuse - 20A 208/240V	2	
	1130109	Fuse - 15A 600V Class CC	2	
28	1918989	Bracket - Fuse Mount	1	
29	1926001	Panel - Right Side, Mid	1	
34	1028402	Ground Lug	1	
37	1637002	Contactora 240V Coil	1	
38	4529003	Cable - UI/SRB 0.5M Elreha	1	
39	S113849	Relay Board Assembly - Electric, Elreha Note: Assembly includes a mounting panel (#10), relay board (#11), personality module, transformer (#12A - 1917198), and fasteners.	1	
40	4529740	Personality Module on UI, Elreha	1	
41	4529761	Personality Module on Relay Board/SRB, Elreha	1	
42	1955703	Standoff Nylon, 1/4" dia.	4	

* NOT ILLUSTRATED

RECOMMENDED STOCK PARTS

GARLAND PARTS IDENTIFICATION
Master 450/455 Full Size Electric Convection Ovens
models MCO-ES/ED-10/20

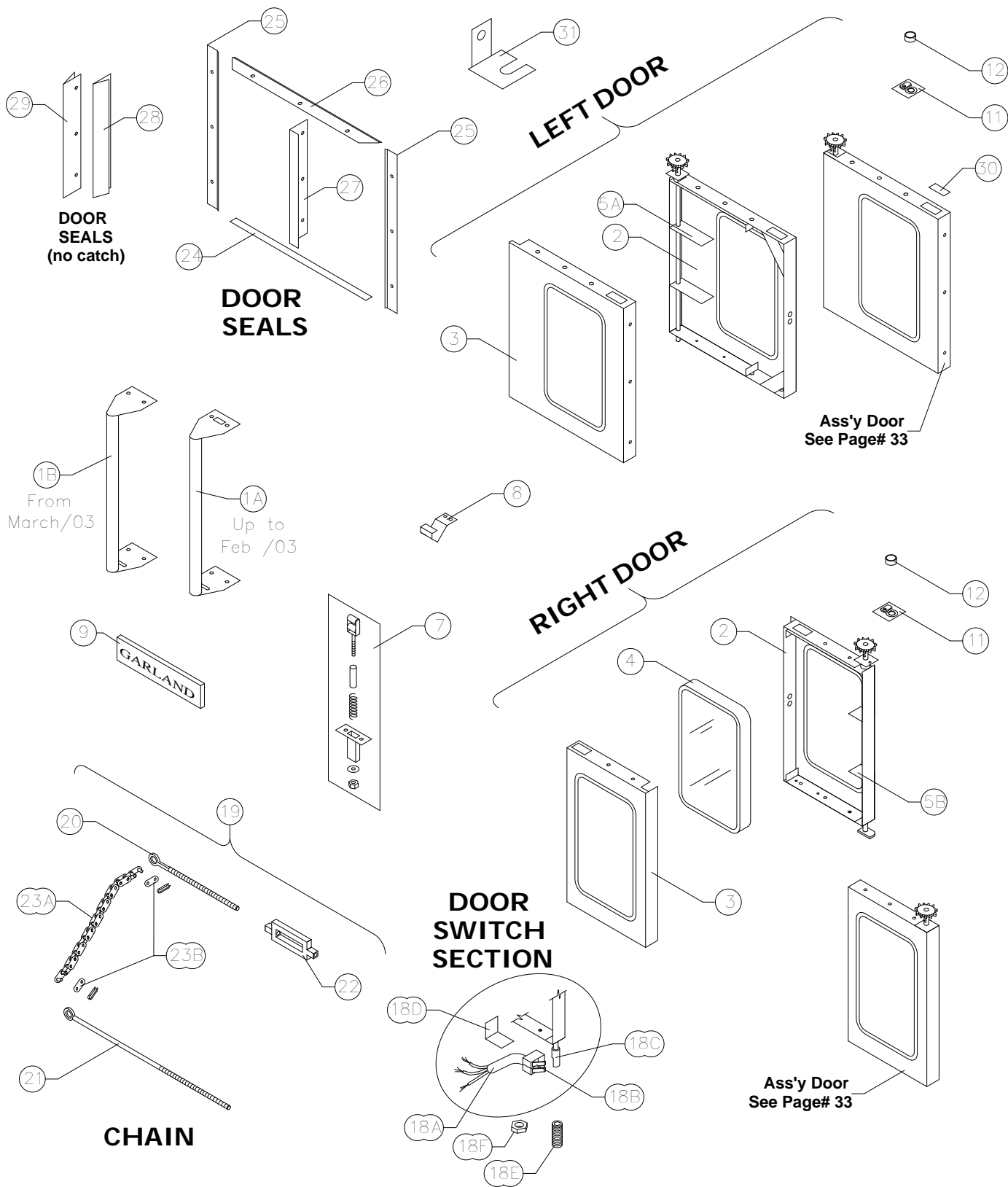
(ELREHA) MASTER 450/455 DIGITAL CONTROL PANEL & COMPONENTS

ITEM	PART #	DESCRIPTION	QTY	CRITICAL
50*	1949504	Wiring Diagram 208/240V Electric Fast Control	1	
	1949505	Wiring Diagram 460V 60Hz Electric Fast Control	1	
	Note: Wiring Diagram part#s listed For Reference Only. Please contact Technical Service for assistance.			
60*	1949578	Wire Harness - Fast Relay Board	1	
62*	1905902	Wire Harness - Core Probe, for Master 455 Control Only	1	
63*	1949585	Wire Harness - Electric Elements	1	
64*	1949584	Wire Harness - 460V Transformer	1	
65*	1949579	Wire Harness - Lights	1	
66*	1949589	Wire Harness - Electric	1	
45*	1949579	Wire Harness - Lights	1	
46*	1936095	Wire Harness - Ignition Module (IPI/DSI)	1	

* NOT ILLUSTRATED

RECOMMENDED STOCK PARTS

Blank Page



GARLAND PARTS IDENTIFICATION
MASTER FULL SIZE ELECTRIC CONVECTION OVEN
models MCO-ES/ED-10/20, MCO-ES/ED-10/20-S

DOOR COMPONENTS & ASSEMBLIES
(for units manufactured UP TO 14-APRIL-2005)

ITEM	PART #	DESCRIPTION	QTY	FROM DATE	UP TO DATE	CRITICAL
Complete Door Assembly Kits (see page 33)						
1A	CK1924395	Door Handle - Black	1		FEB-03	
1B	CK1924396	Door Handle - Black	1	MAR-03		
1C*	1922799	Wooden Handle Assembly (Olive Garden)	1	NLA	3-DEC-02	
2	CK1923997	Panel - Left Door Liner Window	1			
	CK1923996	Panel - Left Door Liner Solid	1			
	CK1923998	Panel - Right Door Liner Solid	1			
	CK1923999	Panel - Right Door Liner Window	1			
3	1924001	Panel - Left Door Solid	1			
	1924002	Panel - Left Door Window	1			
	1924007	Panel - Left Door Solid (Prison)	1			
	1924009	Panel - Left Door, (Olive Garden)	1			
	1924011	Panel - Left Door Window (Prison)	1			
	1924003	Panel - Right Door Solid	1			
	1924008	Panel - Right Door Solid (Prison)	1			
	1924010	Panel - Right Door, (Olive Garden)	1			
	1924004	Panel - Right Door Window	1			
4	1010999	Oven Door Window (3/16" Glass)	1			
5A	1923899	Frame W/A - Left Door	1		14-APR-05	
5B	1923898	Frame W/A - Right Door	1		14-APR-05	
6*	1925099	Bracket W/A - Door Hasp (Prison)				
7	CK1757998	Latch Bench Ass'y	1	AUG-95	JAN-03	
8	1925005	Bracket - Door Latch	1			
9	1902917	10" GARLAND Nameplate	1	NLA	SEP-01	
	3077100	7-5/8" GARLAND Nameplate	1	OCT-01		
10*	1925009	Plate - Door Hasp Back (Prison)				
11	1923499	Plate - Door Bushing	2		14-APR-05	
12	1923201	Spacer - Door Hinge	2			
18A	1804727	Harness - Door Micro Switch	1			
	1949575	Wire Harness - Mechanical Door Switches Note: IM200 Control Only.	1			
	1949574	Door Switch Wire Harness for Arby's ONLY	1			
18B	1855603	High Temp Micro Switch	2			
	4519715	Micro Switch Hi Temp - Hi Current Note: IM200 Control Only.	2			
18C	1925101	Cam - Door Switch	1			
18D	1925001	Bracket Door Switch Right	1			
18E	8003802	Set Screw 10x24x3/8"	2			
18F	8001203	Nut Hex Stl 8-32	2			
18G*	8001502	Nut w/Washer 6-32 ksp	2			
18H*	8003208	MSCR-PH-6 32x32 ST 2P	2			
19	4520166	Door Chain Assembly Note: Includes items 20, 21, 22, 23A, 23B.	1			

* NOT ILLUSTRATED

RECOMMENDED STOCK PARTS

NLA = No Longer Available

GARLAND PARTS IDENTIFICATION
MASTER FULL SIZE ELECTRIC CONVECTION OVEN
models MCO-ES/ED-10/20, MCO-ES/ED-10/20-S

DOOR COMPONENTS & ASSEMBLIES
(for units manufactured UP TO 14-APRIL-2005)

ITEM	PART #	DESCRIPTION	QTY	FROM DATE	UP TO DATE	CRITICAL
20	1014201	Connecting Door Rod - Short (Not sold separately)	2			
21	1014200	Connecting Door Rod - Long (Not sold separately)	2			
22	1015000	Turnbuckle 1/4-20 w/4" Take Up	2			
23A	1021100	Roller Chain #40	2			
23B	1021299	Connecting Link #40	4			
24	1924712	Seal - Door, Bottom	1			
25	1924601	Seal - Door, Left & Right	2			
26	1924711	Seal - Door Top	1			
27	1924402	Seal - Door, Center (old style) Note: Use 1924411 (item 28).	1			
28	1924411	Center Right Seal From serial # 0301CJ0082	1	JAN-03		
29	1924412	Center Left Seal From serial # 0301CJ0082	1	JAN-03		
30	1928209	Plate Door Handle From serial # 0301CJ0082 Note: Item will not be available once stock is out.	1	JAN-03		
31	1925013	Bracket - Door Stop L/H	1	APR-00		
	4519740	Bracket - Door Stop R/H	1	APR-05		
32*	8003603	Carriage Bolt 3/8-16 X 3/4				
33*	1922801	Olive Garden Handle Bracket Plate				
34*	1019800	Self Threading Pal Nut				
35*	8001210	Nut Hex 3/8-16 Stl 2P	3			
36*	8000308	Washer - Flat 3/8x3/4 Stl 2P	3			
37*	1915914	Insulation - Left Door, W/Window	1			
	1915915	Insulation - Left Door, Solid	1			
38*	1915916	Insulation Right Door, W/Window	1			
	1915917	Insulation - Right Door, Solid	1			

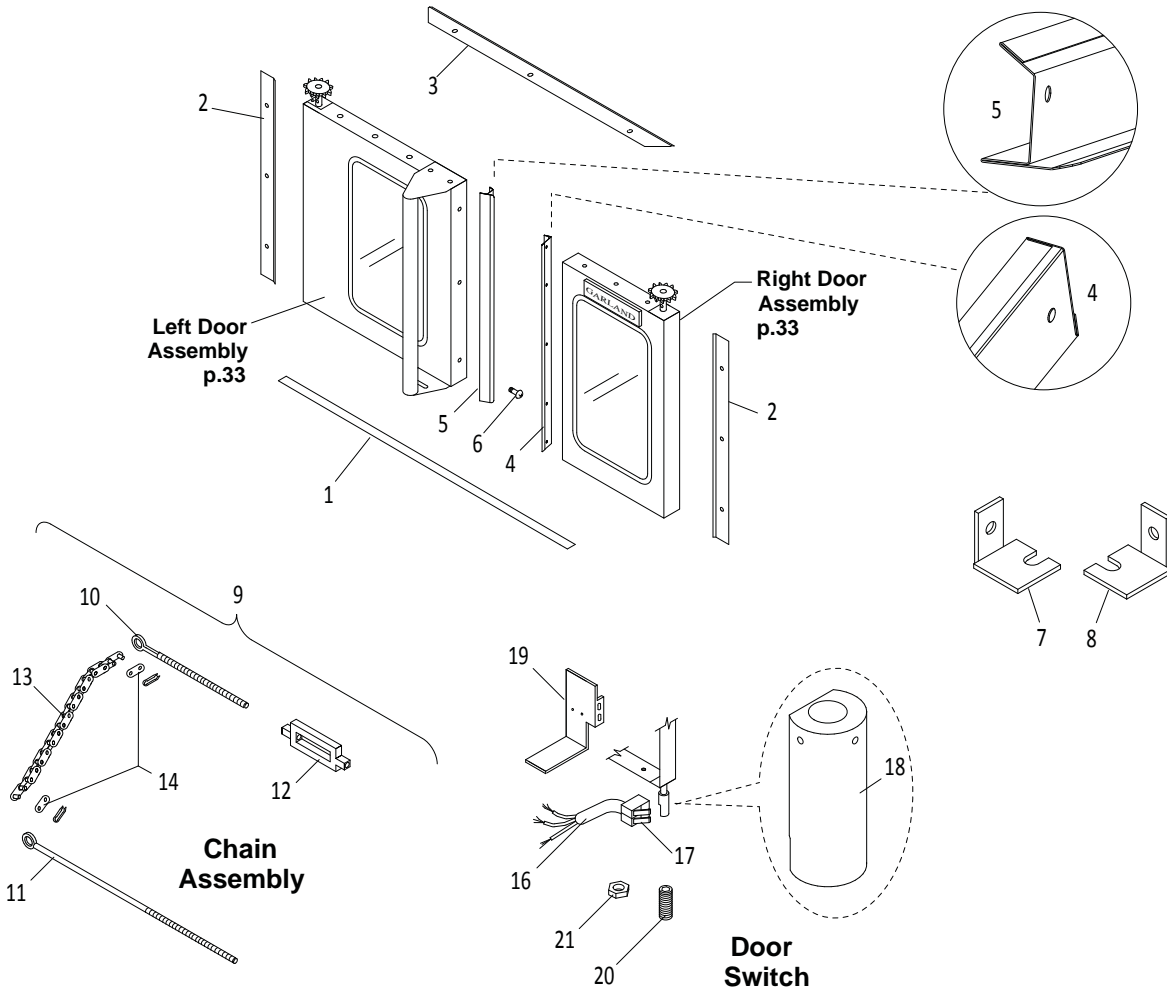
* NOT ILLUSTRATED

RECOMMENDED STOCK PARTS

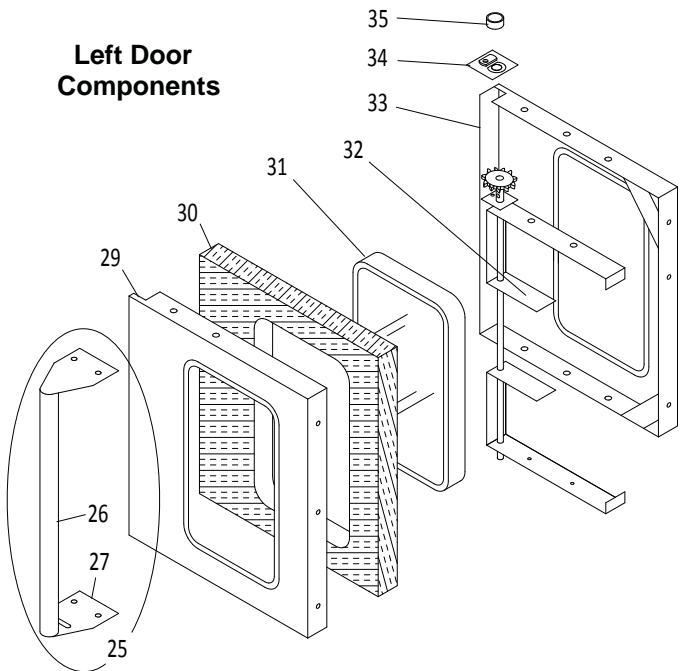
NLA = No Longer Available

Blank Page

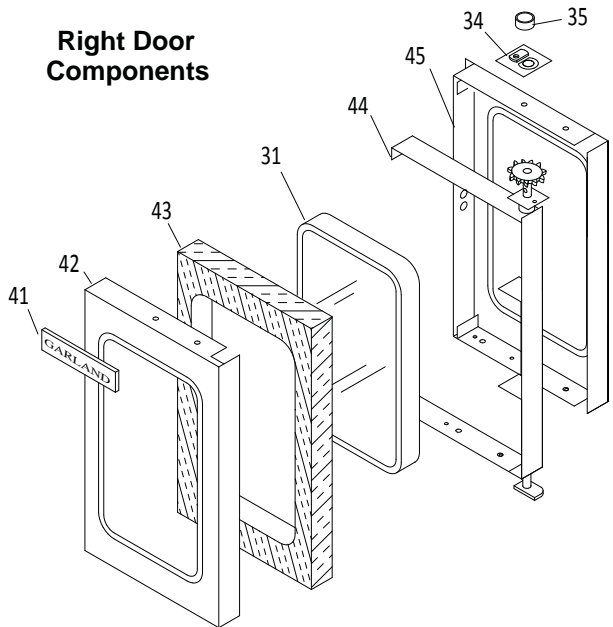
DOOR COMPONENTS & ASSEMBLIES (for units manufactured FROM 14-April-2005)



Left Door Components



Right Door Components



Door Assemblies

GARLAND PARTS IDENTIFICATION
MASTER FULL SIZE ELECTRIC CONVECTION OVEN
models MCO-ES/ED-10/20, MCO-ES/ED-10/20-S

DOOR COMPONENTS
(for units manufactured FROM 14-APRIL-2005)

ITEM	PART #	DESCRIPTION	QTY	FROM DATE	UP TO DATE	CRITICAL
1	1924712	Seal - Door, Bottom	1			
2	1924601	Seal - Door, Left & Right	2			
3	1924711	Seal - Door Top	1			
4	1924411	Center - Right Door Seal	1			
5	1924412	Center - Left Door Seal	1			
5A*	113858	Center - Left Door Seal (Prison Package Only, Window or Solid Door)	1			
6	8003123	#10-24 x 5/8" Machine Screw - Phillips, Stl, 2P	6			
7	1925013	Bracket - Door Stop L/H	1			
8	4519740	Bracket - Door Stop R/H	1			
DOOR CHAIN COMPONENTS (items 9 - 14)						
9	4520166	Door Chain Assembly Note: Includes Items 10 - 14.	2			C
10	1014201	Connecting Door Rod - Short Note: Item listed for reference only. Not Sold Separately.	2			
11	1014200	Connecting Door Rod - Long Note: Item listed for reference only. Not Sold Separately.	2			
12	1015000	Turnbuckle 1/4-20 w/4" Take Up	2			
13	1021100	Roller Chain #40	2			
14	1021299	Connecting Link #40	4			
DOOR SWITCH COMPONENTS (items 16 - 23)						
16	1804727	Wire Harness - Door Micro Switch	1			
	1949575	Wire Harness - Door Micro Switch, Mechanical Control. Note: For MCO-GS/GD-10S (200 series) models.	1			
	1949574	Door Switch Wire Harness for Arby's	1			
17	1855603	High Temp Micro Switch Note: For MCO-GS/GD-10 models.	2			C
	4519715	Door Micro Switch - High Temp, High Current Note: For MCO-GS/GD-10S (200 series) models.	2			C
18	1925101	Cam - Door Switch	1			
19	1925001	Bracket - Door Switch Right	1			
20	8003802	#10 - 24 x 3/8" Set Screw	2			
21	8001203	#8 - 32 Hex Nut, Stl	2			
22*	8001502	#6 - 32 Nut w/Washer, ksp	2			
23*	8003208	#6 - 32 x 2" Machine Screw - Phillips, Stl, 2P	2			

* NOT ILLUSTRATED

RECOMMENDED STOCK PARTS

GARLAND PARTS IDENTIFICATION
MASTER FULL SIZE ELECTRIC CONVECTION OVEN
models MCO-ES/ED-10/20, MCO-ES/ED-10/20-S

LEFT & RIGHT DOORS COMPONENTS
(for units manufactured AFTER 14-APRIL-2005)

ITEM	PART #	DESCRIPTION	QTY	FROM DATE	UP-TO DATE	CRITICAL
LEFT & RIGHT DOOR COMPONENTS - with Window or Solid						
25	CK1924396	Door Handle Assembly - Black Note: Assembly includes items 26, 27, 28.	1	MAR-03		
26	1924195	Door Handle Tube with Inserts	1			
27	1924206	Door Handle Plate	2			
28*	8003605	1/4-20 x 1" Carriage Bolt, Black	2			
29	1924001	Panel - Left Door (Solid)	1			
	1924002	Panel - Left Door (Window)	1			
	1924007	Panel - Left Door (Solid - Prison)	1			
	1924011	Panel - Left Door (Window - Prison)	1			
30	1915914	Insulation - Left Door (Window)	1			
	1915915	Insulation - Left Door (Solid)	1			
31	1010999	Oven Door Window - 3/16" Glass (Window)	2			
32	4520373	Welded Assembly Frame Left Door Extended Bearing Plate	1			
33	1923997	Panel - Left Door Liner (Window)	1			
	1923902	Panel - Left Door Liner (Window - Prison)	1			
	1923996	Panel - Left Door Liner (Solid) Note: For both Standard and Prison Models.	1			
34	4520301	Plate - Door Bushing Extended	2			
35	1923201	Spacer - Door Hinge	2			
36*	1925099	Door Hasp Bracket Weldment Assembly (Prison)	1			
37*	1925009	Plate - Door Hasp Back (Prison)	1			
38*	8003603	3/8-16 x 3/4 Carriage Bolt (Prison)	3			
39*	8001210	3/8-16 Hex Nut Stl 2P (Prison)	3			
40*	8000308	3/8 x 3/4 Flat Washer Stl 2P (Prison)	3			
41	3077100	7-5/8" GARLAND Nameplate (for non-Prison Door)	1			
42	1924003	Panel - Right Door (Solid)	1			
	1924008	Panel - Right Door (Solid - Prison)	1			
	1924004	Panel - Right Door (Window)	1			
43	1915916	Insulation Right Door (Window)	1			
	1915917	Insulation - Right Door (Solid)	1			
44	4520374	Welded Assembly Frame Right Door Extended Bearing Plate	1			
45	1923998	Panel - Right Door Liner (Solid) Note: For both Standard and Prison Models.	1			
	1923904	Panel - Right Door Liner (Window)	1			

* NOT ILLUSTRATED

RECOMMENDED STOCK PARTS

GARLAND PARTS IDENTIFICATION
MASTER FULL SIZE ELECTRIC CONVECTION OVEN
models MCO-ES/ED-10/20, MCO-ES/ED-10/20-S

COMPLETE DOOR ASSEMBLIES (NON-PRISON)

Date	Dependent or Independent Door	Left Door (with Window)	Left Door (Solid)	Right Door (with Window)	Right Door (Solid)
Prior Mar-99	Dependent	CK1803789-A (LQ)	CK1803788-A (LQ)	CK1803785-A (LQ)	CK1803784-A (LQ)
	Independent	CK1803789-A (LQ)	CK1803788-A (LQ)	CK1803787-A (NLA)	CK1803786-A (LQ)
Mar-99 to Apr-00	Dependent	CK1803789-A (LQ)	CK1803788-A (LQ)	CK1803785-B (LQ)	CK1803784-B (LQ)
	Independent	CK1803789-A (LQ)	CK1803788-A (LQ)	CK1803787-B	CK1803786-B
Apr-00 to 31-Dec-02	Dependent	CK02-001 (LQ)	CK02-003 (NLA - Contact CSR for assistance. Use CK02-001.)	CK02-002 (LQ)	CK02-004 (LQ)
Jan-03 to 14-Apr-05	Dependent	CK1924869 (LQ)	1924868 (NLA)	CK1924969 (LQ)	1924968 (Use CK1924969)
	Dependent - S/S (Olive Garden)		1924878		1924978
From 14-Apr-05 to Present	Dependent (Ext. Bearing Plate) (Also Used for Olive Garden)	4520311	4520313	4520312	4520314

COMPLETE DOOR ASSEMBLIES (PRISON)

Date	Dependent or Independent Door	Prison Left Door (with Window)	Prison Left Door(Solid)	Prison Right Door (with Window)	Prison Right Door (Solid)
Apr-00 to 31-Dec-02	Dependent	CK02-007 (NLA)	CK02-005 (NLA)	NA	CK02-006 (NLA)
Jan-03 to 14-Apr-05	Dependent	1924867	1924866	NA	1924966
From 14-Apr-05 to Present	Dependent (Ext. Bearing Plate)	4520317	4520315	NA	4520316

LQ = Limited Quantity. Item will not be available once stock is out.

NLA = No Longer Available

GARLAND PARTS IDENTIFICATION
MASTER FULL SIZE ELECTRIC CONVECTION OVEN
models MCO-ES/ED-10/20, MCO-ES/ED-10/20-S

LIST OF WIRING DIAGRAMS & AVAILABLE KITS

Electric Wiring Diagrams

(For Reference Only. Please contact Technical Service Department for assistance)

PART #	DESCRIPTION
1949514	208/220/240 Volt 60Hz Electric - Mechanical Control (200 Series)
1949504	208/240 Volt 60Hz Electric - FAST Control (300 Series / 400 Series)
1949515	460 Volt 60Hz Electric - Mechanical Control (200 Series)
1949505	460 Volt 60Hz Electric - FAST Control (300 Series / 400 Series)
1949506	Wiring Diagram - Fast Electric 380/415V 50Hz
4522526	Wiring Diagram - 410/200 Conversion Kit
4518907	Wiring Diagram - COM6000/IM200 ELEC

Controller Conversion Kits

(For Reference Only. Please contact Parts Department for assistance)

PART #	DESCRIPTION
4522523	450/410 To 200 Conv. Kit - MCO Electric
4518192	200 To 450 Conv. Kit - MCO Electric Note: Kit will not be available once stock is out

Oven Interior Kits

(For Reference Only. Please contact Parts Department for assistance)

PART #	DESCRIPTION
CK4527817	Kit - MCO Fan Cover - W/Air Diverters - MCO Electric Note: This kit is required for all units manufactured UP TO 18-SEPTEMBER-2009.

Single Deck Kits (Legs / Casters / Open Base)

(For Reference Only. Please contact Sales Department for assistance)

PART #	DESCRIPTION
1951213	S/S Open Base & Feet Kit - Full Size MCO
1951214	S/S Open Base & Casters - Full Size MCO
1951204	Single Deck S/S Legs & Feet Inserts - Full Size MCO
1951205	Single Deck S/S Legs and Casters - Full Size MCO

Double Deck Kits (Legs / Casters)

(For Reference Only. Please contact Sales Department for assistance)

PART #	DESCRIPTION
1951209	Kit MCO - Heavy Duty Casters - Full Size MCO
1951210	Kit MCO - LO-Profile Casters - Full Size MCO
1951221	Electric - Double Deck Leg Stacking Kit
1951225	Electric - Double Deck Caster Stacking Kit
1951227	Electric - Double Deck Low Profile Caster Stacking Kit

GARLAND PARTS IDENTIFICATION
MASTER FULL SIZE ELECTRIC CONVECTION OVEN
models MCO-ES/ED-10/20, MCO-ES/ED-10/20-S

CRITICAL & RECOMMENDED STOCK PARTS LIST

PART #	DESCRIPTION	CRITICAL
1010999	Oven Door Window (3/16" Glass)	R
1033700	Transformer - 460V 2KVA 50/60Hz (460V MCO ONLY)	C
1130103	Fuse - 20A 300V SC-20	C
1130109	Fuse - 15A 600V Class CC	C
1193900	Terminal Block - 3 Pole	C
1623900	Light Bulb - 40W	R
1637002	Contactora - 240V Coil	C
1671101	Cooling Fan 208 / 240 V	C
1686712	Motor 3/4 HP, 208/240V, 2 Speed	C
1855603	High Temp Door Micro Switch (for MCO-GS/GD-10 models)	C
1905701	IM300 Digital Control Board	C
1905702	IM410 Digital Control Board	C
1905703	IM450 Digital Control Board with Cook-N-Hold	C
1905704	IM455 Digital Control Board with Cook-N-Hold & Core Probe	C
1906002	Probe - RTD, Flange Mount (USE ONLY WITH 1906003)	C
1906003	Cable Assembly - Probe Extension (USE ONLY WITH 1906002)	C
1916901	Relay Board PCB Assembly	C
1917098	Relay Board Assembly - 208/240V (includes items 1916901, 1917198, 1033700)	C
1917198	Transformer - 208/240V to 24VAC	C
1924411	Center - Right Door Seal	R
1924412	Center - Left Door Seal	R
1924601	Seal - Door, Left & Right	R
1924711	Seal - Door Top	R
1924712	Seal - Door, Bottom	R
1928209	Plate - Door Handle (for units manufactured UP TO 14-Apr-2005) Note: Item will not be available once stock is out.	R
1955101	Switch - Thermal Disc, Cooling Fan	C
1955401	Rocker Switch - 3 Positions, Cook/Off/CoolDown	C
1955402	Rocker Switch - 2 Positions, Hi/Low	C
1955403	Momentary Rocker Switch	C
300867	Power Control Board - Solid State Controller, 150-500 deg F	C
1955601	Potentiometer	C
1956002	Electro-Mechanical Timer - 1 Hour, 240V 50/60Hz	C
4514192	IM470 Digital Control Board (OBSOLETE) Note: Item will not be available once stock is out.	C
4516982	Terminal Block - 10mm	C
4518354	Complete Element Assembly - 10 kW 208V	C
4518356	Complete Element Assembly - 10 kW 240V	C
4518357	Complete Element Assembly - 10 kW 460V	C
4519715	Door Micro Switch - High Temp, High Current (for MCO-GS/GD-10S (200 series) models)	C
4520166	Door Chain Assembly	C
8003123	#10-24 x 5/8" Machine Screw - Phillips, Stl, 2P (for Door Center Seals)	R
CK1003091	Motor Assembly - 2 Speed - 208/240 V	C

C = CRITICAL PARTS

R = RECOMMENDED STOCK PARTS

**GARLAND PARTS IDENTIFICATION
RELATED BULLETINS (MCO-ES/ED-10)**

BULLETIN #	SUBJECT	DATE
B-97-2009-S	New Axial Cooling Fan Install Instructions	SEP 17/09
GAR-03-12-AIC	Master 200 Series Controller P/N 1955501	FEB 8/12
BI-06-2012-P	Controllers - Important Information	FEB 22/12

**GARLAND PARTS IDENTIFICATION
REVISION HISTORY (MCO-ES/ED-10)**

REV	PAGE#**	ITEM# **	NOTES	DATE
10	16	37,38	Door Insulation added to section "Door Assemblies for units manufactured From April 14/05)	NOV 07/05
	19	8A,8B		
11	7,9, 11	2	New part # (1933511) added - was 1789606 (Overlay Top Control Panel Electric) Added to sections for IM300 & other digital control pages.	AUG 13/07
12	3		Kits and Diagrams page added to table	JUN 21/10
			Page numbers updated	
	5	7	New part # was 1006493 Green Pilot Light 240V	
		9	New part # was 1006498 Pilot Light Amber 240V	
		11B	New part # added	
		22	New part #, was 1028400 Ground Lug	
		23	New part #, was 1918202 Cooling Fan 208/240V	
	7	7B	New part #, was 1917102 Transformer 208-240V	
		15	New part number added - 1905901	
	9	21	Part number changed - was 1028400	
		10	Part number removed - 9006800 (Sensor Probe 5" W/36" Teflon)	
			Part number removed - 1906001 (Sensor Probe)	
		10,11,12	New part number added	
		12	New part number replace 4514192 was 1905709	
		14	Description changed	
		17	Description changed	
	21	Part number changed - was 1028400		
	23	25	New part number replaced - was 1918202	
		4A	Part numbers removed - 1901701, 1901702, 1901703	
		4A	New part numbers added - 4518354, 4518356, 4518357	
		4B	Part numbers removed - 1901799, 1901798, 1901797	
		7,21,22	Up to date added	
		30	Item number changed - was 22	
31-39		New part number added		
24	Note added at bottom of table			
25	Main Exterior drawing pushed back to page 25			
28	Page added - Page 23 continued			
29	Revision Table pushed back to page 29 Kit and Diagram page added			
13			NEW - Rating Plate Location	AUG 09/11
			Added NLA lable or Obsolete to a number of parts. Replacement parts are listed if any. Revised illustrations, some part#s and descriptions. .	
14	15	13	New IM200 controller 300867 replaced 1955501. Note: First unit manufactured with controller 300867 has (date) 8-Jan-2012, (serial#) 1112230000784, (model) MCO-ED-10S-0011.	FEB 21/12
		27,28	Correction - Switched descriptions	
		10	Correction - P/N should be 1936104, was 1936103	
15	10	41	Added insulation kit 113361, 113364	JUN 14/12
		42	Added drip pan 1959401, 1959402	
	14 - 21	Split controls into obsolete and current: obsolete - 300, 410, 470, 475; current - 450, 455		
	18 - 21	450/455 FASTRON Controller: added new conversion kits (Fastron to Elreha); added new Fastron relay board kit S113851; listed overlays part#.		
	22 - 24	New pages for new Elreha controller: Elreha control panel kits; new Elre ha overlays; new relay board asm S113849; and, other new components.		
	16	21	Relay Board Kit - S113851 replaced CK1917098	
	20	10		
	16, 20	1	Removed black painted part - 1918502	
7		Removed black painted exterior components part#s: 1917603, 1920202, 1918702, 1918802, 1925502 (Olive Garden), 1925402 (Olive Garden), 1925302 (Olive Garden), 1927198, 1927196, 1927194, 1921002, 1921004, 1926901. Removed clear overlay 1782001		
		Internal Ref: new book format hidden.		

** Page# and Item# reference the specific page/item in the corresponding revision only.

 **Garland**[®]

 **Manitowoc**