



***1/2 SIZE CONVECTION  
TJ CINNAMON  
MCO-E-5***

**PARTS LIST**

Toll Free Phone, (US & Canada): (800) 427-6668

Toll Free Fax, (US & Canada): (800) 361-7745

<http://www.garland-group.com>

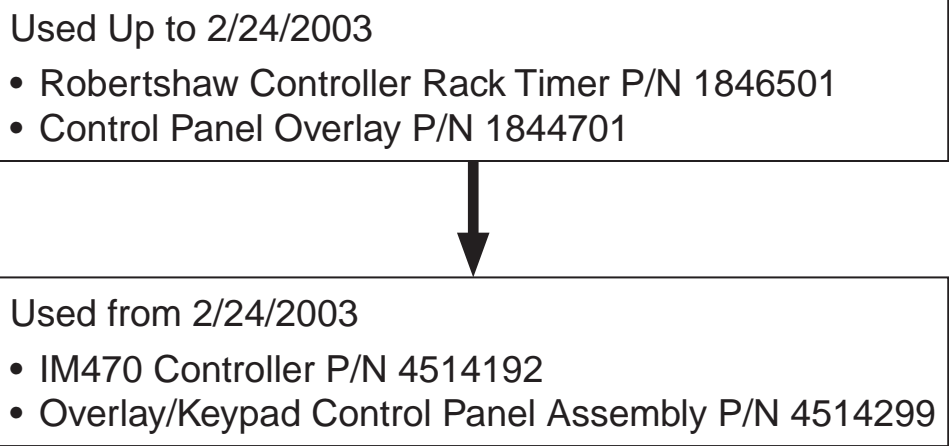


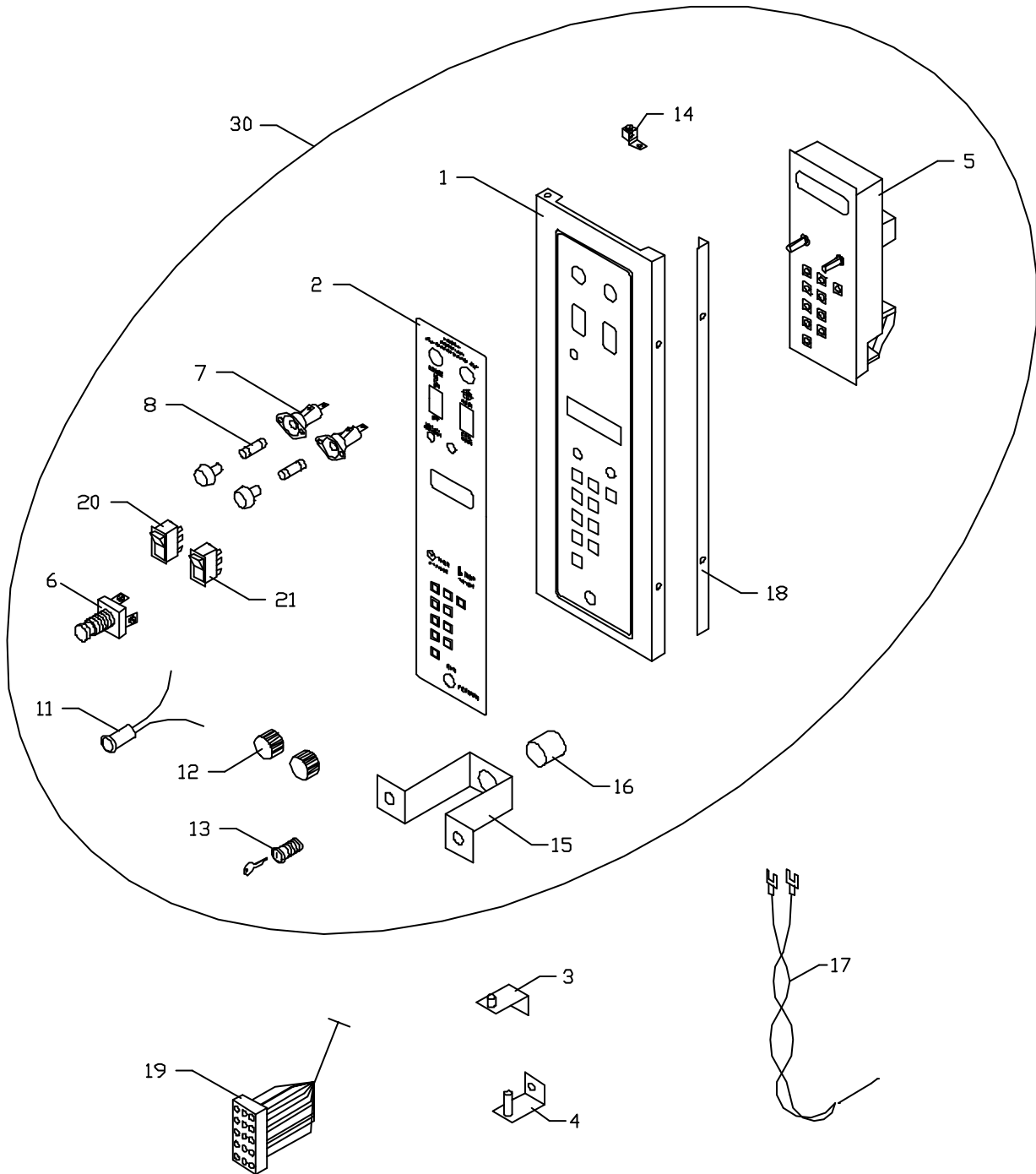


# ***1/2 SIZE CONVECTION TJ CINNAMON MCO-E-5***

## ***Contents:***

|   |         |
|---|---------|
| TJ Cinnamon Half Size Control Panel (Com 6800) .....      | Page 4  |
| IM470 Electronic Programmable Control - TJ Cinnamon ..... | Page 6  |
| TJ Cinnamon Half Size Functional Components .....         | Page 8  |
| Digital Photos .....                                      | Page 11 |
| Revision History.....                                     | Page 13 |





T.J 6800 Control Panel

## GARLAND PARTS IDENTIFICATION

### T.J. Cinnamon's Control

| ITEM | PART #         | DESCRIPTION                                   | QUANTITY | DATE      |           |
|------|----------------|---|----------|-----------|-----------|
|      |                |   |          | UP TO     | FROM      |
| 1    | 1845199        | Control Panel Only                            | 1        |           |           |
| 2^   | 1844701        | Overlay T.J. Cinnamon's                       | 1        |           |           |
| 3    | 1382502        | Control Panel Bracket Top                     | 1        |           |           |
| 4    | 1382597        | Control Panel Bracket Bottom                  | 1        |           |           |
| 5^   | 1846501        | Controller COMM-6800                          | 1        |           |           |
| 6    | <b>1846601</b> | <b>Switch Push ON/OFF (Interior Light)</b>    | 1        |           |           |
| 7    | 1774101        | Fuse Holder                                   | 2        |           |           |
| 8    | <b>1130108</b> | <b>Fuse (N.L.A.)</b>                          | 2        | 07 May 03 |           |
|      | <b>4513157</b> | <b>Fuse - 10Amp 600V</b>                      | 2        |           | 07 May 03 |
| 11   | 1765901        | Indicator Light 240V Red                      | 1        |           |           |
| 12   | 9007200        | Knob  | 2        |           |           |
| 13   | 1516600        | Key Lock W/Backing Nut - Tiered Timer         | 1        |           |           |
| 14   | 1028402        | Ground Lug (208/240)                          | 1        |           |           |
| 15   | 1847301        | Key Lock Protector                            | 1        |           |           |
| 16   | 1028801        | Snap Bushing 1/2" Dia. SB500-6                | 1        |           |           |
| 17   | 9006800        | Sensor Probe 5" W/36" Teflon                  | 1        |           |           |
| 18   | 1382503        | Control Panel Bracket Side                    | 1        |           |           |
| 19   | 1771506        | Wire Harness-Tiered Harness                   | 1        |           |           |
| 20   | <b>1019203</b> | <b>Rocker Power Switch - On / Off</b>         | 1        |           |           |
| 21   | <b>1019209</b> | <b>Rocker Power Switch - Cook / Cool Down</b> | 1        |           |           |

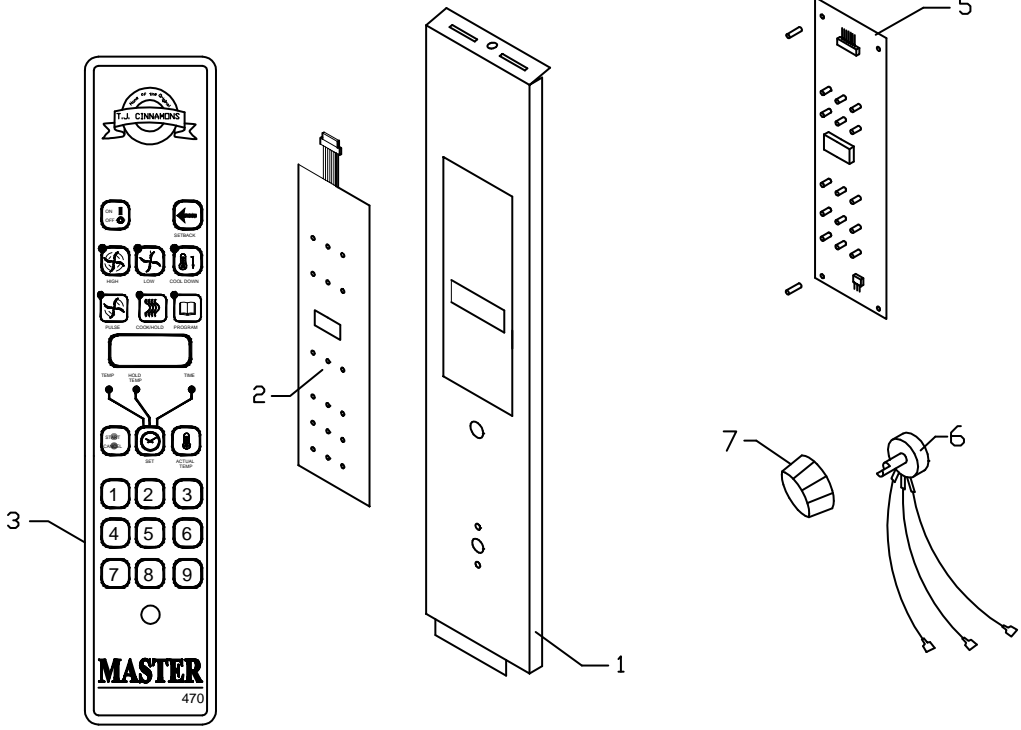
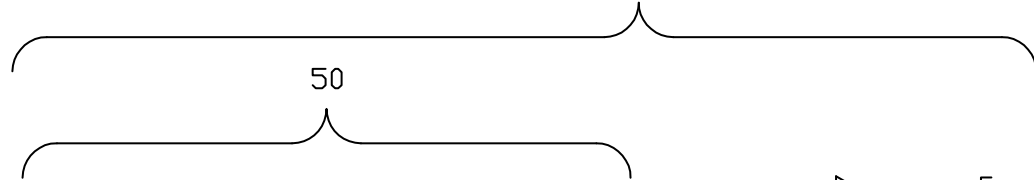
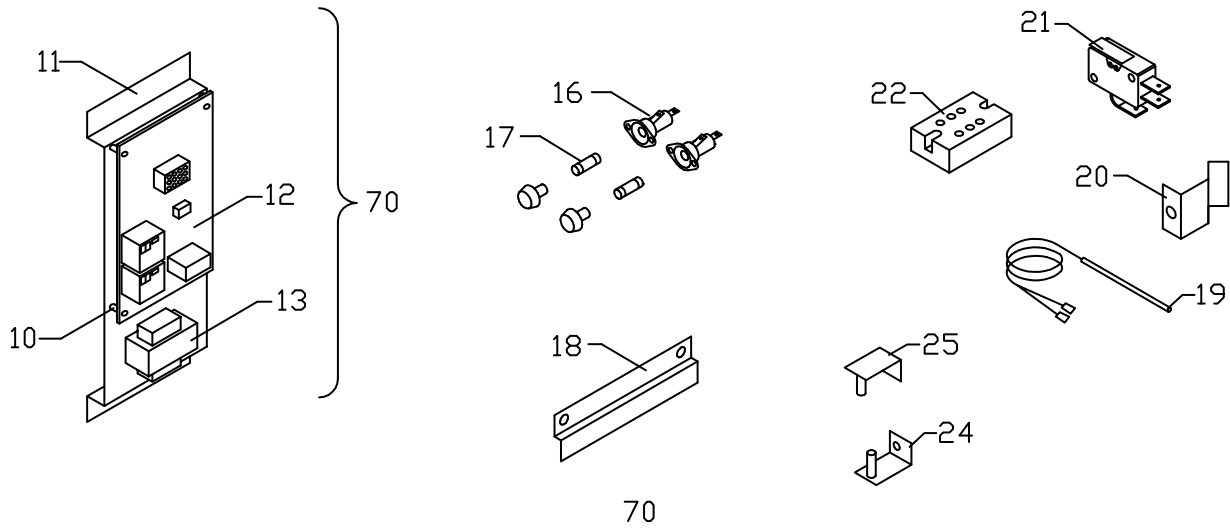
#### Assembly Available

|    |         |  |   |  |  |
|----|---------|--|---|--|--|
| 30 | 1845198 | B/A Control Panel Rack Timer TJ<br>Included items 2, 5 thru 16, 20, 21 | 1 |  |  |
|----|---------|--|---|--|--|

\* NOT ILLUSTRATED

^ PHOTO @ THE END

**RECOMMENDED STOCK PARTS**



TJ 470 Control Panel

**GARLAND PARTS IDENTIFICATION**  
**IM470 Electronic Programmable Control - TJ Cinnamon**

| ITEM | PART #         | DESCRIPTION   | QUANTITY | DATE      |           |
|------|----------------|---|----------|-----------|-----------|
|      |                |   |          | UP TO     | FROM      |
| 1    | 1946686        | Control Panel MCO-E-5 IM475 ASSY  | 1        |           |           |
| 2    | 1911702        | Membrane - Chain Control Keypad   | 1        |           |           |
| 3    | 1908530        | Overlay TJ Cinnamon 470 Control   | 1        |           |           |
| 5^   | 4514192        | IM470 Controller  | 1        |           |           |
| 6    | 1911601        | Encoder (For Spares)  | 1        |           |           |
| 7    | <b>1720502</b> | <b>Fast Control Knob</b>  | 1        |           |           |
| 10   | 1767901        | Nylon PCB Spacer  | 4        |           |           |
| 11   | 1916801        | Bracket - Relay Board   | 1        |           |           |
| 12   | 1916901        | Relay Board PCB Assembly  | 1        |           |           |
|      | 1916903        | PCB Assembly CE Models  | 1        |           |           |
| 13   | 1917198        | Transformer 208/240V to 24VAC   | 1        |           |           |
| 16   | 1774101        | Fuse Holder 600V 30A HPG  | 2        |           |           |
| 17   | <b>1130108</b> | <b>Fuse - 10 Amp 600V N.L.A.</b>  | 2        | 7 May 03  |           |
|      | <b>4513157</b> | <b>Fuse - 10 Amp 600V Time Delay</b>  | 2        |           | 7 May 03  |
| 18   | 1787302        | Component Bracket Slide   | 1        |           |           |
| 19   | 1773501        | Enclosed Probe W/36" Leads<br>Note:Only Used W/Controler P/N 1905709                | 1        | 22 Jan 03 |           |
|      | 9006800        | Sensor Probe  | 1        |           | 22 Jan 03 |
| 20   | 1768701        | Probe Holder  | 1        |           |           |
| 21   | 9006401        | Switch Mini Snap Hi-Temp 1 Amp<br>Location: Door Switch on the Top Left Hand Corner | 1        |           | 17 Jan 03 |
| 22   | 1767801        | Enclosed Terminal Block 3 Pole  | 1        |           | 30 Jan 03 |
| 24   | 1382597        | Control Panel Bracket Bottom  | 1        |           |           |
| 25   | 1382502        | Control Panel Bracket Top   | 1        |           |           |
| 30*  | 1804730        | Main Harness MCO-E-5  | 1        |           |           |
| 31*  | 1804731        | Door Harness MCO-E-5  | 1        |           |           |
| 32*  | 1807845-Rev3   | Wiring Diagram 208/240 60HZ Electronic -<br>1/2 size MCO 2 Spd                      | 1        |           |           |
|      | 1807846        | Wiring Diagram 220/380 50HZ Electronic  | 1        |           |           |
|      | 1807861        | Wiring Diagram, TJ Cinnamons IM470  |          |           |           |

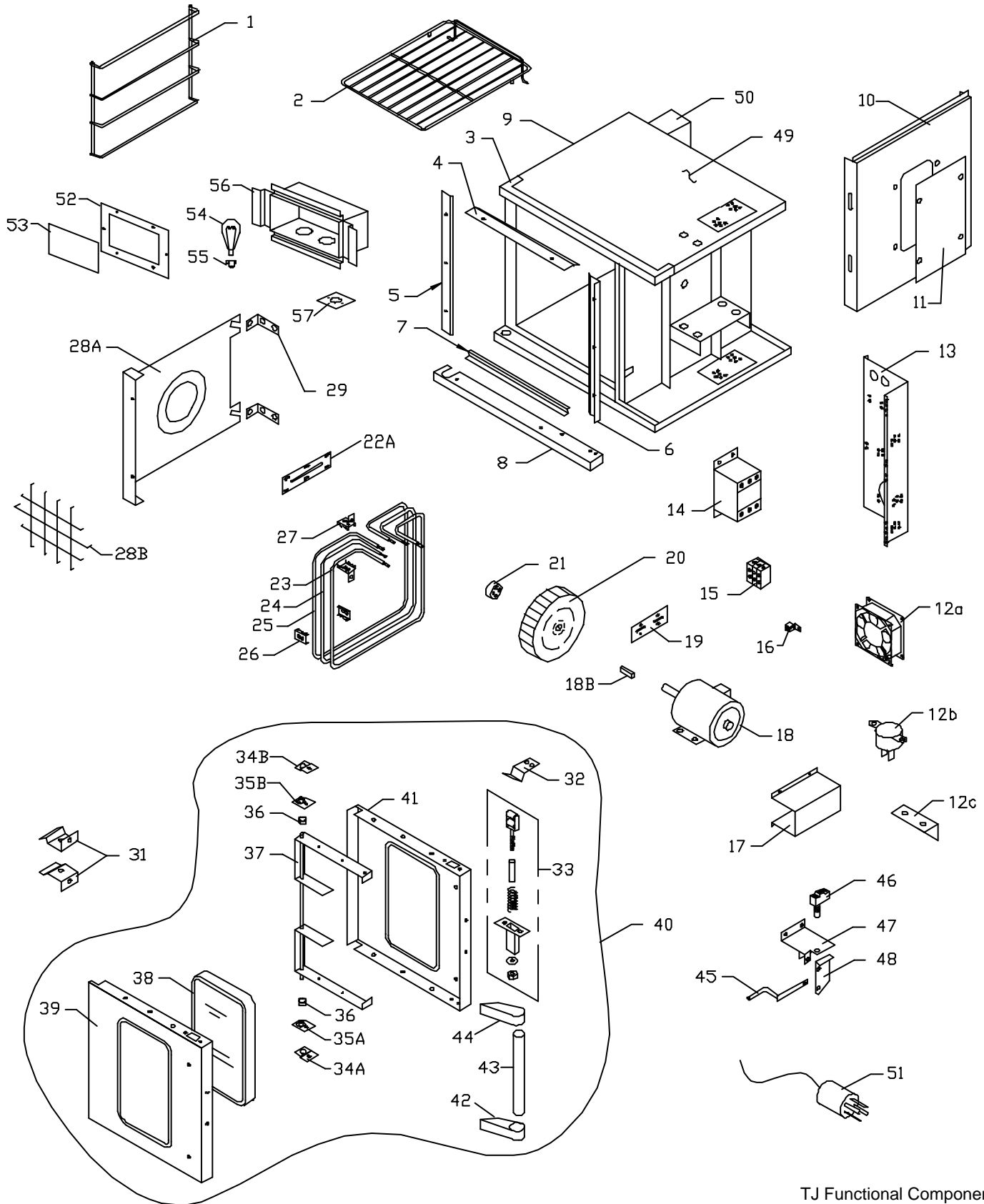
**Kits Available**

|     |                |  |   |  |           |
|-----|----------------|--|---|--|-----------|
| 50^ | <b>4514299</b> | <b>KIT-Control Panel IM470 MEM./Overlay -<br/>TJ Cinnamon Include Items: 1, 2, 3</b> | 1 |  | 24 Feb 03 |
| 70  | <b>1917098</b> | <b>Relay Board Assembly - 208/240V<br/>Include Items: 10, 11, 12a, 13a</b>           | 1 |  |           |
|     | <b>1917097</b> | <b>Relay Board Assembly - CE Models<br/>Include Items: 10, 11, 12b, 13b, 14, 15</b>  | 1 |  |           |

\* NOT ILLUSTRATED

^ PHOTO @ THE END

**RECOMMENDED STOCK PARTS**



TJ Functional Components



**GARLAND PARTS IDENTIFICATION**  
**TJ Cinnamon Half Size Functional Components**

| ITEM | PART #         | DESCRIPTION                                | QUANTITY | DATE      |           |
|------|----------------|--|----------|-----------|-----------|
|      |                |  |          | UP TO     | FROM      |
| 1    | 1846301        | Oven Rack Guide RT LT                      | 2        |           |           |
| 2    | 1766001        | Oven Rack 20"-1/2x14" All MCO-E-5 Units    | 5        |           |           |
| 3    | 1385300        | Main Top Front Veneer S/S                  | 1        |           |           |
| 4    | 1770201        | Top Door Seal                              | 1        |           |           |
| 5    | 1770001        | Left Door Seal                             | 1        |           |           |
| 6    | 1770101        | Right Door Seal                            | 1        |           |           |
| 7    | 1770202        | Bottom Door Seal                           | 1        |           |           |
| 8    | 1379901        | Front Base Channel                         | 1        |           |           |
| 9    | 1381400        | Body Side Left                             | 1        |           |           |
|      | 1381402        | S/S Left Panel                             | 1        |           |           |
| 10   | 1381404        | Body Side R/H Panel                        | 1        |           |           |
|      | 1381405        | S/S Right Panel                            | 1        |           |           |
| 11   | 1770402        | R/H Side Access Cover                      | 1        |           |           |
|      | 1770401        | Access Panel                               | 1        |           |           |
| 12a  | 1774001        | 230V 50/60 Fan                             | 1        |           |           |
| 12b  | <b>1955101</b> | <b>Switch Thermal Disc, Cooling Fan</b>    | 1        |           |           |
| 12c  | 1910901        | Thermal Disc Bracket                       | 1        |           |           |
| 13   | 1769901        | Partition Cover                            | 1        |           |           |
| 14   | 1637002        | Contactora 208/240Volts - 50/60 Hertz Coil | 1        |           |           |
| 15   | 1767801        | Terminal Block                             | 1        |           |           |
| 16   | 1028402        | Ground Lug (208/240)                       | 1        |           |           |
| 17   | 1765501        | Element Cover                              | 1        |           |           |
| 18   | 1773802        | Motor 208/240V 2 Speed                     | 1        |           |           |
| 18B  | 1765703        | Keyway 3/16                                |          |           |           |
| 19   | 1765104        | Insulation Cover                           | 1        |           |           |
| 20   | 1765704        | Blower Wheel                               | 1        |           |           |
| 21   | 1765702        | Wheel Puller                               | 1        |           |           |
| 22A  | 1765108        | Element Oven Patch                         | 1        |           |           |
| 22B* | 1765103        | Insulating Plate 6 X 2.5                   |          |           |           |
| 23   | <b>1765102</b> | <b>Outer Element 208V</b>                  | 1        |           |           |
|      | <b>1765110</b> | <b>Outer Element 240V</b>                  | 1        |           |           |
| 24   | <b>1765111</b> | <b>Center Element 208V</b>                 | 1        |           |           |
|      | <b>1765112</b> | <b>Center Element 240V</b>                 | 1        |           |           |
| 25   | <b>1765101</b> | <b>Inner Element 208V</b>                  | 1        |           |           |
|      | <b>1765109</b> | <b>Inner Element 240V</b>                  | 1        |           |           |
| 26   | 1765106        | Element Holder W/O Flange                  | 5        |           |           |
| 27   | 1765105        | Element Holder W/ Flange                   | 5        |           |           |
| 28A  | 1765299        | Baffle Assembly                            | 1        |           |           |
| 28B  | G02904-01P     | Blower Inlet Cover                         | 1        |           |           |
| 29   | 1771099        | Air Baffle Support Bracket S/W             | 2        |           |           |
| 31   | 1768701        | Probe Holder                               | 2        |           |           |
| 32   | 1750501        | Door Catch                                 | 1        |           |           |
| 33   | CK1757998      | Latch Bench Ass'y                          | 1        |           |           |
| 34A  | 1385501        | Door Bearing Retainer-Bottom               | 1        |           |           |
| 34B  | 1385500        | Door Bearing Retainer - Top                | 1        |           |           |
| 35A  | 1385498        | Hinge Bracket Bottom Assy                  | 1        |           |           |
| 35B  | 1385499        | Hinge Bracket Top Assembly                 | 1        |           |           |
| 36   | 1011201        | Steel Tubing Chrome Spacer                 | 2        |           |           |
| 37   | 1380896        | Door Frame Assy                            | 1        | 18 Jun 99 |           |
|      | 1946899        | Door Frame Assy                            |          |           | 18 Jun 99 |
| 38   | 1010999        | Oven Door Window (3/16" Glass)             | 1        |           |           |
| 39   | 1770301        | Door Panel                                 | 1        |           |           |

\* NOT ILLUSTRATED

**RECOMMENDED STOCK PARTS**

**GARLAND PARTS IDENTIFICATION**  
**TJ Cinnamon Half Size Functional Components**

| ITEM | PART #         | DESCRIPTION  | QUANTITY | DATE     |          |
|------|----------------|--|----------|----------|----------|
|      |                |  |          | UP TO    | FROM     |
| 40   | 1770399        | Complete Door Assembly<br>Includes items 33,37,38,39,41,42,43,44<br>MCO-E-5 (Garland logo) &<br>T.J. Cinnamon (No Garland logo) Only<br>Must Specified The Model | 1        |          |          |
| 41   | 1770396        | Door Line W/Window S/W   | 1        |          |          |
|      | 1770397        | Door Line W/O Window S/W   | 1        |          |          |
| 42   | 1562604        | Door Handle End Black - Top LT   | 1        |          |          |
| 43   | 1664801        | Door Handle  | 1        |          |          |
| 44   | 1562605        | Door Handle End Black - Bottom RT  | 1        |          |          |
| 45   | 1320497        | Activating Rod   | 1        | 1 Jun 99 |          |
|      | 1904099        | Activating Rod W/A Bracket   | 1        |          | 1 Jun 99 |
| 46   | <b>1019605</b> | <b>Micro Switch</b>  | 1        |          |          |
| 47   | 1769701        | Micro Switch Bracket   | 1        | 1 Jun 98 |          |
|      | 1904001        | Micro Switch Bracket   | 1        | 1 Jun 99 |          |
|      | 1946804        | Micro Switch Bracket   | 1        |          | 1 Jun 99 |
|      | 1904006        | Micro Switch Bracket TJ  | 1        |          | 1 Jun 99 |
| 48   | 1904005        | Activating Bracket TJ  | 1        |          |          |
| 49   | 1381396        | Main Top S/W CR  | 1        |          |          |
|      | 1381397        | S/S Top Panel  | 1        |          |          |
| 50   | 1380202        | Flue Box   | 1        |          |          |
| 51   | 1834506        | 8' Long Power Cord 600V 30Amp  | 1        |          |          |
|      | 1834507        | 30 Amp Locking Plug  | 1        | 1 Jan 98 |          |
|      | 1834503        | Plug 30A 3 PH 250V   | 1        |          | 1 Jan 98 |
| 52   | 1847203        | TJ Light Glass Cover Frame   | 1        |          |          |
| 53   | 1676902        | Light Glass Frosted  | 1        |          |          |
| 54   | 1623900        | Light Bulb 40W   | 2        |          |          |
| 55   | 1025800        | Lamp Socket - Porcelain  | 2        |          |          |
| 56   | 1847202        | TJ Light Box   | 1        |          |          |
| 57   | 1025900        | Light Socket Gasket  | 1        |          |          |

\* NOT ILLUSTRATED

**RECOMMENDED STOCK PARTS**

Control Panel COM 6800



1844701 - Overlay

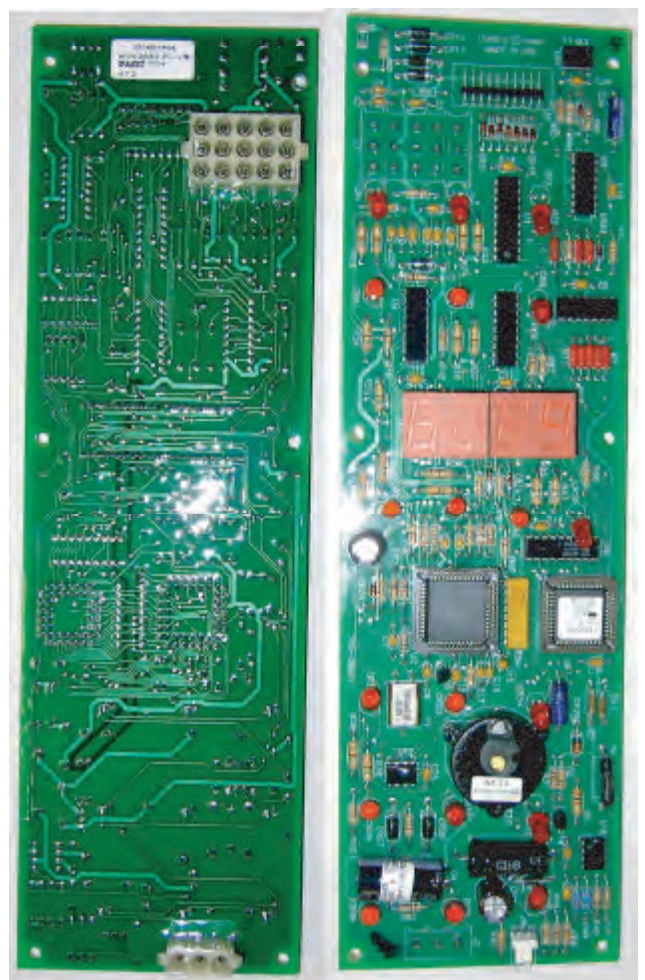


1846501 – Control Board COM6800

Control Panel IM470 – TJ Cinnamon



4514299 – TJ's IM470 Control Panel Key-Pad Assembly (without PCB Board)



4514192 – Control PCB Board

## GARLAND PARTS IDENTIFICATION

### Revision History

| REV. # | PAGE # | ITEM # | NOTE                                       | DATE       |
|--------|--------|--------|--|------------|
| 0      |        |        | Book Released                              | May 18/05  |
| 1      | 7      | 19     | Description changed - 1773501, Note added. | April 5/10 |

## ***NOTES***

## ***NOTES***

 **Garland**<sup>®</sup>