



***1/2 SIZE CONVECTION OVEN
LM-301 LAND MARK (PICCADILLY)***

PARTS LIST

Toll Free Phone, (US & Canada): (800) 427-6668

Toll Free Fax, (US & Canada): (800) 361-7745

<http://www.garland-group.com>

GARLAND®

LM-301 LAND MARK (PICCADILLY)



Contents:

Land Mark-301 (Piccadilly) Half Size Control Panel
 Robertshaw Control Memory Key
Used Up To September 9, 2002 Page 4

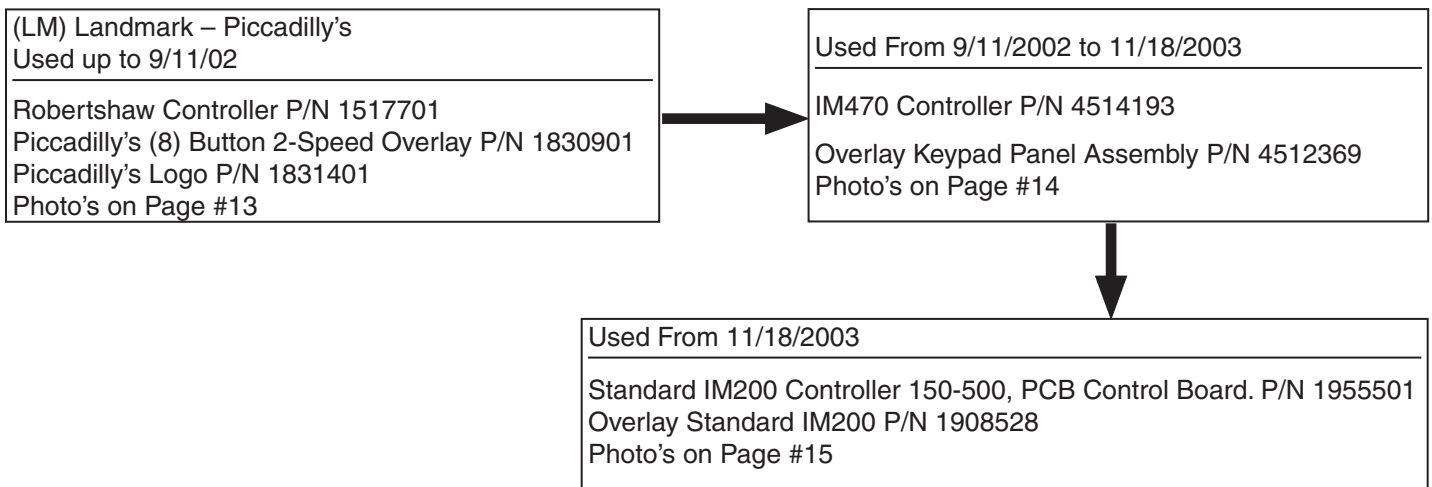
Im470 Electronic Programmable Control
Used From September 11, 2002 To November 18, 2003 Page 6

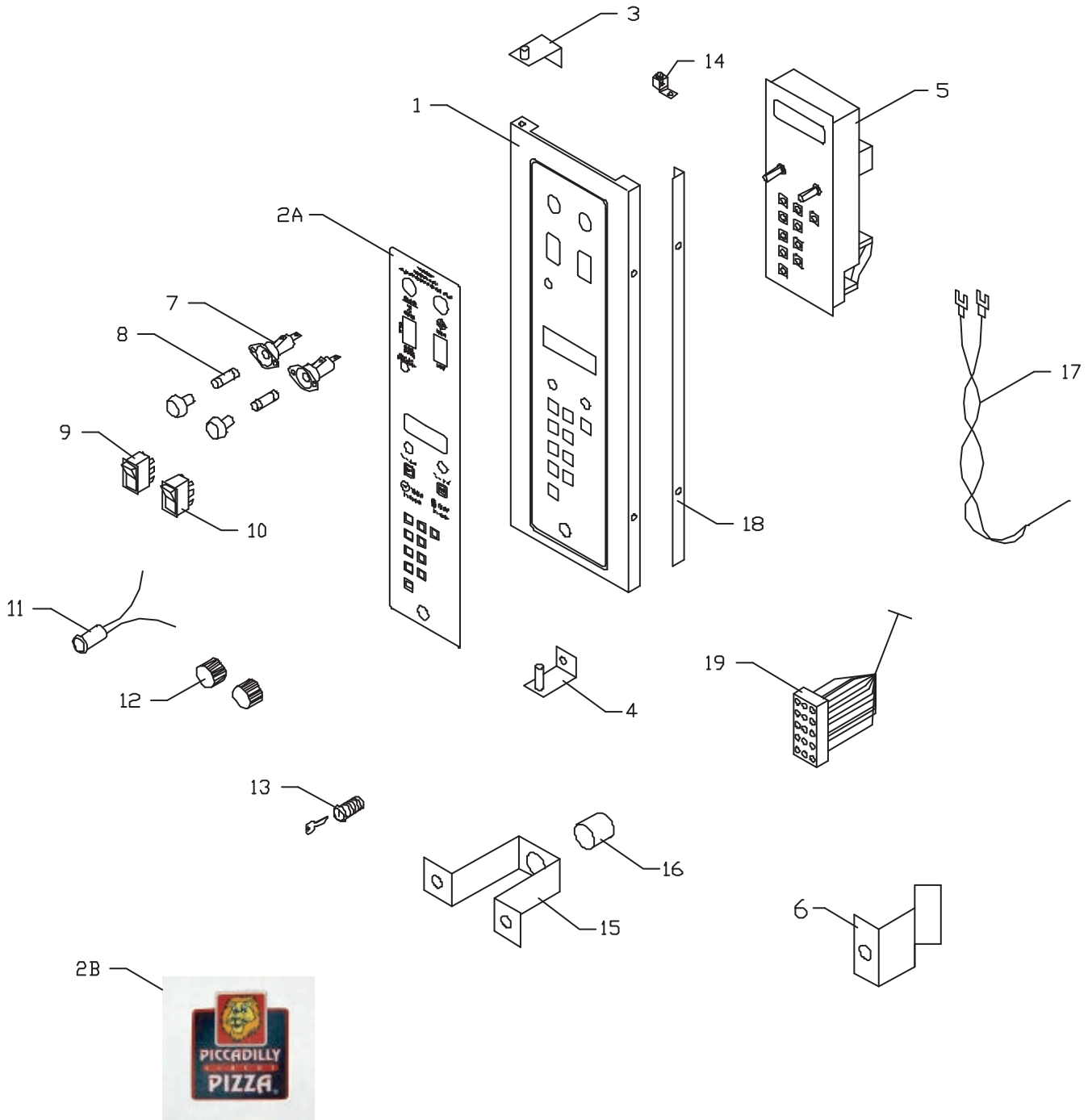
Im200 Mechanical Control Panel W/timer
Used From November 18, 2003 Page 8

Half Size Functional Components Page 10

Digital Photos Page 13

Revision History..... Page 16





GARLAND PARTS IDENTIFICATION
LM-301 (Piccadilly) Half-size Control Panel

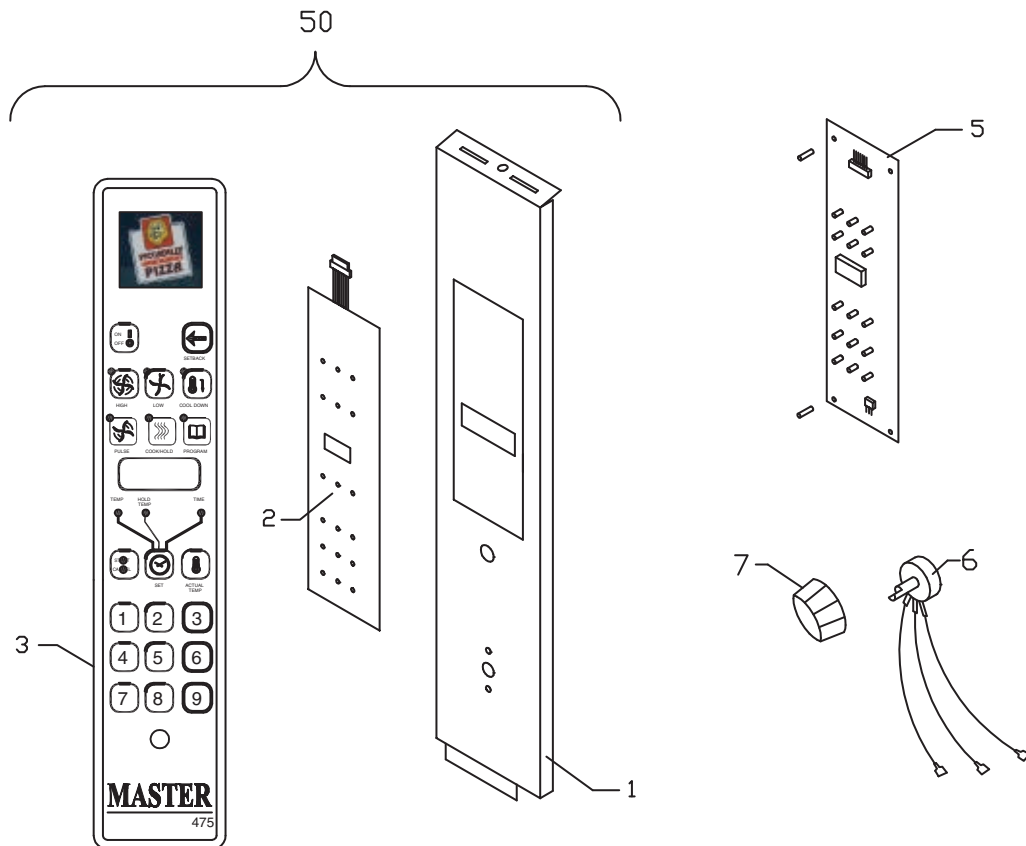
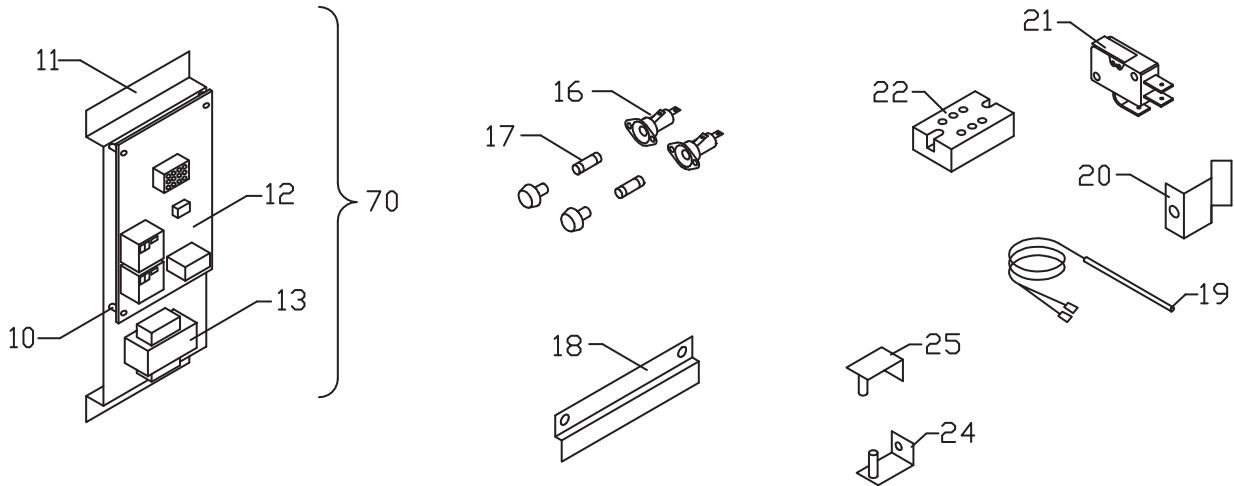
ITEM	PART #	DESCRIPTION	QUANTITY	DATE	
				UP TO	FROM
1	1830899	Control Panel - Piccadilly	1		
2A^	1830901	Piccadilly 8 Buttons 2 SP Overlay	1	11-Sep-02	
2B^	1831401	Piccadilly Logo Overlay (Small Style)	1	11-Sep-02	
3	1382502	Control Panel Bracket Top	1		
4	1382597	Control Panel Bracket Bottom	1		
5A^	1517701	Control Memory Key	1	11-Sep-02	
6	1768701	Probe Holder	1		
7	1774101	Fuse Holder	2		
8	1130108	Fuse (N.L.A.)	2	07-May-03	
	4513157	Fuse - 600V 10A Time Delay	2		07-May-03
9	1019203	Rocker Power Switch (Cook / Off / Cool Down)	1		
10	1019209	Rocker Power Switch 2 Pos On/Off (6 terminals - High-Low Speed)	1		
11	1765901	Indicator Light 240V Red	1		
12	1720501	Time/Temp Knob	2		
13	1516600	Key Lock W/Backing Nut - Tiered Timer	1		
14	1028402	Ground Lug (208/240)	1		
15	1847301	Key Lock Protector	1		
16	1028801	Snap Bushing 1/2" Dia. SB500-6	1		
17	9006800	Sensor Probe 5" W/36"Teflon – Digital Control Only	1		
18	1382503	Control Panel Bracket Side	1		
19	1771513	Wiring Harness LM-301 Half CO	1		

* NOT ILLUSTRATED

^ PHOTO AT THE END

RECOMMENDED STOCK PARTS

PICCADILLY USED FROM SEPTEMBER 11, 2002 TO NOVEMBER 18, 2003.



GARLAND PARTS IDENTIFICATION
IM470 Electronic Programmable Control

ITEM	PART #	DESCRIPTION	QTY	DATE	
				UP TO	FROM
1	1946686	Control Panel MCO-E-5 IM475 ASSY	1		
2	1911702	Membrane - Chain Control Keypad	1		
3	1908529	Overlay Piccadilly 470 Control	1		
5^	4514193	IM470 Controller	1	11-Sep-02	18-Nov-03
6	1911601	Encoder (For Spares)	1		
7	1720502	Fast Control Knob	1		
10	1767901	Nylon PCB Spacer	4		
11	1916801	Bracket - Relay Board	1		
12	1916901	Relay Board PCB Assembly	1		
	1916903	PCB Assembly - CE Models	1		
13	1917198	Transformer 208/240V to 24VAC	1		
16	1774101	Fuse Holder 600V 30A HPG	2		
17	1130108	Fuse - 10 Amp 600V N.L.A.	2	07-May-03	
	4513157	Fuse - 10 Amp 600V Time Delay	2		07-May-03
18	1787302	Component Bracket Slide	1		
19	1773501	Enclosed Probe W/36" Leads	1	22-Jan-03	
	9006800	Probe Tube	1		22-Jan-03
20	1768701	Probe Holder	1		
21	9006401	Switch Mini Snap Hi-Temp 1 Amp Location: Door Switch on the Top Left Hand Corner	1		17-Jan-02
22	1767801	Enclosed Terminal Block 3 Pole	1		30-Jan-02
24	1382597	Control Panel Bracket Bottom	1		
25	1382502	Control Panel Bracket Top	1		
30*	1804730	Main Harness MCO-E-5	1		
31*	1804731	Door Harness MCO-E-5	1		
32*	1807845-Rev3	Wiring Diagram 208/240 60HZ Electronic - 1/2 size MCO 2 Spd	1		
	1807846	Wiring Diagram 220/380 50HZ Electronic	1		

Kits Available

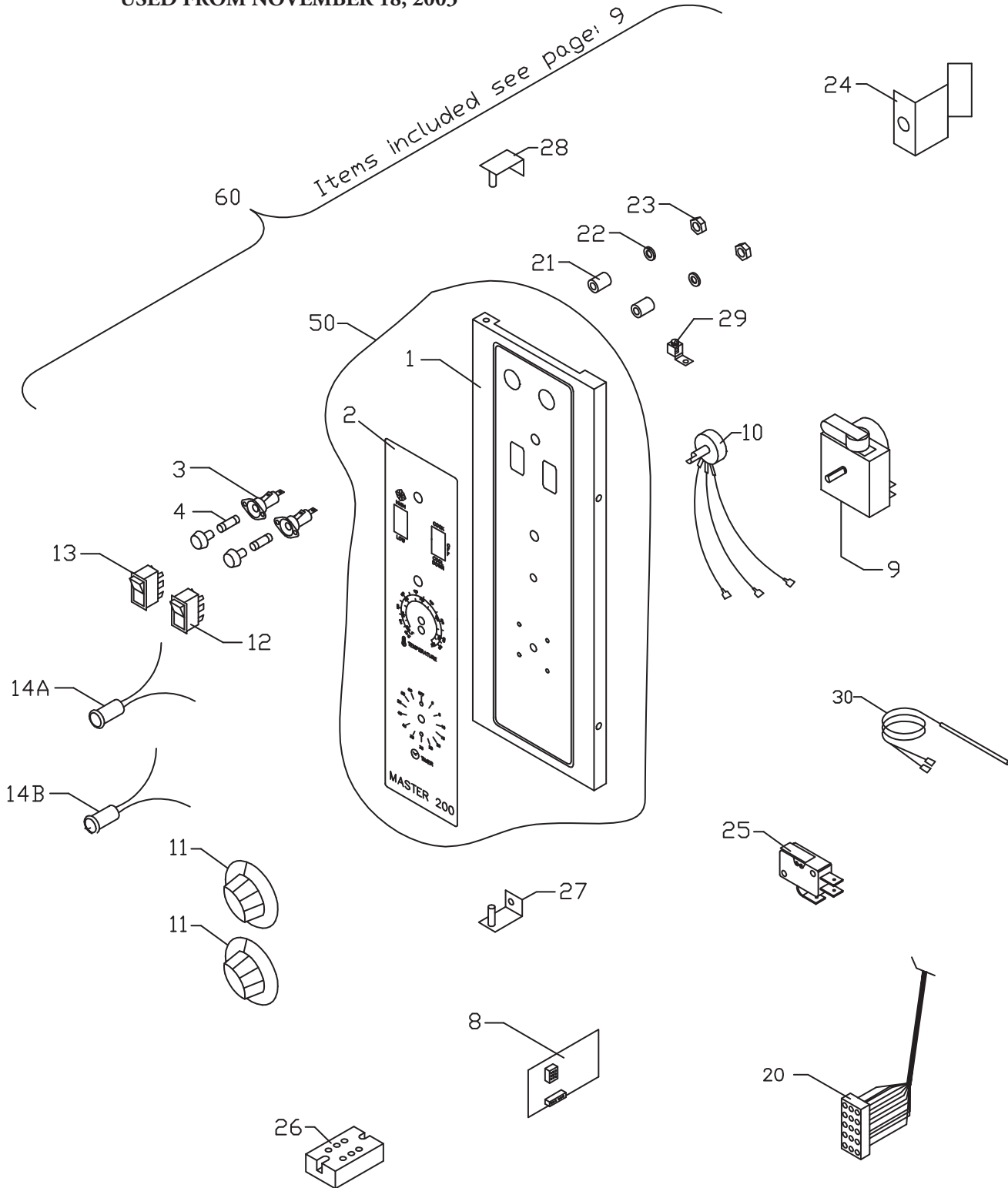
50^	4512369	KIT-Control Panel IM470 MEM./Overlay - Piccadilly Include Items: 1, 2, 3	1	11-Sep-02	18-Nov-03
70	1917098	Relay Board Assembly - 208/240V Include Items: 10, 11, 12, 13	1		
	1917097	Relay Board Assembly - CE Models Include Items: 10, 11, 12, 13	1		

* NOT ILLUSTRATED

^ PHOTO AT THE END

RECOMMENDED STOCK PARTS

USED FROM NOVEMBER 18, 2003



GARLAND PARTS IDENTIFICATION
IM200 MECHANICAL CONTROL PANEL W/TIMER

ITEM	PART #	DESCRIPTION	QUANTITY	DATE	
				UP TO	FROM
1	1946685	Control Panel MCO-E-5 IM200	1		
2^	1908528	Overlay MCO 200 WO/Light	1		
3	1774101	Fuse Holder 600V 30A HPG	2		
4	1130108	Fuse - 10 Amp 600V N.L.A.	2	07-May-03	
	4513157	Fuse - 10 Amp 600V Time Delay	2		07-May-03
8^	1955501	Power Control Board - IM200, 150-500 DEG F	1		
9	1956002	Timer - 1 HR, 208/240V W/Alarm	1		
10	1955601	Potentiometer - IM200 150-500DEG	1		
11	1765802	Fluted Knob W(2) Set Screws	2		
12	1955401	Switch Rocker ON-OFF-ON (Cook/Off/Cool Down)	1		
13	1955402	Switch Rocker ON-ON (Hi - Low Speed Switch)	1		
14A	1006498	Amber Pilot Light 28V	1		
14B	1006493	Pilot Light Green 240V	1		
20A	1804745	Harness Main IM200 MCO-E-5	1		
20B	1804741	Harness Main Panel IM200	1		
20C	1804747	Harness Door SW IM200 MCO-E-5	1		
21	1955701	Standoff - Nylon - 1/4X1/2X1	2		
22	1955801	Washer - Teflon - 7/16 OD	2		
23	8001502	Nut W/L/Washer 6-32 KEP	2		
24	1768701	Probe Holder	1		
25	9006402	Switch Mini Snap Hi-Temp 15amp Location: Door Switch on the Top Left Hand Corner	1		
26	1767801	Enclosed Terminal Block 3 Pole	1		30-Jan-02
27	1382597	Control Panel Bracket Bottom	1		
28	1382502	Control Panel Bracket Top	1		
29	1028402	Ground Lug	1		
30	1773501	Enclosed Probe W/36" Leads	1	22-Jan-02	
	9006800	Probe Tube	1		22-Jan-02
31*	1382659	Installation / Operation Manual			
32*	1103307	Terminal Block Marking Strip Label	1		30-Jan-02
33*	1807857	Wiring Diagram IM200 60HZ 208/240V 2SP			

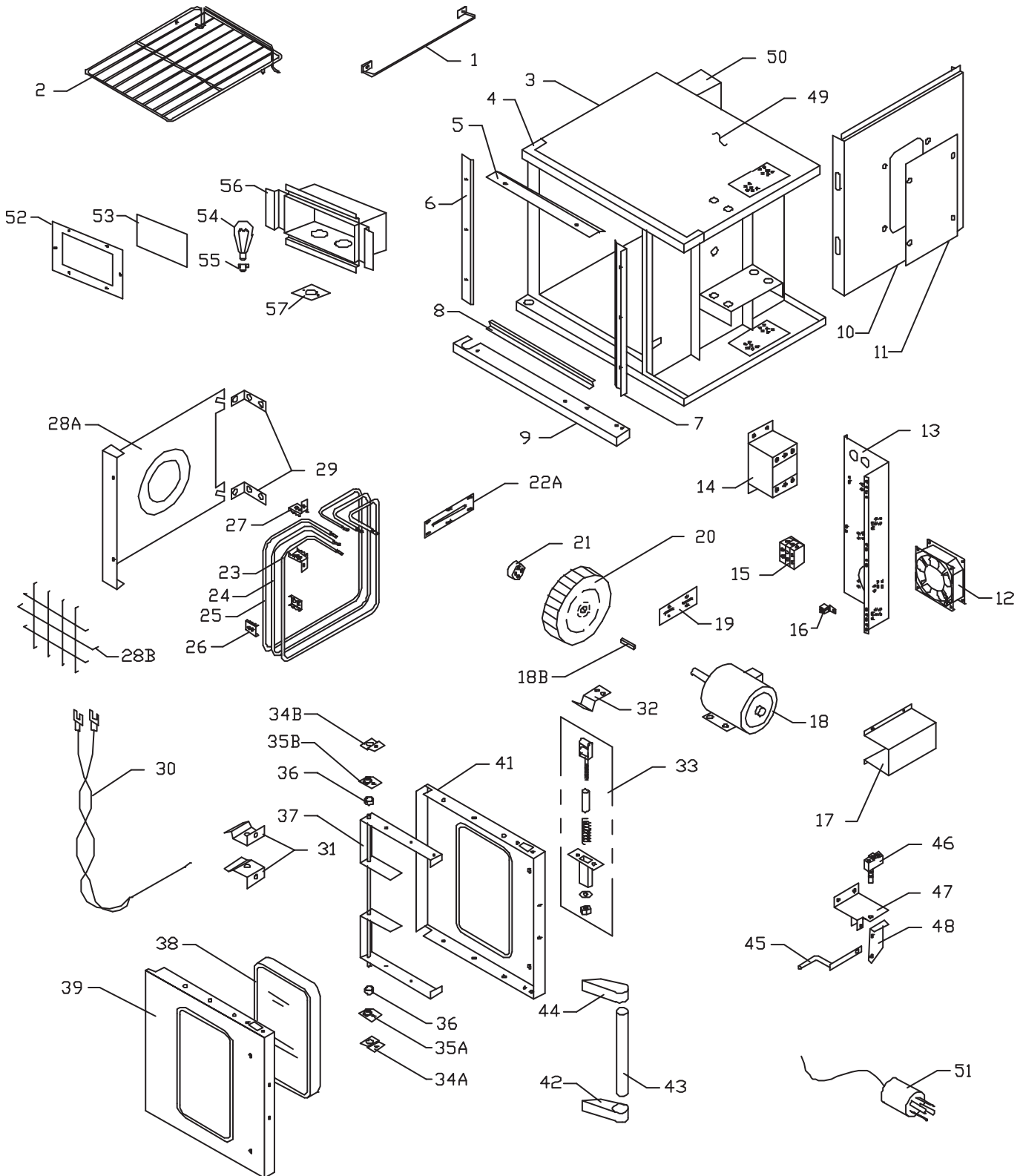
Kits Available

50	1957884	B/A MCO-E-5 IM200 Panel / Overlay Included Items: 1 & 2	1		
60	1957984	IM200 MCO-E-5 Control Pane – Included Items: 8,9,10,11,12,13,14A,14B,20B,21,22,23 & 50	1		

* NOT ILLUSTRATED

^ PHOTO AT THE END

RECOMMENDED STOCK PARTS



Functional Components Picca

GARLAND PARTS IDENTIFICATION
LM-301 (Piccadilly) Half Size Functional Components

ITEM	PART #	DESCRIPTION	QUANTITY	DATE	
				UP TO	FROM
1	1831099	Piccadilly Side Rack	10		
2	1766001	Oven Rack 20"-1/2x14"	5		
3	1381400	Body Side Left	1		
	1381402	S/S Left Panel	1		
4	1385300	Main Top Front Veneer S/S	1		
5	1770201	Top Door Seal	1		
6	1770001	Left Door Seal	1		
7	1770101	Right Door Seal	1		
8	1770202	Bottom Door Seal	1		
9	1379901	Front Base Channel	1		
10	1381404	Body Side R/H Panel	1		
	1381405	S/S Right Panel	1		
11	1770402	R/H Side Access Cover	1		
	1770401	Access Panel	1		
12	1774001	230V 50/60 Boxer Fan - 80mm 230V AC 50/60Hz	1		
13	1769901	Partition Cover	1		
14	1637002	Contactora 240V Coil	1		
15	1767801	Terminal Block	1		
16	1028402	Ground Lug (208/240)	1		
17	1765501	Element Cover	1		
18	1773802	Motor 208/240V 2 Speed	1		
18B	1765703	Keyway 3/16			
19	1765104	Insulation Cover	1		
20	1765704	Blower Wheel	1		
21	1765702	Wheel Puller	1		
22A	1765108	Element Oven Patch	1		
22B*	1765103	Insulating Plate 6 X 2.5			
23	1765102	Outer Element 208V	1		
	1765110	Outer Element 240V	1		
24	1765111	Center Element 208V	1		
	1765112	Center Element 240V	1		
25	1765101	Inner Element 208V	1		
	1765109	Inner Element 240V	1		
26	1765106	Element Holder W/O Flange	5		
27	1765105	Element Holder W/ Flange	5		
28A	1829599	Air Baffle GCE LM 301 Only	1		
28B	1014500	Blower Inlet Cover	1		
29	1771099	Air Baffle Support Bracket S/W	2		
30	1773501	Temp. Probe /36" Lead – Manual Only	1		
	9006800	Sensor Probe 5" W/36" Teflon – Digital Control Only	1		
31	1768701	Probe Holder	2		
32	1750501	Door Catch	1		
33	CK1757998	Latch Bench Ass'y	1		
34A	1385501	Door Bearing Retainer-Bottom	1		
34B	1385500	Door Bearing Retainer - Top	1		
35A	1385498	Hinge Bracket Bottom Assy	1		
35B	1385499	Hinge Bracket Top Assembly	1		
36	1011201	Steel Tubing Chrome Spacer	2		
37	1380896	Door Frame Assy	1		
38	1010999	Oven Door Window (3/16" Glass)	1		
39	1770307	Oven Door Panel W/Window LM-301	1		
40	1770399	Complete Door Assembly	1		

* NOT ILLUSTRATED

RECOMMENDED STOCK PARTS

GARLAND PARTS IDENTIFICATION
LM-301 (Piccadilly) Half Size Functional Components

ITEM	PART #	DESCRIPTION	QUANTITY	DATE	
				UP TO	FROM
41	1770396	Door Line W/Window S/W	1		
	1770397	Door Line W/O Window	1		
42	1562604	Door Handle End Black - Bottom	1		
43	1664801	Door Handle	1		
44	1562605	Door Handle End Black - Top	1		
45	1320497	Activating Rod	1	01-Jun-99	
	1904099	Activating Rod W/A Bracket	1		01-Jun-99
46	1019600	Door Micro Switch	1		
47	1769701	Micro Switch Bracket	1	01-Jun-98	
	1904001	Micro Switch Bracket	1	01-Jun-99	
	1946804	Micro Switch Bracket	1		01-Jun-99
48	1320405	Activating Bracket	1	01-Jun-98	
	1904002	Activating Bracket	1		01-Jun-98
49	1381396	Main Top S/W Cr	1		
	1381397	S/S Top Panel	1		
50	1380202	Flue Box	1		
51	1834506	8' Long Power Cord 600V 30Amp	1		
	1834507	30 Amp Locking Plug	1	01-Jan-98	
	1834503	Plug 30A 3 PH 250V	1		01-Jan-98
52	1847203	Light Glass Cover Frame	1		
53	1676902	Light Glass Frosted	1		
54	1623900	Light Bulb 40W	2		
55	1025800	Lamp Socket – Porcelain	2		
56	1847202	Light Box	1		
57	1025900	Light Socket Gasket	1		

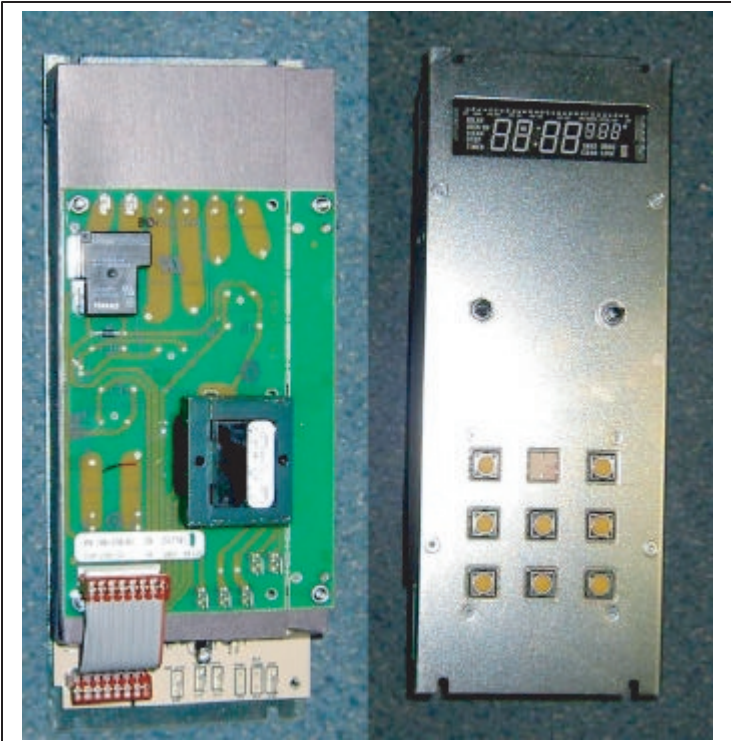
* NOT ILLUSTRATED

RECOMMENDED STOCK PARTS

LANDMARK (LM) – PICCADILLY’S – USED UP TO SEPTEMBER 11, 2002



1830901 - Overlay



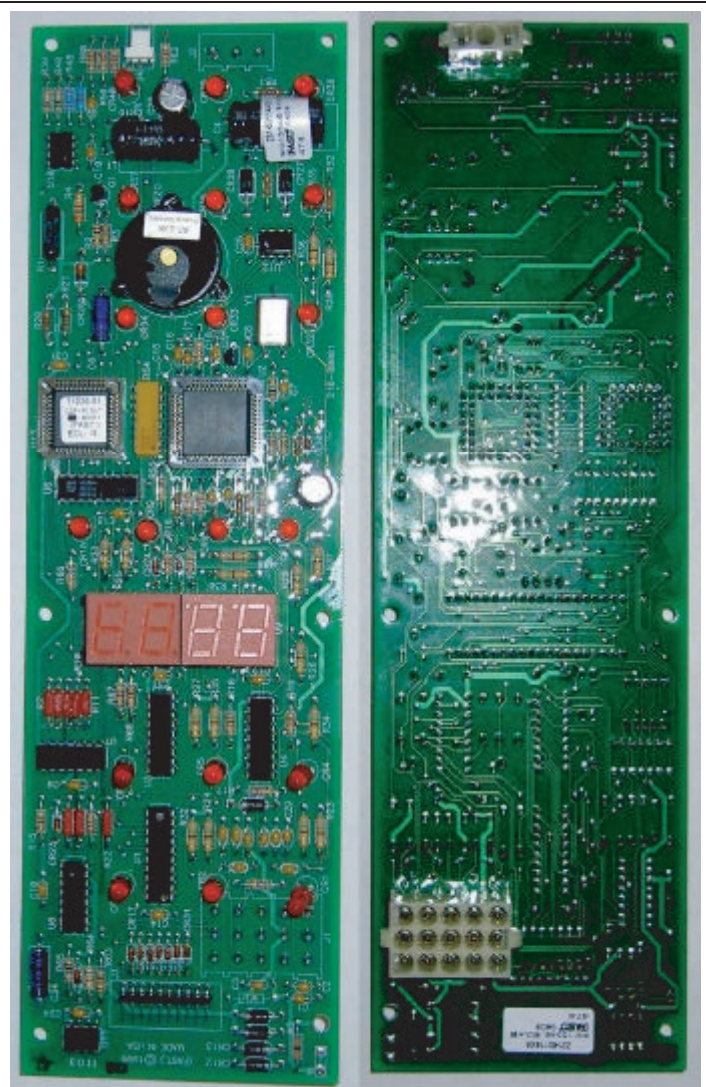
1517701 – Control Board Memory Key



1831401 – Overlay - Piccadilly



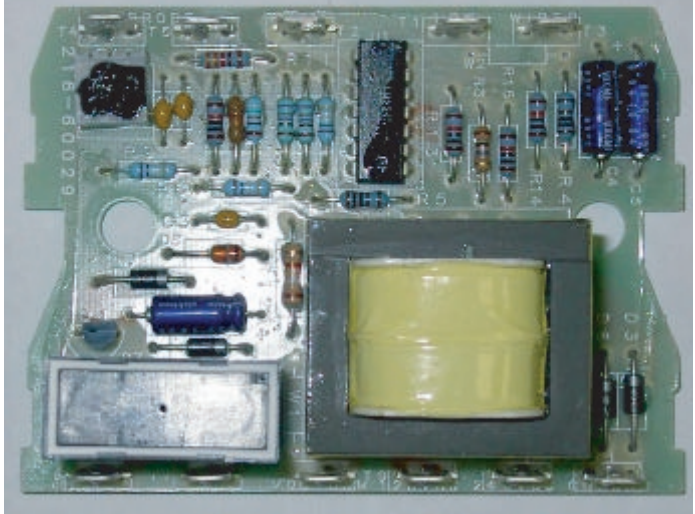
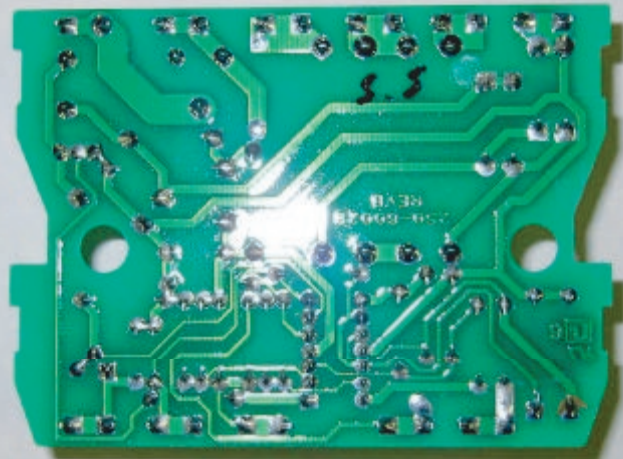
4512369 – Control Panel Assembly



4514193 – Control Board – Landmark IM470



1908528 - Overlay



1955501 – PCB Board 150-500 F

GARLAND PARTS IDENTIFICATION

Revision History

REV. #	PAGE #	ITEM #	NOTE	DATE
0			Whole Book Reformatted	May 27/05

NOTES

NOTES

NOTES

 **GARLAND**[®]