

**Full Size C.O. Kit – Double Deck Electric w/Inserts, SS
P/N 1951221**

| Packed | Part No | Description | Qty |
|--------------------------|----------------|---------------------------------------|------------|
| <input type="checkbox"/> | 1824901 | Decking Schematic DP | 1 |
| <input type="checkbox"/> | 1824902 | Decking Schematic Std | 1 |
| <input type="checkbox"/> | 1007000 | Instruction Bag | 1 |
| <input type="checkbox"/> | 1816501 | Stacking Bracket | 1 |
| <input type="checkbox"/> | 8003404 | Hex Head Bolt, 1/4-20x3/4 | 6 |
| <input type="checkbox"/> | 8000203 | Lock Washer, 1/4 in. | 6 |
| <input type="checkbox"/> | 8001206 | Hex Nut, 1/4-20 | 6 |
| <input type="checkbox"/> | 1920099 | Flue Tube | 1 |
| <input type="checkbox"/> | 8002108 | Sheet Metal Screw, #10 Phillips 3/4in | 4 |
| <input type="checkbox"/> | 1927195 | Leg | 4 |
| <input type="checkbox"/> | 8003415 | Hex Head Bolt, 3/8-16x3/4 | 16 |
| <input type="checkbox"/> | 8000310 | Flat Washer, 3/8 in | 16 |
| <input type="checkbox"/> | 1236100 | Square Foot Insert | 4 |
| | | | |

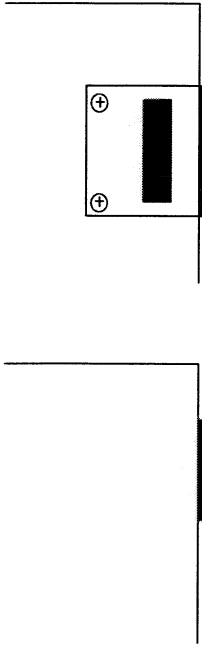
Packed by: _____

Stacking Instructions

Garland Master Or US Range Summit Convection Ovens

These instructions apply to the stacking of two newer version MCO ovens or one newer version with one older version MCO oven. Generally, ovens manufactured after April 24, 2000 will be new version ovens. A quick visual inspection can determine which oven you have. If you are unsure contact your sales representative.

Visually inspect the oven vent exit at the right rear of the oven top. If the vent exits through the top panel and has a decorative stainless steel cover around it, it is an older version oven. If the vent exits the rear of the oven top and there is no decorative cover you have a newer version oven.

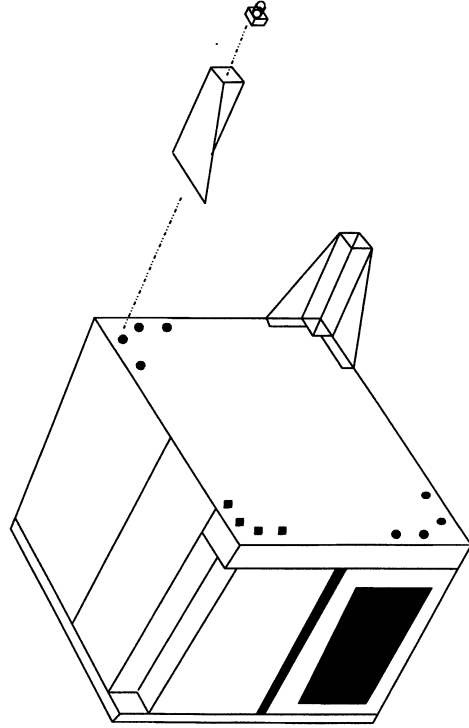


New Style

Old Style

If stacking a new and an old oven, the new oven must be the lower of the two.

1. Raise the lower oven or turn on its left side.
2. Using a hammer, lightly tap the inserts into each leg.
3. Attach the legs to the oven using 3/8" hex head bolts and washers.
4. Lower the unit or turn it upright.



5. Lift the upper unit on top of the lower unit and align the corners.
6. Install the stacking bracket to the rear using 1/4" hex head screws, washers and nuts.

If either unit has a decorative back cover installed you may have to temporarily remove it to attach this bracket.

Note: If you are installing these units in a correctional facility replace the normal 1/4" hex head bolts with the 1/4" tamper resistant bolts shipped with the special tool kit.

7. Remove the outer vent cover from the lower oven and discard. If the upper oven is a newer version, remove and discard its outer vent cover also.
8. Install the flue riser tube to the lower oven vent. Fasten with two Phillips screws.
9. Older version upper oven: Fasten the flue riser tube to the rear of the oven using the two screws holding the decorative cover to the rear of the oven.
Newer version upper oven: Align the flue riser tube to the oven vent. Fasten to the rear cover with Phillips screws.
10. Install the restraining bracket to the rear of the upper unit using Phillips screws.
11. If this is a gas installation, assemble gas stacking fittings now.
12. Insure all fittings are assembled using thread compound and tightened properly with a wrench.

