

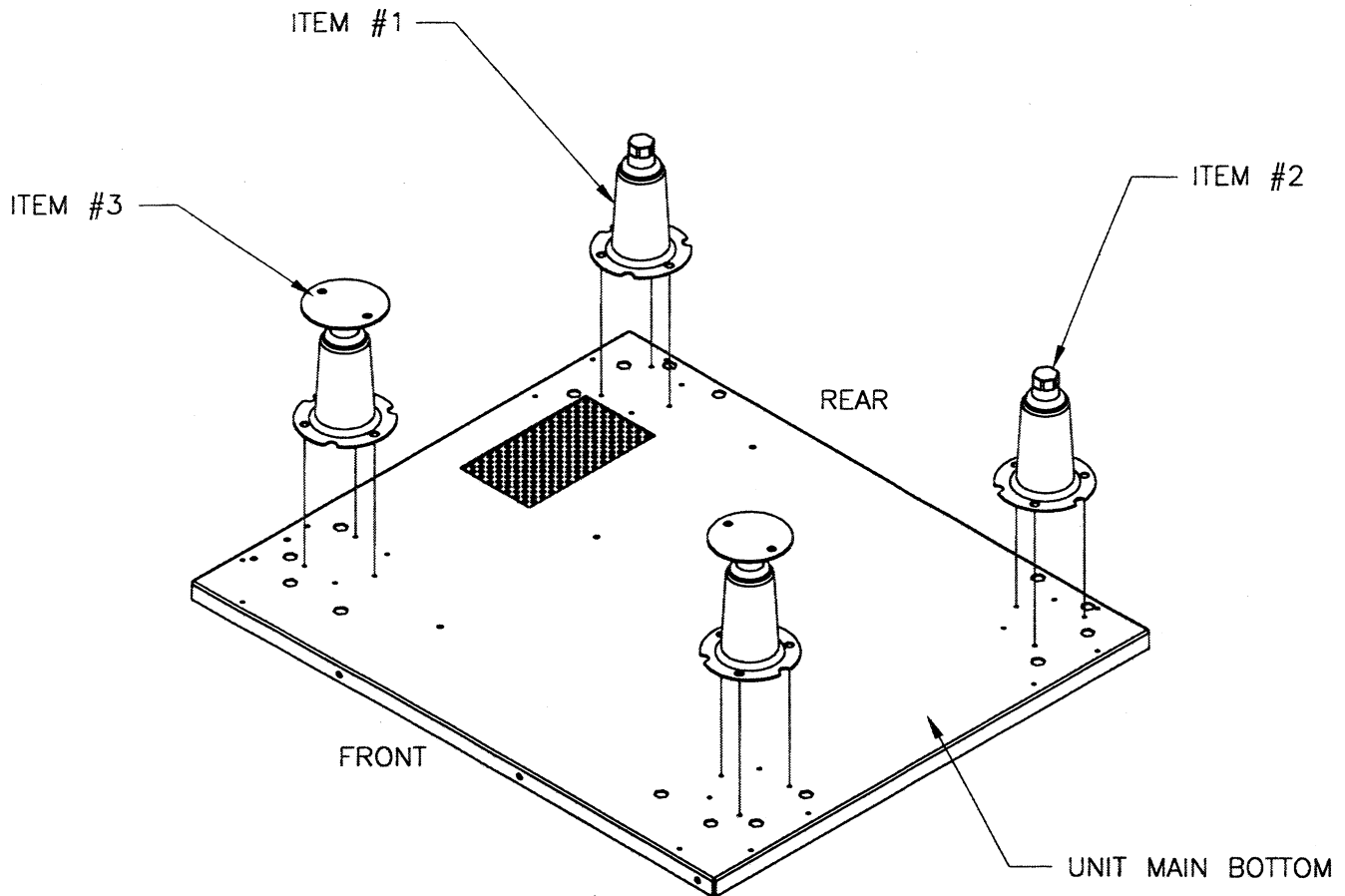
VERIFY ALL PARTS ARE PRESENT BEFORE BEGINNING ASSEMBLY.

**PARTS LIST**

4	8002413	ES-GRIP HEX HEAD SMS	12
3	1150504	FLANGED BULLET FOOT	2
2	1150501	BULLET LEG	2
1	1027603	STANDARD 4" LEG CONE	4
ITEM	PART NUMBER	DESCRIPTION	QTY

**INSTRUCTIONS**

- 1 - LAY THE UNIT ON THE OVEN SIDE OPPOSITE THE CONTROL PANEL, PREFERABLY ON CARDBOARD OR A BLANKET TO PREVENT SCRATCHING THE OVEN SIDE.
- 2 - LOCATE THE CORRECT MOUNTING HOLES IN THE BOTTOM OF THE UNIT.
- 3 - ATTACH THE LEG CONES TO THE MAIN BOTTOM OF THE UNIT USING (3) OF THE HEX HEAD SHEETMETAL SCREWS PER LEG.
- 4 - INSERT PART #1150501 INTO THE BACK (2) LEG CONES, AND PART #1150504 INTO THE FRONT (2) LEG CONES.
- 5 - TIGHTEN ALL FASTENERS BEFORE STANDING UNIT ON LEGS.



**\*\* VIEW ILLUSTRATING UNIT UPSIDE DOWN \*\***