



Master Series Electric Xpress Grill

Item: _____
 Quantity: _____
 Project: _____
 Approval: _____
 Date: _____

Master Series Electric Xpress Grill

Models:

- XE36
 XE36-2 L
 XE36-2 R
 XE36-1 L
 XE36-1 C
 XE36-1 R
 XE36CE
 XE36CE-2 L
 XE36CE-2 R
 XE36CE-1 L
 XE36CE-1 C
 XE36CE-1 R



Model XE36

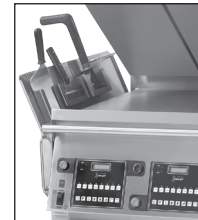
Standard Features:

- Stainless steel front, top & sides
- 4.3kW input for each 12-inch section of griddle
- XE36 models have 208V/220V/240V three phase bottom griddle plate
- "CE" approved models have the suffix "CE", these units are rated 380V/400V/415V three phase
- 3/4" (19mm) thick, Carbon steel griddle plate, machine ground, highly polished
- Die cast aluminum electric top heating elements rated 208V/220V/240V, 3-phase for XE36 models and 380V/400V/415V, 3-phase for XE36CE models
- Automatic lifting and lowering of top heaters
- Towel bar with bun pan lip
- Stainless steel dual side grease collectors

- Swivel casters (4) W/ front brakes)
- Separate programmable controller for each twelve-inch section
- Multi-colored LED indicator lights to identify operational mode
- One year limited parts and labor (USA & Canada)

Optional Features:

- Flared grease containers: (2) 1.5 gal., (5.68 L), with removable tool holders. NOTE: Increases overall width of grill to 47" (1192mm), (tools not included).



Specifications:

Two sided cooking device with electric griddle and three independently controlled 11.5" (286mm) wide electric top heaters. Each twelve inches of lower griddle plate to have 4.3kW input through three flat bar heating elements. Griddle plate to be 3/4" (19mm) thick Carbon steel, machine ground and highly polished. Automatic temperature control, time and gap monitored via custom, programmable controllers, one per foot of griddle. Electric top heaters to be provided with replaceable quick release Teflon sheets. Top heaters to have gapping adjustment in 0.010" increments. Grills available with three (XE36), two (XE36-2L/R) or one (XE36-1L/C/R) top platen model configurations. Grill available in 208V/220V/240V, three phase and 380V/400V/415V three phase for export.

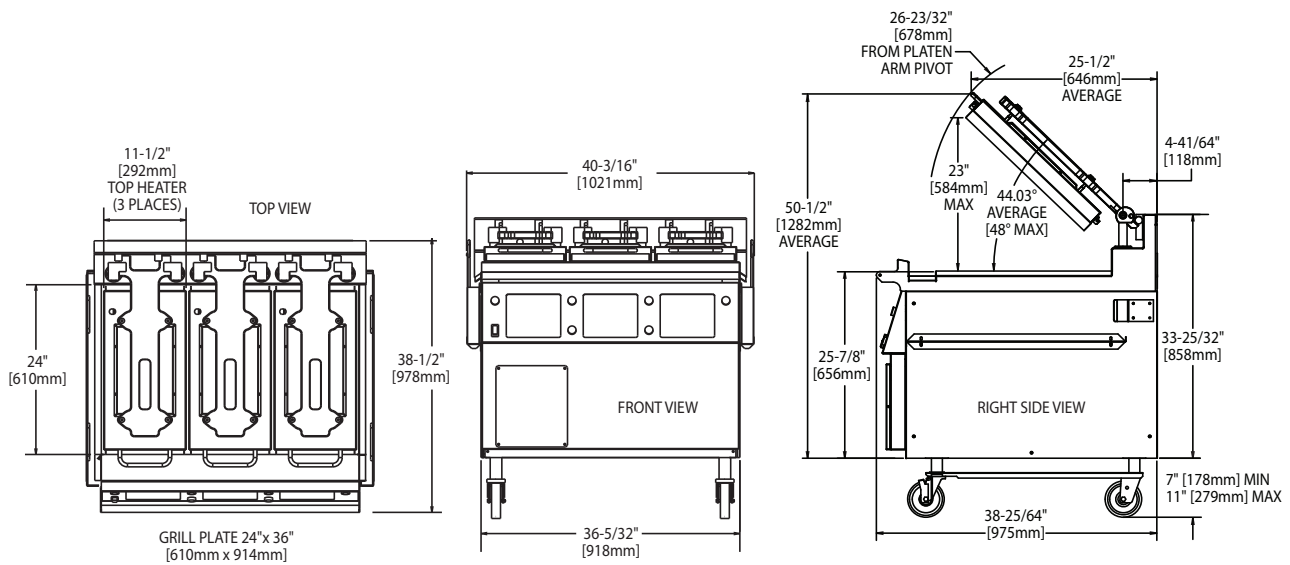


NOTE: Grills supplied with casters must be installed with an approved restraining device.

Garland Commercial Ranges Ltd.
 1177 Kamato Road,
 Mississauga, Ontario
 L4W 1X4 CANADA

General Inquiries 1-905-624-0260
 USA Sales, Parts and Service 1-800-424-2411
 Canadian Sales 1-888-442-7526
 Canada or USA Parts/Service 1-800-427-6668





Clearances			
Entry		Installation	
Crated	Uncrated	Sides	Rear
47-1/2" (1207mm)	40-3/4" (1035mm)	6" (152mm)	3" (76mm)

Model	Total kW Load	Loading kW Per Phase				Nominal Amps Per Line								
		208/220/240V 3-Phase				208V 3-Phase Delta			220V 3-Phase Delta			240V 3-Phase Delta		
		*	X-Y	X-Z	Y-Z	X	Y	Z	X	Y	Z	X	Y	Z
XE36	25.60	TB1	5.53	6.01	5.53	48.04	46.04	48.04	45.42	43.53	45.42	41.64	39.90	41.64
		TB2	2.78	2.78	2.78	23.14	23.14	23.14	21.88	21.88	21.88	20.06	20.06	20.06
XE36-2 L/R	21.60	TB1	4.19	4.67	4.19	36.88	34.88	36.88	34.88	32.98	34.88	31.96	30.23	31.96
		TB2	2.78	2.78	2.78	23.14	23.14	23.14	21.88	21.88	21.88	20.06	20.06	20.06
XE36-1 L/C/R	17.6	TB1	2.90	3.50	2.90	26.60	24.10	26.60	25.19	22.83	25.19	23.09	20.06	23.09
		TB2	2.78	2.78	2.78	23.14	23.14	23.14	21.88	21.88	21.88	20.06	20.06	20.06

* In North America XE36 model grills with top heaters require two (2) electric supplies
 TB1 = Terminal Block 1, TB2 = Terminal Block 2

Model	Total kW Load	Loading kW Per Phase				Nominal Amps Per Line											
		380/400/415V				380V			400V			415V					
		L1/N	L1/L2	L1/L3	L2/L3	L1/N	L1	L2	L3	L1/N	L1	L2	L3	L1/N	L1	L2	L3
XE36CE	25.66	0.70	8.30	8.30	8.30	3.18	39.42	37.83	37.83	3.04	37.45	35.93	35.93	2.90	36.10	34.64	36.64
XE36CE-2 L/R	21.42	0.52	6.97	6.97	6.97	2.36	32.95	31.76	31.76	2.26	31.30	30.18	30.18	2.16	30.17	29.08	29.08
XE36CE-1 L/C/R	17.40	0.33	5.63	5.63	5.63	1.50	26.41	25.66	25.66	1.48	25.09	24.37	24.37	1.37	24.18	23.50	23.50

Form# XE36 (01/09/12)