



MASTER SERIES
XE36 XPRESS GRILL (Electric)
NON-CE & CE VERSION

PARTS LIST

Toll Free Phone, (US & Canada): (800) 427-6668

Toll Free Fax, (US & Canada): (800) 361-7745

<http://www.garland-group.com>



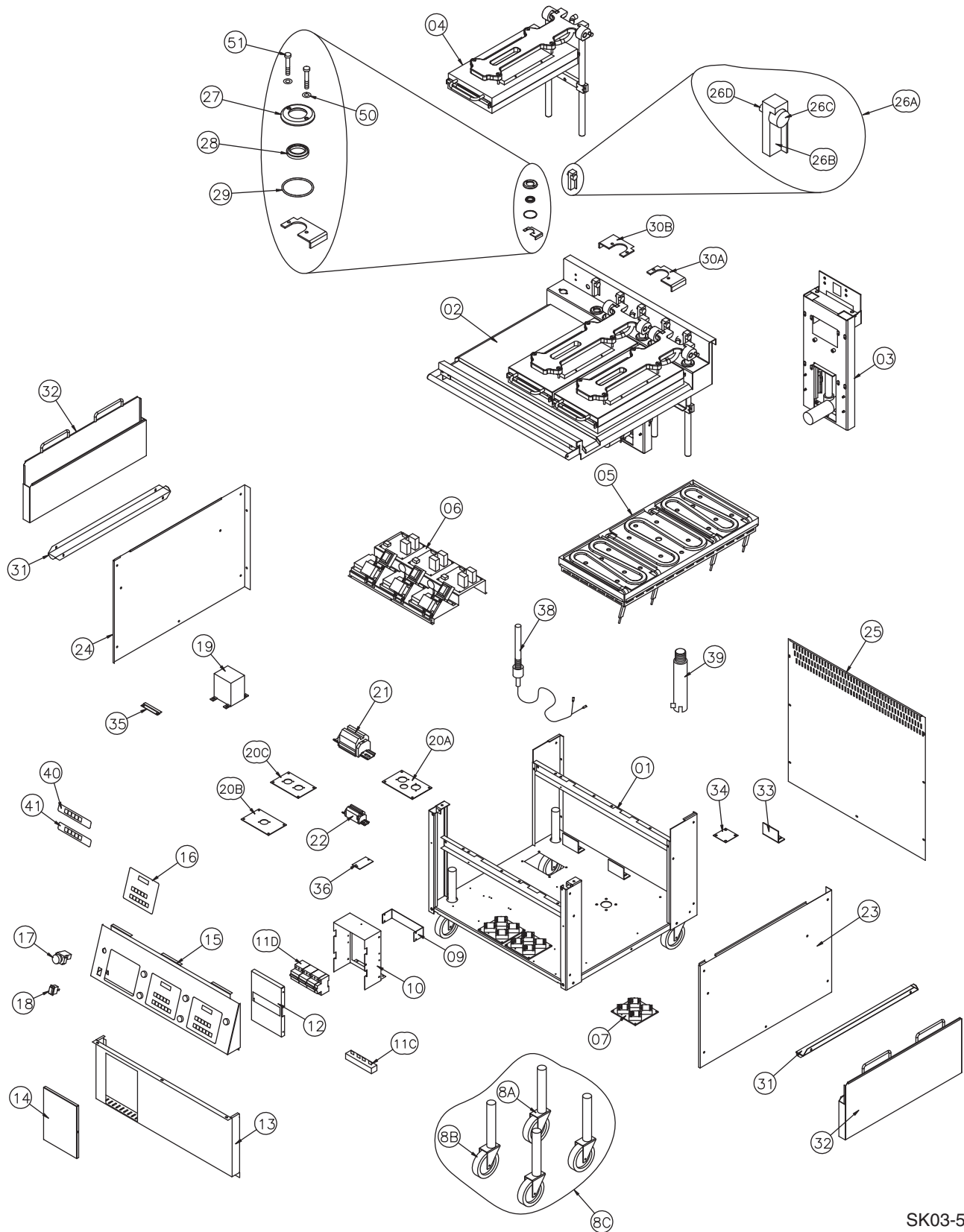
MASTER SERIES

XE36 XPRESS GRILL (Electric)

NON-CE & CE VERSION

Contents:

Xpress Grill Complete Exploded View - Model: Xe36	Page 4
Actuator Assembly	Page 8
Platen Assembly	Page 10
Element Pan Assembly	Page 12
Component Bracket Assembly	Page 14
Heat Sink Assembly	Page 16
Digital Photos	Page 18
Revision History	Page 21



SK03-543

GARLAND PARTS IDENTIFICATION
XPress Grill Complete Exploded View - Model: XE36
Non-CE & CE Version

ITEM	PART #	DESCRIPTION	QUANTITY	CRITICAL
1	4516058	Body Base Weld Assembly	1	
2	4516070	Plate Wa	1	
3	See Page 8	Actuator Assembly	1 Per Zone	
4	See Page 10	Platen Assembly	1 Per Zone	
5	See Page 12	Element Pan Assembly	1 Per Zone	
6	See Page 14	Component Bracket Assembly	1	
7	See Page 16	Heat Sink Assembly	2	
8A	4516978	Caster, Nonlocking	2	
8B	4517563	Caster, Locking	2	
8C	4520678	Caster Kit	1	
9	4516113	Circuit Support	1	
10	4516111	Circuit Box	1	
11A ^	4516980	Circuit Breaker, 1 Pole	1	C
11B ^	4516979	Circuit Breaker, 3 Pole 32 Amp, Elec Heater	2	C
11C	4517808	Bus Bar	1	C
11D	4517811	Circuit Breaker Assembly	1	C
12	4516112	Circuit Cover	1	
13	4516109	Front Panel Lower	1	
14	4516110	Circuit Door	1	
15	4516108	Front Panel Upper	1	
16	4516983	Control	2	C
17A ^	1859604	Push Button Black	2	
17B	1859605	Push Button Green	2	
17C ^	1859606	Contact Block	4	C
18	1872404	Power Switch	1	C
19	1864001	Transformer	1	C
20A	1868901	Power Cord Plate	1	
20B	1868904	Power Cord Plate - CE Version	1	
20C	4526048	Strain Relief Adapter Plate - CE Version	1	
21	4517674	Terminal Block 36 Inch Electric	1	
22	4516981	Terminal Block, 120V	1	C
23	4516105	Body Side, Right	1	
24	4516106	Body Side, Left	1	
25	4516107	Back	1	
26A	4520463	Arm Pivot Block Assembly	2 per zone	
26B	1856802	Arm Pivot Block	2 per zone	
26C	1854902	Cam Follower	2 per zone	
26D	1854903	Jam Nut	2 per zone	
27	4516098	Seal Cap	6	
28 ^	4524292	Wiper Seal	6	C
29	4524256	O-Ring	6	C
30A	4517013	Seal Cap Bracket Lt	3	
30B*	4517014	Seal Cap Bracket Rt	3	
31	4516976	Grease Bucket Support	2	
32	4516308	Grease Bucket Wa	2	
33	4516977	Actuator Base Brace	3	
34	4517129	Gas Inlet Cover	1	
35	1869301	Transformer Bracket	1	
36	4516114	Circuit Brace	1	

* NOT ILLUSTRATED

^ DIGITAL PHOTO AT END

RECOMMENDED STOCK PARTS

GARLAND PARTS IDENTIFICATION
XPress Grill Complete Exploded View - Model: XE36
Non-CE & CE Version

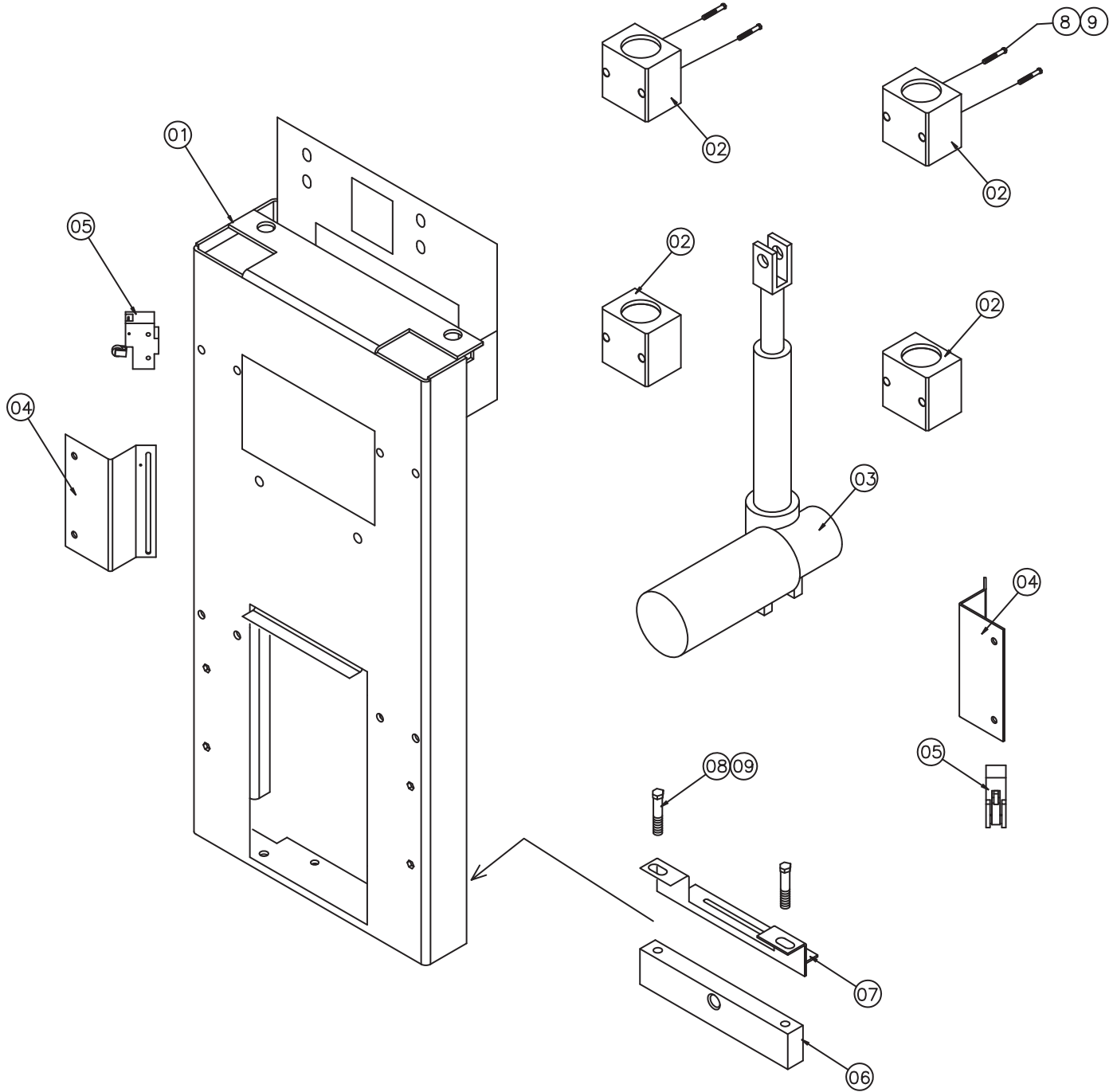
ITEM	PART #	DESCRIPTION	QUANTITY	CRITICAL
38	4520578	Grill Thermocouple	1	C
39	1859404	Grill Plate/Platen Bayonet Adapter	1	
40	4524978	Top Menu Strip Standard (Menu 1 -8)	1	
	4524683	Upper Menu Strip (Special for Chiles)	1	
	4526095	Top Menu Strip - Sonic	1	
41	4522360	Bottom System Icon Menu Strip (Std & JIB)	1	
50	1874301	#8-32 O-Ring	4 per zone	
51	8003437	MSCR - HH 8/32 x 1 Stl	4 per zone	

* NOT ILLUSTRATED

^ DIGITAL PHOTO AT END

RECOMMENDED STOCK PARTS

NOTES



SK03-546

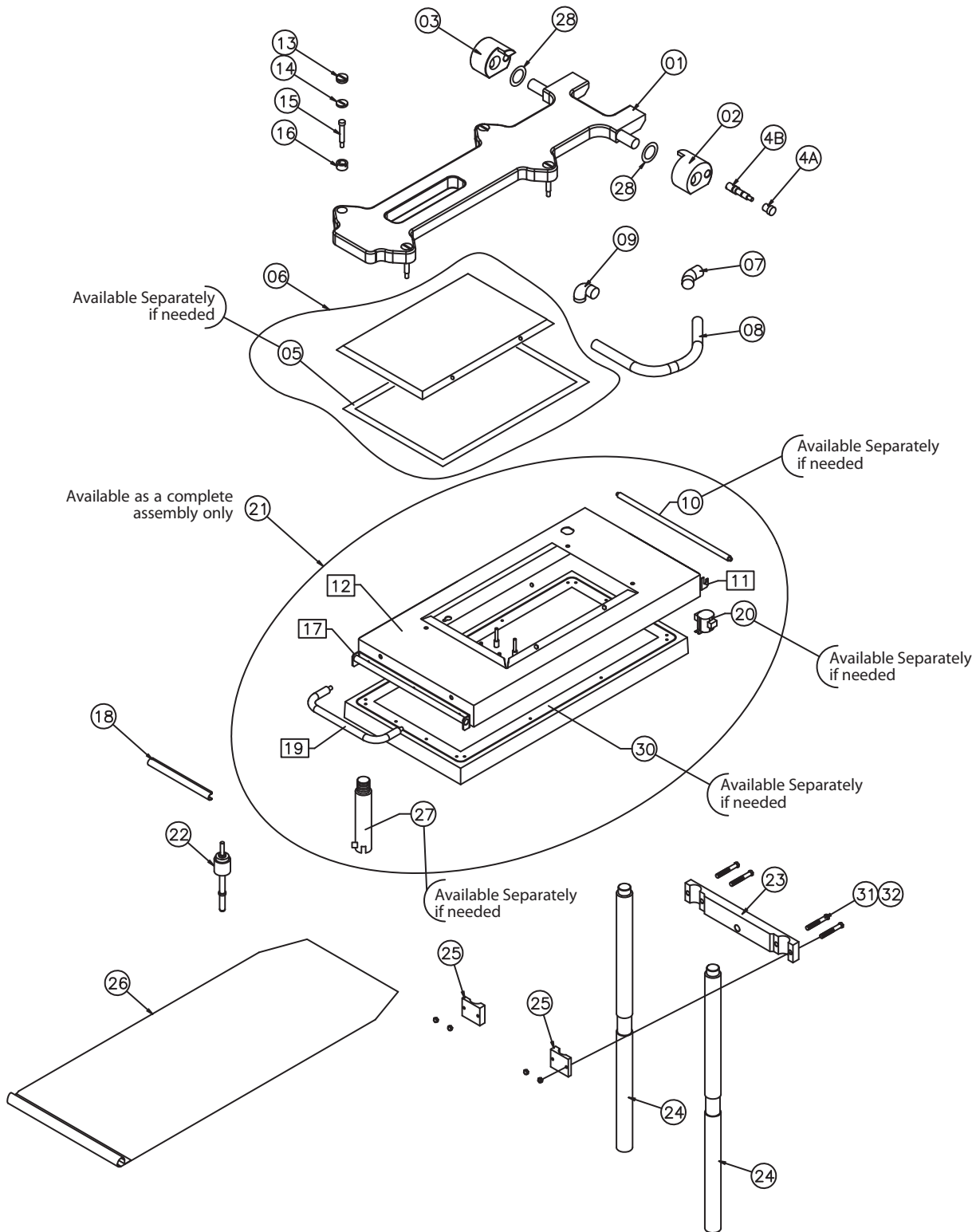
GARLAND PARTS IDENTIFICATION
XPress Grill Actuator Assembly View - Model: XE36
Non-CE & CE Version

ITEM	PART #	DESCRIPTION	QUANTITY	CRITICAL
1	4516080	Actuator Frame Wa	1	
2	4518156	Pillow Block Assembly	4	
3^	4525541	Actuator	1	C
4	1857601	Switch Bracket	2	
5	1855601	Upper/Lower Platen Limit Switch	2	C
6	1858001	Actuator Mount Block	1	
7	4516097	Actuator Base Bracket	1	
8	8003424	1/4" - 20 x 2.250" Shoulder Bolts	8	
9	8000206	1/4" Lock Washer	8	

* NOT ILLUSTRATED

^ DIGITAL PHOTO AT END

RECOMMENDED STOCK PARTS



- Available Separately
- Not Available Separately

SK02-782

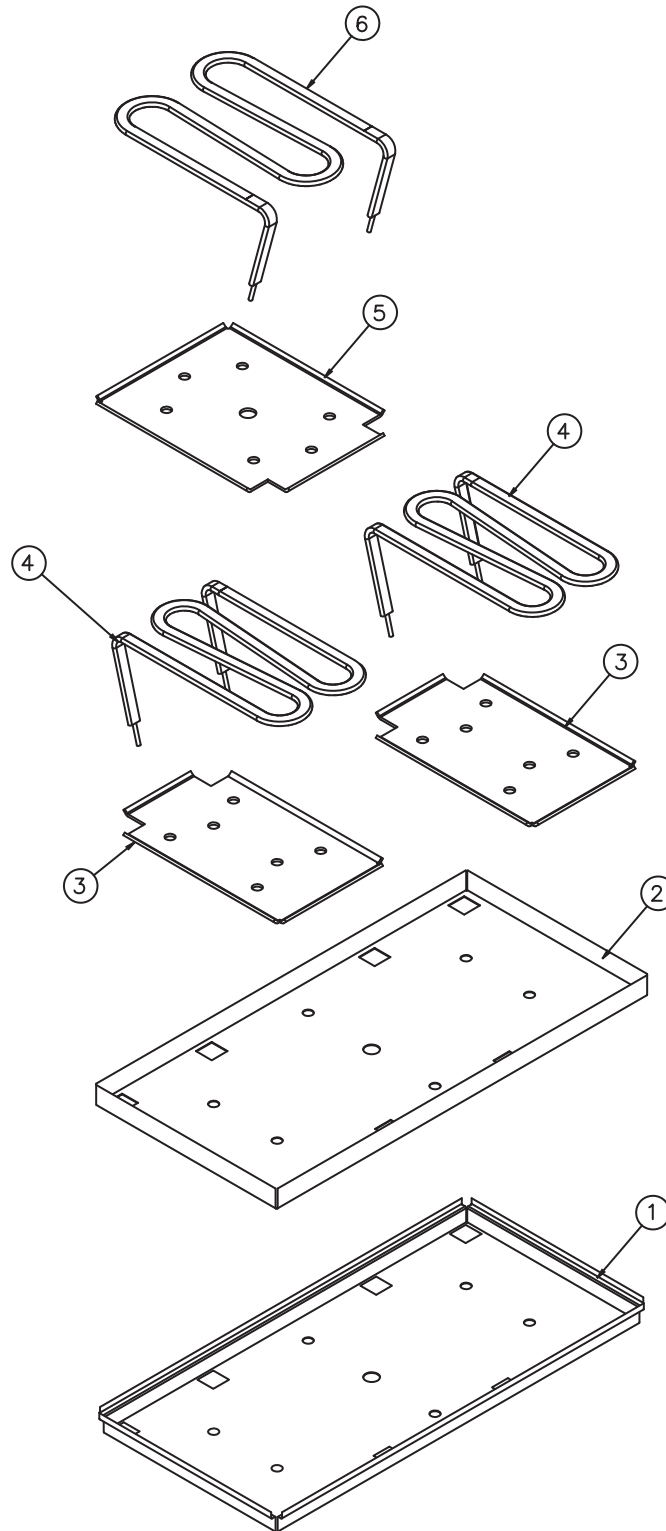
GARLAND PARTS IDENTIFICATION
XPress Grill Platen Assembly View - Model: XE36
Non-CE & CE Version

ITEM	PART #	DESCRIPTION	QUANTITY	CRITICAL
1	4516085	Platen Arm	1	
2	4520422	Carriage Block, Assembly, Rt	1	
3	4520423	Carriage Block, Assembly, Lt	1	
4A	1858501	Pivot Stop Knob	1	
4B	1858502	Pivot Stop Pin	1	
5	4522581	1/16 TH Silicone Gasket	3.5Ft	
6	4516092	Platen Lid	1	
7	4517021	3/8 Connector, 45 Deg	1	
8	4517022	Platen Conduit	1	C
9	4517020	3/8 Connector, 90 Deg	1	
10	4517008	Teflon Bar, Rear	1	
11	4516094	Teflon Holder, Rear (Not Available Separately) Note: Not Field Replaceable	1	
12	4516091	Platen Cowl (Not Available Separately)	1	
13	1859102	Platen Adjuster Cap	4	C
14	1859103	Platen Lock Nut	4	C
15	8005401	Shoulder Bolt	4	C
16	1859101	Platen Adjuster Nut	4	C
17	4516093	Teflon Holder, Front (Not Available Separately) Note: Not Field Replaceable	1	
18	1851301	Teflon Clip	1	C
19	1859501	Upper Platen Handle (Not Available Separately)	1	
20A^	1781301	Hi Limit - Auto Reset (Non CE)	1	C
20B^	1866601	Hi Limit - Manual Reset (CE Version)	1	C
21	4519752	Platen Assembly Complete 208V - Non CE	1	C
	4519753	Platen Assembly Complete 220V - Non CE	1	C
	4519755	Platen Assembly Complete 240V - Non CE	1	C
	4519756	Platen Assembly Complete 380V - CE Version	1	C
	4519757	Platen Assembly Complete 400V - CE Version	1	C
	4519758	Platen Assembly Complete 415V - CE Version	1	C
22	1859401	Platen Thermocouple	1	C
23	4516089	Cross Member	1	
24	4516084	Actuator Shaft	2	
25	4516090	Cross Member Bracket	2	
26	1799303	Teflon Sheet	1	C
27	1859402	Grill Plate/Platen Bayonet Adapter	1	
28	1855903	Teflon Washer Small	2	
30	1937701	Goretex GSKT Tape .75W .065T	5.5Ft	
31	8003423	Mscr-HH-Grd5 1/4-20x1-1/4Stl 2 (to attach #23 & #25)	4	
32	8000203	Lkwshr - SPL 1/4 x 1/2 x 1/16 Stl 2P (to attach #23 & #25)	4	

* NOT ILLUSTRATED

^ DIGITAL PHOTO AT END

RECOMMENDED STOCK PARTS



SK02-790

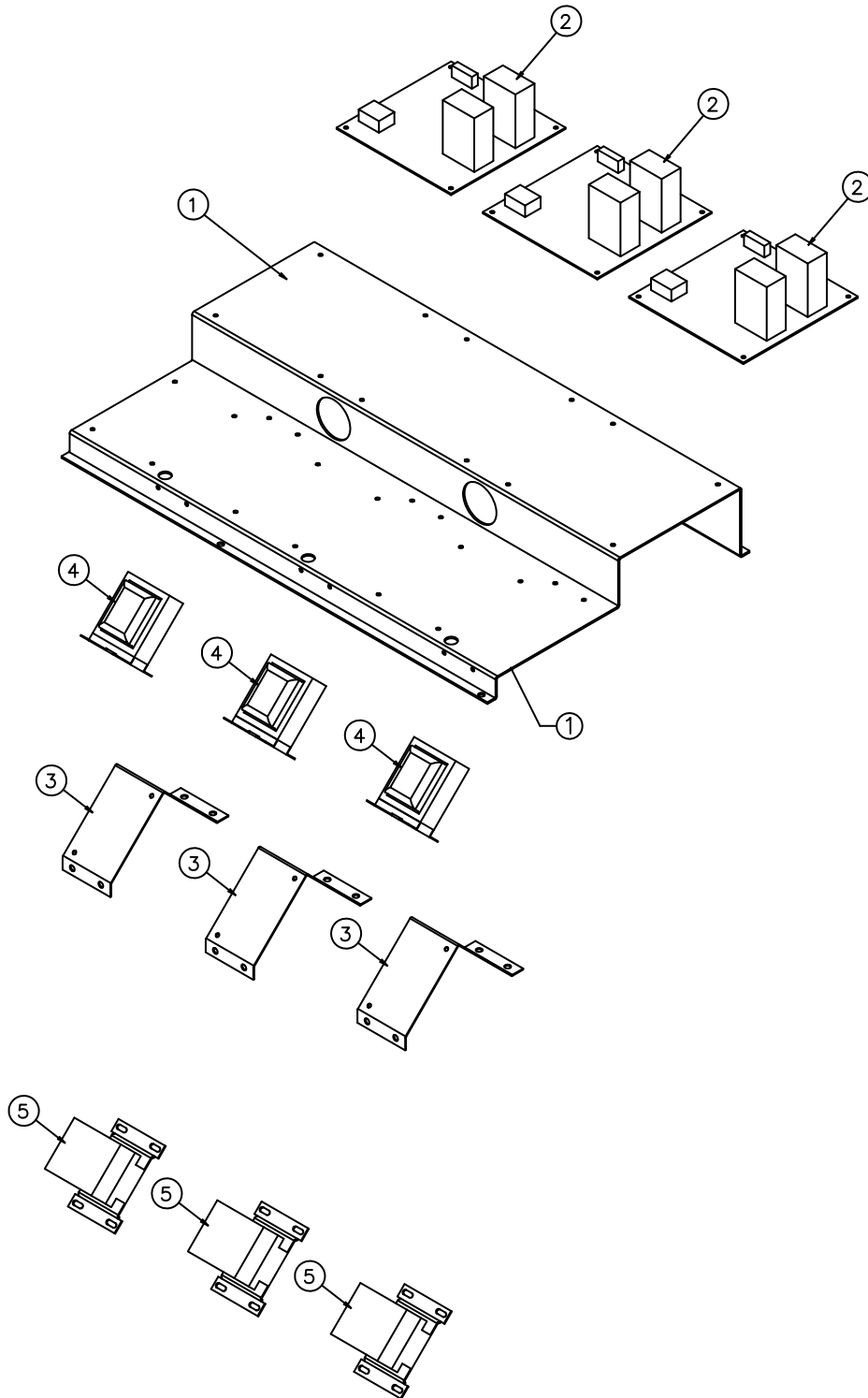
GARLAND PARTS IDENTIFICATION
XPress Grill Element Pan Assembly View - Model: XE36
Non-CE & CE Version

ITEM	PART #	DESCRIPTION	QUANTITY	CRITICAL
1	4516099	Element Pan, Lower	1	
2	4516100	Element Pan, Upper	1	
3	4516101	Element Clamp, Outer	2	
4	4516992	Outer Element 208V	2	C
	4516993	Outer Element 220V	2	C
	4516994	Outer Element 240V	2	C
	4517411	Outer Element 380V	2	C
	4516995	Outer Element 400V	2	C
	4517412	Outer Element 415V	2	C
5	4516102	Element Clamp, Inner	1	
6	4516996	Inner Element 208V	1	C
	4516997	Inner Element 220V	1	C
	4516998	Inner Element 240V	1	C
	4517413	Inner Element 380V	1	C
	4516999	Inner Element 400V	1	C
	4517414	Inner Element 415V	1	C

* NOT ILLUSTRATED

^ DIGITAL PHOTO AT END

RECOMMENDED STOCK PARTS



SK02-668

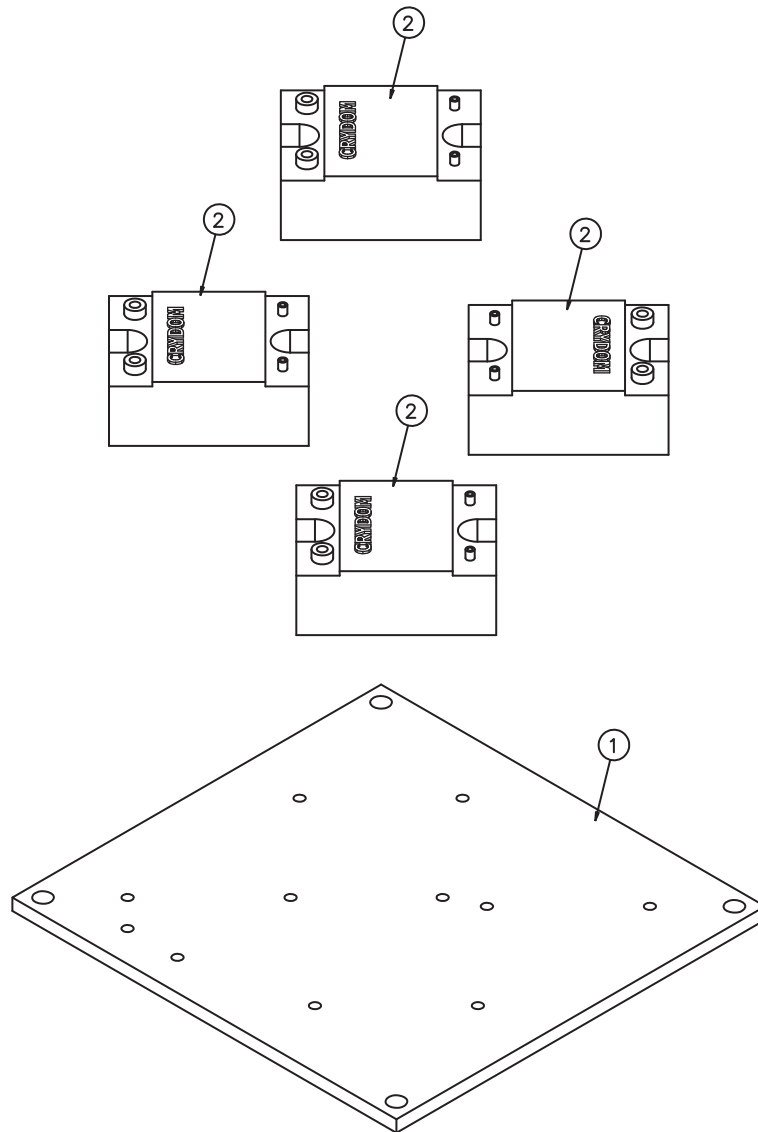
GARLAND PARTS IDENTIFICATION
XPress Grill Component Bracket Assembly View - Model: XE36
Non-CE & CE Version

ITEM	PART #	DESCRIPTION	QUANTITY	CRITICAL
1	4516682	Component Bracket	1	
2^	4516989	Motor Speed Control	3	C
3	4516079	Contactator Bracket	3	
4	1269800	24 Volt Transformer	3	C
5^	1637001	Contactator	3	C

* NOT ILLUSTRATED

^ DIGITAL PHOTO AT END

RECOMMENDED STOCK PARTS



SK02-700

GARLAND PARTS IDENTIFICATION
XPress Grill Heat Sink Assembly View - Model: XE36

Non-CE & CE Version

ITEM	PART #	DESCRIPTION	QUANTITY	CRITICAL
1	4516116	Heat Sink	1	
2	4516988	Relay	4	C

* NOT ILLUSTRATED

^ DIGITAL PHOTO AT END

RECOMMENDED STOCK PARTS



4516980
CIRCUIT BREAKER, CONTROL



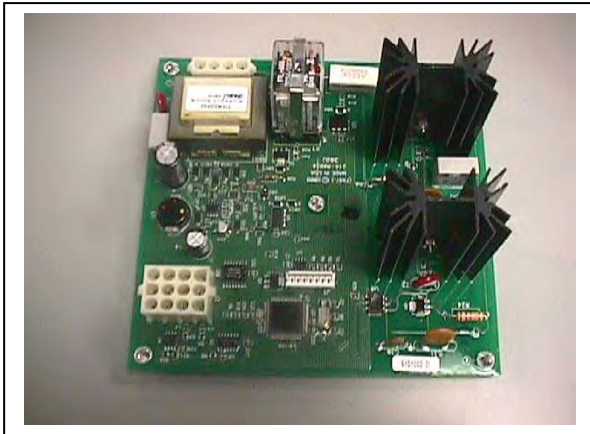
1859604
BUTTON (BLACK)



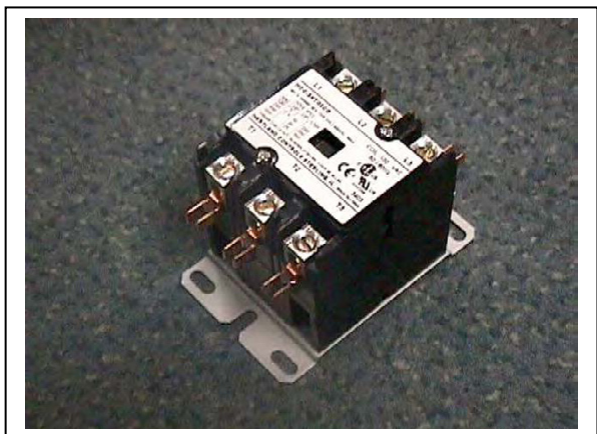
1859606
MTG LATCH/CONTACT BLOCK



4524292
WIPER SEAL



4516989
MOTOR SPEED CONTROL



1637001
MAIN CONTACTOR 40 AMPS



1866601
HI LIMIT MANUAL RESET (CE VERSION)



4516988
RELAY



1781301
HI LIMIT (AUTO RESET) NON CE



1856802
ARM PIVOT BLOCK (NEW VERSION)



4516979
CIRCUIT BREAKER, ELEC HEATER

GARLAND PARTS IDENTIFICATION

Revision History

REV. #	PAGE #	ITEM #	NOTE	DATE
			Parts List Book Released	Mar 21/05
1	16		Photo Deleted (1856801)	Mar 22/05
2	5	38	Part Number Replaced – Was 3081300	Nov 29/05
	9	22	Part Number Replaced – Was 4517023	
3	4		New Drawing	Jan 20/09
	5	8C	New Part Number Added	
		11C, 11D		
		17A	Part Number Changed - Was 1859601	
		17B	New Part Number	
		17C	Was Item Number 17B - Part Number Was 1859603	
		18	Part Number Changed - Was 1872400	
		19	Part Number Changed - Was 4517132	
		20B, 20C	New Part Number Added	
	28	Part Number Changed - Was 4517006		
	29	Part Number Changed - Was 1874201		
7	3	Part Number Changed - Was 1812401		
16,17		New Description And Part Number		
4	8		New Drawing	Feb 09/09
	9	11,17	Note Added	
5			Book Title Changed - Non-CE & CE Version Added	Mar 11/09
			Critical Column Added	
	7	3	Part Number Changed - Was 4525539	
6	4, 8, 10		New Drawing	Jul 29/09
	5	26A	Part number replaced - was 1856801 (Arm Pivot Block (old version)) 1856802 (Arm Pivot Block (new version))	
		26B	Part number replaced - was 1854901 (Cam Follower - NLA See Service Kit)	
		26C, 26D	New Part Number Added	
	6	39, 40, 41, 42, 50, 51		
	9	2	Part Number Changed - Was 4516096	
		7	Part Number Changed - Was 1858001	
		8,9	New Part Number Added	
	11	2	New Part Changed - Was 4516087	
		3	New Part Changed - Was 4516088	
		4A, 4B	Item number changed - (4A was 4) & (4B was 5)	
		5, 28, 30, 31, 32	New Part Number Added	
	19		Photo Removed - Was 4525539 Actuator	

NOTES

NOTES

