



**Master Series
Electric XPress Grill**

models **XE24, XE36**
(non-CE & CE versions)

PARTS LIST

Phone (US & Canada): 1 800 427 6668

Fax (US & Canada): 1 800 361 7745

www.Garland-Group.com

Quality Factory Replacement Parts for the World's Finest Foodservice Equipment Solutions

This parts list is updated regularly. Please find the most current revision
on our website @ www.Garland-Group.com



Master Series Electric XPress Grill

models **XE24, XE36**
(non-CE & CE versions)

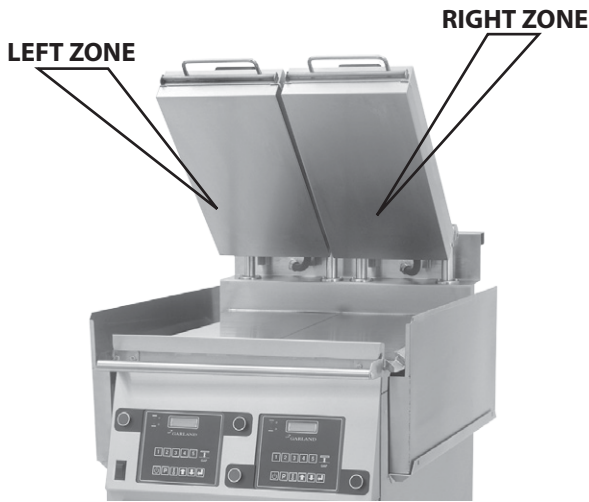
Table of Contents

Components & Assemblies	6
Actuator Components	12
Platen Components & Assemblies	14
Elements & Pans	18
Grill Bracket Components	20
Heat Sink Components	22
Accessories & Tools	23
List of Wire Harnesses & Their Locations	24
List of Wiring Diagrams	24
Critical & Recommended Stock Parts List	25
Related Bulletins	26
Revision History	26

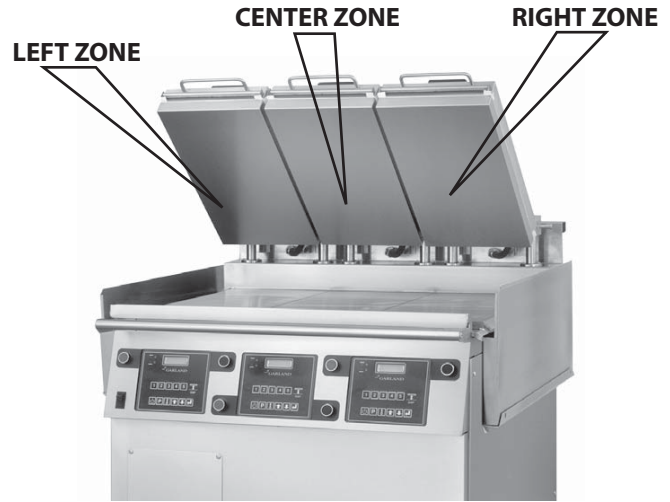
Cooking Zone Designation

The Xpress Grill is a cooking device with two or three independently controlled cooking areas called zones.

Each zone can be configured with an upper grill cooking surface (a platen) for double sided cooking.



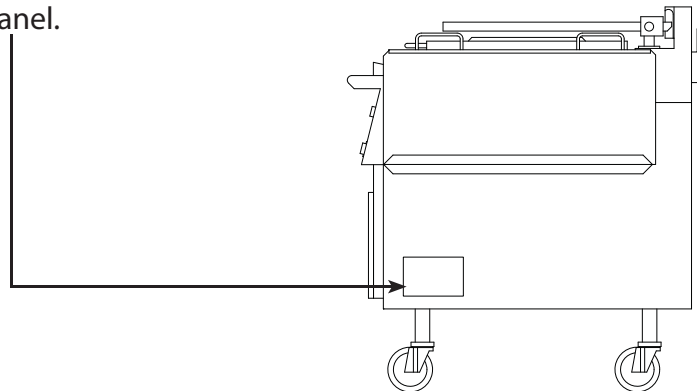
**24" Wide Xpress Grill
(Two Zones)**



**36" Wide Xpress Grill
(Three Zones)**

Rating Plate Location

The Rating Plate is affixed to the exterior of the Right Body Panel.

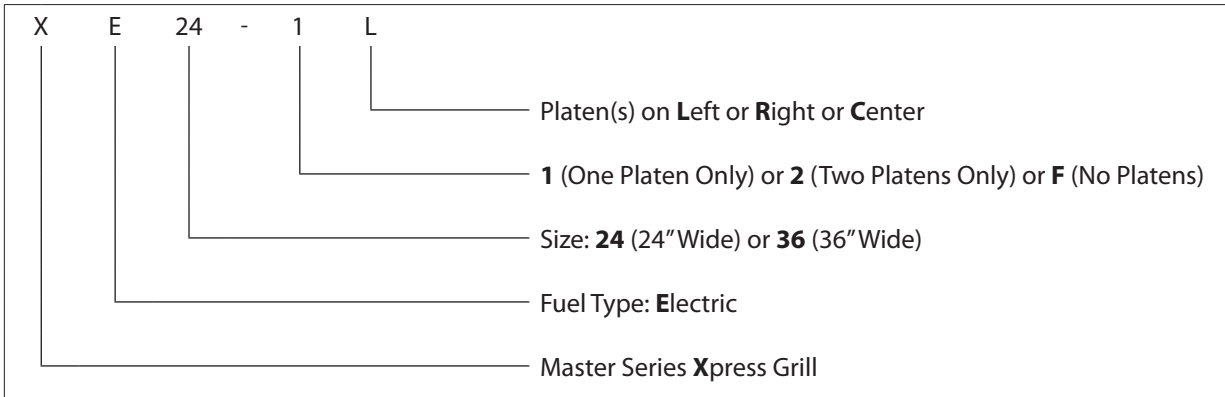


Model Code Interpretation

The model configuration code can be found on the unit's rating plate.
See "Rating Plate Location".

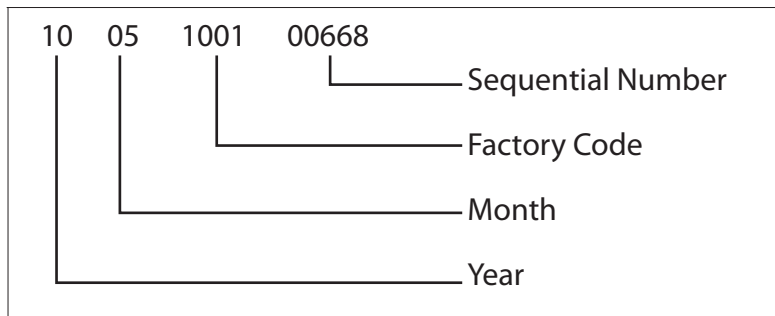
Electric Xpress Grill Standard Models:

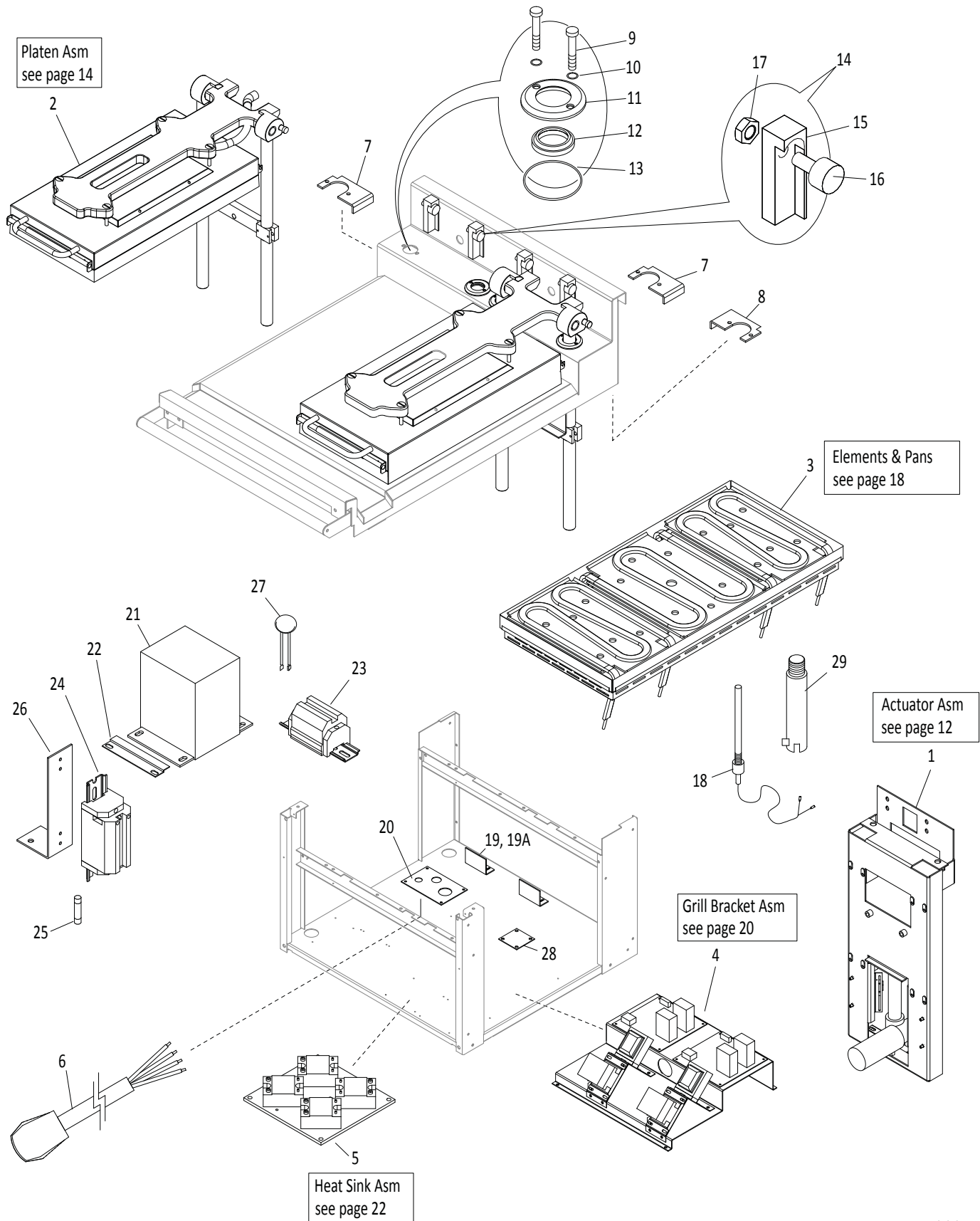
- XE24 XE24-F XE24-1L XE24-1R
- XE36 XE36-F XE36-2L XE36-2R XE36-1L XE36-1C XE36-1R



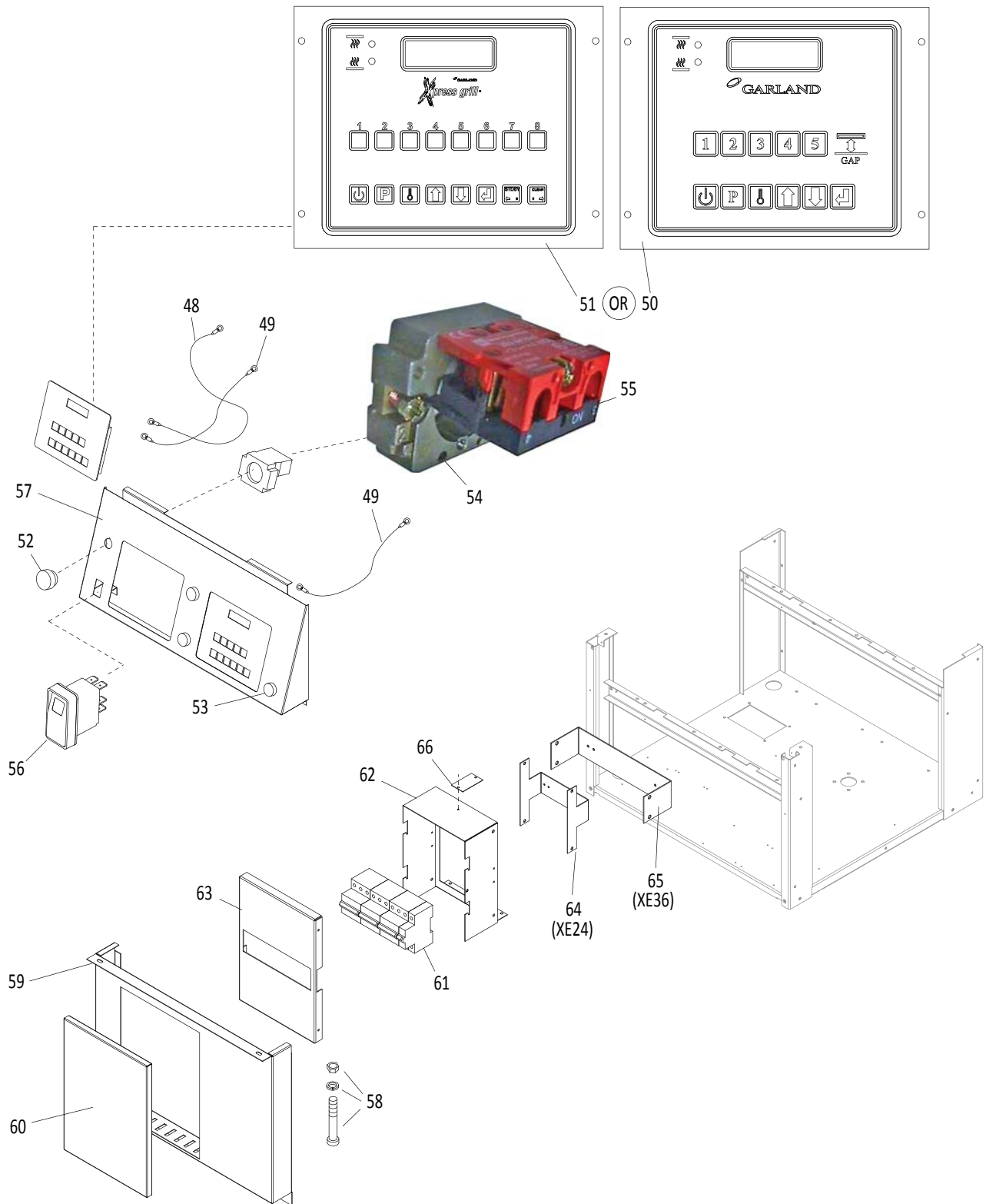
Serial# - Year/Month Information

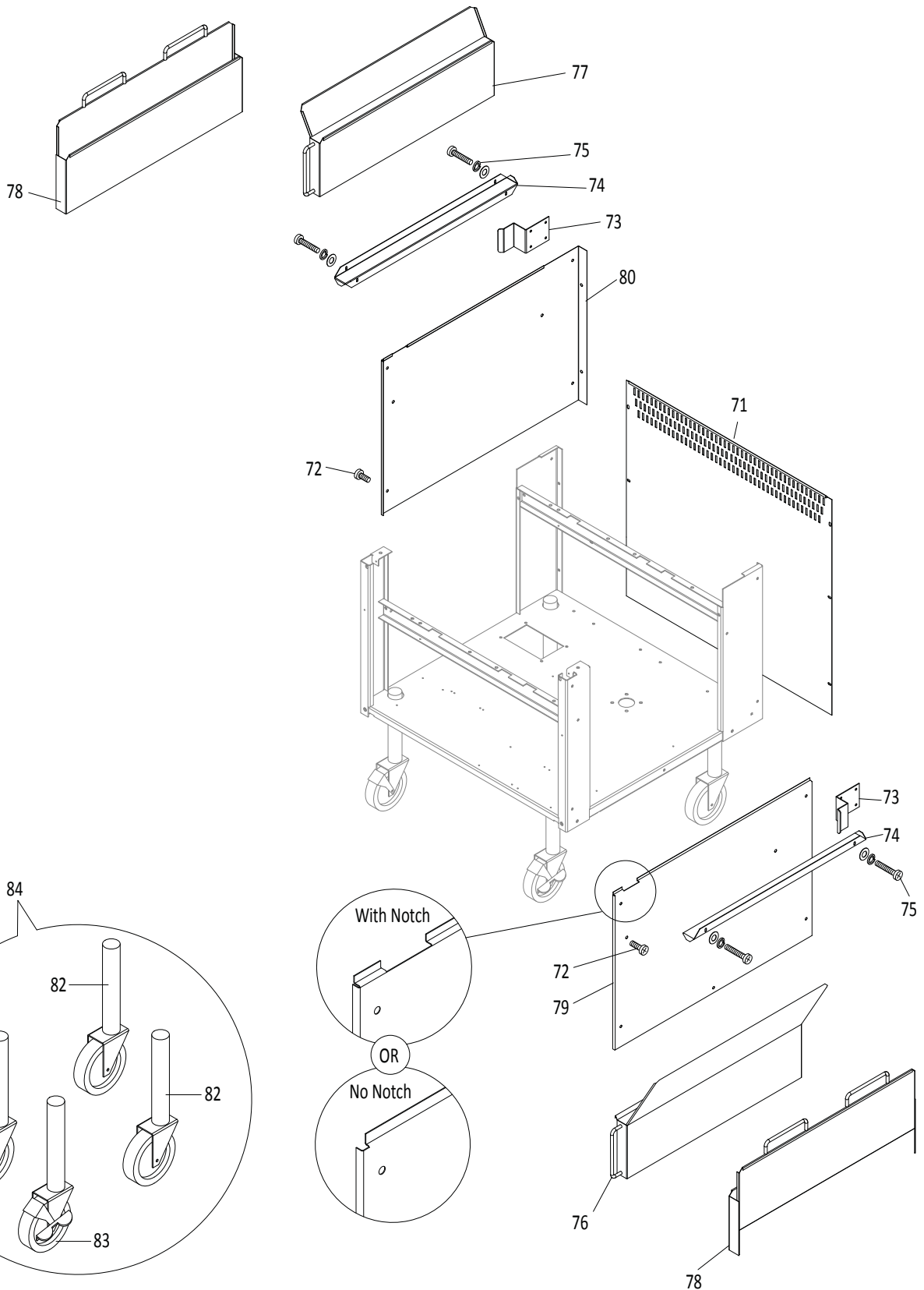
The serial number is **13 Digits long** and is stamped on the rating plate.
See "Rating Plate Location".





COMPONENTS & ASSEMBLIES (2 of 3)





GARLAND PARTS IDENTIFICATION
Master Series Electric Xpress Grill
models XE24, XE36 (non-CE & CE versions)

COMPONENTS & ASSEMBLIES

ITEM	PART #	DESCRIPTION	QTY		CRITICAL
			XE24	XE36	
1		Actuator Assembly (see page 12)	1 / Platen		
2		Platen Assembly (see page 14)	1 / Platen		
3		Elements & Pans (see page 18)	2	3	
4		Grill Bracket Assembly (see page 20)	1	1	
5		Heat Sink Assembly (see page 22)	2	3	
6	4528594	Plug & Cord Asm - 10.5FT, 32A Plug, 6mm Cord, Strain Relief, Dome Nut (CE)	1		
	4528595	Plug & Cord Asm - 10.5FT, 62A Plug, 10mm Cord, Strain Relief, Dome Nut, 10mm O-Ring (CE)		1	
7	4520408	Seal Cap Bracket (Left)	1 / Platen		
8	4520407	Seal Cap Bracket (Right)	1 / Platen		
9	8003437	8/32 x 1" Machine Screw	4 / Platen		
10	1874301	#8-32 O-Ring, Black	4 / Platen		
11	4516098	Seal Cap	2 / Platen		
12	4526315	SPLIT (2-Piece) Shaft Wiper, 1.50 O.D, Orange Dot	2 / Platen		C
13	4525256	O-Ring Seal Cap, Xpress	2 / Platen		
14	CK4520463	Arm Pivot Block Assembly	2 / Platen		
15	1856802	Arm Pivot Block	2 / Platen		
16	1854902	Cam Follower	2 / Platen		
17	1854903	Jam Nut	2 / Platen		
18	1859403	Grill Plate Thermocouple	2	3	C
19	4516977	Actuator Base Brace	1 / Platen		
19A	8004502	1/4" - 20 x 2-1/4" Shoulder Bolt	2 / Platen		
	8000203	1/4" Split Lock Washer	2 / Platen		
	8000304	1/4 x 3/4 Flat Washer, Stl, ZP	2 / Platen		
20	4529285	Power Cord Plate	1	1	
21	1864001	Main Transformer	1	1	C
22	1869301	Transformer Bracket	1	1	
23	4525397	Terminal Block - XE24, 208/220/240V	1		
	4517674	Terminal Block - XE36, 208/220/240V		1	
	4522051	Terminal Block (CE)	1	1	
24	4516981	Terminal Block - 120V	1	1	
25	4522739	Fuse - 5 Amp. 125VAC 5mmx20mm	2	3	C
26	4517025	Terminal Bracket XE24	1		
27	CK4528713	Surge Protector (Kit - 20ohm, 8A Thermistor) Note: Kit includes a Surge Protector, a Terminal, a Male Tab, and a Heat Shrink Tubing 1/8".	1	1	C
28	4517129	Gas Inlet Cover	2	2	
29	1859404	Grill Plate Bayonet Adapter	1	1	
48	1866101	Ground Wire (Green & Yellow)	1	1	
49	1866103	Strain Relief Wire - 12.5", Brown	2	2	

* NOT ILLUSTRATED

RECOMMENDED STOCK PARTS

GARLAND PARTS IDENTIFICATION
Master Series Electric Xpress Grill
models XE24, XE36 (non-CE & CE versions)

COMPONENTS & ASSEMBLIES

ITEM	PART #	DESCRIPTION	QTY		CRITICAL
			XE24	XE36	
50	4516983	Five (5)-Button Fast Controller with a Gap Key	2	3	
51	CK4529908	QUICK Menu Programmed Kit with Controller 4528917 Note: For information on the controller, please see Bulletin# GAR-12-12-AIC.	2	3	
	CK4529909	SONIC Menu Programmed Kit with Controller 4528917 Note: For information on the controller, please see Bulletin# GAR-12-12-AIC.	N/A	N/A	
	CK4531354	DQ Menu Programmed Kit with Controller 4528917 Note: For information on the controller, please see Bulletin# GAR-12-12-AIC.	2	3	
	CK4529910	GENERIC Menu Programmed Kit with Controller 4528917 Note: The Generic Kit is for any grill model other than Quick's, Sonic's or DQ's. Please see Bulletin# GAR-12-12-AIC.	2	3	
52	1859605	Push Button (Green)	2	3	C
53	1859604	Push Button (Black)	2	3	C
54	1859606	Contact Block	4	6	
55	1859607	Mounting Latch	4	6	
56	1872404	Power Switch, Red Note: Used UP TO 12-JAN-2010.	1	1	C
	4527625	Power Switch with Light	1	1	C
57	4516684	Upper Front Panel	1		
	4516108	Upper Front Panel		1	
58	8003219	#8 - 32 x 1/2" Phillip Head Machine Screw Stl	4	4	
	8001203	#8 - 32 Hex Nut, Stl	4	4	
	8000202	8 x 19/64 x 3/64 Split Lock Washer, Stl	4	4	
59	4516685	Lower Front Panel	1		
	4516109	Lower Front Panel		1	
60	4516686	Circuit Access Door	1		
	4516110	Circuit Access Door		1	
61	4517811	XE24 Circuit Breaker Assembly	1		C
	4517812	XE36 Circuit Breaker Assembly		1	C
62	4516687	Circuit Box	1		
	4516111	Circuit Box		1	
63	4516688	Circuit Cover	1		
	4516112	Circuit Cover		1	
64	4516689	Circuit Support	1		
65	4516113	Circuit Support		1	
66	4516114	Circuit Brace	1	1	
71	4516683	Back	1		
	4516107	Back		1	
72	8003128	#10-24 x 1/2 18-8 PH TRSHD Machine Screw			
73	4526931	Grease Bucket Clip	2	2	
74	4516976	Grease Bucket Support	2	2	
75	8000203	1/4 Split Lock Washer	4	4	
	8000338	7/32 x 1/2 Flat Water, SS	4	4	
	8003143	#10-24 x 1-1/4 18-8, MSCR-TH-PHIL	4	4	
76	4524822	Grease Bucket BA Right	1	1	
77	4524823	Grease Bucket BA Left	1	1	
78	4516308	Grease Bucket BA (Straight)	2	2	

* NOT ILLUSTRATED

RECOMMENDED STOCK PARTS

GARLAND PARTS IDENTIFICATION
Master Series Electric Xpress Grill
models XE24, XE36 (non-CE & CE versions)

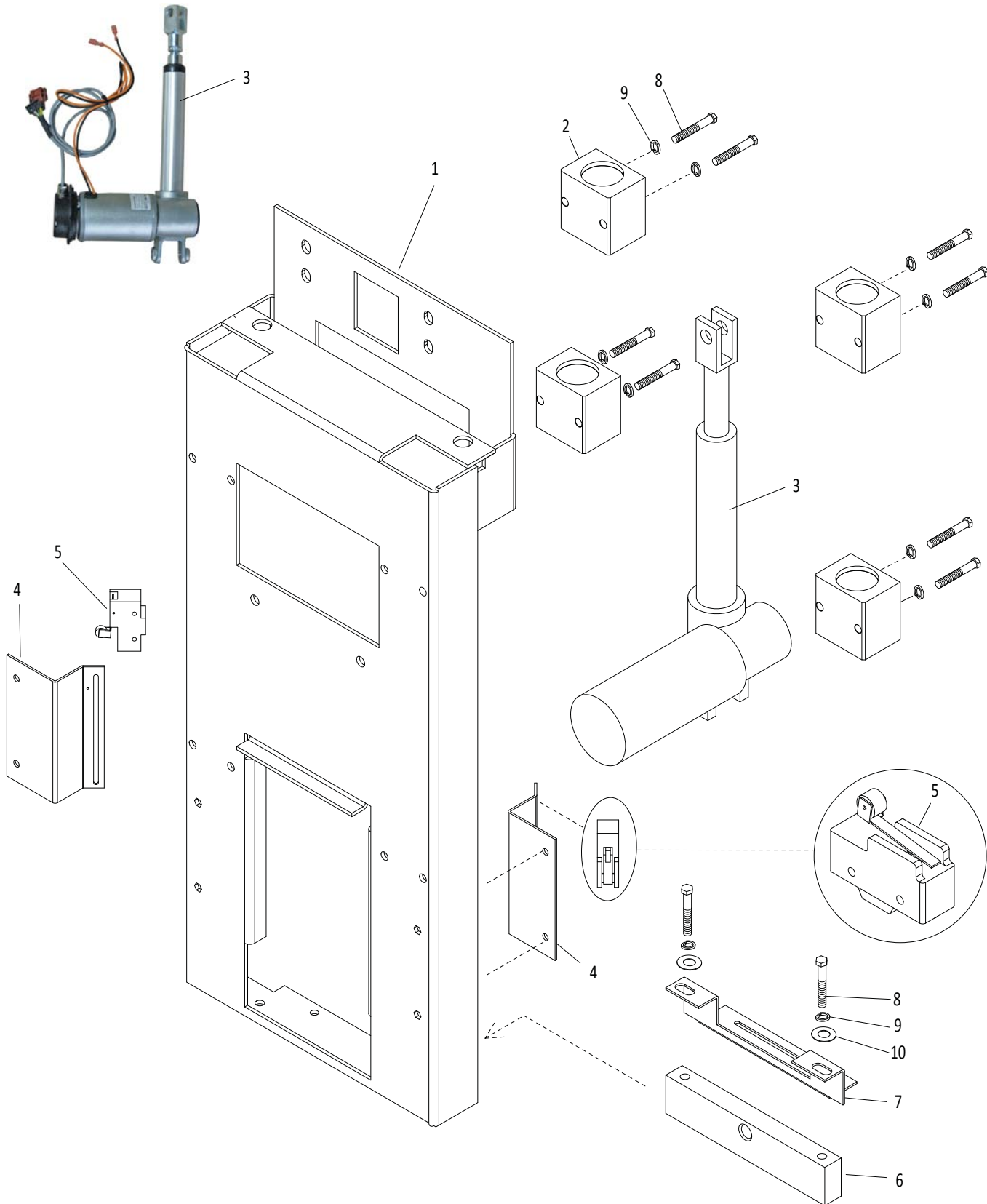
COMPONENTS & ASSEMBLIES

ITEM	PART #	DESCRIPTION	QTY		CRITICAL
			XE24	XE36	
79	4516105	Body Side, Right Note: Used UP TO 11-OCT-2010.	1	1	
	4528976	Body Side, Right (NO NOTCH on Top Edge) Note: Used FROM 12-OCT-2010 / Serial# 1010100100100.	1	1	
80	4516106	Body Side, Left Note: Used UP TO 11-OCT-2010.	1	1	
	4528977	Body Side, Left (NO NOTCH on Top Edge) Note: Used FROM 12-OCT-2010 / Serial# 1010100100100.	1	1	
81*	4516978	Caster - NO LOCK Note: Use part 1792003 (Caster, 5" DIA).	2	2	
82	4528847	Caster - 5" Swivel NO LOCK	2	2	
83	4517563	Caster - 5" Swivel WITH LOCK	2	2	
84	4520678	Casters Kit - Locking & Nonlocking Includes item 81 (x2) and item 83 (x2). Note: Replaced by Kit 4520677.	1	1	
	4520677	Casters Kit - Locking & Nonlocking Note: Replaced by Kit 4528864.	1	1	
	4528846	Swivel Casters Kit - Locking & Nonlocking Note: Includes item 82 (x2) and item 83 (x2). Note: For install instructions, refer to Instruction Sheet #4528846.	1	1	

* NOT ILLUSTRATED

RECOMMENDED STOCK PARTS

ACTUATOR COMPONENTS



GARLAND PARTS IDENTIFICATION
Master Series Electric Xpress Grill
models XE24, XE36 (non-CE & CE versions)

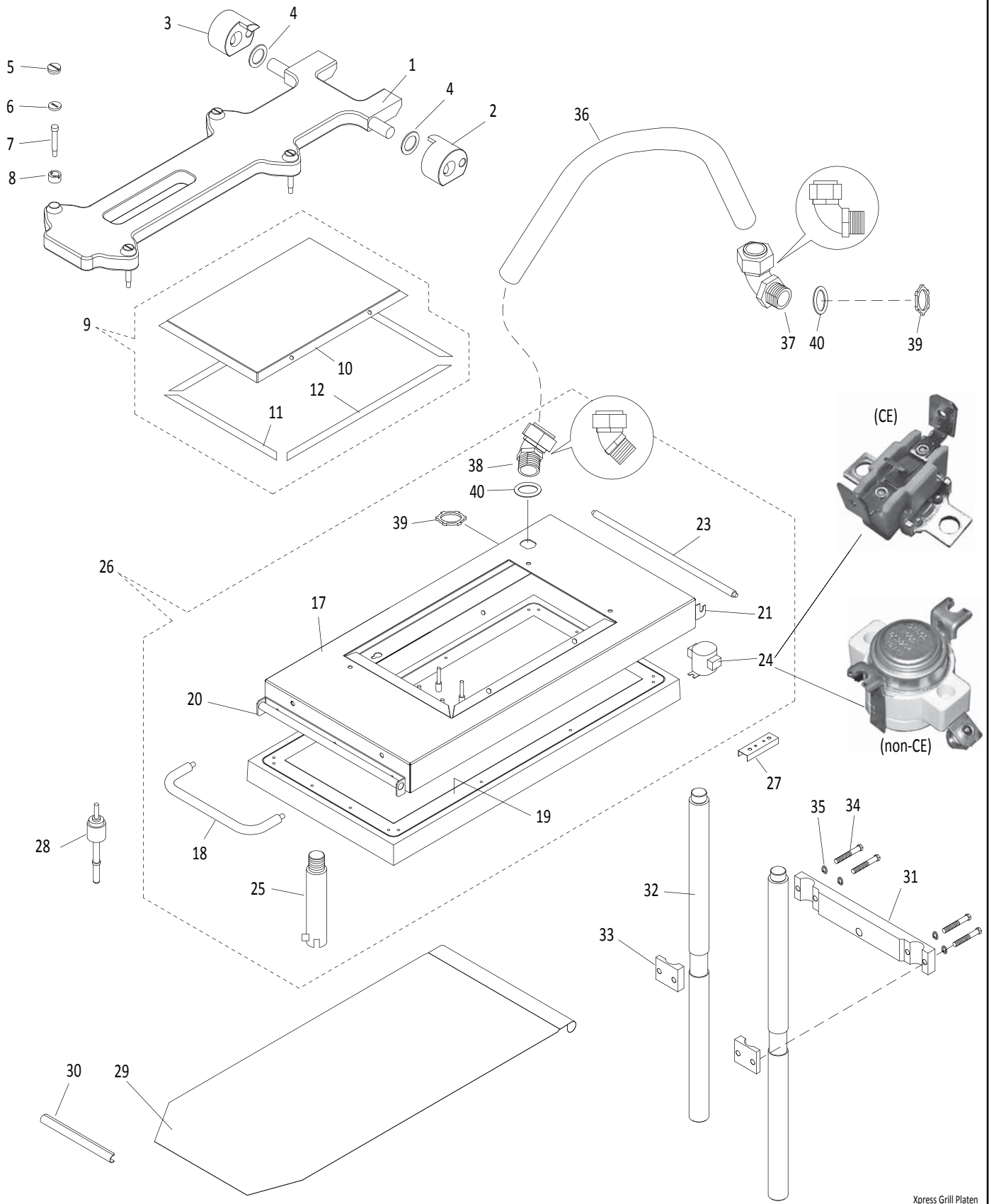
ACTUATOR COMPONENTS

ITEM	PART #	DESCRIPTION	QTY (Per Platen)	CRITICAL
1	4516080	Actuator Frame Weldment Assembly	1	
2	4518156	Pillow Block Assembly	4	
3	4530036	Actuator (Micronas Sensors, Dual Connectors)	1	C
4	1857601	Limit Switch Bracket	2	
5	1855601	Upper/Lower Platen Limit Switch	2	C
6	4518787	Actuator Mount Block (Painted)	1	
7	4516097	Actuator Brace Bracket	1	
8	8004502	1/4" - 20 x 2-1/4" Shoulder Bolt	10	
9	8000203	1/4" Split Lock Washer	10	
10	8000304	1/4 x 3/4 Flat Washer, Stl, ZP	2	

* NOT ILLUSTRATED



RECOMMENDED STOCK PARTS

PLATEN COMPONENTS & ASSEMBLIES



Xpress Grill Platen

GARLAND PARTS IDENTIFICATION
Master Series Electric Xpress Grill
models XE24, XE36 (non-CE & CE versions)
PLATEN COMPONENTS & ASSEMBLIES

ITEM	PART #	DESCRIPTION	QTY (Per Platen)	CRITICAL
1	4516085	Platen Arm	1	
2	4520422	Carriage Block Assembly, Right	1	
3	4520423	Carriage Block Assembly, Left	1	
4	1855903	Teflon Washer	2	
5	1859102	Platen Adjuster Cap	4	C
6	1859103	Platen Lock Nut	4	C
7	8005401	Platen Shoulder Bolt (for older units) 	4	C
	4527290	Platen Shoulder Bolt (currently used) 	4	C
<p>CAUTION: Platen Shoulder Bolts used for older and newer units are different. They are NOT interchangeable. When servicing, ensure to replace the existing Shoulder Bolts with the exact same type as the original.</p>				
8	1859101	Platen Adjuster Nut	4	C
9	4527090	Platen Lid / Silicone Gasket Assembly	1	
10	4516092	Platen Lid	1	
11	4527091-01	1/16" Silicone Gasket (Cut to 8-3/8", 45 deg ends)	2	
12	4527091-02	1/16" Silicone Gasket (Cut to 12-3/8", 45 deg ends)	2	
17 ⁺⁺	4516091	Platen Cowl	1	
18 ⁺⁺	1859501	Platen Handle	1	
19 [^]	1937701	Gasket Tape - Gore Tex, 3/4"(0.75") wide x 1/16"(0.065') thick	6FT	
20 ⁺⁺	4516093	Teflon Holder, Front	1	
21 ⁺⁺	4516094	Teflon Holder, Rear	1	
23 [^]	4517008	Teflon Bar, Rear	1	
24 [^]	1781301	Hi Limit Switch (non-CE)	1	C
	1866601	Hi Limit Switch (CE)	1	C
25 [^]	1859402	Platen Bayonet Adapter	1	
26	4519752	Platen Assembly Complete 208V	1	C
	4519753	Platen Assembly Complete 220V	1	C
	4519755	Platen Assembly Complete 240V	1	C
	4519756	Platen Assembly Complete 380V (CE)	1	C
	4519757	Platen Assembly Complete 400V (CE)	1	C
	4519758	Platen Assembly Complete 415V (CE)	1	C
27	1865801	Bracket - Hi Limit Switch	1	
28	1859401	Platen Thermocouple	1	C
29	1799303	Teflon Sheet	1	C

* NOT ILLUSTRATED

RECOMMENDED STOCK PARTS

⁺⁺ Item Listed For Reference Only. Not Sold Separately.

[^] Available For Purchase Separately.

GARLAND PARTS IDENTIFICATION
Master Series Electric Xpress Grill
models XE24, XE36 (non-CE & CE versions)

PLATEN COMPONENTS & ASSEMBLIES

ITEM	PART #	DESCRIPTION	QTY (Per Platen)	CRITICAL
30	1851301	Teflon Sheet Clip Note: Use 4527294	1	
	4527294	Teflon Sheet Clip	1	C
31	4516089	Cross Member	1	
32	4516084	Actuator Shaft	2	
33	4516090	Cross Member Bracket	2	
34	8003451	Mscr-HH-Grd5 1/4-20x1-1/4Stl 2	4	
35	8000203	Split Lock Washer 1/4 x 1/2 x 1/16	4	
36A	4517022	Conduit - 3/8" dia Note: This item is No Longer Available . New conduit has a 1/2" dia. Use Kit CK4526857 (item 36C) to replace all the 3/8" conduit and connectors with the 1/2" ones.	1	
36B	4526857	Conduit - 1/2" dia	1	
36C	CK4526857	Conduit Kit (convert from 3/8" to 1/2" dia) Note: Kit includes items # 36B, 37B, and 38B .	1	
37A	4517020	Connector - 3/8", 90 deg	1	
37B	4521709	Connector - 1/2", 90 deg	1	
38A	4517021	Connector - 3/8", 45 deg	1	
38B	1854504	Connector - 1/2", 45 deg	1	
39	4525424	Conduit Locknut - 1/2", Die Cast	2	
40	4525542	Seal for Conduit Elbow	2	

* NOT ILLUSTRATED

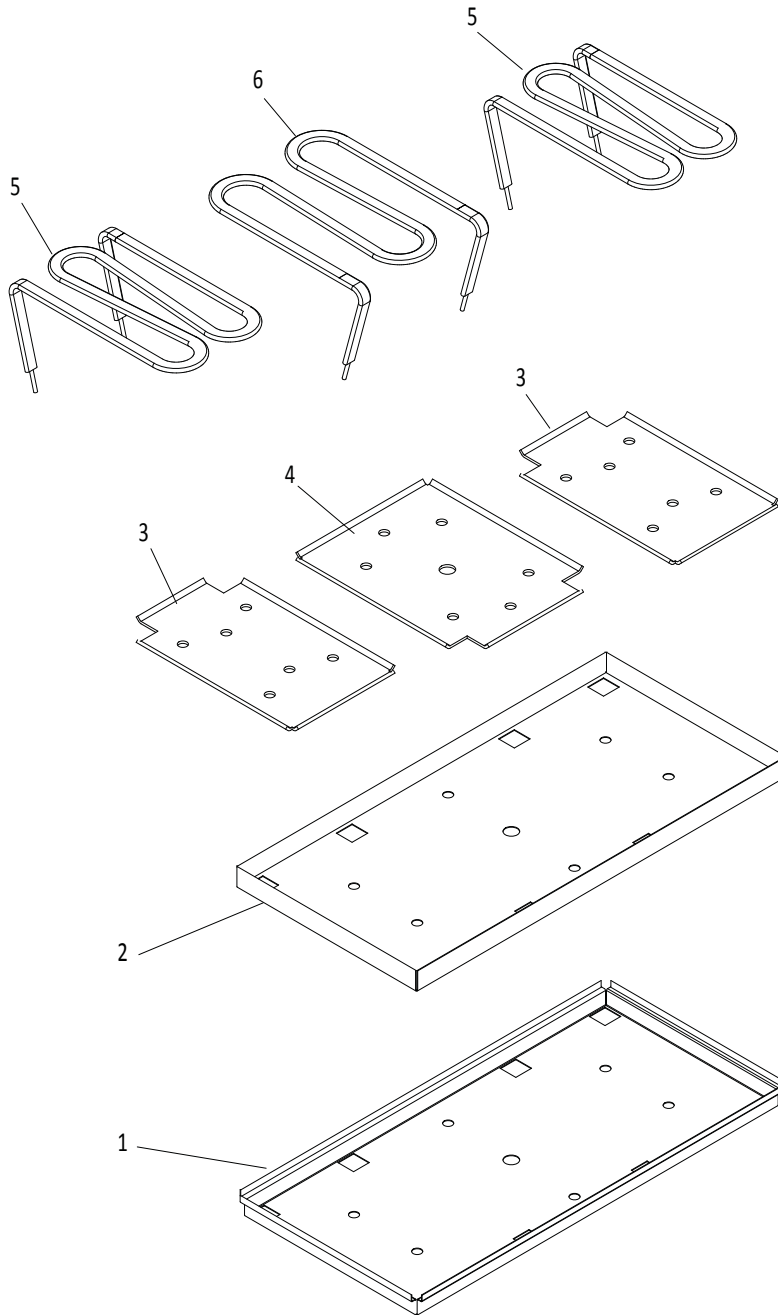
RECOMMENDED STOCK PARTS

++ Item Listed For Reference Only. Not Sold Separately.

^ Available For Purchase Separately.

NOTES

ELEMENTS & PANS



GARLAND PARTS IDENTIFICATION
Master Series Electric Xpress Grill
models XE24, XE36 (non-CE & CE versions)

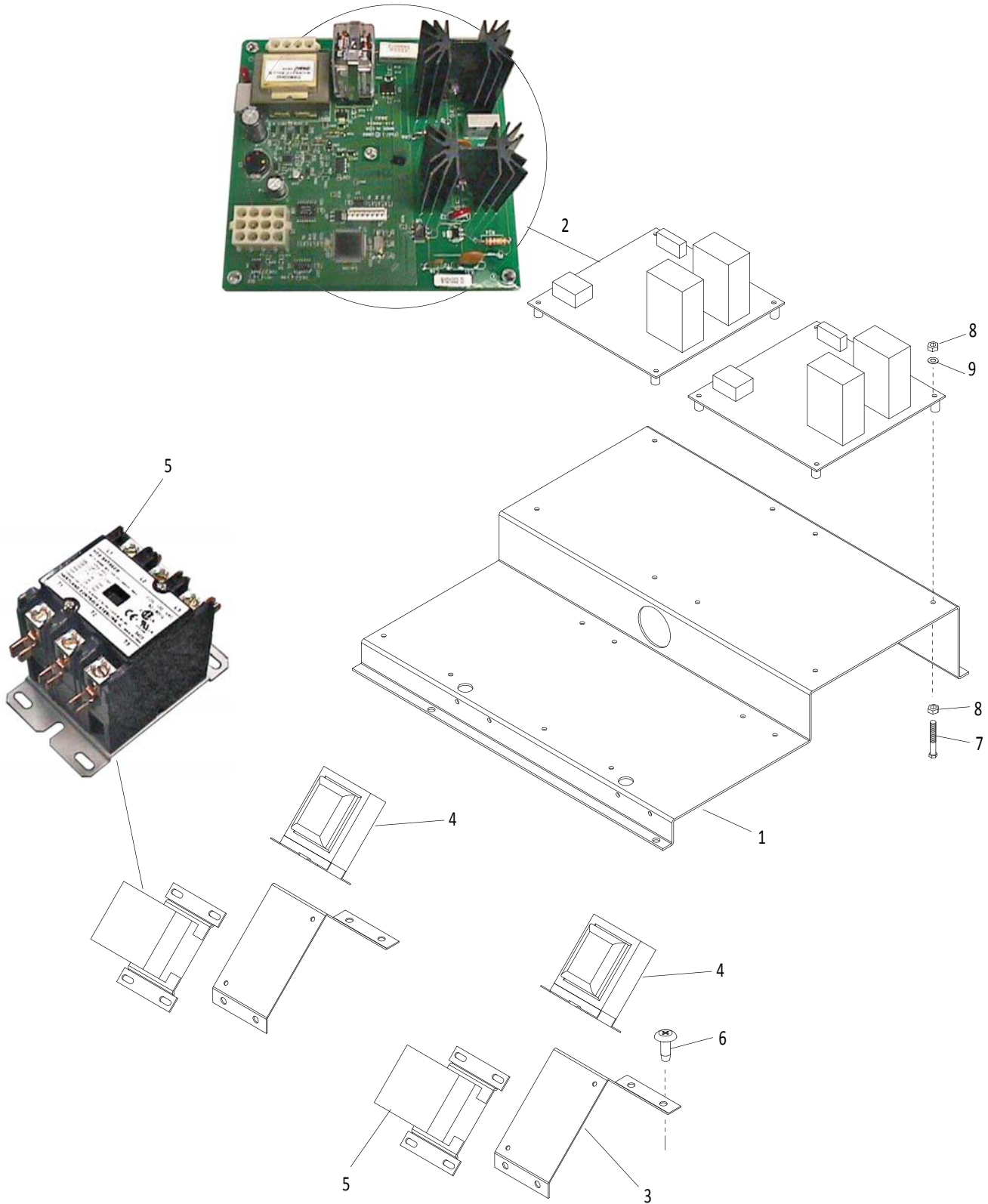
ELEMENTS & PANS

ITEM	PART #	DESCRIPTION	QTY (Per Zone)	CRITICAL
1	4516099	Element Pan - Lower	1	
2	4516100	Element Pan - Upper	1	
3	4516101	Element Clamp - Outer	2	
4	4516102	Element Clamp - Inner	1	
5	4516992	Outer Element 208V	2	C
	4516993	Outer Element 220V	2	C
	4516994	Outer Element 240V	2	C
	4517411	Outer Element 380V (CE)	2	C
	4516995	Outer Element 400V (CE)	2	C
	4517412	Outer Element 415V (CE)	2	C
6	4516996	Inner Element 208V	1	C
	4516997	Inner Element 220V	1	C
	4516998	Inner Element 240V	1	C
	4517413	Inner Element 380V (CE)	1	C
	4516999	Inner Element 400V (CE)	1	C
	4517414	Inner Element 415V (CE)	1	C

* NOT ILLUSTRATED

RECOMMENDED STOCK PARTS

GRILL BRACKET COMPONENTS



GARLAND PARTS IDENTIFICATION
Master Series Electric Xpress Grill
models XE24, XE36 (non-CE & CE versions)

GRILL BRACKET COMPONENTS

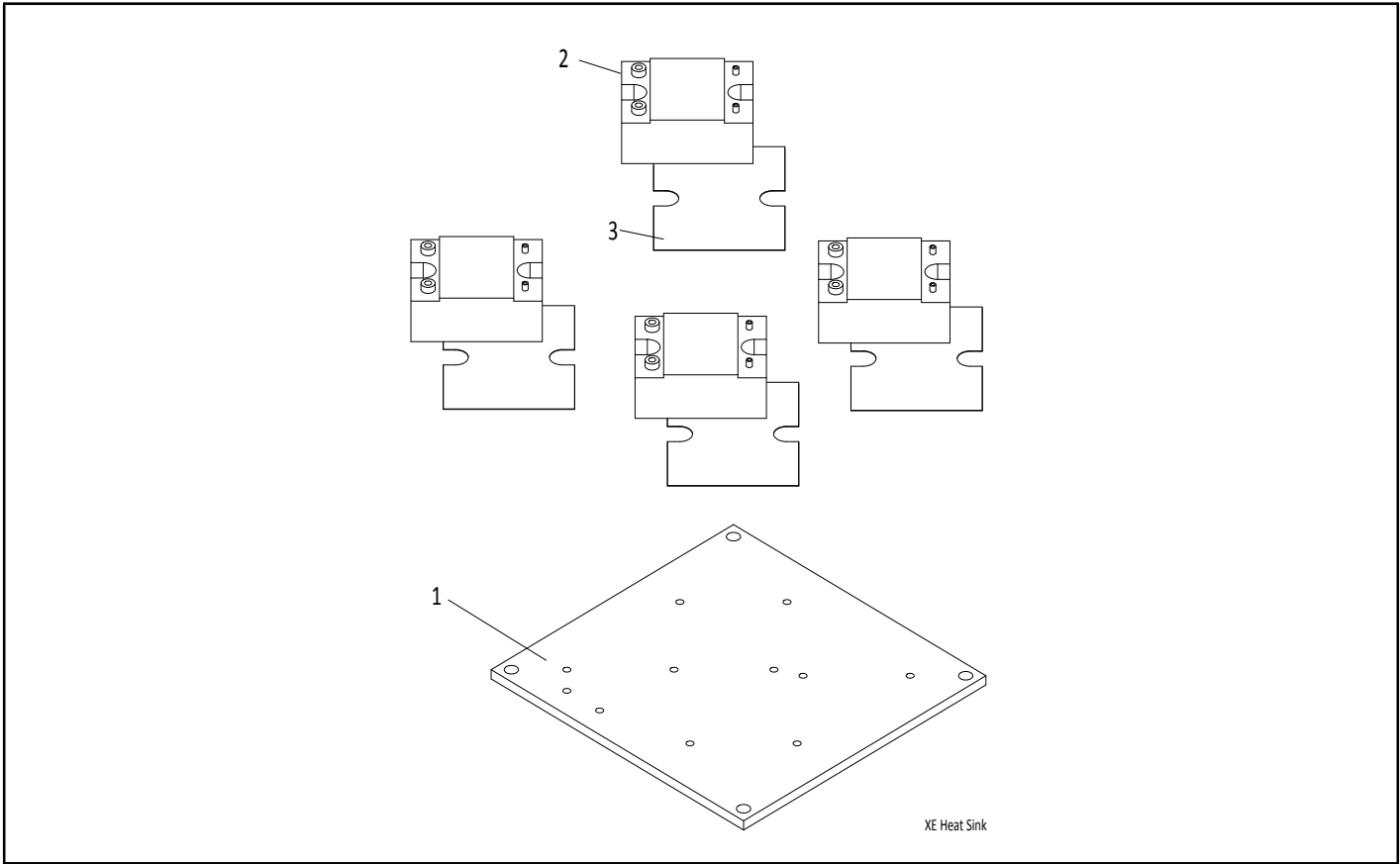
ITEM	PART #	DESCRIPTION	QTY		CRITICAL
			XE24	XE36	
1	4516682	Component Mounting Bracket for XE24 Model	1		
	4516078	Component Mounting Bracket for XE36 Model		1	
2	4516989	Motor Speed Control	2	3	C
3	4516079	Contacto Bracket	2	3	
4	G03559-1	24 Volt Transformer	2	3	C
5	1637001	Contacto	2	3	C
6	8002107	#10-32 x 1/2" SMSCR-TH-STL-PHIL-B	6	9	
7	8003204	#6-32 X 1/2" MSCR-PH-PHIL-STL-ZP	8	12	
8	8001502	#6-32 Nut with Lock Washer, KEP	16	24	
9	8000202	8 x 19/64 x 3/64 Washer	8	12	
10*	2654900	Rubber Edging	2 ft	2 ft	

* NOT ILLUSTRATED

RECOMMENDED STOCK PARTS

GARLAND PARTS IDENTIFICATION
Master Series Electric Xpress Grill
models XE24, XE36 (non-CE & CE versions)

HEAT SINK COMPONENTS



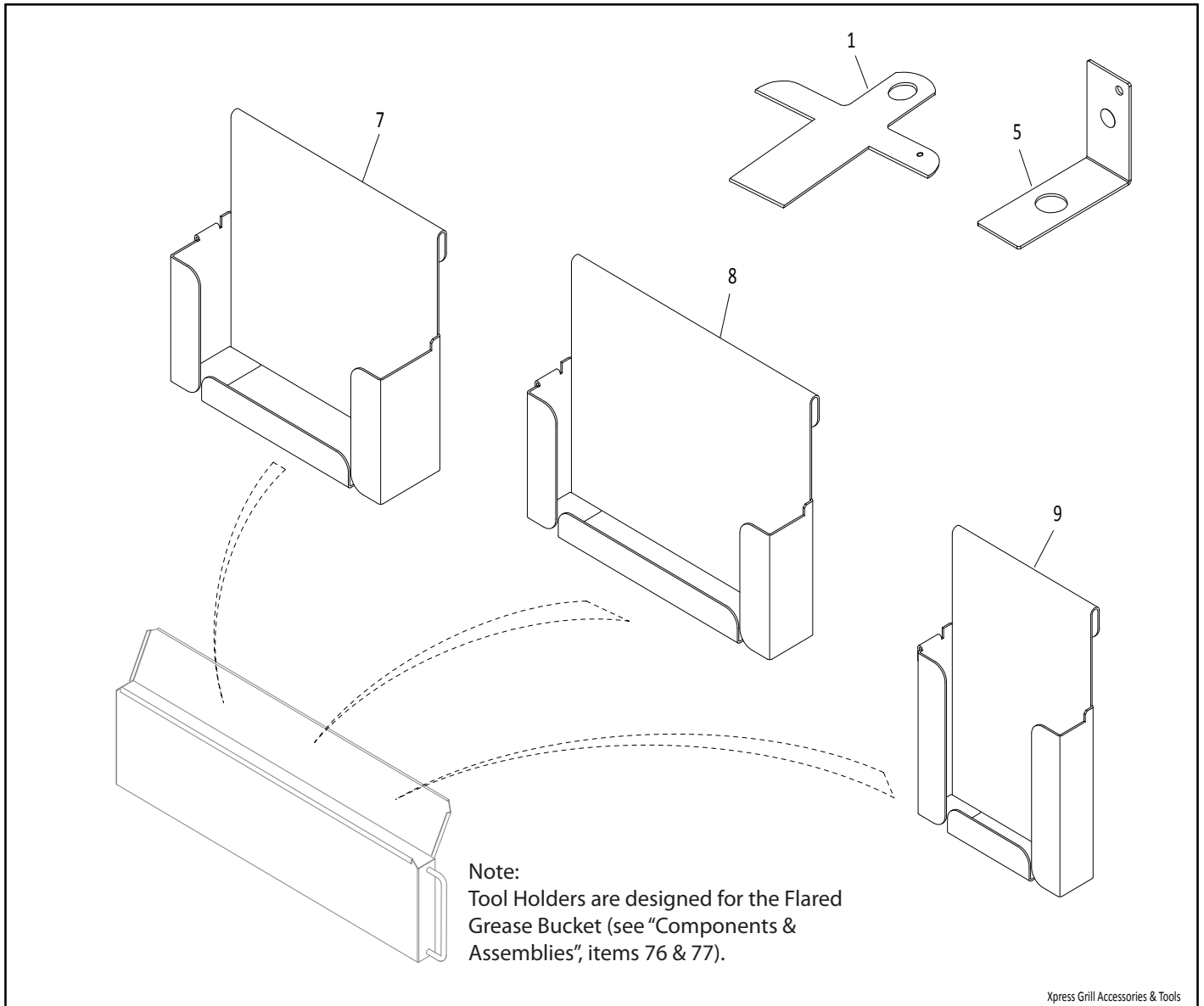
ITEM	PART #	DESCRIPTION	QTY (Per Zone)	CRITICAL
1	4516116	Heat Sink	1	
2	4524082	Kit, Relay Note: Kit includes a relay and a thermal interface (item 3).	4	C
3	1811903	Thermal Interface	4	C
4*	8002107	#10-32 x 1/2" SMSCR-TH-STL-PHIL-B	8	

* NOT ILLUSTRATED

RECOMMENDED STOCK PARTS

GARLAND PARTS IDENTIFICATION
Master Series Electric Xpress Grill
models XE24, XE36 (non-CE & CE versions)

ACCESSORIES & TOOLS



ITEM	PART #	DESCRIPTION	CRITICAL
1	4523323	Platen Adjuster Tool	C
5	1838701	Platen Leveling Tool	C
7	4526114	Tool Holder for Scraper	
8	4526115	Tool Holder for Wiper	
9	4526113	Tool Holder for Spatula	

* NOT ILLUSTRATED
RECOMMENDED STOCK PARTS

GARLAND PARTS IDENTIFICATION
Master Series Electric Xpress Grill
models XE24, XE36 (non-CE & CE versions)

LIST OF WIRE HARNESSES & THEIR LOCATIONS

PART#	DESCRIPTION	LOCATION	QTY	
			XE24	XE36
1859816	Heater Harness	Heating Elements to Heater Harness 1859856	2	3
1859856	Heater Harness	Contactors & SSR to Heater Harness 1859816	2	3
1859852	XMFR Harness	Main Power Circuit Breaker, Main Power Switch, 240/120 volt Transformer, 120 volt Terminal Block, Main Terminal block	1	1
1859853	Control Harness	Low Voltage side of SSR's, 24 volt out-put on 120/24 volt transformer, encoder, upper/lower Limit Switches, Main Control, Motor Speed Control, Green and Black Push Buttons	2	3
4528552	Platen Harness (CE ONLY)	P1 Connector to the Platen Elements NOTE: Must replace this item together with Fibreglass Sleeving 0007500FS.	2	3
1859855	Platen Harness (non-CE ONLY)		2	3
0007500FS	Fibreglass Sleeving (2 feet long each)	NOTE: Must Replace this item together with Platen Harness 1859855 (see item above).	2	3
1859860	Switch Harness	Green and Black Button Harness (one per zone)	2	3
1859829	Contactors Jumper Harness	Straight leads from terminal Block to Circuit Breakers	1	1
1859810	Power Switch Harness	Main Power Switch to Connector S3.	1	1
1859861	XE24 120V Harness	Motor Speed Control, 120 volt side of 120/24 volts transformer, Power to Actuator, 120 volts terminal block	1	
1859850	XE36 120V Harness			1
1859862	XE24 CB Contactors Harness	Circuit Breakers, Contactors, high Voltage side of SSR's for Platens, 120 volt terminal block.	1	
1859851	XE36 CB Contactors Harness			1
1859820	18" Jumper Wire	Grill Plate Heaters Jumper	6	9

LIST OF WIRING DIAGRAMS

(For Reference Only. Please contact Technical Service for assistance.)

PART#	DESCRIPTION
4520363	XE24 - 208 / 220 / 240 VOLT
4520362	XE36 - 208 / 220 / 240 VOLT
4520369	XE24 - 380 / 400 / 415 VOLT (CE)
4520368	XE36 - 380 / 400 / 415 VOLT (CE)

GARLAND PARTS IDENTIFICATION

Master Series Electric Xpress Grill
models XE24, XE36 (non-CE & CE versions)

CRITICAL & RECOMMENDED STOCK PARTS LIST

PART #	DESCRIPTION	QTY	
1855601	Upper/Lower Platen Limit Switch	1 / Platen	
1859401	Platen Thermocouple	1 / Platen	
4530036	Linear Actuator	1 / Platen	
4527294	Teflon Sheet Clip	1 / Platen	
1799303	Teflon Sheet	1 / Platen	
4526315	SPLIT (2-Piece) Shaft Wiper, 1.50 O.D, Orange Dot	2 / Platen	
4527091-01	1/16" Silicone Gasket (Cut to 8-3/8", 45 deg ends)	2 / Platen	
4527091-02	1/16" Silicone Gasket (Cut to 12-3/8", 45 deg ends)	2 / Platen	
1859101	Platen Adjuster Nut	4 / Platen	
1859102	Platen Adjuster Cap	4 / Platen	
1859103	Platen Lock Nut	4 / Platen	
4527290	Platen Shoulder Bolt (currently used)	4 / Platen	
8005401	Platen Shoulder Bolt (for older units)	4 / Platen	
1637001	Contactor	1 / Zone	
1859604	Push Button (Black)	1 / Zone	
1859605	Push Button (Green)	1 / Zone	
4516989	Motor Speed Control	1 / Zone	
1859403	Grill Plate Thermocouple	1 / Zone	
4522739	Fuse - 5 Amp. 125VAC 5mmx20mm	1 / Zone	
CK4528713	Surge Protector Kit (20 ohm 8A Thermistor)	1 / Zone	
G03559-1	24 Volt Transformer	1 / Zone	
1811903	Thermal Interface for Relay	4 / Zone	
4524082	Relay	4 / Zone	
1864001	Main Transformer	1 / Unit	
1872404	Power Switch, Red (Used UP TO 12-JAN-2010)	1 / Unit	
4527625	Power Switch with Light (Used FROM 13-JAN-2010)	1 / Unit	
4517811	XE24 Circuit Breaker Assembly	1 / Unit	
4517812	XE36 Circuit Breaker Assembly	1 / Unit	
1838701	Platen Leveling Tool		
4523323	Platen Adjuster Tool		
NON-CE models ONLY	1781301	Hi Limit - Auto Reset (non-CE)	1 / Platen
	4519752	Platen Assembly Complete 208V (non-CE)	1 / Platen
	4519753	Platen Assembly Complete 220V (non-CE)	1 / Platen
	4519755	Platen Assembly Complete 240V (non-CE)	1 / Platen
	4516996	Inner Element 208V (non-CE)	1 / Zone
	4516997	Inner Element 220V (non-CE)	1 / Zone
	4516998	Inner Element 240V (non-CE)	1 / Zone
	4516992	Outer Element 208V (non-CE)	2 / Zone
	4516993	Outer Element 220V (non-CE)	2 / Zone
	4516994	Outer Element 240V (non-CE)	2 / Zone
	CE models ONLY	1866601	Hi Limit (CE)
4519756		Platen Assembly Complete 308V (CE)	1 / Platen
4519757		Platen Assembly Complete 400V (CE)	1 / Platen
4519758		Platen Assembly Complete 415V (CE)	1 / Platen
4516999		Inner Element 400V (CE)	1 / Zone
4517413		Inner Element 380V (CE)	1 / Zone
4517414		Inner Element 415V (CE)	1 / Zone
4516995		Outer Element 400V (CE)	2 / Zone
4517411		Outer Element 380V (CE)	2 / Zone
4517412		Outer Element 415V (CE)	2 / Zone

GARLAND PARTS IDENTIFICATION
Master Series Electric Xpress Grill
models XE24, XE36 (non-CE & CE versions)

RELATED BULLETINS

BULLETIN #	SUBJECT	DATE
GAR-12-12-AIC	Garland Controller Kits for Xpress Grills (supersedes GAR-12-11-AIC)	Oct 4, 2012

REVISION HISTORY

REV	PAGE	ITEM#	NOTES	DATE	
0	NOTE: This new publication combined and replaced the following Parts Lists: <ul style="list-style-type: none"> • for XE24 (CE & non-CE) — G_EHD_PL_XPRESS_XE24 (Rev 8) • for XE36 (CE & non-CE) — G_EHD_PL_XPRESS_XE36 (Rev 6) 			DEC 15/11	
	4 - 5		Added introductory info.		
	6-13				Removed Grill Plate Welded Assembly Part#s - 4516718, 4516070.
		6			Added Power Cord & Plug Asm - 4528594, 4528595.
		25			Added 5A Fuse Part# 4522739.
		27			Added CK4528713 - Surge Protector Kit
		14			Use CK4520463 for Pivot Block Asm instead of 4520463.
		51			New controller kits and related bulletin.
		56			New power switch 4527625.
		61			New circuit breakers 4517811-1 and 4517812-1.
		79-80			New body side panels 4528976, 4528977.
		81-84			New caster and cater kit.
	20		New standardized power cord plate 4529285.		
	73		New grease bucket clips 4526931.		
	12-13	8-10			Revised fasteners part#s/info.
	14-17	7			New shoulder bolt 4527290.
					Removed parts 1858501 Pivot Stop Knob and 1858502 Pivot Stop Pin. Parts are not used.
		36-40			New conduit kit and components info (changed from 3/8" to 1/2").
		34-35			Revised fasteners part#s/info.
		30			New teflon clip 4527294
	20-21	4			24V Transformer use part# G03559-1, instead of 1269800.
		6-10			Added fasteners part#s/info.
		1			XE36 Bracket - use part# 4516078 instead of 4516682.
22	3-4		Added thermal interface 1811903 and fastener.		
23	3-4		Added 4522581, 4525560.		
24			Added list of wiring diagrams.		
			Added Heater Harnesses 1859816, 1859856 and location for jumper wire 1859820.		
23			Removed Teflon Tool Asm (No Longer Available) (Tool Asm 4525560 which incl. Tool 4525561 & Gasket 4522581).		
26			Added New Bulletin info.		
1	10	51		New DQ Menu programmed controller kit CK4531354.	
	13	3		New actuator 4530036 replaced 4525541.	
	22	2		Parts use relay kit 4524082. 12-11-AIC	
	23	6		Removed Grill Wiper 1868201. No longer available.	
	26			New bulletin - menu programmed controller kits, 12-12-AIC	
	25			Revised critical parts list	

 **Garland**[®]

 **Manitowoc**