



MASTER SERIES
XE24 XPRESS GRILL (Electric)
NON-CE & CE VERSION

PARTS LIST

Toll Free Phone, (US & Canada): (800) 427-6668

Toll Free Fax, (US & Canada): (800) 361-7745

<http://www.garland-group.com>



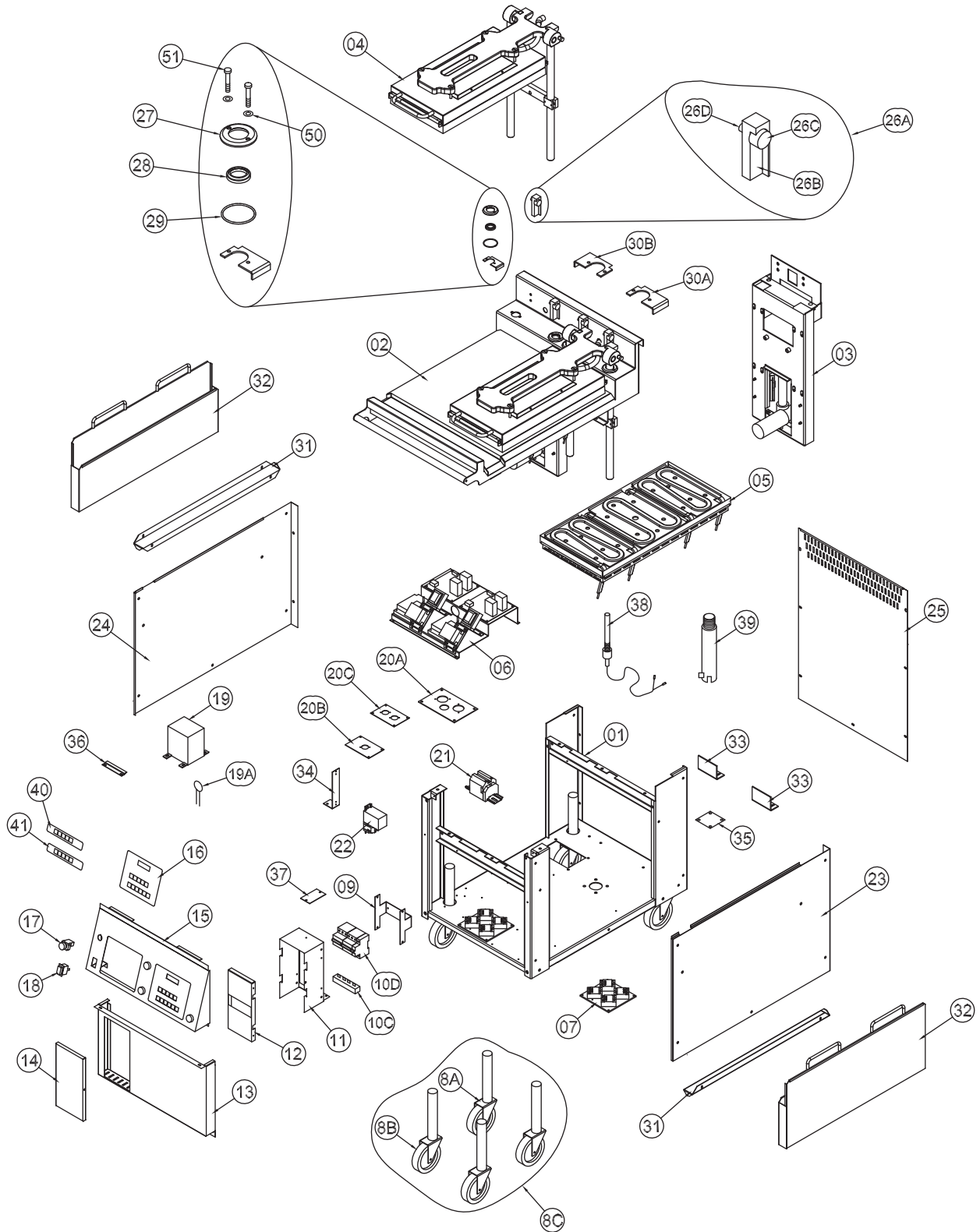
MASTER SERIES

XE24 XPRESS GRILL (Electric)

NON-CE & CE VERSION

Contents:

XPress Grill Complete Exploded View - Model: XE24.....	Page 4
Actuator Assembly	Page 8
Platen Assembly.....	Page 10
Element Pan Assembly.....	Page 12
Component Bracket Assembly	Page 14
Heat Sink Assembly.....	Page 16
Digital Photos	Page 18
Revision History	Page 21



GARLAND PARTS IDENTIFICATION
XPress Grill Complete Exploded View - Model: XE24
Non-CE & CE Version

ITEM	PART #	DESCRIPTION	QUANTITY	CRITICAL
1	4516708	Body Base Weld Assembly	1	
2	4516718	Plate Wa	1	
3	Page 8	Actuator Assembly	2	
4	Page 10	Platen Assembly	2	
5	Page 12	Element Pan Assembly	2	
6	Page 14	Component Bracket Assembly	1	
7	Page 16	Heat Sink Assembly	2	
8A	4516978	Caster, Nonlocking	2	
8B	4517563	Caster, Locking	2	
8C	4520678	Caster Kit	1	
9	4516689	Circuit Support	1	
10A^	4516980	Circuit Breaker, 1 Pole	1	C
10B^	4516979	Circuit Breaker, 3 Pole 32 Amp, Elec Heater	2	C
10C	4517808	Bus Bar	1	C
10D	4517811	Circuit Breaker Assembly	1	C
11	4516687	Circuit Box	1	
12	4516688	Circuit Cover	1	
13	4516685	Front Panel Lower	1	
14	4516686	Circuit Door	1	
15	4516684	Front Panel Upper	1	
16	4516983	Control (5 Button W/Gap Key)	2	C
17A^	1859604	Push Button Black	2	
17B	1859605	Push Button Green	2	
17C^	1859606	Contact Block	4	C
18	1872404	Power Switch	1	C
19	1864001	Transformer	1	C
19A	4518382	Surge Suppressor Required For 380/400/415 Volts Only	1	
20A	1868901	Power Cord Plate	1	
20B	1868904	Power Cord Plate - CE Version	1	
20C	4526048	Strain Relief Adapter Plate - CE Version	1	
21	4516982	Terminal Block, 10Mm	1	C
22	4516981	Terminal Block, 120V	1	C
23	4516105	Body Side, Right	1	
24	4516106	Body Side, Left	1	
25	4516683	Back	1	
26A	4520463	Arm Pivot Block Assembly	2 per zone	
26B	1856802	Arm Pivot Block	2 per zone	
26C	1854902	Cam Follower	2 per zone	
26D	1854903	Jam Nut	2 per zone	
27	4516098	Seal Cap	4	
28^	4524292	Wiper Seal	4	C
29	4524256	O-Ring	4	C
30A	4520408	Seal Cap Bracket Lt	2	
30B*	4520407	Seal Cap Bracket Rt	2	
31	4516976	Grease Bucket Support	2	
32	4516308	Grease Bucket Wa	2	
33	4516977	Actuator Base Brace	2	
34	4517025	Terminal Bracket	1	
35	4517129	Gas Inlet Cover	1	
36	1869301	Transformer Bracket	1	
37	4516114	Circuit Brace	1	

* NOT ILLUSTRATED

^ DIGITAL PHOTO AT THE END

RECOMMENDED STOCK PARTS

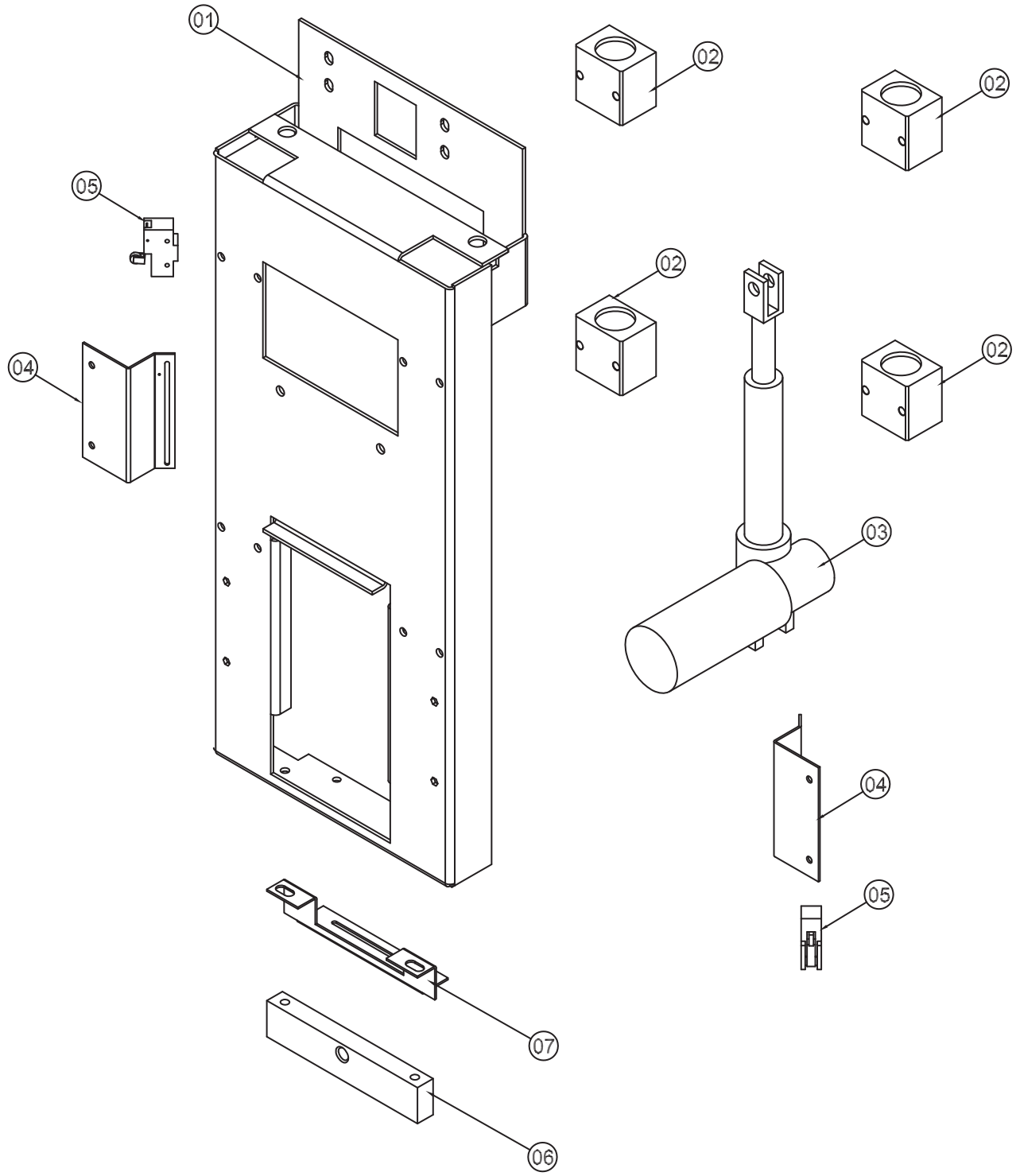
GARLAND PARTS IDENTIFICATION
XPress Grill Complete Exploded View - Model: XE24
Non-CE & CE Version

ITEM	PART #	DESCRIPTION	QUANTITY	CRITICAL
38	1859403	<i>Grill Thermocouple</i>	1	C
39	1859404	Grill Plate/Platen Bayonet Adapter	1	
40	4524978	Top Menu Strip Standard (Menu 1 -8)	1	
	4524683	Upper Menu Strip (Special for Chiles)	1	
	4526095	Top Menu Strip - Sonic	1	
41	4522360	Bottom System Icon Menu Strip (Std & JIB)	1	
50	1874301	#8-32 O-Ring	4 per zone	
51	8003437	MSCR - HH 8/32 x 1 Stl	4 per zone	

* NOT ILLUSTRATED

^ DIGITAL PHOTO AT THE END

RECOMMENDED STOCK PARTS



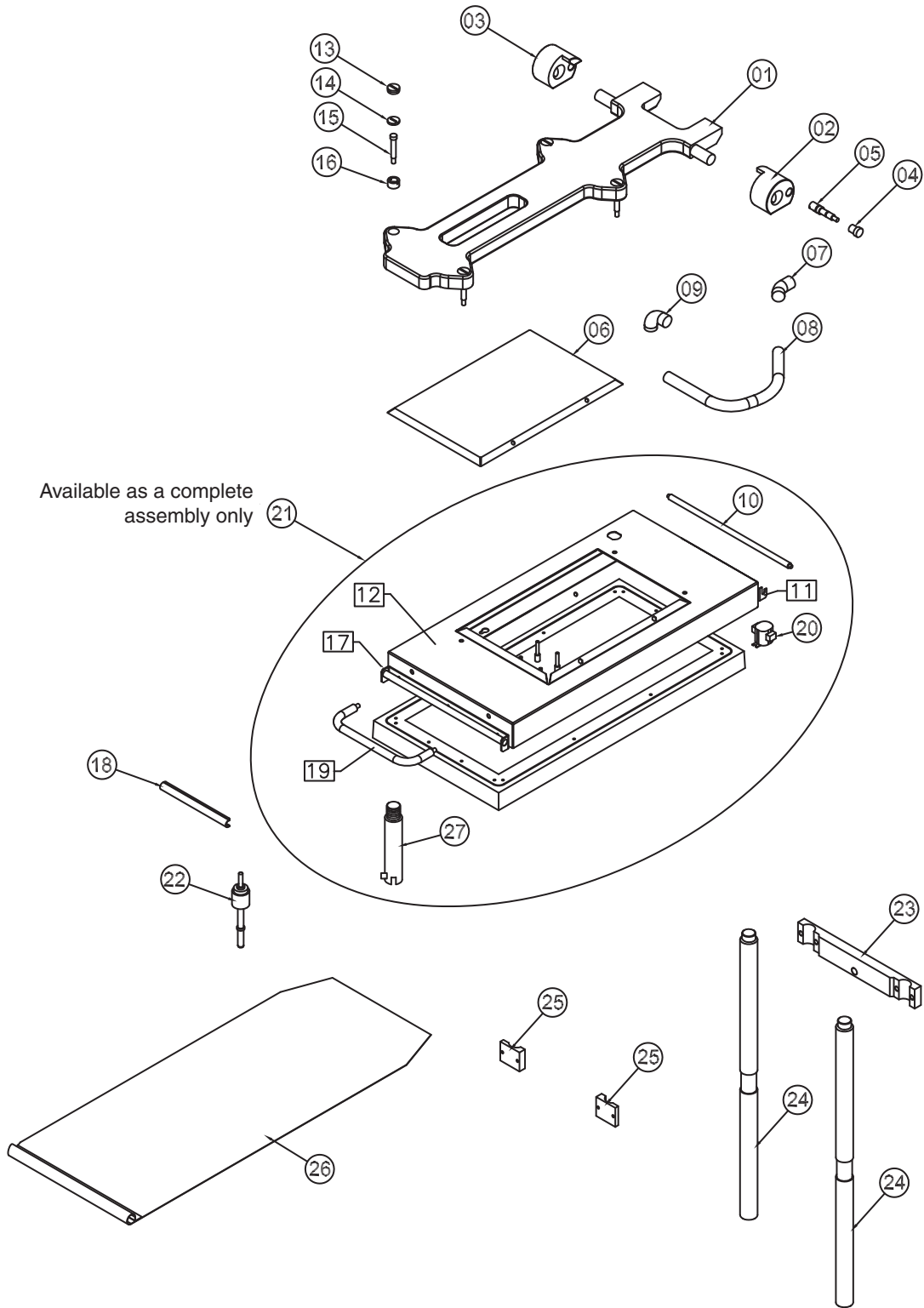
GARLAND PARTS IDENTIFICATION
XPress Grill Actuator Assembly View - Model: XE24
Non-CE & CE Version

ITEM	PART #	DESCRIPTION	QUANTITY	CRITICAL
1	4516080	Actuator Frame Wa	1	
2	4516096	Pillow Block	4	
3^	4525539	Actuator	1	C
4	1857601	Switch Bracket	2	
5	1855601	Upper/Lower Platen Limit Switch	2	C
6	1858001	Actuator Mount Block	1	
7	4516097	Actuator Base Bracket	1	

* NOT ILLUSTRATED

^ DIGITAL PHOTO AT THE END

RECOMMENDED STOCK PARTS



- Available Separately
- Not Available Separately

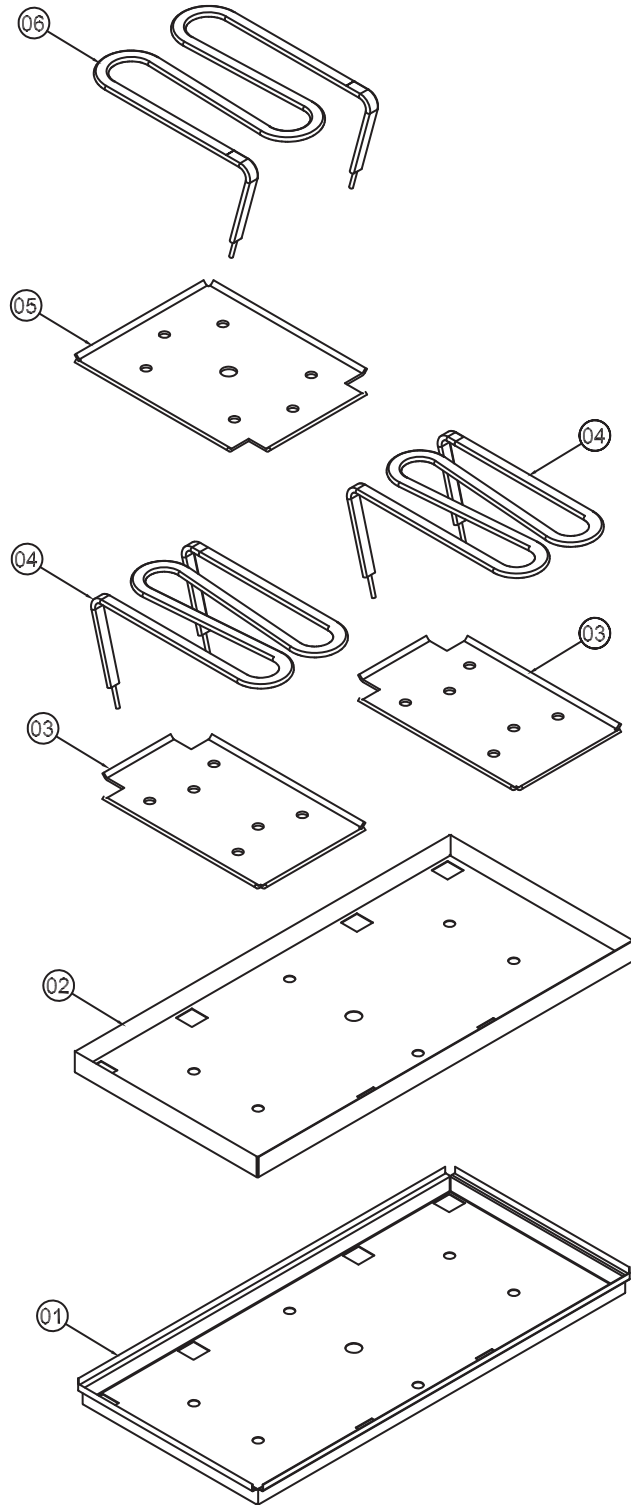
GARLAND PARTS IDENTIFICATION
XPress Grill Platen Assembly View - Model: XE24
Non-CE & CE Version

ITEM	PART #	DESCRIPTION	QUANTITY	CRITICAL
1	4516085	Platen Arm	1	
2	4516087	Carriage Block, Rt	1	
3	4516088	Carriage Block, Lt	1	
4	1858501	Pivot Stop Knob	1	
5	1858502	Pivot Stop Pin	1	
6	4516092	Platen Lid	1	
7	4517021	3/8 Connector, 45 Deg	1	
8	4517022	Platen Conduit	1	C
9	4517020	3/8 Connector, 90 Deg	1	
10	4517008	Teflon Bar, Rear	1	
11	4516094	Teflon Holder, Rear Note: Not Field Replaceable	1	
12	4516091	Platen Cowl	1	
13	1859102	Platen Adjuster Cap	4	C
14	1859103	Platen Lock Nut	4	C
15	8005401	Shoulder Bolt	4	C
16	1859101	Platen Adjuster Nut	4	C
17	4516093	Teflon Holder, Front Note: Not Field Replaceable	1	
18	1851301	Teflon Clip	1	C
19	1859501	Upper Platen Handle	1	
20a^	1781301	Hi Limit - Auto Reset (Non CE)	1	C
20b^	1866601	Hi Limit - Manual Reset (CE Version)	1	C
21	4519752	Platen Assembly Complete 208V - Non CE	1	C
	4519753	Platen Assembly Complete 220V - Non CE	1	C
	4519755	Platen Assembly Complete 2240V - Non CE	1	C
	4519756	Platen Assembly Compete 380V - CE Version	1	C
	4519757	Platen Assembly Compete 400V - CE Version	1	C
	4519758	Platen Assembly Compete 415V - CE Version	1	C
22	1859401	Platen Thermocouple	1	C
23	4516089	Cross Member	1	
24	4516084	Actuator Shaft	2	
25	4516090	Cross Member Bracket	2	
26	1799303	Teflon Sheet	1	C
27	1859402	Plate/Platen Bayonet Adapter	1	

* NOT ILLUSTRATED

^ DIGITAL PHOTO AT THE END

RECOMMENDED STOCK PARTS



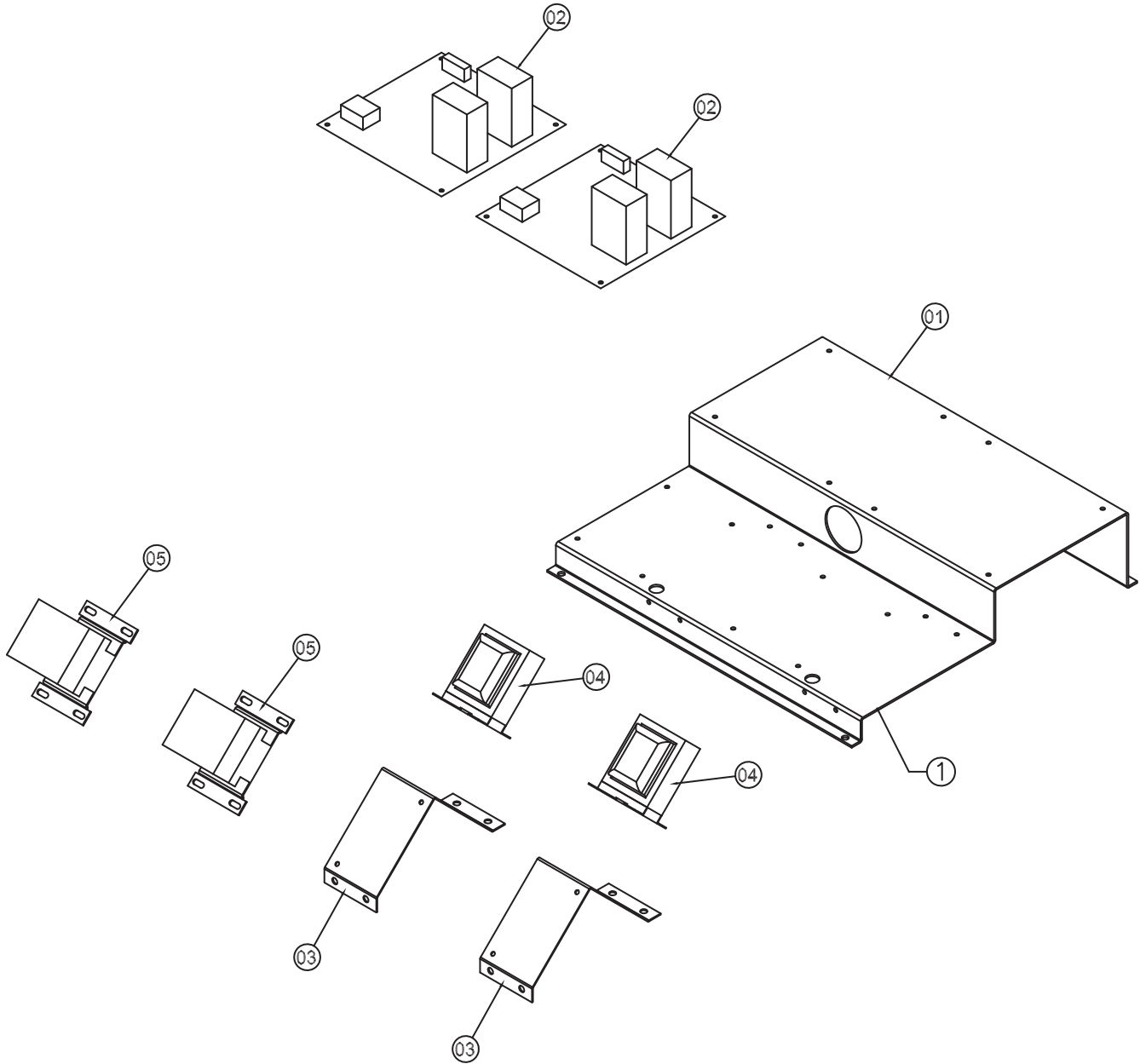
GARLAND PARTS IDENTIFICATION
XPress Grill Element Pan Assembly View - Model: XE24
Non-CE & CE Version

ITEM	PART #	DESCRIPTION	QUANTITY	CRITICAL
1	4516099	Element Pan, Lower	1	
2	4516100	Element Pan, Upper	1	
3	4516101	Element Clamp, Outer	2	
4	4516992	Outer Element 208V	2	C
	4516993	Outer Element 220V	2	C
	4516994	Outer Element 240V	2	C
	4517411	Outer Element 380V	2	C
	4516995	Outer Element 400V	2	C
	4517412	Outer Element 415V	2	C
5	4516102	Element Clamp, Inner	1	
6	4516996	Inner Element 208V	1	C
	4516997	Inner Element 220V	1	C
	4516998	Inner Element 240V	1	C
	4517413	Inner Element 380V	1	C
	4516999	Inner Element 400V	1	C
	4517414	Inner Element 415V	1	C

* NOT ILLUSTRATED

^ DIGITAL PHOTO AT THE END

RECOMMENDED STOCK PARTS



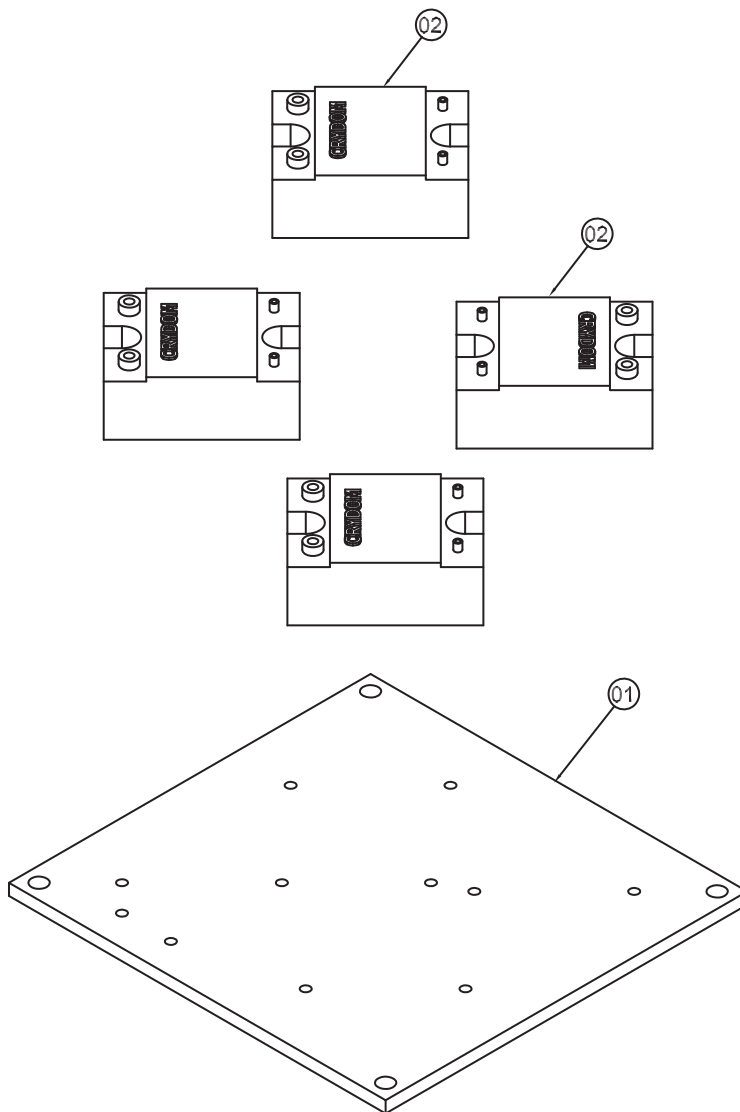
GARLAND PARTS IDENTIFICATION
XPress Grill Component Bracket Assembly View - Model: XE24
Non-CE & CE Version

ITEM	PART #	DESCRIPTION	QUANTITY	CRITICAL
1	4516682	Component Bracket	1	
2^	4516989	<i>Motor Speed Control</i>	2	C
3	4516079	Contactora Bracket	2	
4	1269800	<i>24 Volt Transformer</i>	2	C
5^	1637001	<i>Contactora</i>	2	C

* NOT ILLUSTRATED

^ DIGITAL PHOTO AT THE END

RECOMMENDED STOCK PARTS



GARLAND PARTS IDENTIFICATION
XPress Grill Heat Sink Assembly View - Model: XE24

Non-CE & CE Version

ITEM	PART #	DESCRIPTION	QUANTITY	CRITICAL
1	4516116	Heat Sink	1	
2	4516988	Relay	4	C

* NOT ILLUSTRATED

^ DIGITAL PHOTO AT THE END

RECOMMENDED STOCK PARTS



4516980
CIRCUIT BREAKER, CONTROL



1859604
BUTTON (BLACK)



1859606
MTG LATCH/CONTACT BLOCK



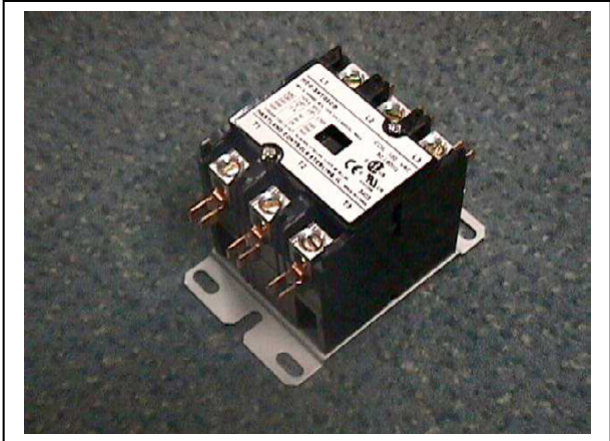
1856801
ARM PIVOT BLOCK (OLD VERSION)



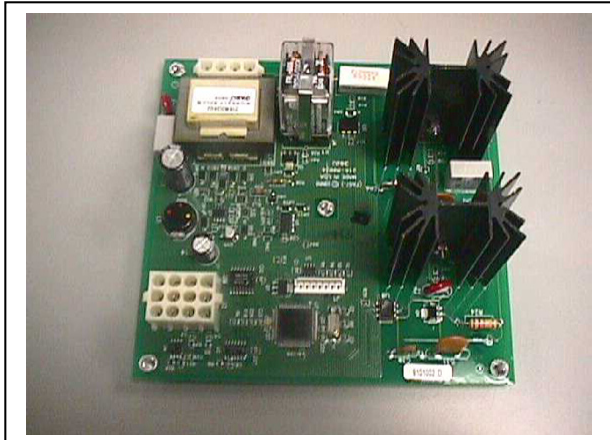
4524292
WIPER SEAL



4525539
LINEAR ACTUATOR – 3 WIRE



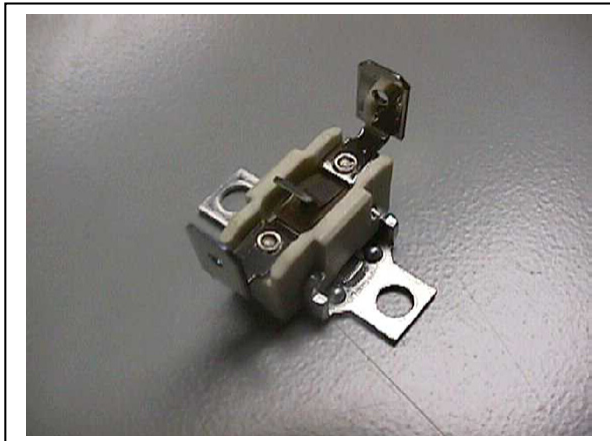
1637001
MAIN CONTACTOR 40 AMPS



4516989
MOTOR SPEED CONTROL



4516988
RELAY



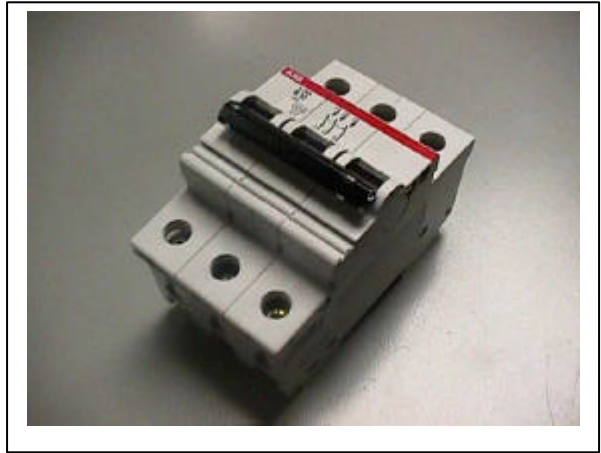
1866601
HI LIMIT MANUAL RESET (CE VERSION)



1781301
HI LIMIT (AUTO RESET) NON CE



1856802
ARM PIVOT BLOCK (NEW VERSION)



4516979
CIRCUIT BREAKER, ELEC HEATER

GARLAND PARTS IDENTIFICATION

Revision History

REV. #	PAGE #	ITEM #	NOTE	DATE	
			Part List Book Released	Mar 17/04	
1	5	26a	New Part # Added 1856802	Apr 2/04	
	18		New Page Added		
2	4,5	38	New Part # Added 3081300	Dec 16/04	
3	8,9	21,27	New Part Numbers	Mar 07/05	
	17		Digital Photo Part Number 1781301 Added		
4	5	38	Part Number Changed – 3081300	Nov 29/05	
	9	22	Part Number Changed – 4517023		
5	4		New Drawing	Jan 19/09	
	5	8C			New Part Number
		10C, 10D			
		17A			Part Number Changed - Was 1859601
		17B			New Part Number Added
		17C			Was Item Number 17B - And Part Number Was 1859603
		18			Part Number Changed - Was 1872400
		19			Part Number Changed - Was 4517132
		20B, 20C			New Part Number Added
		28			Part Number Changed - Was 4517006
	29		Part Number Changed - Was 1874201		
7	3	Part Number Changed - Was 1812401			
16,17		New Description And Part Number			
6	8		New Drawing	Feb 09/09	
	9	11,17	Note Added		
7			Book Title Changed - NON-CE & CE VERSION	Mar 09/09	
			Critical Column Added		
8	4		New Drawing	Jul 17/09	
	5	19A			New Part Number Added
		16			Description Changed - "(5 Button W/Gap Key)" Added
		26A & 26B			Replaced By New Part Numbers
		26C & 26D			New Part Number Added
		30A			Part Number Changed - Was 4517013
	30B		Part Number Changed - Was 4517014		
	6 & 7		New Pages Added		
	6	38			Part Number Changed - Was (4520578 : Grill Thermocouple)
		39,40,41			New Part Number Added
51			New Part Number Added		
11	27	Description Changed - Removed "Grill"			

NOTES

NOTES

 **Garland**[®]