



***GARLAND MODEL  
36E & 680 FRYERS***

**PARTS LIST**

Toll Free Phone, (US & Canada): (800) 427-6668

Toll Free Fax, (US & Canada): (800) 361-7745

<http://www.garland-group.com>

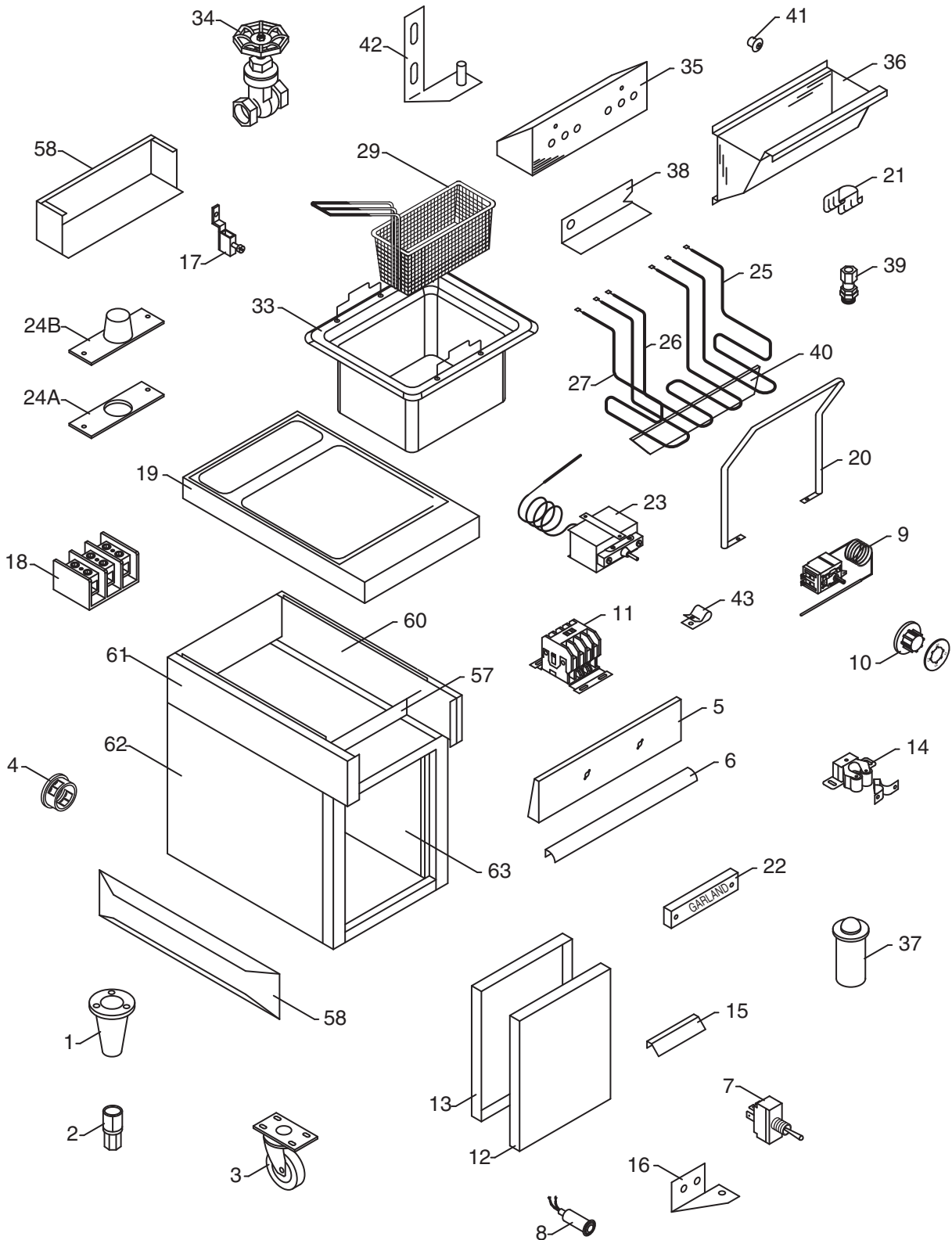




# ***GARLAND MODEL 36E & 680 FRYERS***

## ***Contents:***

Heavy Duty Fryers Models 36ES11, 36ES11-SF, 36ES11-BL AND 3611-SFBL .....	Page 4
Heavy Duty Fryer Model 36ES21 .....	Page 8
Restaurant Fryers Models 680-31F, 680-31FBL, 680-31SF AND 680-31SFBL .....	Page 12
Basket Lift Fryers Models 36ES11-BL, 36ES11-SFBL, 680-31FBL AND 680-31SFBL .....	Page 16



## GARLAND PARTS IDENTIFICATION

### Heavy Duty Fryers

Models 36ES11, 36ES11-SF, 36ES11-BL, 36ES11-SFBL

ITEM	PART #	DESCRIPTION	MODEL			
			QUANTITY			
			36ES11	36ES11-SF	36ES11-BL	36ES11-SFBL
1	1027600	Leg Retainer 6" (Std.)	4	4	4	4
2	1150502	Bullet Legs	4	4	4	4
3	1027800	Swivel Caster Less Brake	2	2	2	2
	1027801	Swivel Caster C/W Brake	2	2	2	2
4	G01487-5	Heyco Bushing 1-5/16 ID	2	2	2	2
5	1211900	Control Panel	1	1		
	1211902	Control Panel			1	1
6	1685304	Drip Tray Handle 17 7/8	1	1	1	1
7	G01864-1	Toggle Switch	1	1	1	1
8	G01296-2	Pilot Amber	1	1	1	1
	G01296-1	Pilot Red 240V	1	1	1	1
9	G01894-01	Thermostat 2 Terminal	1	1	1	1
10	<b>G02716-1</b>	<b>Dial - (Universal) Small Shaft</b>	1	1	1	1
	<b>G02725-20</b>	<b>Dial Insert (OFF/200°F/375°F)</b>	1	1	1	1
11	1637002	Main Contactor Pole 240V	2	2	2	2
12	1210900	Door Panel Rt - 18"	1	1	1	1
13	1210998	Door Liner Assembly	1	1	1	1
14	2671600	Catch-Double Roller #603-2G	1	1	1	1
15	2533900	Door Handle	1	1	1	1
16	1210800	Lower Door Hinge Rt	1	1	1	1
17	G01499-1	Ground Terminal 105A Large SLU-70	1	1	1	1
18	1193900	Terminal Block - 3 Pole-Hi Voltage Up to January 1, 2001	1	1	1	1
	2694801	Export/Domestic Terminal Block (4) From January 1, 2001	1	1	1	1
19	1212299	Main Top Assembly	1	1	1	1
20	G02099-1	Element Lifting Handle Ni. PLT	1	1	1	1
21	F300	Clip-Tinnerman	2	2	2	2
22	1902918	Nameplate - GARLAND 7 3/4 Up to October 1, 2001	1	1	1	1
	3077100	7-5/8" GARLAND Nameplate From October 1, 2001	1	1	1	1
23	1092900	LCC Control (Up to Dec. 31, 1973.)	1	1	1	1
	1143900	LCH Safety Limit Control (From Jan 1, 1974.)	1	1	1	1
24A	1116100	Boot Plate	1	1	1	1
24B	1116000	Fryer Boot Flush Mounted	1	1	1	1
25	<b>G1551-1</b>	<b>Element R/H 208V, 4KW</b>	1		1	
	<b>G1551-3</b>	<b>Element R/H 240V, 4KW</b>	1		1	
	<b>G1551-9</b>	<b>Element R/H 440/480V, 4KW</b>	1		1	
	<b>G1551-11</b>	<b>Element R/H 208V, 4.5KW</b>		1		1
	<b>G1551-13</b>	<b>Element R/H 240V, 4.5KW</b>		1		1
	<b>G1551-15</b>	<b>Element R/H 440/480V, 4.5KW</b>		1		1
26	<b>G1550-1</b>	<b>Element Center 208V, 4KW</b>	1		1	
	<b>G1550-2</b>	<b>Element Center 240V, 4KW</b>	1		1	
	<b>G1550-5</b>	<b>Element Centre 440/480V, 4KW</b>	1		1	
	<b>G0476-01</b>	<b>Element Center 208V, 7KW</b>		1		1
	<b>G0476-02</b>	<b>Element Center 240V, 7KW</b>		1		1
	<b>G0476-03</b>	<b>Element Centre 440V/480V, 7KW</b>		1		1

\* NOT ILLUSTRATED

#### RECOMMENDED STOCK PARTS

## GARLAND PARTS IDENTIFICATION

### Heavy Duty Fryers

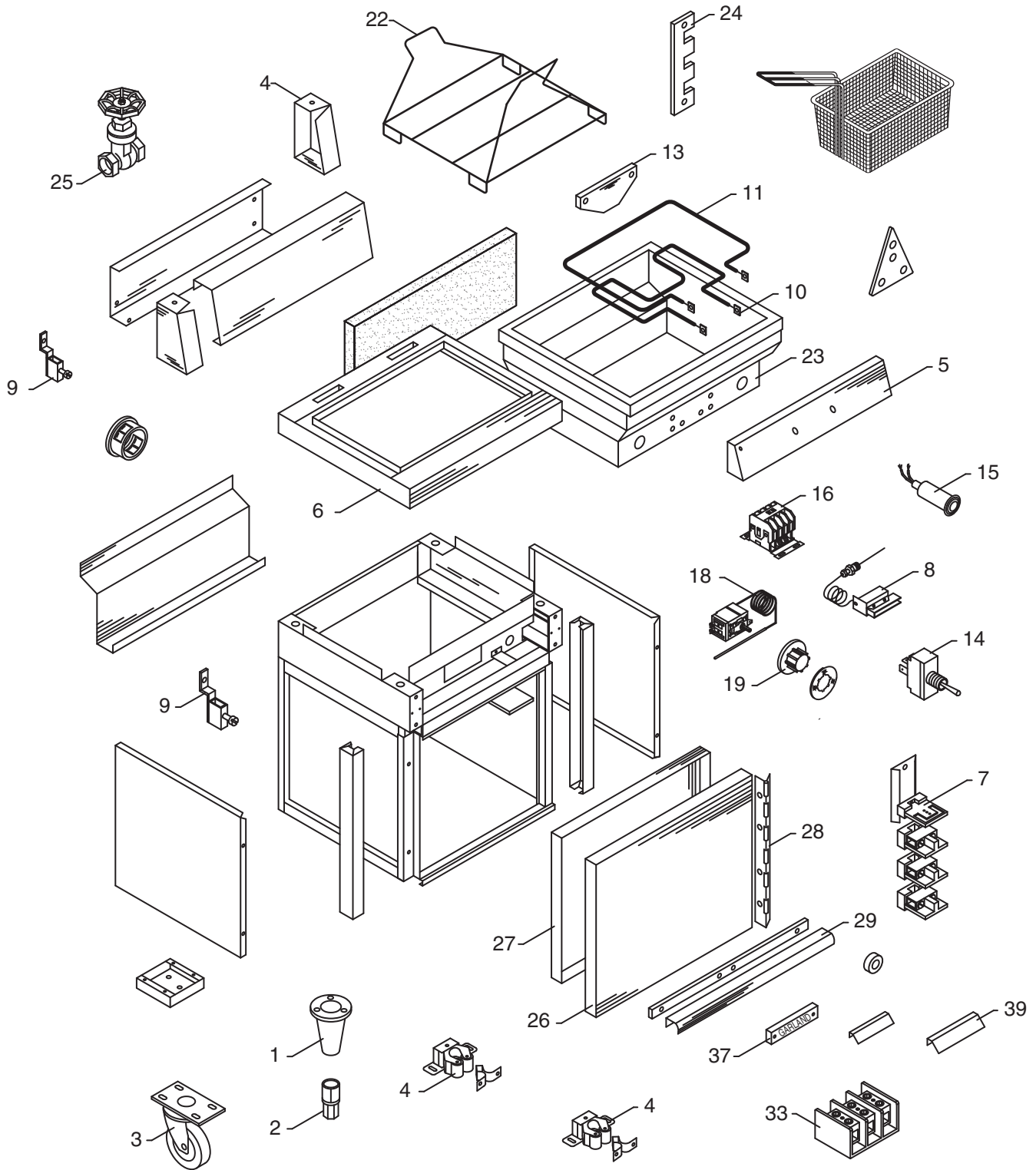
Models 36ES11, 36ES11-SF, 36ES11-BL, 36ES11-SFBL

ITEM	PART #	DESCRIPTION	MODEL			
			QUANTITY			
			36ES11	36ES11-SF	36ES11-BL	36ES11-SFBL
27	<i>G1551-2</i>	<i>Element L/H 208V, 4KW</i>	1		1	
	<i>G1551-4</i>	<i>Element L/H 240V, 4KW</i>	1		1	
	<i>G1551-10</i>	<i>Element L/H 440/480V, 4KW</i>	1		1	
	<i>G1551-12</i>	<i>Element L/H 208V, 4.5KW</i>		1		1
	<i>G1551-14</i>	<i>Element L/H 240V, 4.5KW</i>		1		1
	<i>G1551-16</i>	<i>Element L/H 440/480V, 4.5KW</i>		1		1
28*	G02504-460	Transformer 460V (High Voltage Only)	1	1	1	1
29	G02698-2	Basket Twin L/H	1	1		
	G02698-1	Basket Twin R/H	1	1		
30*	G01075-1-8	Twin Basket E18BL 10-31BL			2	2
31*	G02699-1	Basket Single (Optional)	1	1		
33	G02692-01-8P	Frytank Assembly (Plated) W/Drain		1		1
	G02692-02-8P	Frytank Assembly (Plated) No Drain	1		1	
34	G2941-1P	Valve 1" Gate - Plated		1		1
35	1123511	Rotating Head Cover	1	1	1	1
36	1123597	Rotating Head Assembly	1	1	1	1
37	G02156-1	Rotating Head Latch Return	1	1	1	1
38	1123505	Stop Bracket	1	1	1	1
39	G1156-1	Straight Thru Fitting	6	6	6	6
40	G1570-1-9	Tie Bar Support	1	1	1	1
41	G1155-1	Black PVC Grommet #315-463	2	2	2	2
42	1333198	Hinge Bracket Assembly Lt	1	1	1	1
	1333199	Hinge Bracket Assembly Rt	1	1	1	1
<b>Units With Greater Than 48 Amperes Require The Following After Serial # 089134</b>						
43	4519722	Tube Clamp	4	4	4	4
44*	1233599	Breaker Box Assembly	1	1	1	1
45*	<b>1103303</b>	<b>(2) Pole Breaker 50 Amps</b>	1		1	
46	<b>1103304</b>	<b>(3) Pole Breaker 50 Amps</b>		1		1
47*	1193900	Terminal Block - 3 Pole-Hi Voltage	1	1	1	1
48*	1233503	Breaker Box Cover	1	1	1	1
49*	1233504	Breaker Box Mount Plate	1	1	1	1
50*	1028803	Heyco Bushing 1 3/4 Dia	2	2	2	2
51	1233800	Wire Way	1	1	1	1
52*	<b>1130103</b>	<b>Fuse 208/240V - 20 Amps</b>			2	2
53*	<b>1130102</b>	<b>Fuse Holder (All Voltages)</b>			2	2
54*	1094600	10" Filter Cone (G70) (Optional)				
55*	1144300	Filter Basket Chrome Plated (Optional)				
56*	G0599-1-9	Frytank Cover (Optional)				
57	1211200	Thermostat Housing				
58	1211100	Wire Shield				
59*	1212300	Flue Riser Back 18"				
60	1198501	Burner Box Side Right				
	1198503	Burner Box Side Rt S/S				
61	1198500	Burner Box Side Left				
	1198502	Burner Box Side Lt S/S				
62	1210602	Body Side LT				
	1210603	Body Side LT SS				
63	1210600	Body Side RT				
	1210601	Body Side RT SS				

\* NOT ILLUSTRATED

**RECOMMENDED STOCK PARTS**

## ***NOTES***





## GARLAND PARTS IDENTIFICATION

### Heavy Duty Fryers

Model: 36ES21

ITEM	PART #	DESCRIPTION	MODEL
			QUANTITY
			36ES1
1	1027600	Leg Retainer 6" (Std.)	4
2	1150502	Bullet Legs	4
3	1027801	Swivel Caster C/W Brake	2
	1027800	Swivel Caster Less Brake	2
4	2671600	Catch-Double Roller #603-2G	1
5	1211903	Control Panel	1
6	1212199	Main Top Assembly	1
7	1193900	Terminal Block - 3 Pole-Hi Voltage Up to January 1, 2001	1
	2694801	Export/Domestic Terminal Block (4) From January 1, 2001	1
8	<b>1143900</b>	<b>LCH Safety Limit Control</b>	1
	1143902	Stuffing Box #4650-002	1
9	G01499-1	Ground Terminal 105A Large SLU-70	1
10	<b>G2455A2</b>	<b>Element Bottom 208V, 5.6KW</b>	1
	<b>G2455A1</b>	<b>Element Bottom 240V, 5.6KW</b>	1
	<b>1073796</b>	<b>Bottom Element 460V, 5.6 KW</b>	1
11	<b>G02697-A2</b>	<b>Top Element 208V, 4.8KW W/Clamps</b>	3
	<b>G02697-A1</b>	<b>Top Element 240V, 4.8KW W/Clamps</b>	3
	<b>1073896</b>	<b>Element 460V, 4.8KW</b>	3
12*	CK161	Tube Clamp Assembly Kit	8
13	G2470-1-9	Tie Bar Support	1
14	G01864-1	Toggle Switch	1
15	G01296-1	Pilot Red 240V	1
	G01296-2	Pilot Amber	1
16	1637002	Main Contactor Pole 240V	2
17*	G02504-460	Transformer 460V (High Voltage Only)	1
18	1073900	Regulating Thermostat	1
19	<b>G02716-1</b>	<b>Dial - (Universal) Small Shaft</b>	1
	<b>G02725-20</b>	<b>Dial Insert (OFF/200°F/375°F)</b>	1
20*	G2432-1	Basket R/H	1
21*	G2432-2	Basket L/H	1
22	G2433A1	Screen Assembly Nickel	1
23	G2435-01-9	Frytank Assembly	1
24	G2452-1-9	Element Clamp	1
25	G2941-1P	Valve 1" Gate - Plated	2
26	1210901	Door Panel Stainless Steel	1
27	1210996	Door Liner Assembly	1

\* NOT ILLUSTRATED

**RECOMMENDED STOCK PART**

## GARLAND PARTS IDENTIFICATION

### Heavy Duty Fryers

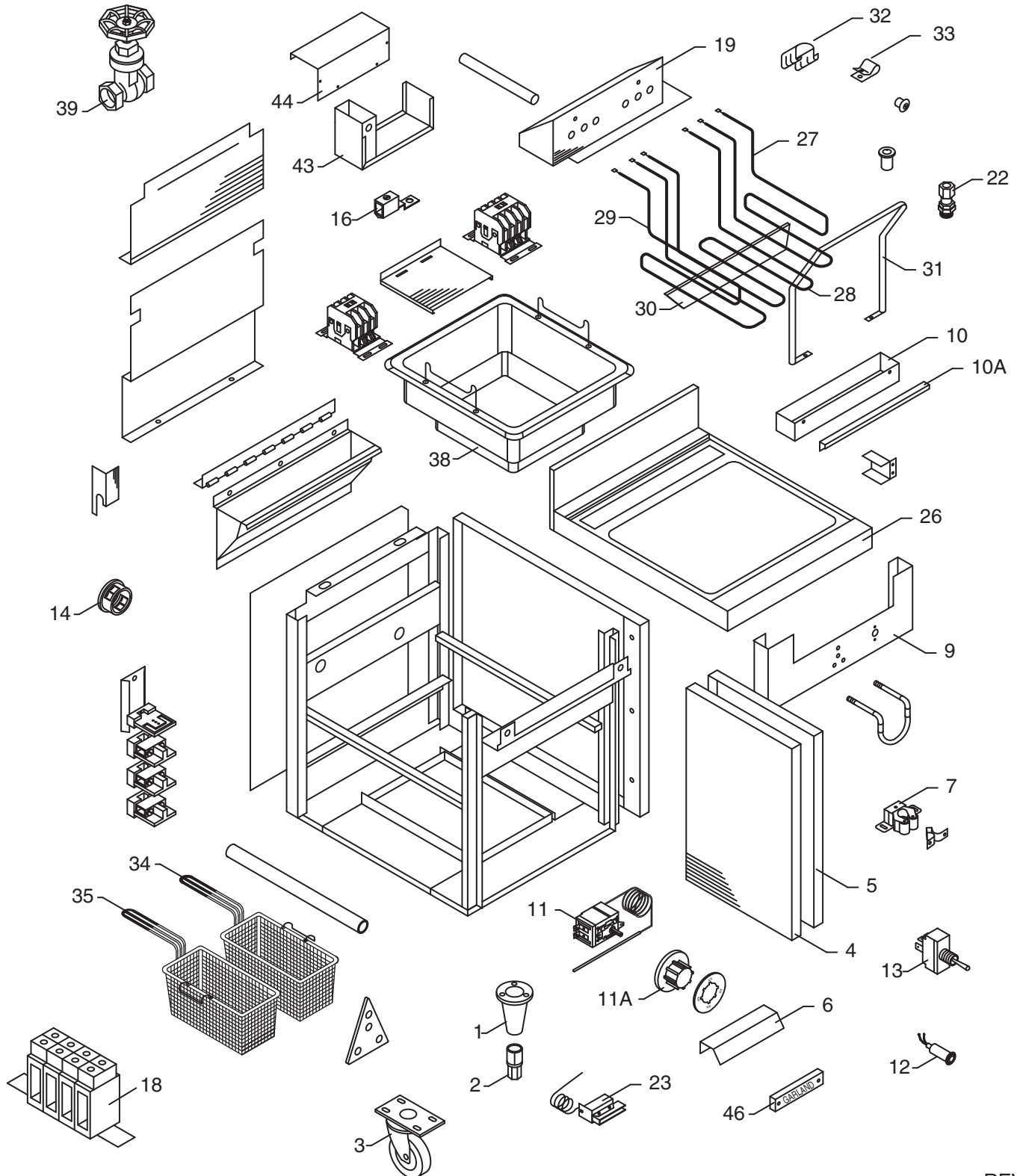
Model: 36ES21

ITEM	PART #	DESCRIPTION	MODEL
			QUANTITY
			36ES1
<b>Units Rated At Greater Than 48 Amperes Require The Following:</b>			
28	1210800	Lower Door Hinge Rt	
29	1685301	Drip Tray Handle 23 15/16	
30*	1233597	Breaker Box Assembly	1
31*	1212499	Front Splash Assembly S/W	1
32*	1103304	(3) Pole Breaker 50 Amps	2
33	1193900	Terminal Block - 3 Pole-Hi Voltage Up to January 1, 2001	1
	2694801	Export/Domestic Terminal Block (4) From January 1, 2001	1
34*	1233503	Breaker Box Cover	1
35*	1233504	Breaker Box Mount Plate	1
36*	1233800	Wire Way	1
37	1902918	Nameplate - GARLAND 7 3/4 Up to October 1, 2001	1
	3077100	7-5/8" GARLAND Nameplate From October 1, 2001	1
38*	G2585-1-9	Frytank Cover (Optional)	1
39	2533900	Door Handle	1
40*	1212700	Door Catch Bracket	1
41*	1028503	3/4 Box Connector Straight	
42*	G01496-7	3/4" Anti-Short #3	
43*	2572300	3/4 Aluminum Flex Conduit	

\* NOT ILLUSTRATED

***RECOMMENDED STOCK PART***

## ***NOTES***



## GARLAND PARTS IDENTIFICATION

### Heavy Duty Fryers

Models: 680-31F, 680-31FBL, 680-31SF, 680-31SFBL

ITEM	PART #	DESCRIPTION	MODEL			
			QUANTITY			
			680-31F	680-31FBL	680-31SF	680-31SFBL
1	1027600	Leg Retainer 6" (Std.)	4	4	4	4
2	1150502	Bullet Legs	4	4	4	4
3	1027801	Swivel Caster C/W Brake	2	2	2	2
	1027800	Swivel Caster Less Brake	2	2	2	2
4	2174800	Door Panel	1	1	1	1
5	G02308-1-8	Door Lining	1	1	1	1
6	2533900	Door Handle	1	1	1	1
7	2671600	Catch-Double Roller #603-2G	1	1	1	1
8*	G02309-01-9	Door Hinge Assembly	2	2	2	2
9	G02317-2-9	Switch Panel	1	1	1	1
10	G02452-1-8	Grease Pan	1	1		
10A	G02453-1-9	Grease Pan Handle			1	1
11	<b>G01894-01</b>	<b>Thermostat 2 Terminal</b>	1	1	1	1
11A	<b>G02716-1</b>	<b>Dial - (Universal) Small Shaft</b>	1	1	1	1
	<b>G02725-20</b>	<b>Dial Insert (OFF/200°F/375°F)</b>	1	1	1	1
12	G01296-2	Pilot Amber	1	1	1	1
	G01296-1	Pilot Red 240V	1	1	1	1
13	G01864-1	Toggle Switch	1	1	1	1
14	G01487-3	Heyco Bushing 7/8IDX1 39/64OD	4	4	4	4
15*	1637002	Main Contactor Pole 240V	2	2	2	2
16	G01499-1	Ground Terminal 105A Large SLU-70	1	1	1	1
17*	<b>G02504-460</b>	<b>Transformer 460V (High Voltage Only)</b>	1	1		
	<b>1033700</b>	<b>Transformer</b>			1	1
18	1193900	Terminal Block - 3 Pole-Hi Voltage Up to January 1, 2001	1	1	1	1
	2694801	Export/Domestic Terminal Block (4) From January 1, 2001	1	1	1	1
19	1123597	Rotating Head Assembly	1	1	1	1
20*	G02156-1	Rotating Head Latch Return	1	1	1	1
21*	1123505	Stop Bracket	1	1	1	1
22	G1156-1	Straight Thru Fitting	6	6	6	6
23	<b>1143900</b>	<b>LCH Safety Limit Control</b>	1	1	1	1
	<b>1092900</b>	<b>LCC Control</b>	1	1	1	1
24*	1116100	Boot Plate	1	1	1	1
	1116000	Fryer Boot Flush Mounted	1	1	1	1
	NPN	**NO PART NUMBER****	2	2	2	2
25*	1123511	Rotating Head Cover	1	1		
26	G02295-01-8P	Main Top Assembly (Plated)	1	1	1	1
27	<b>G1551-2</b>	<b>Element L/H 208V, 4KW</b>	1	1		
	<b>G1551-4</b>	<b>Element L/H 240V, 4KW</b>	1	1		
	<b>G1551-10</b>	<b>Element L/H 440/480V, 4KW</b>	1	1		
	<b>G1551-12</b>	<b>Element L/H 208V, 4.5KW</b>			1	1
	<b>G1551-14</b>	<b>Element L/H 240V, 4.5KW</b>			1	1
	<b>G1551-16</b>	<b>Element L/H 440/480V, 4.5KW</b>			1	1
28	<b>G1550-1</b>	<b>Element Center 208V, 4KW</b>	1	1		
	<b>G1550-2</b>	<b>Element Center 240V, 4KW</b>	1	1		
	<b>G1550-5</b>	<b>Element Centre 440/480V, 4KW</b>	1	1		
	<b>G0476-01</b>	<b>Element Center 208V, 7KW</b>			1	1
	<b>G0476-02</b>	<b>Element Center 240V, 7KW</b>			1	1
	<b>G0476-03</b>	<b>Element Centre 440V/480V, 7KW</b>			1	1
* NOT ILLUSTRATED						
<b>RECOMMENDED STOCK PARTS</b>						

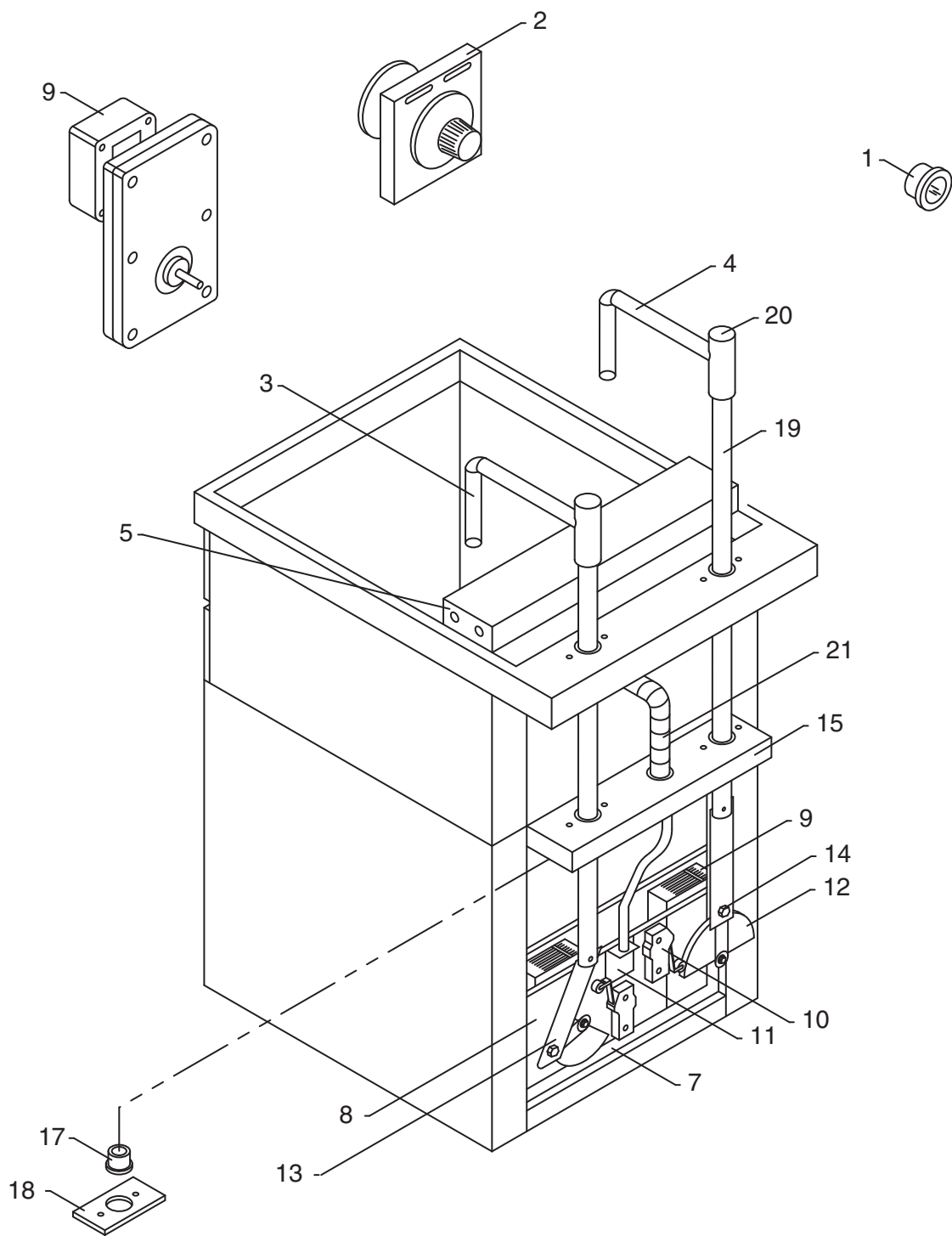
## GARLAND PARTS IDENTIFICATION

### Heavy Duty Fryers

Models: 680-31F, 680-31FBL, 680-31SF, 680-31SFBL

ITEM	PART #	DESCRIPTION	MODEL			
			QUANTITY			
			680-31F	680-31FBL	680-31SF	680-31SFBL
29	<i>G1551-1</i>	<i>Element R/H 208V, 4KW</i>	1	1		
	<i>G1551-3</i>	<i>Element R/H 240V, 4KW</i>	1	1		
	<i>G1551-9</i>	<i>Element R/H 440/480V, 4KW</i>	1	1		
	<i>G1551-11</i>	<i>Element R/H 208V, 4.5KW</i>			1	1
	<i>G1551-13</i>	<i>Element R/H 240V, 4.5KW</i>			1	1
	<i>G1551-15</i>	<i>Element R/H 440/480V, 4.5KW</i>			1	1
30	G1570-1-9	Tie Bar Support	1	1	1	1
31	G02099-1	Element Lifting Handle Ni. PLT	1	1	1	1
32	F300	Clip-Tinnerman	2	2	2	2
33	4519722	Tuble Clamp	6	6	6	6
34	G02698-2	Basket Twin L/H	1	1		
35	G02698-1	Basket Twin R/H	1	1		
36*	G02699-1	Basket Single (Optional)				
37*	G01075-1-8	Twin Basket E18BL 10-31BL			2	2
38	G02692-01-8P	Frytank Assembly (Plated) W/Drain	1	1	1	1
	G02692-02-8P	Frytank Assembly (Plated) No Drain	1	1	1	1
39	G2941-1P	Valve 1" Gate - Plated	1	1	1	1
40*	1144300	Filter Basket Chrome Plated (Optional)	1	1	1	1
41*	1094600	10" Filter Cone (G70) (Optional)	5	5	5	5
42*	G0599-1-9	Frytank Cover (Optional)	1	1	1	1
43	G02302-01-7	Contactoer Enclosure Assembly	1	1	1	1
44	G02303-1-7	Contactoer Enclosure Cover	1	1	1	1
45*	1333198	Hinge Bracket Assembly Lt	1	1	1	1
	1333199	Hinge Bracket Assembly Rt	1	1	1	1
46	1902918	Nameplate - GARLAND 7 3/4	1	1	1	1
* NOT ILLUSTRATED						
<b>RECOMMENDED STOCK PARTS</b>						

## ***NOTES***





## GARLAND PARTS IDENTIFICATION

### Heavy Duty Basket Lift Fryers

**Models: 36ES11-BL, 36ES11-SFBL, 680-31FBL, 680-31SFBL**

ITEM	PART #	DESCRIPTION	ALL MODELS
			QTY
1	1143600	1" Nickel Plated Finger Ring	2
2	<b>G02721</b>	<b>Timer 208/240</b>	2
	G03688-1	Dial 15 Minutes Std	2
3	1142894	Basket Support Arm Assembly Lt	1
4	1142895	Basket Support Arm Assembly Rt	1
5	1142101	Roller Arm Rotating Head	2
6*	G01102-1	Roller Basket Lift #8100194	2
	G01075-1-8	Twin Basket E18BL 10-31BL	2
7	1142598	Motor Mount Angle Assembly	2
8	G01060-1-7	Motor Mount Plate	2
9	<b>G01136-2</b>	<b>Motor 208/240V (USE F807-0108)</b>	2
10	<b>G01137</b>	<b>Micro Switch (Roller Type)</b>	2
11	1142502	Cable Support	1
12	G01103-1	Bell Crank	2
13	1142600	Drive Bar	2
14	G01641-1	Conduit Bushing 3/4	4
15	1142200	Rear Channel Support	1
16	1142401	Bushing Retainer Bottom	2
17	1011203	Bronze Bushing	6
	1142400	Bushing Retainer Top	2
18	1142402	Bushing Retainer Bottom	2
19	1140600	B/L Fryer Lift Rod	2
20	G01278-2	5/8 Plug Button	2
21	1029414		1

\* NOT ILLUSTRATED

**RECOMMENDED STOCK PARTS**

## GARLAND PARTS IDENTIFICATION

### Revision History

REV. #	PAGE #	ITEM #	NOTE	DATE
1	6	43	New Part Number – Was GF139	Apr 01/05
	14	33		
2	13,14	27,28,29	Quantity Switched Between Model 680-31FBL & 680-31SF	Mar 01/06

## ***NOTES***

 **GARLAND**<sup>®</sup>