



Electric Stock Pot Range

Item: _____
 Quantity: _____
 Project: _____
 Approval: _____
 Date: _____

Electric Stock Pot Range

Models:

E20-SP

E20-SPC



*Model E20-SP
(stock pot not included)*

Standard Features:

- Heavy duty modular construction
- Stainless steel finish legs, front and sides.
- Removable stainless steel control panel
- Removable 3/4" (19mm) thick polished steel top plate
- Thermostatically controlled from 150°F (66°C) to 950°F (510°C) graduated from one to 10, number 10 gives constant high heat with no cycling
- 5.5 kW, with two metal sheathed elements rated 2.6 kW and 2.9 kW
- Amber indicator light, which cycles with thermostat, cycles off to indicate desired setting has been reached
- Boils 8 gallons every hour with pre-heat start
- Counter Model available E20-SPC

Specifications:

Electric stock pot range, with clean electric heat, heavy duty modular construction 3/4" (19mm) thick one piece polished steel plate and stainless steel control panel, both plate and panel are removable. 20" (508mm) wide, x 20" (508mm) deep x 24" (610mm) high, with stainless steel legs, front and sides. Adjustable 1-1/8" (29mm) high zinc leveling feet. Metal sheath elements rated at 2.6 and 2.9 kW clamp to underside of plate, along with metal housing, heavy insulation and radiation shield ensures efficient even heat.

Thermostatically controlled elements from 150°F (66° C) to 950°F (510°C), with amber indicator light. Preheats to 475°F (246°C) in 15 minutes and 900°F (482°C) in one hour, boils 8 gallons every hour with preheat start. Also available as a counter model, E20-20SPC



Model	Dimensions			Cu Ft	Shipping Weight Lb/Kg
	Width	Depth	Height		
E20-SP	20" (508mm)	20" (508mm)	24" (610mm)	10	170/77
E20-SPC	20" (508mm)	20" (508mm)	14-1/8" (359mm)	4	160/163

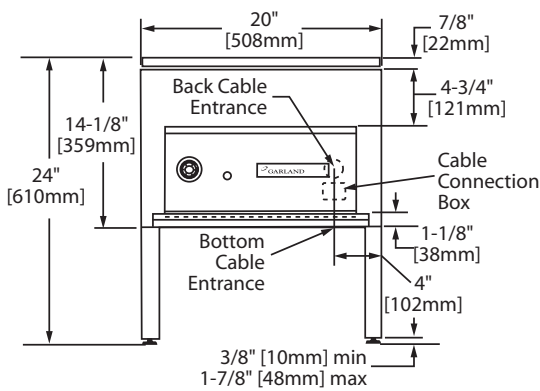
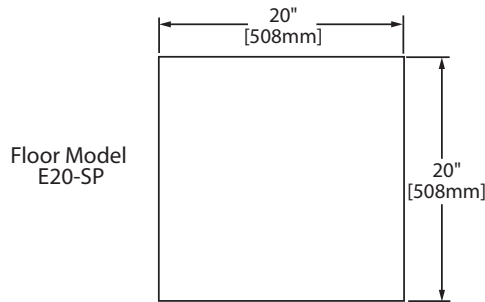
Model	Total Kw Loading		Nominal Amps per Line	
			Single Phase	
	208V	240V	208V	240V
E20-SP/SPC	5.5	5.5	26	23

Performance	
Pre-Heats to	Time
475°F (246°C)	15 Min.
725°F (385°C)	30 Min.
850°F (454°C)	45 Min.
900°F (482°C)	1 Hour

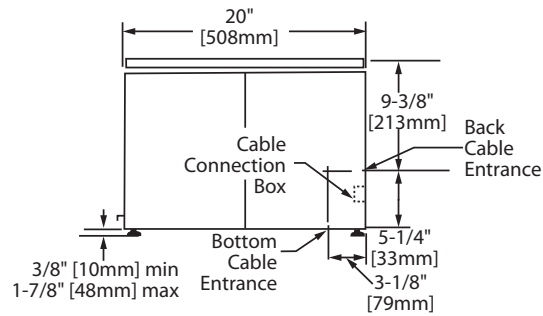
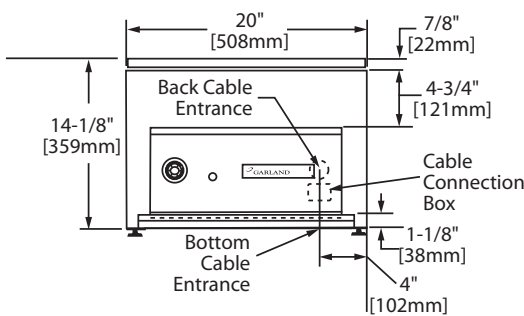
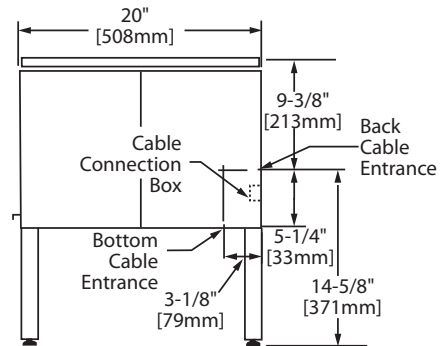
Specify voltage and wiring required – Available wiring 208 Volt (197-219) or 240 Volt (220-240) single phase only.

Combustible Wall Clearances	
Sides	Back
5" (127mm)	5" (127mm)

Garland products are not approved or authorized for home or residential use, but are intended for commercial applications only. Garland will not provide service, warranty, maintenance or support of any kind other than in commercial applications.



Counter Model E20-SPC



Form# E20-SP (03/20/12)