



***PHD Plus***  
***Product Holding Drawer***

**PARTS LIST**

Toll Free Phone, (US & Canada): (800) 427-6668

Toll Free Fax, (US & Canada): (800) 361-7745

<http://www.garland-group.com>



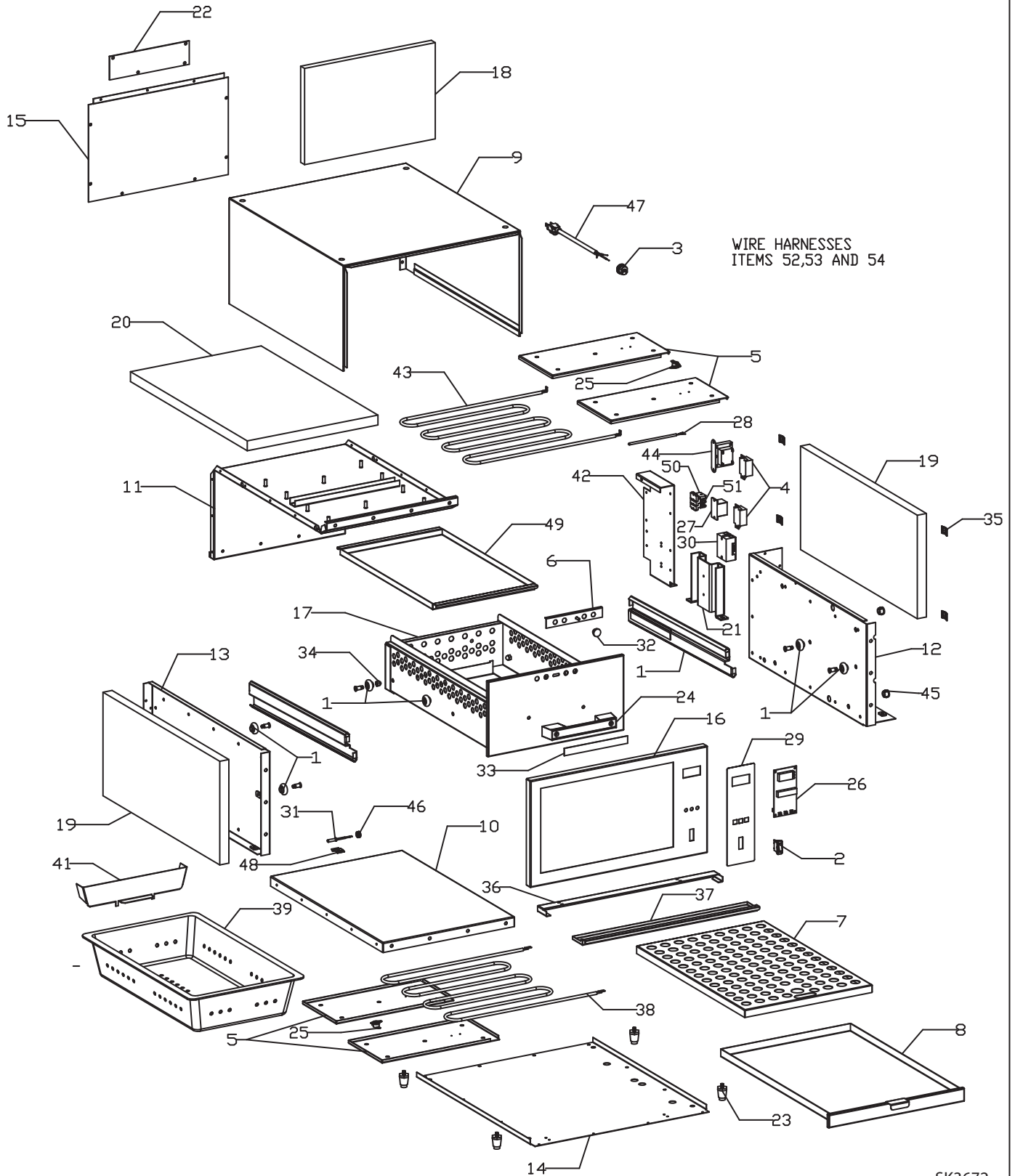


# ***PHD Plus***

# ***Product Holding Drawer***

## ***Contents:***

|   |        |
|---|--------|
| Model PHD Electric Product Holding Drawer ..... | Page 4 |
| Revision History .....                          | Page 7 |



SK3672

## GARLAND PARTS IDENTIFICATION

### Model PHD

#### Electric Product Holding Drawer

| ITEM | PART #   | DESCRIPTION                                      | QUANTITY |
|------|----------|--|----------|
| 1    | 2681499  | LT & RT Drawer Slides c/w 8 S/S Rollers & Screws | 1        |
| 2    | 2146800  | Illuminated Power Switch                         | 1        |
|      | 3011400  | PVC Cap  | 1        |
| 3    | 2490500  | Straight Through Relief Bushing (120V Option)    | 1        |
|      | 2147401  | Liquid Tight Fitting 230V (UK CE)                | 2        |
| 4    | 2573000  | Terminal Block -3 Circuit                        | 2        |
| 5    | 2625700  | Heater Cover                                     | 4        |
| 6    | 2625899  | Vent Plate Assembly                              | 1        |
| 7    | 2697400  | Water Pan Cover                                  | 1        |
| 8    | 2697399  | Water Pan Assembly                               | 1        |
| 9    | 2626199  | Top Cover Assembly                               | 1        |
| 10   | 2626399  | Liner Bottom Assembly                            | 1        |
| 11   | 3007199  | Liner Top Assembly                               | 1        |
| 12   | 2691099  | Liner Right                                      | 1        |
| 13   | 2691199  | Liner Left                                       | 1        |
| 14   | 2626900  | Base Pan   | 1        |
| 15   | 2627000  | Back Panel                                       | 1        |
| 16   | 3008499  | Front Frame Assembly                             | 1        |
| 17   | 2697099  | Drawer Assembly                                  | 1        |
| 18   | 2627600  | Insulation, Back                                 | 1        |
| 19   | 2627601  | Insulation, Side                                 | 2        |
| 20   | 2627602  | Insulation, Top                                  | 1        |
| 21   | 2630800  | Heat Sink  | 1        |
| 22   | 2641900  | Stacking Support Bracket (Option)                | 4        |
| 23   | 2635400  | Foot, Plastic                                    | 4        |
| 24   | 2635500  | Handle   | 1        |
| 25   | 2638600  | Limit Thermostat                                 | 2        |
| 26   | 3008800  | P.I.D. Control                                   | 1        |
| 27   | 3008300  | Electromechanical Relay                          | 1        |
| 28   | 3008900  | Sensor, 3/16" S/S                                | 1        |
| 29   | 2638502  | Control Overlay                                  | 1        |
| 30   | 2639100  | Solid State Relay                                | 1        |
| 31   | 2639300  | Sensor, Bullet Type                              | 1        |
| 32   | 2639500  | Knob   | 1        |
| 33   | 3009700  | Handle Insert                                    | 1        |
| 34   | 2640100  | Acorn Nut -1/4-20 Locking Type                   | 4        |
| 35   | 2640200  | Retaining Clip                                   | 4        |
| 36   | 2640400  | Condensate Tray Slide                            | 1        |
| 37   | 2640500  | Condensate Tray                                  | 1        |
| 38   | 2631000  | Element 550W, 120V                               | 1        |
|      | 2631001  | Element 550W, 230V                               | 1        |
|      | 2631002  | Element 550W, 100V                               | 1        |
| 39   | 078162-1 | Perforated Pan 20"x 12" x 2-1/2" (Standard)      | 1        |
|      | 078162-2 | Perforated Pan 20"x 12" x 4" (Optional)          |          |
| 41   | 2652300  | Perforated Pan Divider (Optional)                |          |
| 42   | 3007000  | Component Support                                | 1        |
| 43   | 2630900  | Element 350W, 120V                               | 1        |
|      | 2630901  | Element 350W, 230V                               | 1        |
|      | 2630902  | Element 350W, 100V                               | 1        |

\* NOT ILLUSTRATED

#### **RECOMMENDED STOCK PARTS**

## GARLAND PARTS IDENTIFICATION

### Model PHD

#### Electric Product Holding Drawer

| ITEM | PART #    | DESCRIPTION                                   | QUANTITY |
|------|-----------|---|----------|
| 44   | 3009600   | Transformer 120/12V                           | 1        |
|      | 3009601   | Transformer 240/12V                           | 1        |
| 45   | 1028806   | Heyco Bushing 9/16" O.D X 3/8" I.D            | 1        |
| 46   | G220      | Rubber Grommet 1/4"                           | 1        |
| 47   | 4523398   | Power Cord 6FT 3/14GA 15AMP SJ00W             | 1        |
|      | 3010700   | UK Over Moulded Plug And Cord                 | 1        |
| 48   | G7236-1-6 | Tube Clamp                                    | 1        |
| 49   | 3004300   | Drip Tray                                     | 1        |
| 50   | 50069     | Sectional Terminal Block # 5125 (230V Option) | 3        |
| 51   | 50070     | Sectional Terminal End # 5130 (230V Option)   | 1        |
| 52*  | 3009599   | Wire Harness - Line Voltage                   | 1        |
|      | 3009596   | Wire Harness - Line Voltage, CE               | 1        |
| 53*  | 3009598   | Wire Harness - Temperature Limits             | 1        |
|      | 3009595   | Wire Harness - Temperature Limits, CE         | 1        |
| 54*  | 3009597   | Wire Harness - Control - Low Voltage          | 1        |

\* NOT ILLUSTRATED

**RECOMMENDED STOCK PARTS**

## GARLAND PARTS IDENTIFICATION

### Revision History

| REV. # | PAGE # | ITEM #          | NOTE  | DATE      |
|--------|--------|-----------------|---|-----------|
| 1      | 6      | 2,3             | New part number added - CE Version  | Jul 28/08 |
|        | 6      | 47,52,53,<br>54 | New part number added - CE Version  |           |
|        | 6      | 47              | New Part Number Added (4523398) – Was G2840-1<br>Cord & Plug Set 100V (120V Option) |           |

 **Garland**<sup>®</sup>