



***GARLAND INDUCTION UNIT MODELS***  
***INDUCTION UNITS***  
***5.0 & 5.5 KW MODELS***

**PARTS LIST**

Toll Free Phone, (US & Canada): (800) 427-6668

Toll Free Fax, (US & Canada): (800) 361-7745

<http://www.garland-group.com>





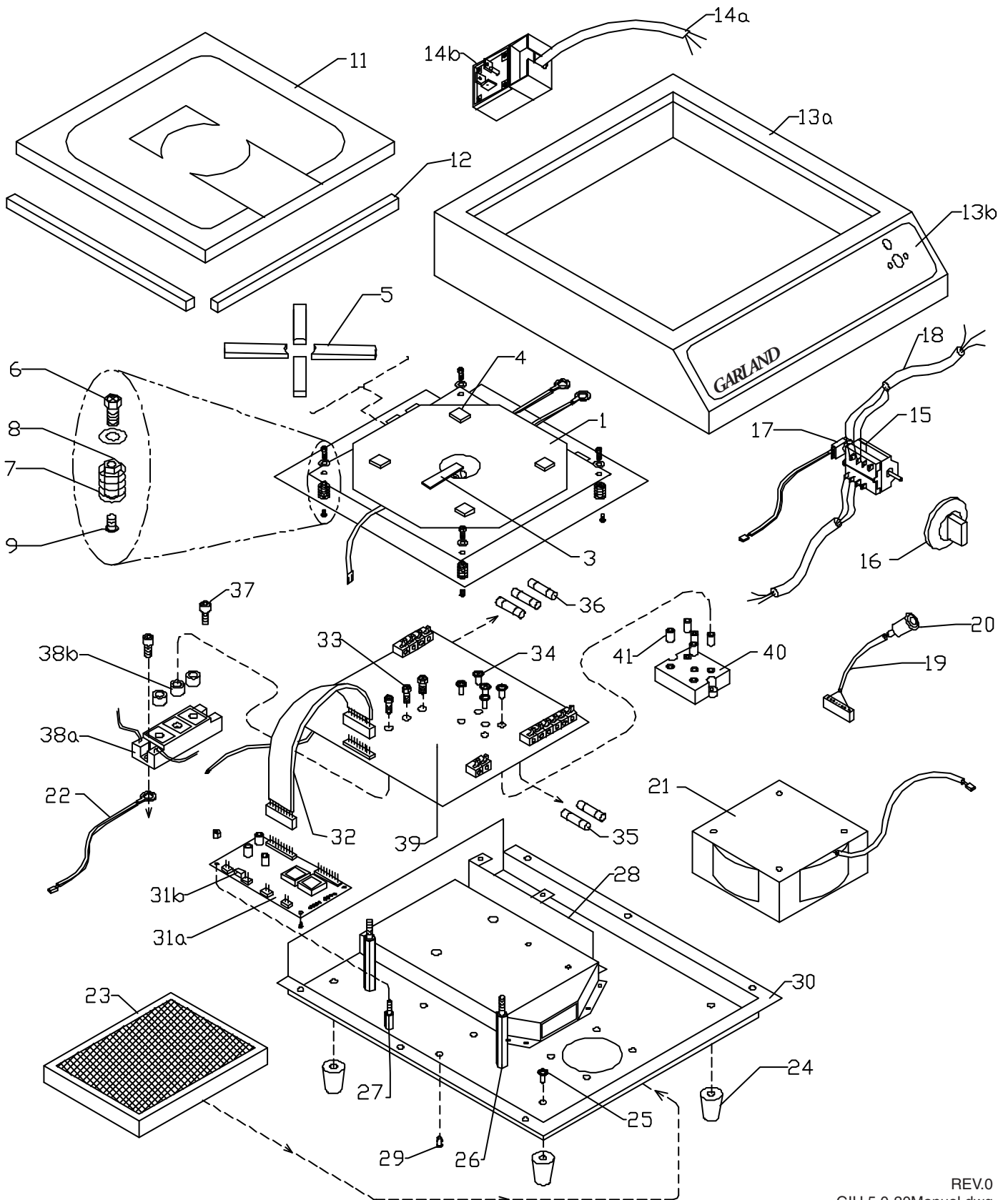
# ***GARLAND INDUCTION UNIT MODELS***

## ***INDUCTION UNITS***

### ***5.0 & 5.5 KW MODELS***

#### ***Contents:***

GIU 5.0Kw / 208Volts / 60Hz Manual Controls.....	Page 4
GI-WOK 5.0Kw / 208Volts / 60Hz Manual Controls.....	Page 6
GI-BI WOK 5.0Kw / 208Volts / 60Hz Manual Controls.....	Page 8
GIU 5.0Kw Dual / 208Volts / 60Hz Manual Controls .....	Page 12
GIU 5.0Kw Dual / 400Volts / 50Hz Manual Controls .....	Page 14
GIU 5.0Kw Dual / 440Volts / 60Hz Manual Controls .....	Page 16
GMIU 5.5Kw / 208Volts / 60Hz Digital Controls.....	Page 18
Revision History.....	Page 20

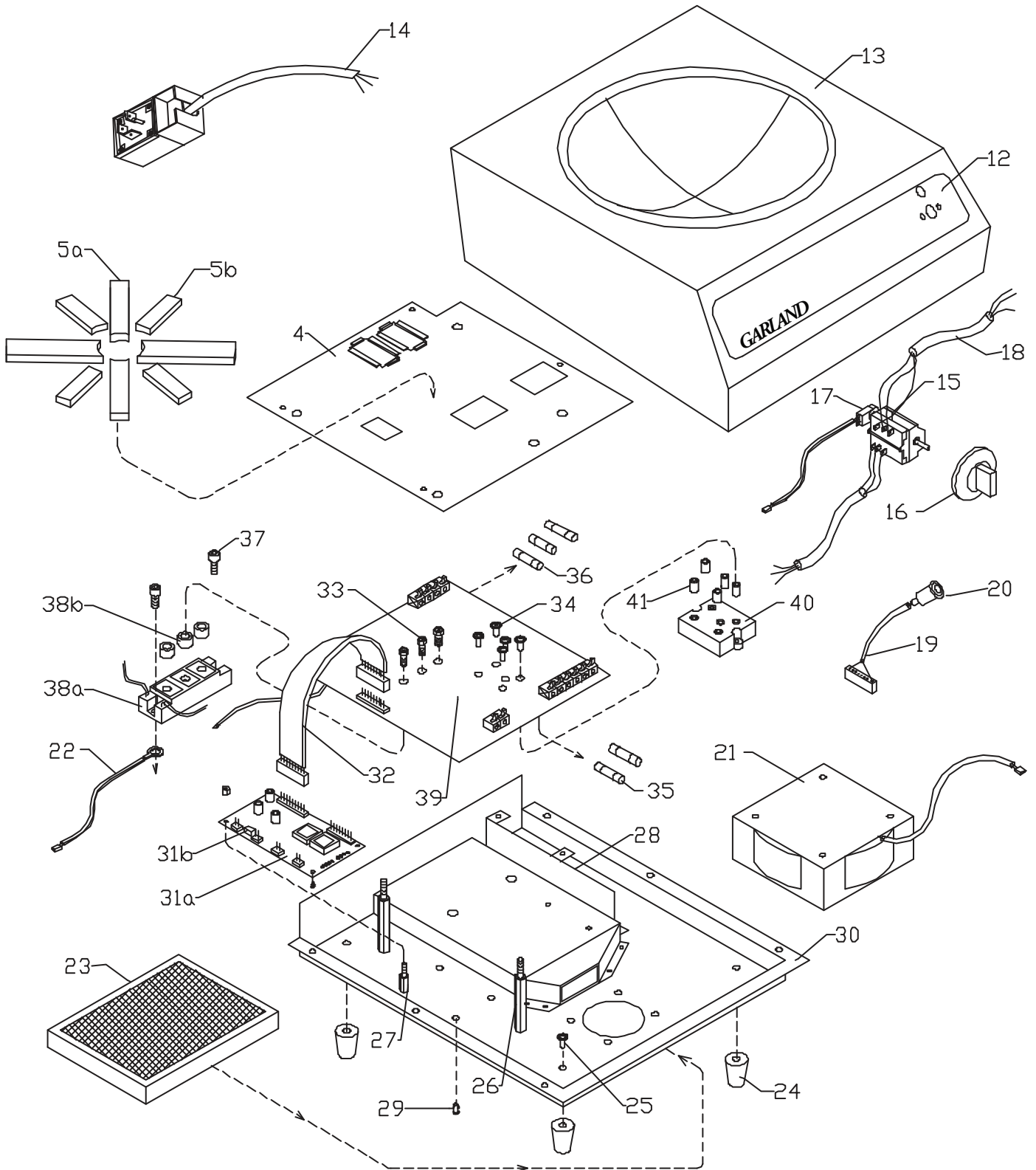


**GARLAND PARTS IDENTIFICATION**  
**GIU 5.0Kw / 208Volts / 60Hz Manual Controls**

ITEM	PART #	DESCRIPTION	QUANTITY
1	93003030	Coil (Inverter) 3.03 with PTC Sensor	1
3a	<b>94040010</b>	<b>PTC Sensor with Insulation And Plug Recommended to Replace along with Item 3b</b>	1
3b*	<b>70100005</b>	<b>Superwool Insulation - 1000C, 4mm</b>	
4	69000011	Spacer For Coil	4
5	30000010	Ferrit 110 mm	4
6	60595004	Screws M5 x 12	4
7	73000002	Coil Feather	4
8	65840001	Coil Pin	4
9	60528501	Plastic Screws For Coil M5x8	4
11	77322001	Ceran Glass 322Mm x 322Mm	1
12	70000002	Silicone Strips 305 x 6 x 4mm	4
13a	72185041	Case SH/BA	1
13b	3012601	Induction Overlay	1
14a	38625040	Main Cable	1
14b	32750400	Main Plug NEMA 15-20P	1
15	35100001	Main Switch 4 - Pins (without poti)	1
16	<b>39400004</b>	<b>Plastic Knob</b>	1
17	<b>94010002</b>	<b>Main Switch 4 - Pins with Poti Poti Not available by itself</b>	1
18	94900009	Wire For Mains Switch	2
19	94900002	Wire For LED 24V. /Green	1
20	<b>35624001</b>	<b>Front Indicator Lamp LED/24V/Green</b>	1
21	<b>39223001</b>	<b>Radial Fan 230 Vac</b>	1
22	<b>94040001</b>	<b>NTC Heatsink Temperature Sensor 20K</b>	1
23	<b>71000003</b>	<b>Grease Filter SH /MU</b>	1
24	72264010	Plastic Feet SH/MU	4
25	60595004	Screws M5 x 12	4
26	64070005	Pin M4x70mm	2
27	64070001	Pin M4x8mm	1
28	72116012	Side panel Alu	1
29	64070007	Logic PCB Spacer	3
30	72185036	Bottom Panel	1
31a	<b>98401800</b>	<b>Logic PCB W/Dip Switch Adjustment Dip Switch Position - (Switch #5 &amp; 7 ON all other switches OFF)</b>	1
31b	32050200	Jumper Not Included on New Logic Board	1
32	94900001	Logic-Power PCB Connector 10 Pins	1
33	60595004	Screws M5 x 12	3
34	<b>60595003</b>	<b>Rectifier Screws Power PCB M4x16</b>	4
35	<b>34110019</b>	<b>Fuse For Fan T1A 250V 5X20</b>	2
36	<b>34120209</b>	<b>Fuse T20A 250V 6.3X32</b>	3
37	60000301	IGBT Screws - Heatsink	2
38a	47301000	IGBT C5 Transistor Module	1
38b	65810002	Spacer For IGBT 10 x 2mm	3
39	91016180	Power PCB - SH/BA	1
40	<b>42403030</b>	<b>Rectifier, 3 Phase</b>	1
41	65810001	Spacer For Rectifier 8x8mm	4

\* NOT ILLUSTRATED

**RECOMMENDED STOCK PARTS**



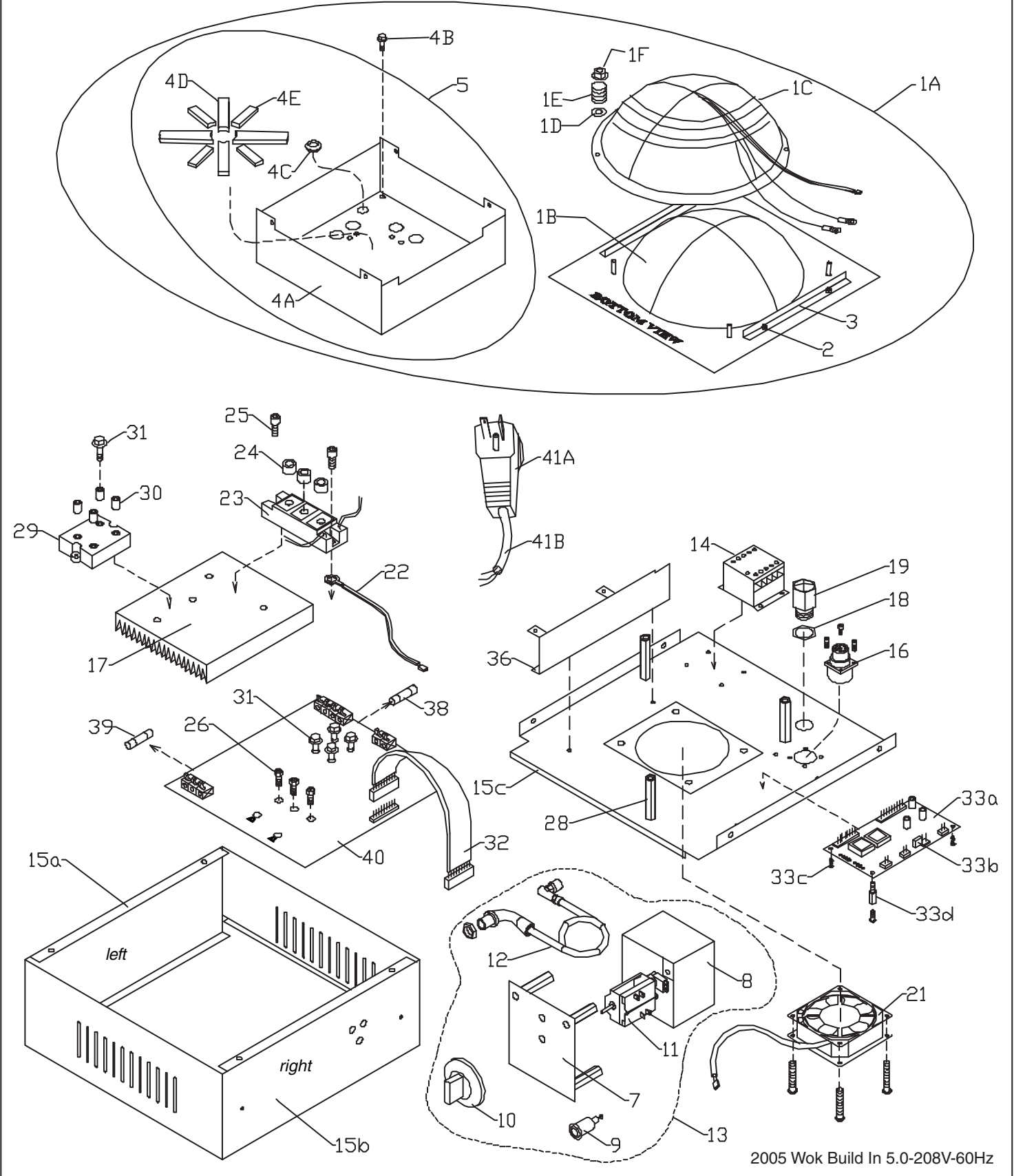
GI-Wok 5kW 3 Phase 208 60 Hz

**GARLAND PARTS IDENTIFICATION**  
**GI-WOK 5.0Kw / 208Volts / 60Hz Manual Controls**

ITEM	PART #	DESCRIPTION	QUANTITY
4	95115028	Metal Cover Sheet With Ferrites	
5A	30000010	Ferrit 110 mm	
5B	30000070	Ferrit 70 mm	
12	3012601	Induction Overlay	1
13	98300007	Case SH/WO With Coil #203.01, Main Switch, Poti and LED (Complete Assy.)	1
14	38625040	Main Cable	1
	32750400	Main Plug NEMA 15-20P	1
15	35100001	Main Switch 4 - Pins (without poti)	1
16	<b>39400004</b>	<b>Plastic Knob</b>	1
17	<b>94010002</b>	<b>Main Switch 4 - Pins with Poti</b> <b>Poti not available by itself</b>	1
18	94900009	Wire For Mains Switch	2
19	94900002	Wire For LED 24V. /Green	1
20	<b>35624001</b>	<b>Front Indicator Lamp LED/24V/Green</b>	1
21	<b>39223001</b>	<b>Radial Fan 230 Vac</b>	1
22	<b>94040001</b>	<b>NTC Heatsink Temperature Sensor 20K</b>	1
23	<b>71000003</b>	<b>Grease Filter SH /MU</b>	1
24	72264010	Plastic Feet SH/MU	4
25	60595004	Screws M5 x 12	4
26	64070005	Pin M4x70mm	2
27	64070001	Pin M4x8mm	1
28	72116012	Side panel Alu	1
29	64070007	Logic PCB Spacer	3
30	72185036	Bottom Panel	1
31a	<b>98401800</b>	<b>Logic PCB W/Dip Switch Adjustment</b> <b>Dip Switch Position - (Switch #5, 6 &amp; 7 ON all other switches OFF)</b>	1
31b	32050200	Jumper Not Included On New Logic Board	1
32	94900001	Logic-Power PCB Connector 10 Pins	1
33	60595004	Screws M5 x 12	3
34	<b>60595003</b>	<b>Rectifier Screws Power PCB M4x16</b>	4
35	<b>34110019</b>	<b>Fuse For Fan T1A 250V 5X20</b>	2
36	<b>34120209</b>	<b>Fuse T20A 250V 6.3x32</b>	3
37	60000301	IGBT Screws - Heatsink	1
38a	47301000	IGBT C5 Transistor Module	1
38b	65810002	Spacer For IGBT 10 x 2mm	3
39	91016180	Power PCB - SH/BA	1
40	<b>42403030</b>	<b>Rectifier, 3 Phase</b>	1
41	65810001	Spacer For Rectifier 8x8mm	4

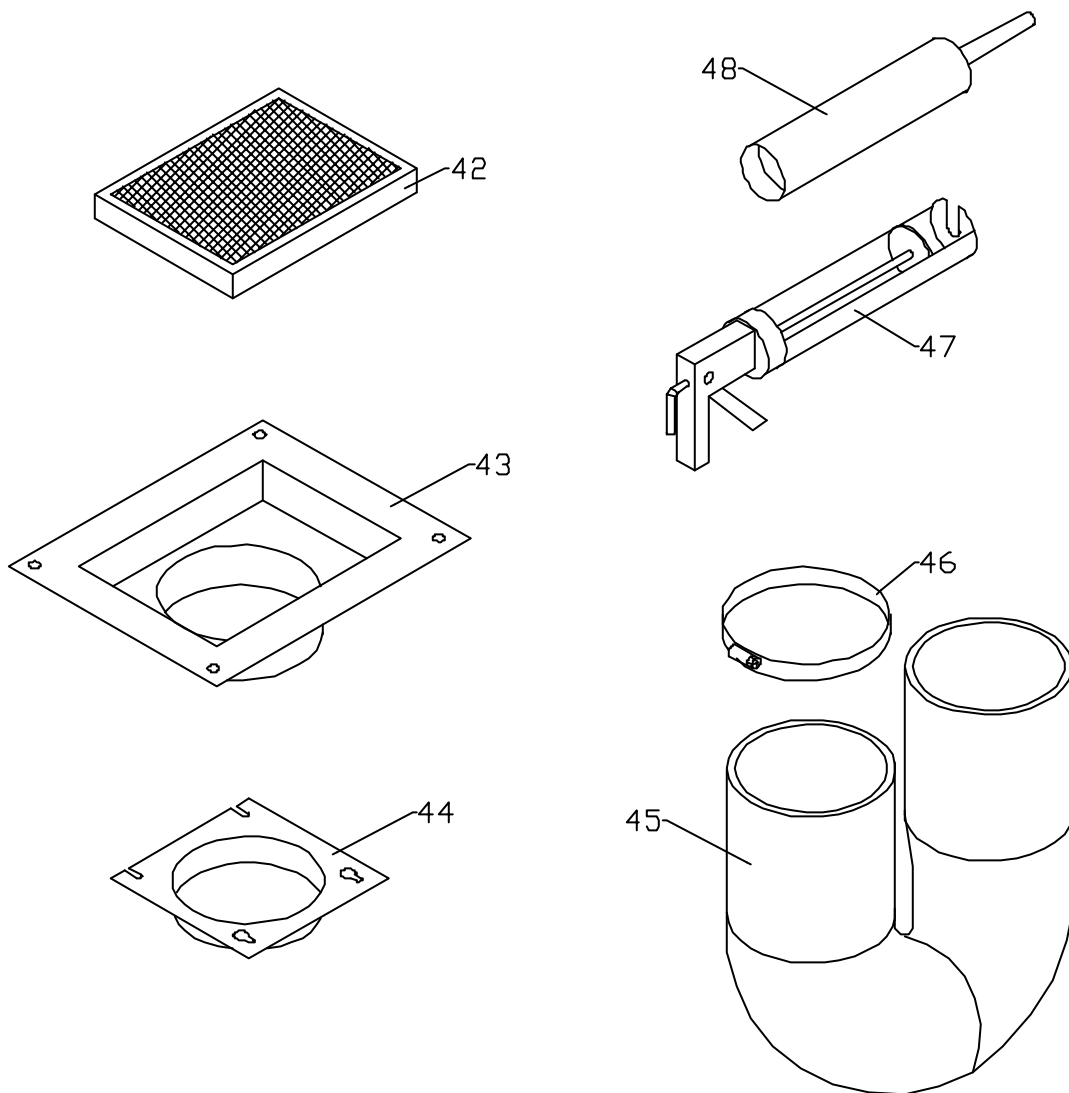
\* NOT ILLUSTRATED

**RECOMMENDED STOCK PARTS**





BUILT IN UNITS MUST HAVE ACCESSORIES INSTALLED



Wok Build In 5.0

**GARLAND PARTS IDENTIFICATION**  
**Built In GIU 5.0kw/208volts/60Hz Manual Controls**

ITEM	PART #	DESCRIPTION	QUANTITY
1A	95000034	Bowl Assembly 5.0kW	1
1B	98300112	Ceran Wok Glass Assembly	1
1C	93203011	Coil Wok-induction With Carrier 5.0kW	1
1D	60056702	Washer	4
1E	73000004	Compression Spring	4
1F	60678301	Nut	4
2	60016103	Nut M5	4
3	7214121	Angle Bar	2
4A	72282191	Connection Covering (Aluminum Box Only)	1
4B	60595002	Screws M4x 8	3
4C	69000013	Rubber Ring	1
4D	30000110	Ferrit 110mm	4
4E	30000070	Ferrit 70 mm	4
5	95282191	Shielding Plate Assembly Included Items: 4A, 4C, 4D, 4E,	1
7	72244100	Front Panel BH / IN	1
8	72282180	Panel Box	1
9	<b>35624001</b>	<b>Front Indicator Lamp LED/24V/green</b>	1
10	<b>39400001</b>	<b>Plastic Knob 0-12</b>	1
11	<b>94010000</b>	<b>Main Power Switch W/Poti (Option)</b>	1
	35100000	Mains Power Switch - 2 Pins (Without Poti)	1
12	32950902	Harness	1
13	94030004	Assembly Control Kit Included Items: 6, 7, 8, 9, 10, 11 & 12	1
14	35500004	Contactora K 1-09D10	1
15A	72248062	Side Cover Sheet	1
15B	72248140	Bottom Side Panel R	1
15C	72250191	Bottom Panel	1
16	32960901	Female Plug	1
17	33143011	Heatsink	1
18	39500003	Screw Nut PG 16	1
19	39500009	Screwed Cable Gland PG 16	1
21	<b>39223022</b>	<b>Axial Fan 230VAC</b>	1
22	<b>94040001</b>	<b>NTC Heatsink Temperature Sensor 20k</b>	1
23	<b>47301000</b>	<b>IGBT C5 Transistor Module</b>	1
24	65810002	Spacer For IGBT 10x 2mm	3
25	60000301	IGBT Screws - Heatsink	2
26	60595004	Screws M5 X 12	3
28	64070004	Spacer M4 X 57	3
29	42403030	Rectifier, 3 Phase	1
30	65810001	Spacer For Rectifier 8x8mm	4
31	60595003	Rectifier Screws Power PCB M4x16	4
32	94900001	Logic-power PCB Connector 10 Pins	1
33A	<b>98401800</b>	<b>Logic PCB W/Dip Switch Adjstment Dip Switch Position - (Switch # 6 &amp; 7 On, All Other Switches Off)</b>	1
33B	32050200	Jumper – Not Included On New Logic Board	1
33C	64070007	Logic PCB Spacer	3
33D	64070001	Pin M4x8mm	1
36	72116012	Side Panel Alu	1
38	<b>34110019</b>	<b>Fuse For Fan T1A 250v 5x20</b>	1
39A	<b>34120209</b>	<b>Fuse T20A 250v 6.3x32 Applicable For Power Board With One Fuse Holder Only</b>	1
39B	<b>34120109</b>	<b>Fuse T10A 250v Applicable For New Power Board Only (2 Fuse Holders)</b>	2

\* NOT ILLUSTRATED

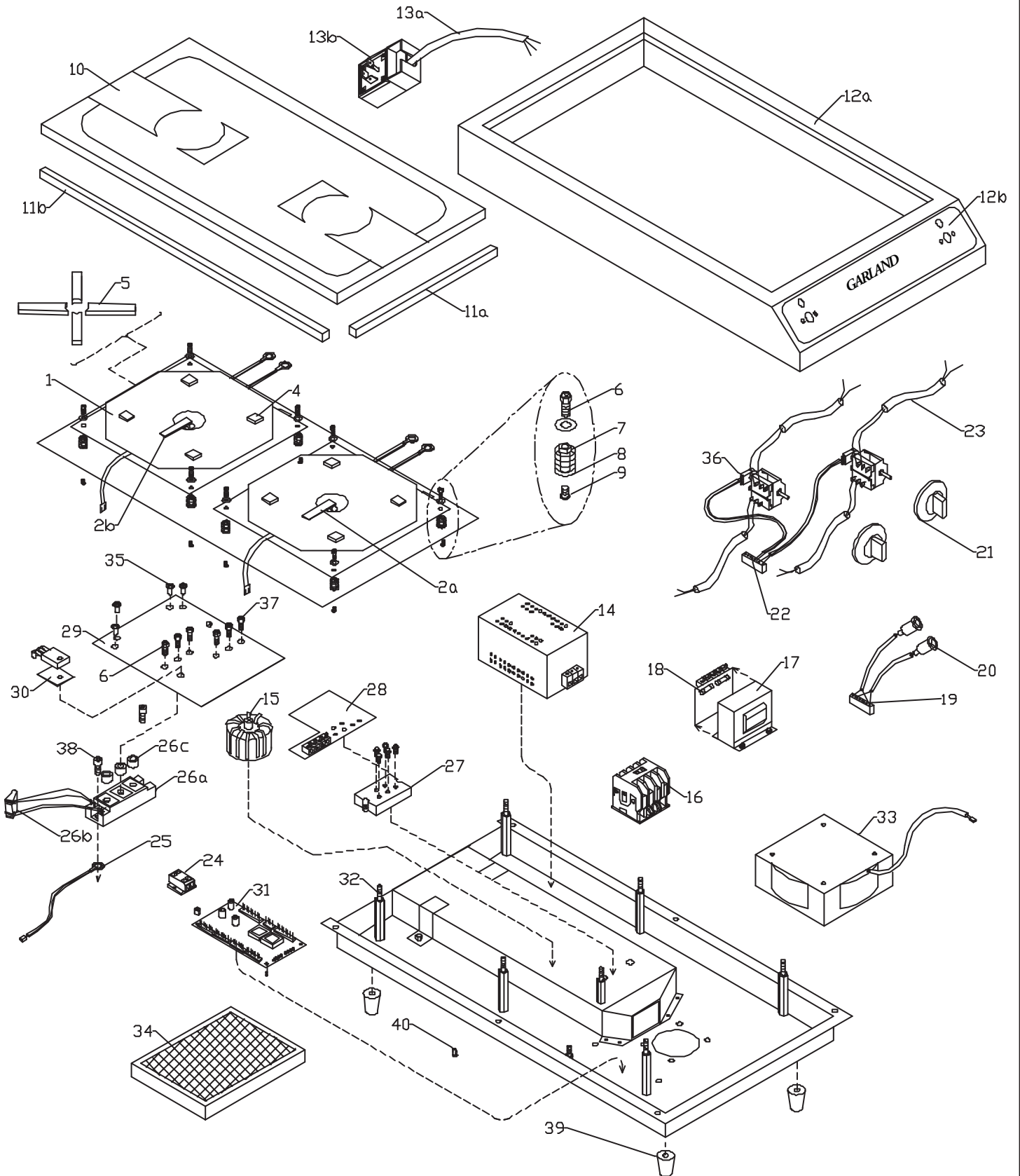
**RECOMMENDED STOCK PARTS**

**GARLAND PARTS IDENTIFICATION**  
**Built In GIU 5.0kw/208volts/60Hz Manual Controls**

<b>ITEM</b>	<b>PART #</b>	<b>DESCRIPTION</b>	<b>QUANTITY</b>
40	91016180	Power PCB (Power Control Board) - SH/BA	1
41A	32750400	Main Plug Nema 15-20P	1
41B	38625040	Main Cable	
42	<b>71000003</b>	<b>Grease Filter SH /MU</b>	1
43	72183091	Grease Filter Holder	1
44	72263020	Air Conductor Holder	1
45	76000001	Air Conductor Alu	1
46	76000002	Connector Sola	2
47	76000003	Pistol For Silicone Glue	1
48	70000015	Silicone Glue PACTAN 7076	1

\* NOT ILLUSTRATED

**RECOMMENDED STOCK PARTS**

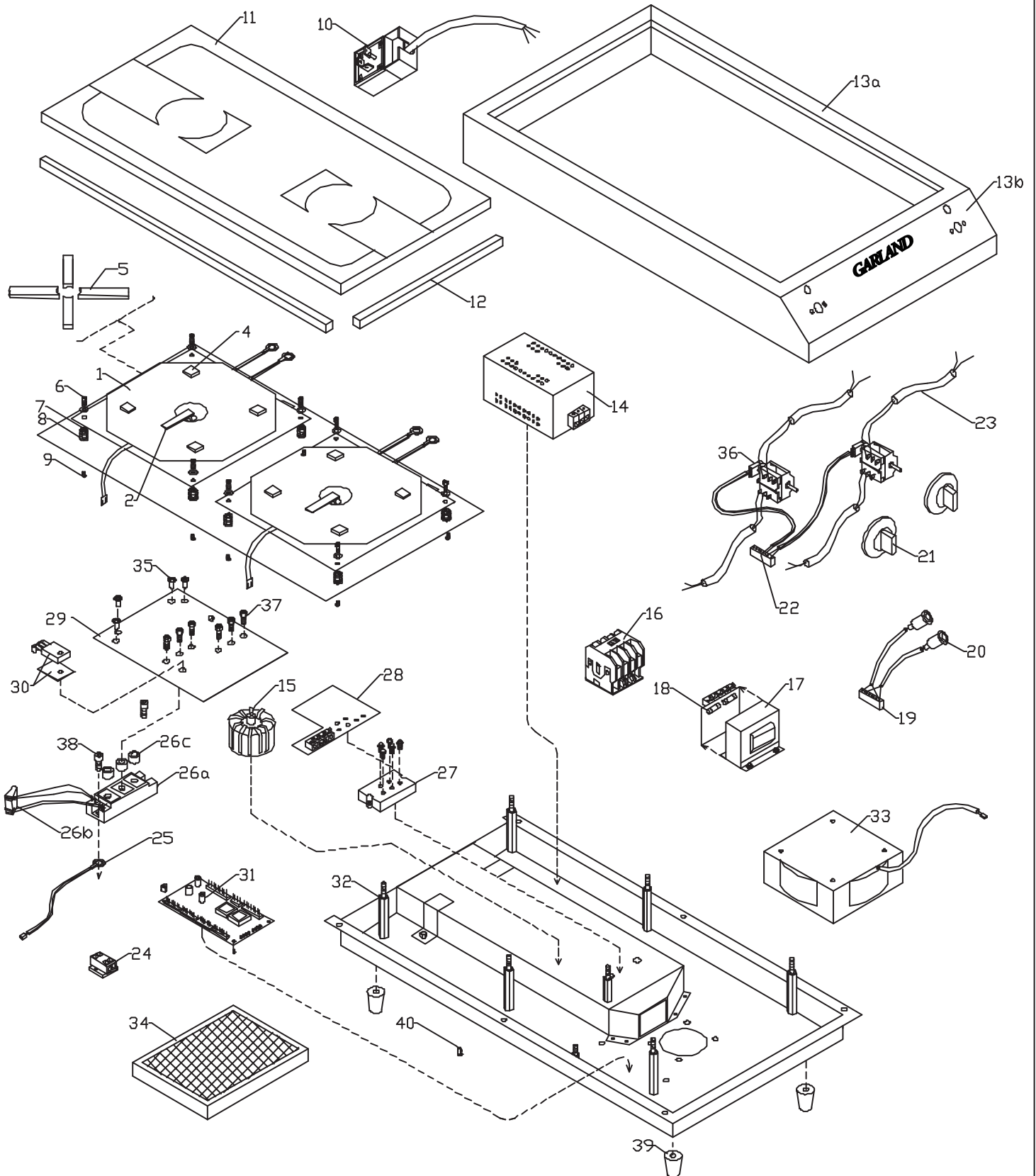


**GARLAND PARTS IDENTIFICATION**  
**GIU 5.0Kw Dual / 208Volts / 60Hz Manual Controls**

ITEM	PART #	DESCRIPTION	QUANTITY
1	93005020	Coil (Inverter) 5.02 With PTC Sensor	1
2a	<b>12231100a</b>	<b>PTC Sensor 1K Recom to Replace along with Item 2c</b>	1
2b	<b>12231100b</b>	<b>PTC Sensor 1K (Rear Sensor) Recom to Replace along with Item 2c</b>	1
2c*	<b>70100005</b>	<b>Superwool Insulation - 1000C, 4mm</b>	
4	69000011	Spacer For Coil	8
5	30000010	Ferrit 110 mm	8
6	60595004	Screws M5 x 12	14
7	65840001	Coil Pin	8
8	73000001	Coil Feather	8
9	60528501	Plastic Screws For Coil M5X8	8
10	77325801	Ceran Glass 320mmx580mm	1
11a	70000002	Silicone Strips 305 x 6 x 4mm	2
11b	70000003	Silicone Stripe 565 x 6 x4 mm	2
12a	72185063	Case SH/DU/BA	1
12b	3012602	Overlay 14-1/2" x 3" (2 Knobs)	1
13a	38683040	Main Cable	1
13b	32750402	Main Plug NEMA 15-50P	1
14	39333002	Mains Filter FFU 3x30-STH	1
15	30305001	Filter Coil 50uH / 50A	1
16	35500005	Contactora K2 -12A10-(Coil- 230V)	1
17	98000038	Supply Transformer 208 - 230/24 with Fuses PCB	1
18	<b>34110019</b>	<b>Fuse For Fan T1A 250V 5X20</b>	2
19	94900017	Wire For LED - field 1	1
	94900018	Wire For LED - field 2	1
20	<b>35624001</b>	<b>Front Indicator Lamp LED/24V/Green</b>	2
21	<b>39400001</b>	<b>Plastic Knob 0-12</b>	2
22	94900015	Wire For Potentiometer- Field 1	1
	94900016	Wire For Potentiometer- Field 2	1
23	38107000	Contactora Igniton Wire 0,75mm	1
24	32140203	Connector 2 Pins 4mm	1
25	<b>94040002</b>	<b>NTC Heatsink Temp. Sensor - Field 1</b>	1
	<b>94040003</b>	<b>NTC Heatsink Temp. Sensor - Field 2</b>	1
26a	47301000	IGBT C5 Transistor Module	1
26b	94900011	Transistor Cable With Plug - Field 1	1
	94900012	Transistor Cable With Plug - Field 2	1
26c	65810002	Spacer For IGBT 10X 2mm	3
27	42506230	Rectifier 3 Phase	1
28	91014030	Rectifier PCB	1
29	91026160	Power PCB Dual 2x3,5kW / 208V	1
30	70100003	Ceramic insulation for small transistors 17 x 24 mm !! - very important	1
31	<b>98401801</b>	<b>Logic PCB W/DIP switch adjustment</b> <b>Dip Switch Position - (Switch # 7 ON all other switches OFF)</b>	1
32	64070006	Bottom Panel Pin M4x 92	5
33	<b>39223001</b>	<b>Radial Fan 230 Vac</b>	1
34	<b>71000003</b>	<b>Grease Filter SH /MU</b>	1
35	M4X 8 coil screws	Screws M4X 8	
36	<b>94010000</b>	<b>Main Power Switch W/Poti (Option)</b>	2
37	60595004	Screws M5 x 12	3
38	60000301	IGBT Screws - Heatsink	2
39	72264010	Plastic Feet SH/MU	4
40	64070007	Logic PCB Spacer	3

\* NOT ILLUSTRATED

**RECOMMENDED STOCK PARTS**



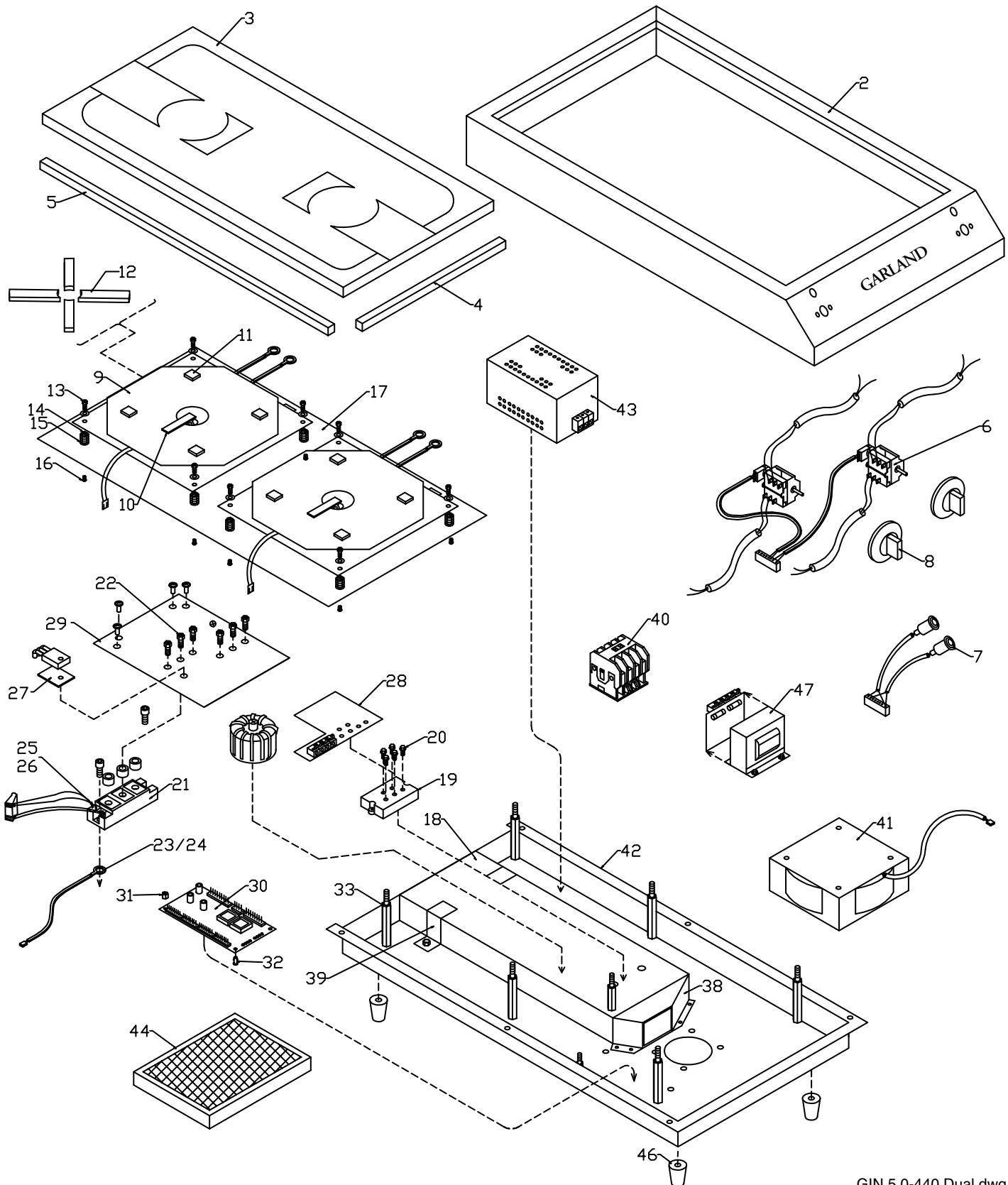
GIN 5.0-400 Dual.dwg

**GARLAND PARTS IDENTIFICATION**  
**GIU 5.0Kw Dual / 400Volts / 50Hz Manual Controls**

ITEM	PART #	DESCRIPTION	QUANTITY
1	93017050	Coil (Inverter) 17.05 With PTC Sensor	1
<b>2a</b>	<b>12231100a</b>	<b>PTC Sensor 1K Recom to Replace along with Item 2c</b>	1
<b>2b</b>	<b>12231100b</b>	<b>PTC Sensor 1K (Rear Sensor) Recom to Replace along with Item 2c</b>	1
<b>2c*</b>	<b>70100005</b>	<b>Superwool Insulation - 1000C, 4mm</b>	
4	69000011	Spacer For Coil	8
5	30000010	Ferrit 110 mm	8
6	60595004	Screws M5 x 12	14
7	65840001	Coil Pin	8
8	73000002	Coil Feather	8
9	60528501	Plastic Screws For Coil M5x8	8
10	38683040	Main Cable	1
	32750402	Main Plug NEMA 15-50P	
11	77325801	Ceran Glass 320mmx580mm	1
12a	70000002	Silicone Strips 305 x 6 x 4mm	2
12b	70000003	Silicone Stripe 565 x 6 x4 mm	2
13a	72185063	Case SH/DU/BA	1
13b	3012602	Overlay 14-1/2" x 3" (2 Knobs)	1
14	39331601	Main Filter Ffu 3X16B-STH	1
15	30305001	Filter Coil 50uH / 50A	1
16	35500005	Contactora K2 -12A10-(Coil- 230V)	1
17	98000010	Supply Transformer 400 - 230/24 with Fuses PCB	1
18	<b>34110019</b>	<b>Fuse For Fan T1A 250V 5x20 (10 Pieces)</b>	2
19	94900017	Wire For LED - field 1	1
	94900018	Wire For LED - field 2	1
20	<b>35624001</b>	<b>Front Indicator Lamp LED/24V/Green</b>	2
21	<b>39400001</b>	<b>Plastic Knob 0-12</b>	2
22	94900015	Wire For Potentiometer- Field 1	1
	94900016	Wire For Potentiometer- Field 2	
23	38107000	Contactora Ignition Wire 0,75mm	1
24	32140203	Connector 2 Pins 4mm	1
25	<b>94040002</b>	<b>NTC Heatsink Temp. Sensor - Field 1</b>	1
	<b>94040003</b>	<b>NTC Heatsink Temp. Sensor - Field 2</b>	1
26a	47400750	Transistor Module C1	1
26b	94900011	Transistor Cable With Plug - Field 1	1
	94900012	Transistor Cable With Plug - Field 2	1
26c	65810002	Spacer For IGBT 10X 2mm	3
27	42506230	Rectifier 3 Phase	1
28	91014030	Rectifier PCB	1
29	91026140	Power PCB Dual 2x5.0kW / 400V / 50Hz	1
30	70100003	Ceramic Insulation For Small Transistors 17 x 24 Mm - Very Important	1
31	<b>98401801</b>	<b>Logic PCB W/DIP Switch Adjustment</b> <b>Dip Switch Position - (Switch # 5 &amp; 7 ON all other switches OFF)</b>	1
32	64070006	Bottom Panel Pin M4x 92	5
33	<b>39223001</b>	<b>Radial Fan 230 Vac</b>	1
34	<b>71000003</b>	<b>Grease Filter SH /MU</b>	1
35	M4X 8 coil screws	Screws M4x 8	
36	<b>94010000</b>	<b>Main Power Switch W/Poti (Option)</b>	2
37	60595004	Screws M5 x 12	3
38	60000301	IGBT Screws - Heatsink	2
39	72264010	Plastic Feet SH/MU	4
40	64070007	Logic PCB Spacer	3

\* NOT ILLUSTRATED

**RECOMMENDED STOCK PARTS**



GIN 5.0-440 Dual.dwg

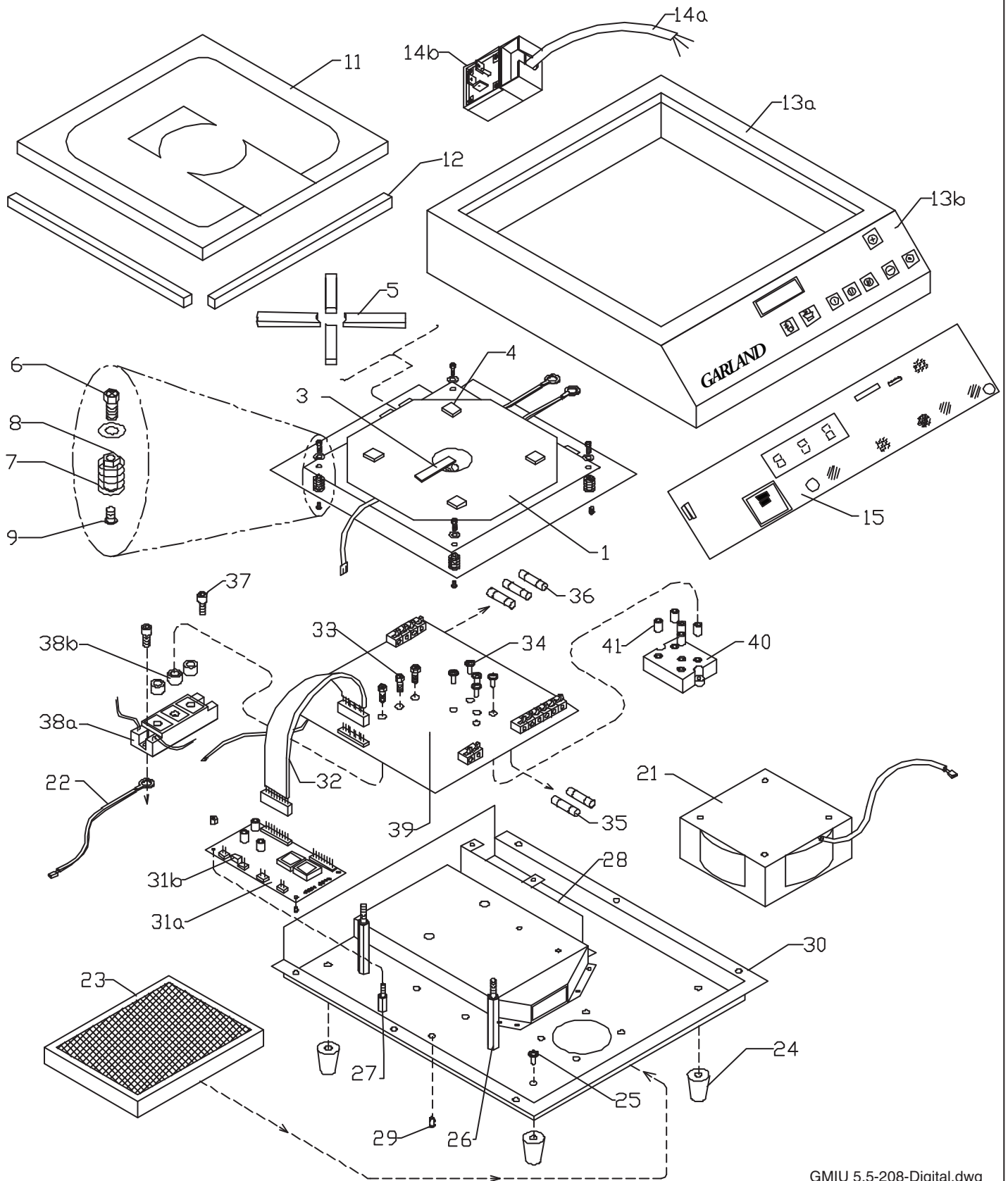


**GARLAND PARTS IDENTIFICATION**  
**GIU 5.0Kw Dual / 440Volts / 60Hz Manual Controls**

ITEM	PART #	DESCRIPTION	QUANTITY
1*	98300009	Complete Upper Case Part (Included: 2, 3, 4, 5, 6, 8)	1
2	72185063	Case SH/DU/BA	1
3	77325801	Ceran Glass 320mmx580mm	1
4	70000002	Silicone Strips 305 x 6 x 4mm	2
5	70000003	Silicone Stripe 565 x 6 x4 mm	2
6	<b>94010000</b>	<b>Main Power Switch W/Poti (Option)</b>	2
7	35624001	Front Indicator Lamp LED/24V/Green	2
8	39400001	Plastic Knob 0-12	2
9	93017050	Coil (Inverter) 17.05 With PTC Sensor	2
10	<b>12231100</b>	<b>Coil Sensing Element PTC</b>	2
11	69000011	Spacer For Coil	8
12	30000110	Ferrit 110mm	8
13	60595004	Screws M5 x 12	8
14	73000002	Coil Feather	8
15	65840002	Compression Spring 1.1x13.6x45.7	8
16	60528501	Plastic Screws For Coil M5X8	8
17	72115033	Coil Carrier Sheet Dual	1
18	33147030	Heat Sink Dual-Base	1
19	42506230	Rectifier 3 Phase	1
20	95000006	Screws for Rectifier Dual	5
21	<b>47400750</b>	<b>Transistor Module C1</b>	2
22	95000007	Screws for IGBT	6
23	<b>94040002</b>	<b>NTC Heatsink Temp. Sensor – Field 1</b>	1
24	<b>94040003</b>	<b>NTC Heatsink Temp. Sensor – Field 2</b>	1
25	94900011	Transistor Cable With Plug - Field 1	1
26	94900012	Transistor Cable With Plug - Field 2	1
27	70100003	Ceramic Insulation For Small Transistors 17 X 24 Mm - Very Important	1
28	91014040	Rectifier Print Dual-Base 440V	1
29	91026191	Power Board Dual 440V	1
30	98401801	Logic PCB W/DIP Switch Adjustment	1
31	60332101	Spacer M3x6	1
32	64070007	Logic PCB Spacer	1
33	64070006	Bottom Panel Pin M4x 92	5
34*	39500004	Hexagon Nut PG 21	1
35*	39500011	Cable Gland PG21	1
36*	38625041	Mains Cable VDE 4x2.5mm <sup>2</sup>	1
37*	3012602	Overlay 14-1/2" x 3" (2 Knobs)	1
38	72142024	Air Duct Dual	1
39	72210090	Tension Angle Dual	1
40	35500005	Contactors K2 –12A10-(Coil- 230V)	1
41	<b>39223001</b>	<b>Radial Fan 230 Vac</b>	1
42	72185075	Bottom Sheet Dual-Base	1
43	39331601	Main Filter Ffu 3X16B-STH	1
44	71000003	Grease Filter SH /MU	1
45*	72261022	Grease Filter Frame	1
46	72264010	Plastic Feet SH/MU	1
47	98000046	Transformer with Print 440V	1

\* NOT ILLUSTRATED

**RECOMMENDED STOCK PARTS**



GMIU 5.5-208-Digital.dwg

**GARLAND PARTS IDENTIFICATION**  
**GIU 5.5Kw / 208Volts / 60Hz Digital Controls**

ITEM	PART #	DESCRIPTION	QUANTITY
1	93003030	Coil (Inverter) 3.03 with PTC Sensor	1
3a	<b>94040010</b>	<b>PTC Sensor with Insulation And Plug Recommended to Replace along with Item 3b</b>	1
3b*	<b>70100005</b>	<b>Superwool Insulation - 1000C, 4mm</b>	
4	69000011	Spacer For Coil	4
5	30000010	Ferrit 110 mm	4
6	60595004	Screws M5 x 12	4
7	73000001	Coil Feather	4
8	65840001	Coil Pin	4
9	60528501	Plastic Screws For Coil M5X8	4
11	77322001	Ceran Glass 322Mm x 322Mm	1
12	70000002	Silicone Strips 305 x 6 x 4mm	4
13a	72185081	Case SH/MU	1
13b	3012603	Overlay 14-1/2" x 3" (Digital Display)	1
14a	38625040	Main Cable	1
14b	32750400	Main Plug NEMA 15-20P	1
15	<b>98403300</b>	<b>Keyboard PCB (W/Fahrenheit (°F) Adjustment)</b>	1
21	<b>39223001</b>	<b>Radial Fan 230 Vac</b>	1
22	<b>94040001</b>	<b>NTC Heatsink Temperature Sensor 20K</b>	1
23	<b>71000003</b>	<b>Grease Filter SH /MU</b>	1
24	72264010	Plastic Feet SH/MU	4
25	60595004	Screws M5 x 12	4
26	64070005	Pin M4x70mm	2
27	64070001	Pin M4x8mm	1
28	72116012	Side Panel Alu	1
29	64070007	Logic PCB Spacer	3
30	72185036	Bottom Panel	1
31a	<b>98401802</b>	<b>Logic PCB W/Dip Switch Adjstment Dip Switch Position - (Switch # 5 &amp; 7 ON all other switches OFF)</b>	1
31b	32050200	Jumper Not Included On New Logic Board	1
32	94900001	Logic-Power PCB Connector 10 Pins	1
33	60595004	Screws M5 x 12	3
34	60595003	Rectifier Screws Power PCB M4x16	5
35	<b>34110019</b>	<b>Fuse For Fan T1A 250V 5X20</b>	2
36	<b>34120209</b>	<b>Fuse T20A 250V 6.3X32</b>	3
37	60000301	IGBT Screws - Heatsink	2
38a	<b>47301000</b>	<b>IGBT C5 Transistor Module</b>	1
38b	65810002	Spacer For IGBT 10X 2mm	3
39	91016180	Power PCB - SH/BA	1
40	<b>42403030</b>	<b>Rectifier, 3 Phase</b>	1
41	65810001	Spacer For Rectifier 8x8mm	5

\* NOT ILLUSTRATED

**RECOMMENDED STOCK PARTS**

## GARLAND PARTS IDENTIFICATION

### Revision History

REV. #	PAGE #	ITEM #	NOTE	DATE
1	12,13		GMIU-5.0Kw-440Volts Added	Jun 4/04
	10	12A, 12B	12B Added to drawing, 12 changed to 12A	
			Entire Book Reformatted	
2	8, 9, 10, 11		New Model Added – BUILT IN GIU 5.0 kW/208Volts/60 Hz	Sep 12/05
3	8	1A	New Drawing – More Parts Added To Kit Item 1A	Nov 1/05
	12	13a	Ballon Number Added	
	14		Error In Ballon #4 – Was 3	
4	Index		New Index - Models misspelled	Feb 12/08

## ***NOTES***

## ***NOTES***

## ***NOTES***

 **Garland**<sup>®</sup>