



GARLAND INDUCTION UNIT MODELS

GIU-2.5-208 Volts-60Hz-MANUAL CONTROLS

GIU-BUILT IN 2.5Kw-240 Volts-60Hz-MANUAL CONTROLS

PARTS LIST

Toll Free Phone, (US & Canada): (800) 427-6668

Toll Free Fax, (US & Canada): (800) 361-7745

<http://www.garland-group.com>



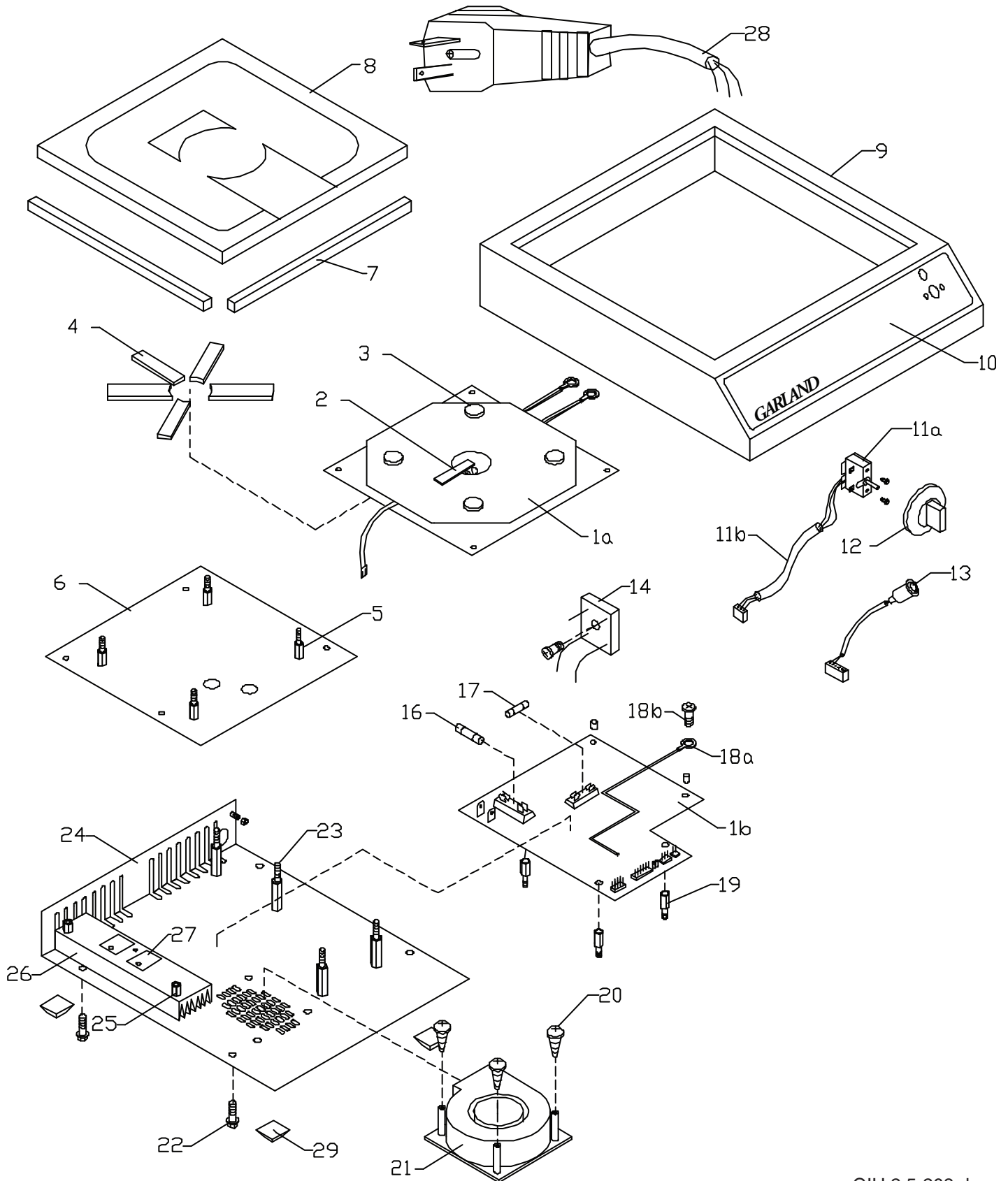
GARLAND INDUCTION UNIT MODELS

GIU-2.5-208 Volts-60Hz-MANUAL CONTROLS

GIU-BUILT IN 2.5Kw-240 Volts-60Hz-MANUAL CONTROLS

Contents:

GIU-2.5Kw-208 Volts 60 Hz Manual Control	Page 4
GIU-2.5Kw-240 Volts 60Hz Manual Control	Page 6
GIU-2.5Kw-208 Volts 60Hz Built In (#IN02.0015.0102)	Page 8
GIU-2.5Kw-208 Volts 60Hz Built In (#IN02.0016.0102)	Page 11
Recomended Stock Parts	Page 14
Digital Photo	Page 15
Recommended Stock List.....	Page 16
Revision History.....	Page 17



GIU 2.5-208.dwg

GARLAND PARTS IDENTIFICATION

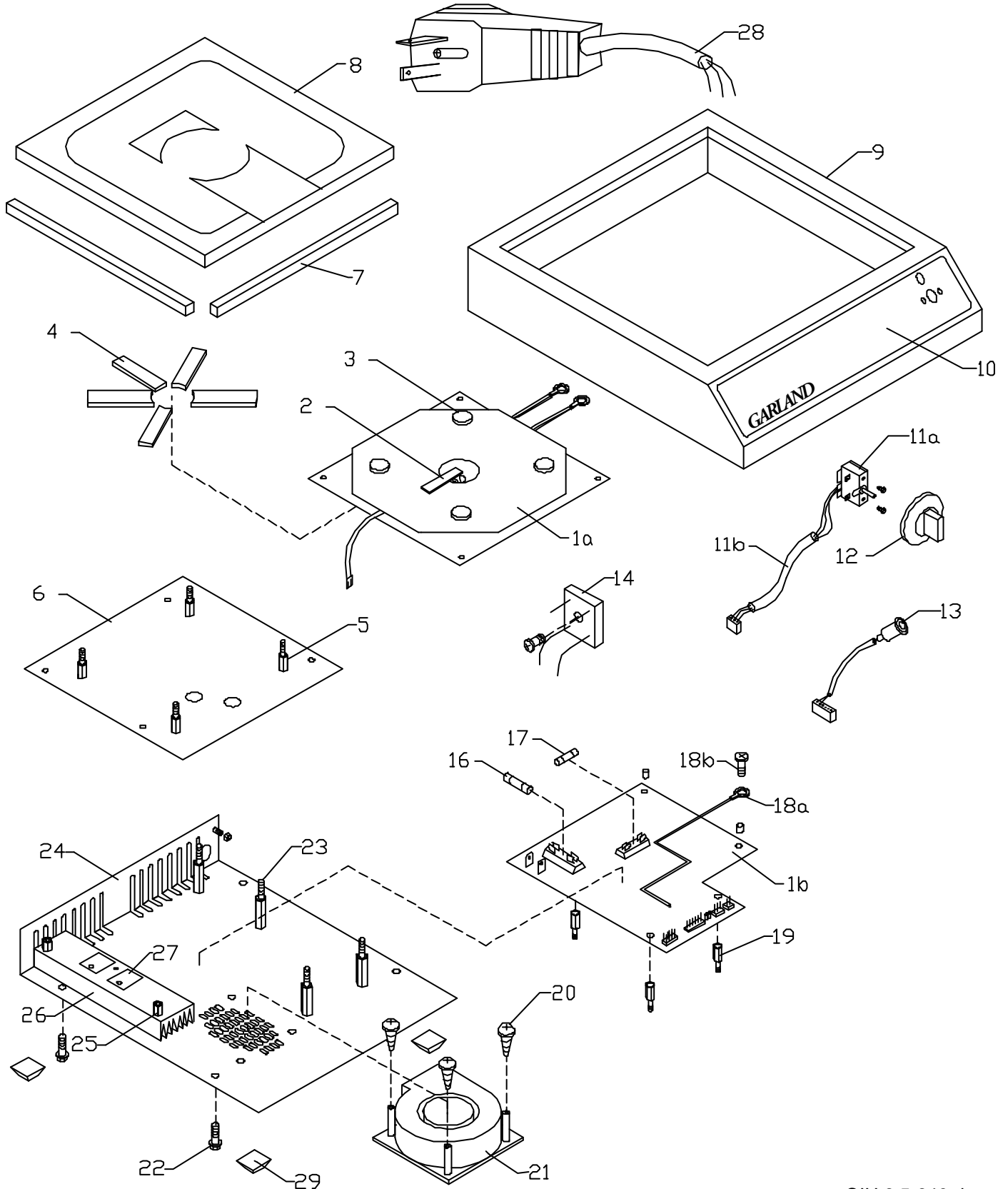
GIU-2.5Kw-208 Volts-60Hz

Manual Controls

ITEM	PART #	DESCRIPTION	QUANTITY
1a	93030010	Coil (Inverter) 30.01 With PTC Sensor	1
1b	98402700	Power Board + Logic Board 2.5Kw (Specify Voltage) Use 98000001	1
2	94040010	PTC Sensor With Insulation And Plug	1
3	69000010	Spacer For Coil	4
4	30000070	Ferrit 70 mm	5
5	64070002	M4 X 10 Pin	4
6	72154014	Coil Holder Alu-sheet	1
7	70000002	Silicon Strips 305 x 6 x 4mm	4
8	77262001	Ceran Glass 262 x 262 x 4mm	1
9	72184020	Case BH/BA	1
10	3012600	Over Lay 12-1/2" x 3"	1
11a	35100002	9 Level Switch	1
11b	94900006	Wire For Mains Switch	1
12	39400004	Plastic Knob	1
13	35605001	Front Indicator Lamp LED/5V/Green	1
14	42402510	Rectifier, 1-Phase	1
16	34120209	Fuse T20A 250V 6.3X32(10 Pieces)	1
17	34110019	Fuse For Fan T1A 250V 5X20(10 Pieces)	1
18a	12122200	NTC Heatsink Temperature Sensor	1
18b	60595002	Screws M4X8	1
19	64070001	Pin M4x8mm	2
20	60099401	Screws For Fan 4.8 x 13	3
21	39202401	Fan 24V DC	1
22	60595002	Screws M4X 8	4
23	60332102	M4 x 35 Pin	1
24	72184011	Bottom Panel	1
25	64070008	Plastic Pin M4x15	1
26	33153031	Heatsink BH	1
27	70100002	Ceramic Insulation for IGBT Transistors	2
28	38610030	Main Cable With Connector	1
29	71000001	Plastic Foot	4

* NOT ILLUSTRATED

RECOMMENDED STOCK PARTS



GIU 2.5-240.dwg

GARLAND PARTS IDENTIFICATION

GIU-2.5kW-240 Volts-60Hz

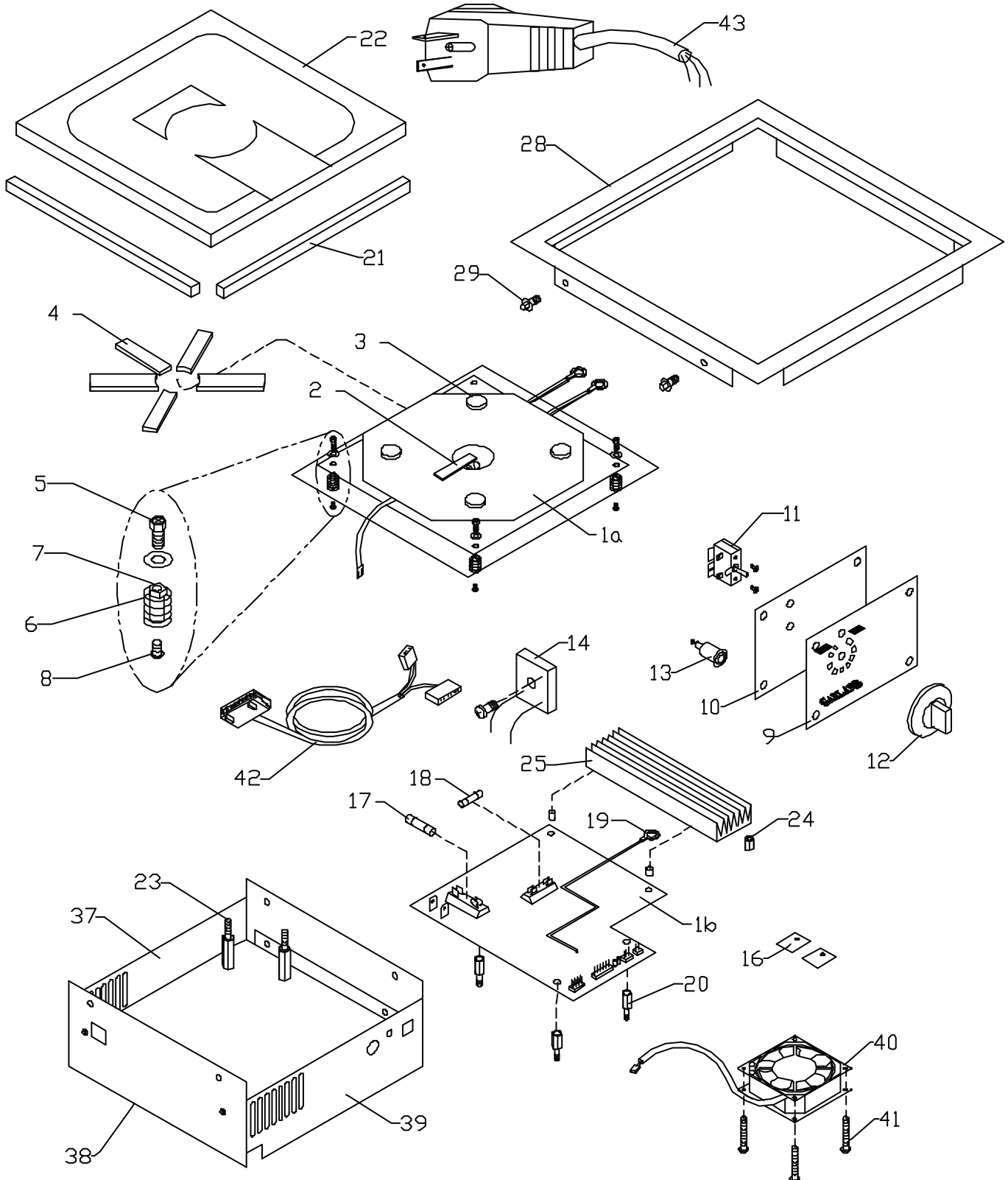
Manual Controls

ITEM	PART #	DESCRIPTION	QUANTITY
1a	93030010	Coil (Inverter) 30.01 With PTC Sensor	1
1b	98402700	Power Board + Logic Board 2.5Kw (Specify Voltage) Use 98000001	1
2	94040010	PTC Sensor With Insulation And Plug	1
3	69000010	Spacer For Coil	4
4	30000070	Ferrit 70 mm	5
5	64070002	M4 X 10 Pin	4
6	72154014	Coil Holder Alu-sheet	1
7	70000002	Silicon Strips 305 x 6 x 4mm	4
8	77262001	Ceran Glass 262 x 262 x 4mm	1
9	72184020	Case BH/BA	1
10	3012600	Over Lay 12-1/2" x 3"	1
11a	35100002	9 Level Switch	1
11b	94900006	Wire For Mains Switch	1
12	39400004	Plastic Knob	1
13	35605001	Front Indicator Lamp LED/5V/Green	1
14	42402510	Rectifier, 1-Phase	1
16	34120209	Fuse T20A 250V 6.3X32(10 Pieces)	1
17	34110019	Fuse For Fan T1A 250V 5X20(10 Pieces)	1
18a	12122200	NTC Heatsink Temperature Sensor	1
18b	60595002	Screws M4X8	1
19	64070001	Pin M4x8mm	2
20	60099401	Screws For Fan 4.8 x 13	3
21	39202401	Fan 24V DC	1
22	60595002	Screws M4X 8	4
23	60332102	M4 x 35 Pin	1
24	72184011	Bottom Panel	1
25	64070008	Plastic Pin M4x15	1
26	33153031	Heatsink BH	1
27	70100002	Ceramic Insulation for IGBT Transistors	2
28	38610030	Main Cable With Connector	1
29	71000001	Plastic Foot	4

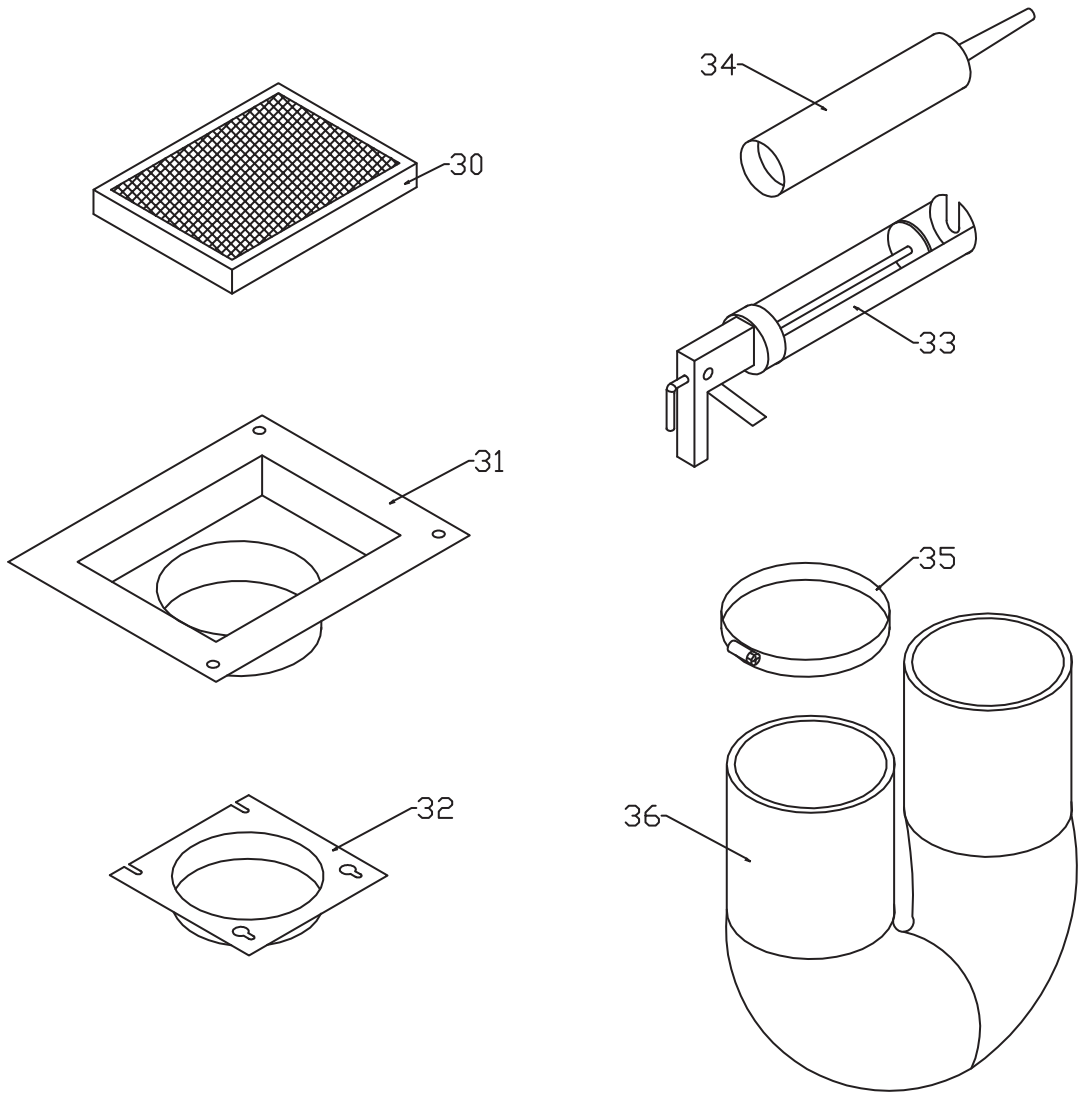
* NOT ILLUSTRATED

RECOMMENDED STOCK PARTS

Up To Serial # IN02.0015.0102



GIU 2.5-208 Build In - 1.dwg



GARLAND PARTS IDENTIFICATION
GIU Built In 2.5Kw/208 Volts-60Hz Manual Controls
Up To Serial # IN02.0015.0102

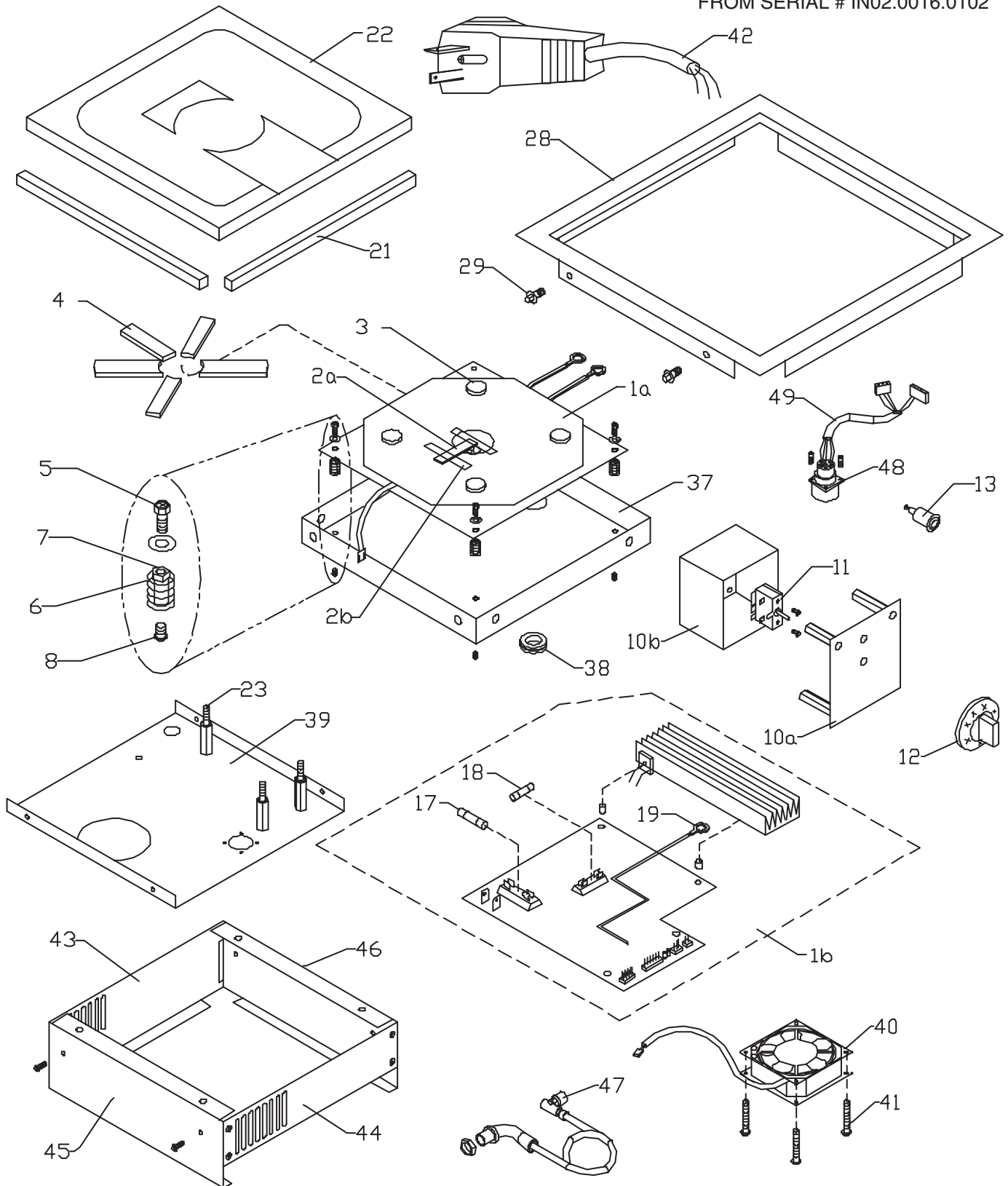
ITEM	PART #	DESCRIPTION	QUANTITY
1a	93030010	Coil (Inverter) 30.01 With PTC Sensor	1
1b	98402700	Power Board + Logic Board 2.5Kw (Specify Voltage) Use 98000001	1
2	94040010	PTC Sensor With Insulation And Plug	1
3	69000010	Spacer For Coil	4
4	30000070	Ferrit 70 mm	5
5	60595004	Screws M5 x 12	4
6	73000002	Coil Feather	4
7	65840001	Coil Pin	4
8	69528501	Plastic Crews For Coil M5X8	4
9	3014500	Garland Label	1
10	72244100	Front Panel BH / IN	1
11	35100002	9 Level Switch	1
12	39400004	Plastic Knob	1
13	35605001	Front Indicator Lamp LED/5V/Green	1
14	42402510	Rectifier, 1-Phase	1
16	70100002	Ceramic Insulation For IGBT Transistors	2
17	34120209	Fuse T20A 250V 6.3X32 (10 Pieces)	1
18	34110019	Fuse For Fan T1A 250 V 5X20 (10 Pieces)	1
19	12122200	NTC Heatsink Temperature Sensor	1
20	64070001	Pin M4X8 mm	3
21	70000002	Silicone Strips 305 x 6 x 4mm	4
22	77262001	Ceran Glass 262 x 262 x 4mm	1
23	60332102	M4 x 35 Pin	2
24	64070008	Plastic Pin M4 x 15	1
25	33153031	Heatsink BH	1
28	72211051	Install Line Profil BH / IN	1
29	60595003	Screws M4x8	4
30	71000003	Grease Filter SH/MU	1
31	72183091	Grease Filter Holder	1
32	72263020	Air Conductor Holder	1
33	76000003	Pistol For Silicone Glue	1
34	70000015	Silicone Glue PACTAN 7076	1
35	70000002	Connector Sola	2
36	76000001	Air Conductor ALU	1
37	72249160	Back Cover Sheet	1
38	72248053	Side Cover Sheet	1
39	72249151	Front Cover Sheet	1
40	39202402	Fan 24 V, Axial	1
41	60143507	Screw For Fan	4
42	94030001	Control Unit-New Version	1
43	38610030	Main Cable With Connector	1

* NOT ILLUSTRATED

RECOMMENDED STOCK PARTS

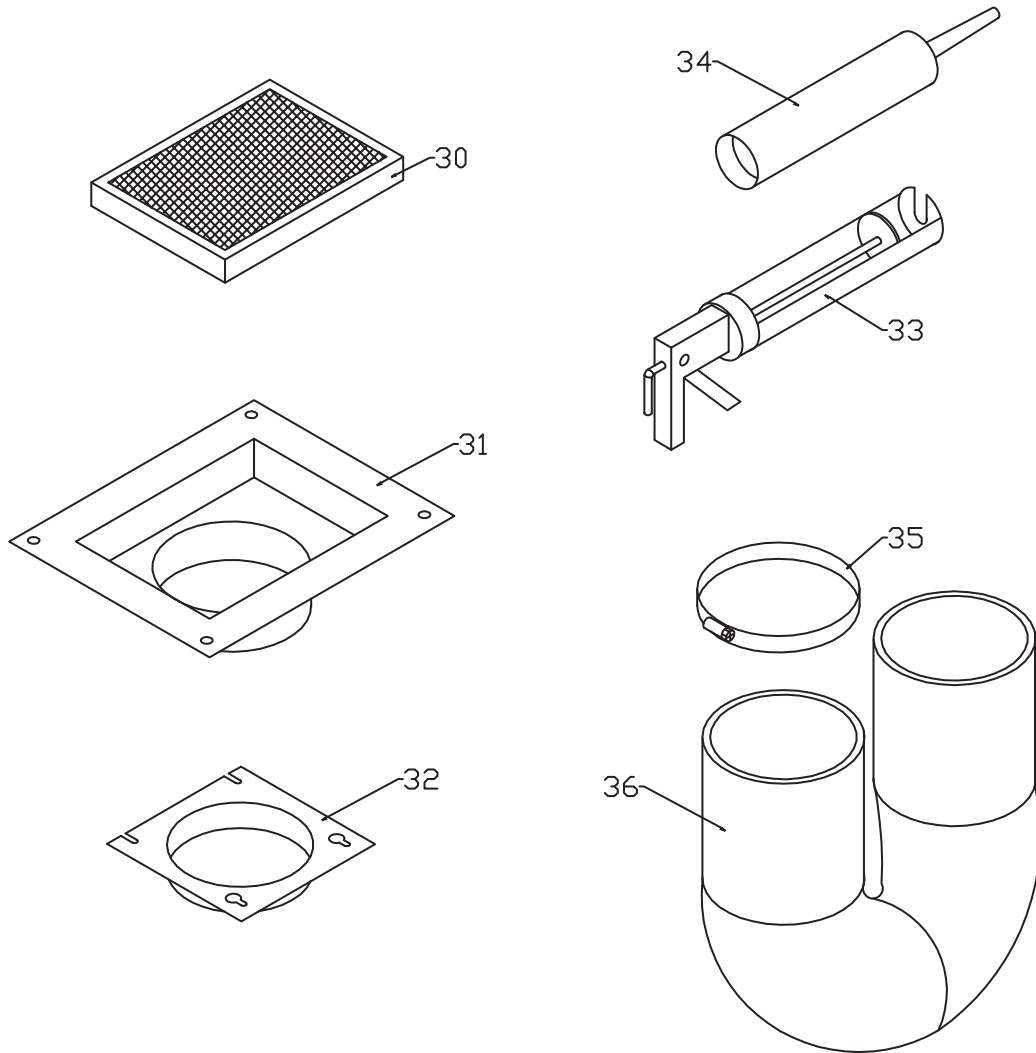
NOTES

FROM SERIAL # IN02.0016.0102



GIU 2.5-208 Build In (2002 Version) 1.dwg

BUILT IN UNITS MUST HAVE ACCESSORIES INSTALLED



GARLAND PARTS IDENTIFICATION
GIU Built In 2.5Kw/208 Volts-60Hz Manual Controls
From Serial # IN02.0016.0102

ITEM	PART #	DESCRIPTION	QUANTITY
1a	93030010	Coil (Inverter) 30.01 With PTC Sensor	1
1b^	98000049	Complete Power Board - 208/240 V Item 17, 18 & 19 included on board	1
2a	94040010	PTC Sensor With Insulation And Plug	1
2b	N/A	Permacel Tape (650 Degree F Heat)	
3	69000010	Spacer For Coil	4
4	30000070	Ferrit 70 mm	4
5	60595004	Screws M5 x 12	4
6	73000002	Coil Feather	4
7	65840001	Coil Pin	4
8	69528501	Plastic Crews For Coil M5X8	4
10a	72244100	Front Panel BH / IN	1
10b	72282180	Panel Box	1
11	35100002	9 Level Switch	1
12	39400004	Plastic Knob (0-9)	1
13	35605001	Front Indicator Lamp LED/5V/Green	1
17	34120209	Fuse T20A 250V 6.3X32 (10 Pieces)	1
18	34110019	Fuse For Fan T1A 250 V 5X20 (10 Pieces)	1
19	12122200	NTC Heatsink Temperature Sensor	1
21	70000002	Silicone Strips 305 x 6 x 4mm	4
22	77262001	Ceran Glass 262 x 262 x 4mm	1
23	60332102	M4 x 35 Pin	2
28	72211051	Install Line Profil BH / IN	1
29	60595003	Screws M4x8	4
30	71000003	Grease Filter SH/MU	1
31	72183091	Grease Filter Holder	1
32	72263020	Air Conductor Holder	1
33	76000003	Pistol For Silicone Glue	1
34	70000015	Silicone Glue PACTAN 7076	1
35	70000002	Connector Sola	2
36	76000001	Air Conductor ALU	1
37	72247271	Coil Aluminum Box	1
38	69000013	Rubber Ring	1
39	72250201	Power Board Panel	1
40	39202402	Fan 24 V, Axial	1
41	60143507	Screw For Fan	4
42	38610030	Main Cable With Connector	1
43	72249160	Back Cover Sheet	1
44	72249151	Front Cover Sheet	1
45	72248053	Side Cover Sheet	1
46	72248150	Side Panel Box	1
47	32950902	Harness	1
48	32960901	Female Plug	1
49	94900021	Wires	1

* NOT ILLUSTRATED

^ DIGITAL PHOTO @ THE END

RECOMMENDED STOCK PARTS

Complete Power Board: part number 98000049



GARLAND PARTS IDENTIFICATION (RECOMMENDED STOCK PARTS)

1. GIU 2.5Kw/208Volts/60Hz Manual Controls 2. GIU 2.5Kw/240Volts/60Hz Manual Controls 3. GIU Built In 2.5Kw/240Volts/60Hz Manual Controls			
#	PART #	DESCRIPTION	Part Used
1	98402700	Power Board + Logic Board 2.5Kw (Specify Voltage) Use 98000001	1,2,3
2	94040010	PTC Sensor with Insulation And Plug	1,2,3
3	35100002	9 Level switch	1,2,3
4	39400004	Plastic Knob	1,2,3
5	35605001	Front Indicator Lamp LED/5V/Green	1,2,3
6	42402510	Rectifier, 1-Phase	1,2,3
7	47300300	IGBT Transistor IRG4PC40UD	1,2,3
8	34120209	Fuse T20A 250V 6.3X32	1,2,3
9	34110019	Fuse For Fan T1A 250V 5X20	1,2,3
10	12122200	NTC Heatsink Temperature Sensor	1,2,3
11	70100002	Ceramic insulation for IGBT Transistors	1,2,3
12	71000003	Grease Filter SH /MU	3
13	39202402	Fan 24 V, Axial (Build In Only)	3
14	39202401	Fan 24V DC	1,2

GARLAND PARTS IDENTIFICATION

Revision History

REV. #	PAGE #	ITEM #	NOTE	DATE
2	5	11b	(94900006) Wire for Main Switch added	July 9/02
	7			
3	6	1b	1b Leader added	July 11/02
	4 - 5	18b	(60595002) Screw added to the part list & drawing	
	6 - 7			
4	10 & 14	40	Description changed.	Sept 20/02
5	6		New Drawing	April 7/04
	8 & 9		New Drawing	
	10	4 & 41	Quantity Changed	
	12 & 13		New Drawing	
	14	41	Quantity Changed	
6	8		New Drawing	
	14	41	Quantity Changed	
7	4,5	29	New Part Number	Aug 19/04
	6,7	29	New Part Number	
8	5,7,19	1b	Description Updated	Nov 10/04
	12		Drawing Updated	
		1b	New Part Number	
	14	14,15,16, 24,25	Part Number Deleted	
	15		New Digital Photo	
9	16	6	New Description	May 03/05
10	12,14	9	Item Deleted	June 20/05
11	4,5,6,7, 8,10	15	Part Number 47300300 (IGBT Transistor IRG4C40UD) Deleted, Not Sold Separately	Mar 01/06

NOTES

NOTES

 **GARLAND**[®]