



Induction Cookers RTCS Technology

(Real-time Temperature Control System)

5.0 kW & 5.5 kW models

PARTS LIST

IMPORTANT

Induction Cookers manufactured with **RTCS** Technology will have **FIVE DIGITS** in the **center** of the **serial number**. *Example: BA06.00001.0505*

Phone (US & Canada): 1 800 427 6668

Fax (US & Canada): 1 800 361 7745

www.Garland-Group.com

Quality Factory Replacement Parts for the World's Finest Foodservice Equipment Solutions

This parts list is updated regularly. Please find the most current revision
on our website @ www.Garland-Group.com



**Induction Cookers
RTCS Technology**
(Real-time Temperature Control System)
5.0 kW & 5.5 kW models

Table of Contents

Base Line (Countertop) — GI-SH/BA 5000 / Unit# 99560007 / 5.0kW, 208V, 50/60Hz4

Countertop Wok Line — GI-SH/WO 5000 / Unit# 99570004 / 5.0kW, 208V, 50/60Hz6

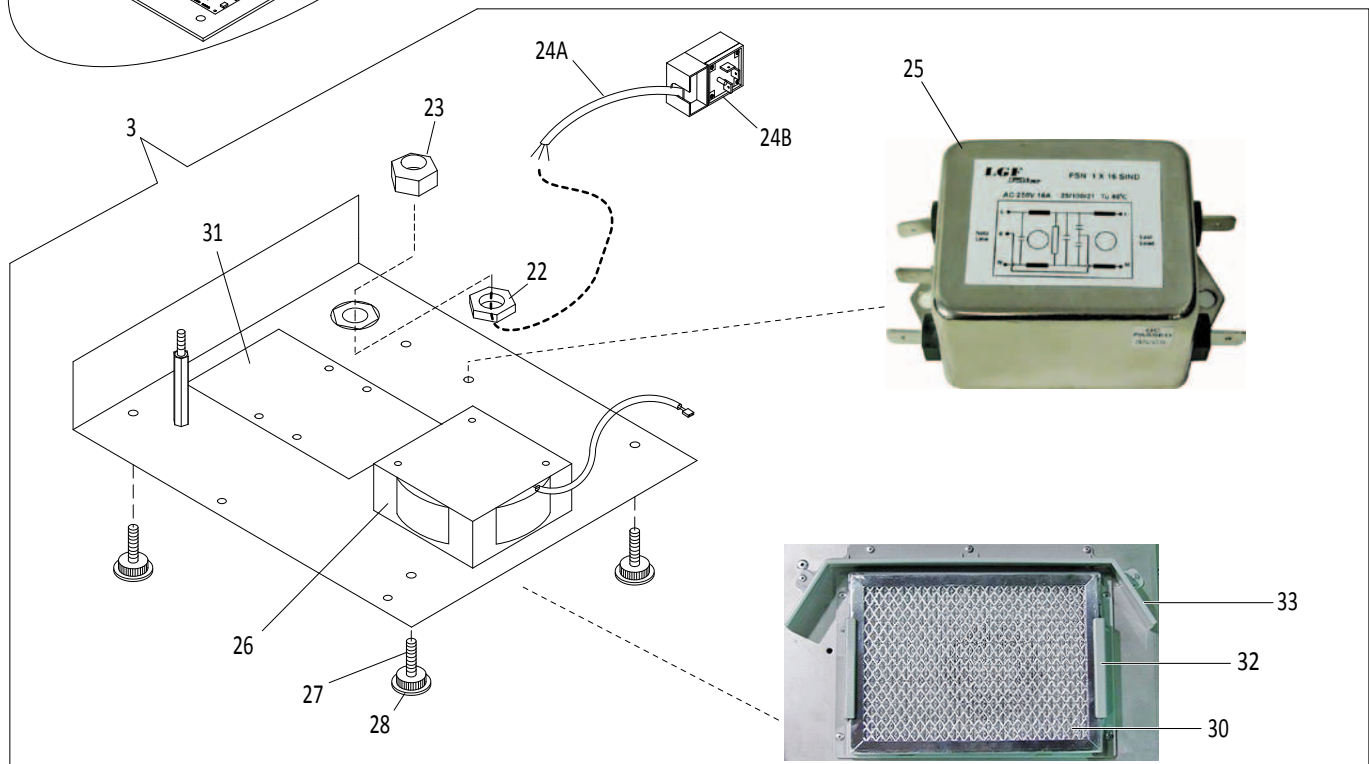
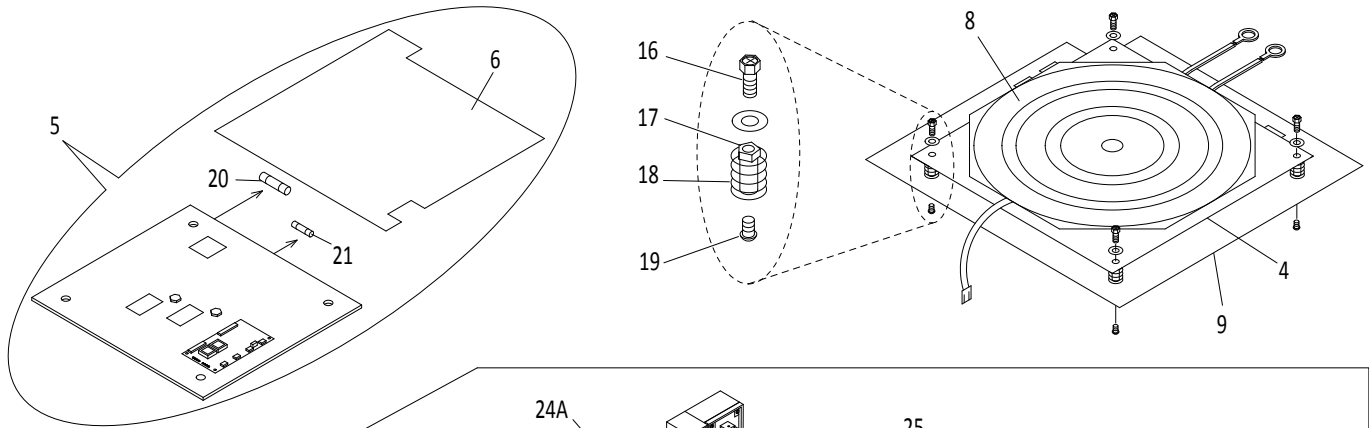
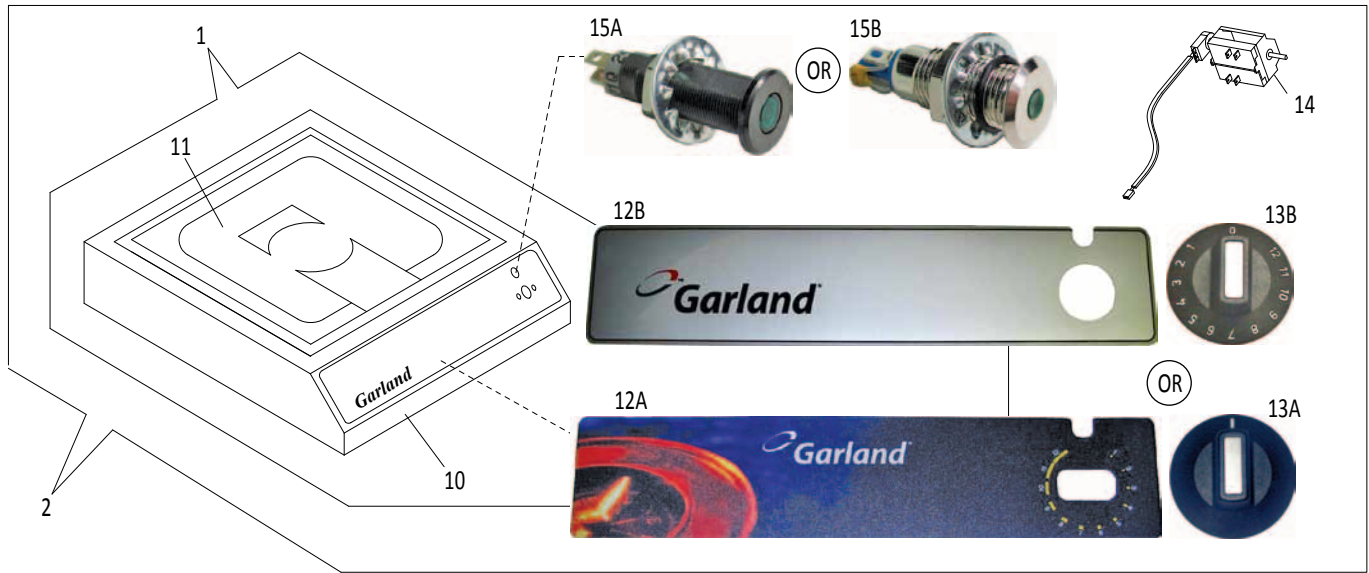
Install Line — GI-SH/IN 5000 / Unit# 99580007 / 5.0kW, 208V, 50/60Hz8

Install Wok Line — GI-SH/WO/IN 5000 / Unit# 99580019 / 5.0kW, 208V, 50/60Hz.....10

Multi-Function (Digital Control) Line — SH/MU 5500 / Unit# 99590004 / GMIU 5.5kW 208V 60Hz...12

Repair Accessories14

Revision History.....15



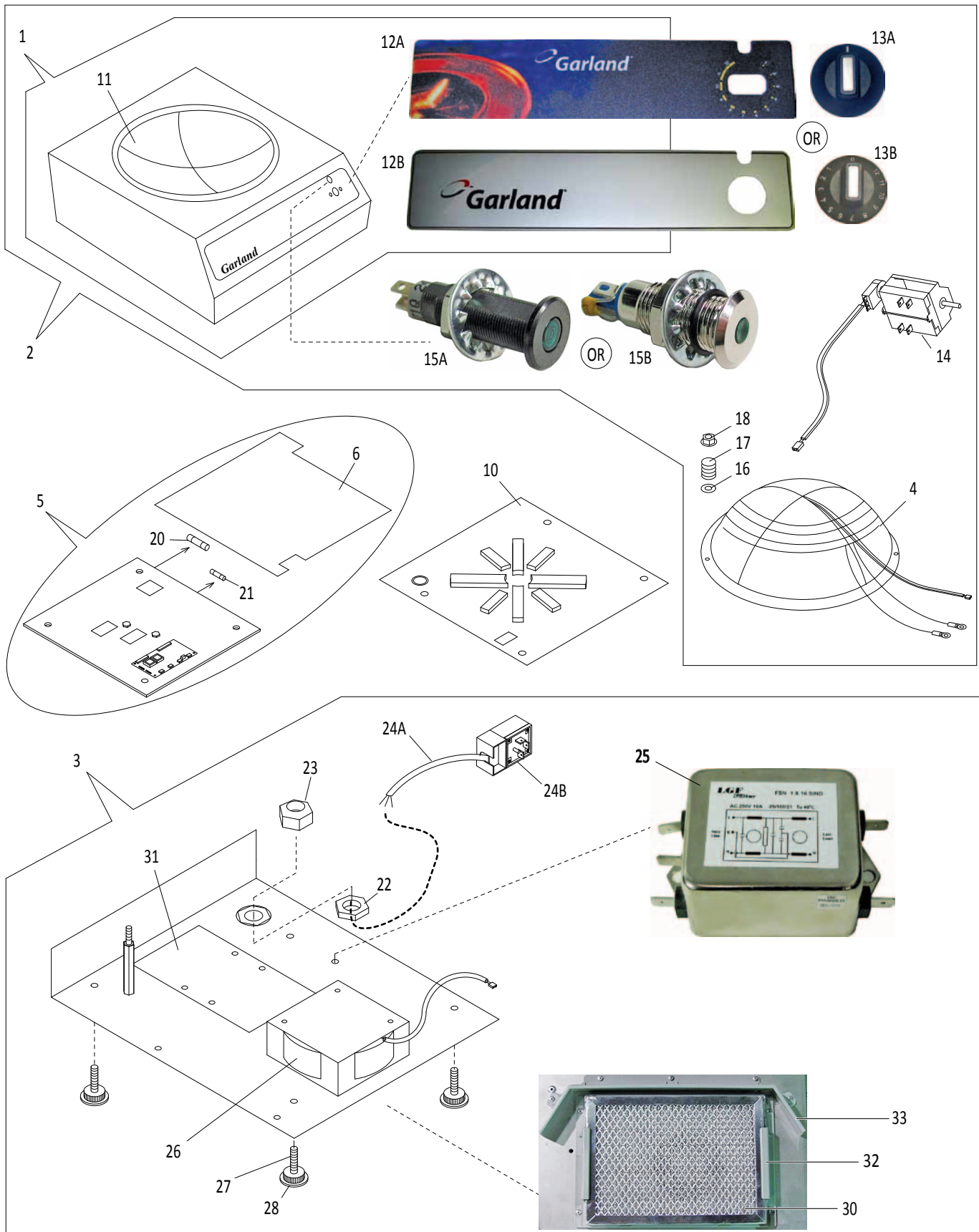
GARLAND PARTS IDENTIFICATION
RTCS Induction Base Line (Countertop) Cooker
5.0kW 208V 50/60Hz

model **GI-SH/BA 5000 (UNIT# 99560007)**

ITEM	PART #	DESCRIPTION	QUANTITY
1	98300101	Upper Case SH/BA Assembly (Includes items 10, 11 & 12)	1
2	98300032	Case Complete Top SH/BA Assembly (Includes items 1, 13, 14 & 15)	1
3	98200030	Base Assembly (Includes items 22 - 28, 30 - 33)	1
4	93003080	Induction Coil #3.08 includes CU Sensors	1
5	98021710	Power Board 5kW (I217 Version). Board Includes items 6, 20 & 21.	1
IMPORTANT After replacing one or both of items 4 and 5, you MUST RESET ALL PARAMETERS using the IR adapter tool (part# 98990001). Please refer to the service manual for instructions.			
6	72291120	Heat Sink Pad 215 x 98 x 5 mm	1
8	94040050	CU1/CU2 Sensors	1
9	72115028	Coil Carrier Sheet – Single	1
10	72140130	Upper Case “SH/BA”	1
11	77322001	Ceran Glass 320x320mm	1
12A	3012601	Control Label/Overlay (0-12) Note: Designed to use with Knob (13A) part# 39400004.	1
12B	66000002	Control Label/Overlay Note: Designed to use with Knob (13B) part# 39400001.	1
13A	39400004	Plastic Knob, Plain Note: Designed to use with Label/Overlay (12A) part# 3012601.	1
13B	39400001	Plastic Knob, with Dail 0-12 Note: Designed to use with Label/Overlay (12B) part# 660000021.	1
14	94010000	Control Switch 2 Pole with Potentiometer	1
15A	35624001	Front Indicator Lamp 24V LED Green - Black Housing Note: NOT interchangeable with item 15B .	1
15B	35624009	Front Indicator Lamp 24V LED Green - Chrome Housing Note: NOT interchangeable with item 15A .	1
16	60595004	Screws M5 x 12	4
17	65840001	Coil Pin	4
18	73000002	Coil Spring	4
19	60528501	Plastic Screws For Coil M5x8	4
20	34120159	Fuse SUT 15amp 250v 6.3x32	2
21	34110019	Fuse T1.0A	1
22	39500001	Screw Nut PG 13.5	1
23	39500007	Screwed Cable Gland PG 13.5	1
24A	38625040	Power Cord Cable ONLY UL 4 x 2.5	1
24B	32750400	Power Cord Plug USA Nema Type	1
25	39331602	Mains Line Filter 3 P/H 16A	1
26	94090011	Radial Fan 24V DC	1
27	71000006	Foot 40x40 M8	4
28	61421201	Knurled Nut, Height Adjustable Foot	4
30	71000003	Air Intake Filter	1
31	72291120	Heat - Sink Pad	1
32	72261030	Frame for Air Intake Filter	1
33	72142470	Air Deflector	1

* NOT ILLUSTRATED

RECOMMENDED STOCK PARTS



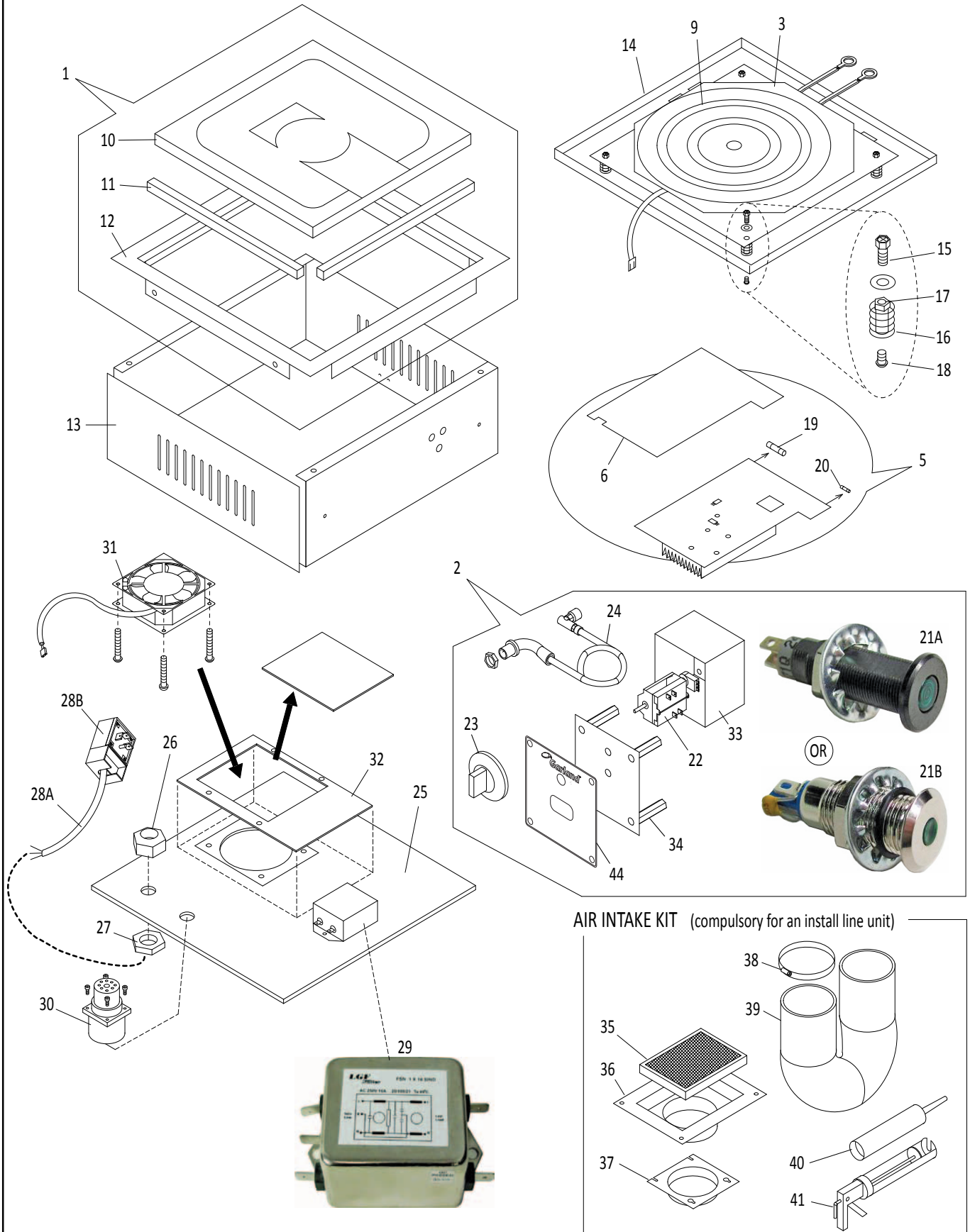
GARLAND PARTS IDENTIFICATION
RTCS Induction Cooker Countertop Wok Line
5.0kW 208V 50/60Hz

model GI-SH/WO 5000 (UNIT# 99570004)

ITEM	PART #	DESCRIPTION	QUANTITY
1	98300108	Upper Case SH/WO Assembly (Includes items 11 & 12)	1
2	98300033	Top Case Complete Assembly (Includes items 1, 4, 13, 14, 15, 16, 17 & 18)	1
3	98200030	Base Assembly (Includes items 22 - 28, 30 - 33)	1
4	93203011	Induction Wok Coil #203.01 With Sensor	1
5	98021711	Power Board WOK 5kW (I217 Version) - Item Includes: 6, 20 & 21	1
IMPORTANT After replacing items 5, you MUST RESET ALL PARAMETERS using the IR adapter tool (part# 98990001). Please refer to the service manual for instructions.			
6	72291120	Heat Sink Pad 215 x 98 x 5 mm	1
10	98100101	Sheet Metal with Ferrit	1
11	77302001	Ceran Wok Bowl Note: Item listed for reference only. Not Sold Separately.	1
12A	3012601	Control Label/Overlay (0-12) Note: Designed to use with Knob (13A) part# 39400004.	1
12B	66000002	Control Label/Overlay Note: Designed to use with Knob (13B) part# 39400001.	1
13A	39400004	Plastic Knob, Plain Note: Designed to use with Label/Overlay (12A) part# 3012601.	1
13B	39400001	Plastic Knob, with Dail 0-12 Note: Designed to use with Label/Overlay (12B) part# 660000021.	1
14	94010000	Control Switch 2 Pole w/Potentiometer	1
15A	35624001	Front Indicator Lamp 24V LED Green - Black Housing Note: NOT interchangeable with item 15B .	1
15B	35624009	Front Indicator Lamp 24V LED Green - Chrome Housing Note: NOT interchangeable with item 15A .	1
16	60056702	Washer	4
17	73000004	Compression Spring	4
18	60678301	Nut	4
20	34120159	Fuse SUT 15amp 250v 6.3x32	2
21	34110019	Fuse T1.0A	1
22	39500001	Screw nut PG 13.5	1
23	39500007	Screwed Cable Gland PG 13.5	1
24A	38625040	Power Cord Cable ONLY UL 4 x 2.5	1
24B	32750400	Power Cord Plug USA Nema Type	1
25	39331602	Mains Line Filter 3 P/H 16A	1
26	94090011	Radial Fan 24V DC	1
27	71000006	Foot 40x40 M8	4
28	61421201	Knurled Nut, Height Adjustable Foot	4
30	71000003	Air Intake Filter	1
31	72291120	Heat - Sink Pad	1
32	72261030	Frame for Air Intake Filter	1
33	72142470	Air Deflector	1

* NOT ILLUSTRATED

RECOMMENDED STOCK PARTS



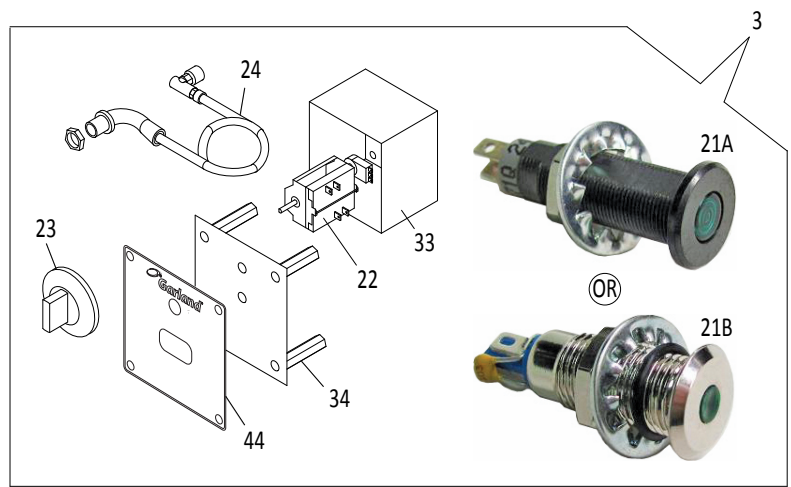
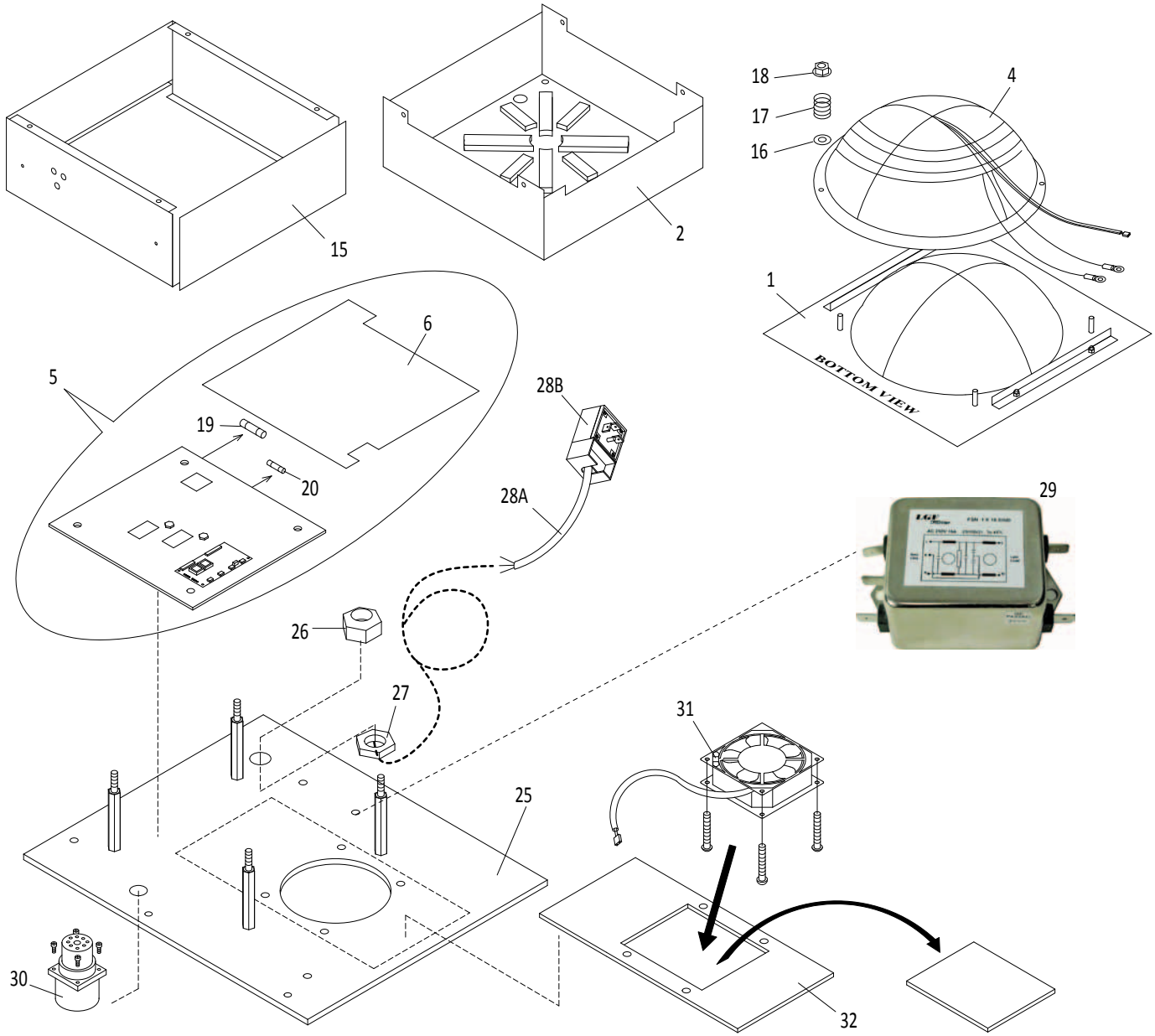
GARLAND PARTS IDENTIFICATION
RTCS Induction Cooker Install Line 5.0kW 208V 50/60Hz

model GI-SH/IN 5000 (UNIT# 99580007)

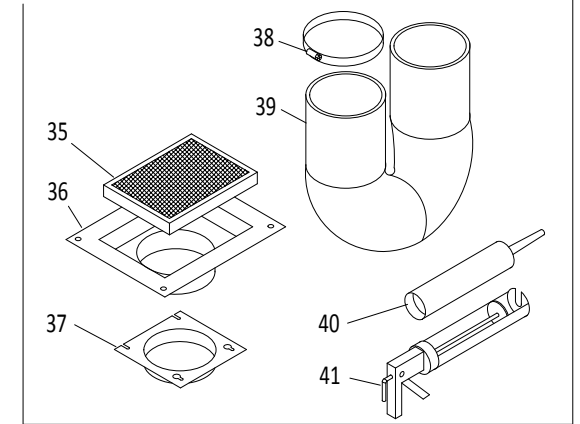
ITEM	PART #	DESCRIPTION	QUANTITY
1	98300021	Ceran Glass Top SH/IN Assembly (Includes items 10, 11 & 12)	1
2	94030004	Main Control Assembly (Includes items 21, 22, 23, 24, 33, 34 & 44)	1
3	93003080	Induction Coil #3.08 includes CU Sensors	1
5	98021710	Power Board 5kW (I217 Version). Board Includes items 6, 19 & 20.	1
IMPORTANT After replacing one or both of these items, you MUST RESET ALL PARAMETERS using the IR adapter tool (part# 98990001). Please refer to the service manual for instructions.			
6	72291120	Heat Sink Pad 215 x 98 x 5 mm	1
9	94040050	CU1/CU2 Sensors	1
10	77322001	Ceran Glass 320 x 320 mm	1
11	70000002	Silicone Strips 306 x 6 x 4 mm	4
12	72211032	Mounting Frame (Ceran Glass not included)	1
13	72144550	Front Sheet SH/IN	1
14	72144570	Coil Carrier SH/IN	1
15	60595004	Screws M5 x 12	4
16	73000002	Coil Spring	4
17	65840001	Coil Pin	4
18	60528501	Plastic Screws For Coil M5X8	4
19	34120159	Fuse SUT 15amp 250v 6.3x32	2
20	34110019	Fuse T1.0A	1
21A	35624001	Front Indicator Lamp 24V LED Green - Black Housing Note: NOT interchangeable with item 21B .	1
21B	35624009	Front Indicator Lamp 24V LED Green - Chrome Housing Note: NOT interchangeable with item 21A .	1
22	94010000	Control Switch (2 Pole) w/Potentiometer	1
23	39400001	Plastic Knob 0-12	1
24	32950902	Harness Main Control	1
25	72144510	Bottom Sheet SH/IN	1
26	39500009	Screwed Cable Gland PG 16	1
27	39500003	Screw Nut PG 16	1
28A	38625040	Power Cord Cable Only UL 4x2.5	1
28B	32750400	Power Cord Plug USA Nema Type	1
29	39331602	Mains Line Filter 3 P/H 16A	1
30	32960901	Female Plug	1
31	94090002	Axial Fan	1
32	72291120	Heat Sink Pad IMPORTANT: During installation, you must remove and discard the center piece of the Heat Sink Pad for fan ventilation.	1
33	72282180	Connector Box Switch - S/S	1
	72261070	Connector Box Switch - Plastic	1
34	72244100	Front Panel (Without Guard)	1
35	71000003	Air Intake Filter	1
36	72183091	Grease Filter Holder	1
37	72263020	Air Conductor Holder	1
38	76000002	Clamp	2
39	76000001	Air Conductor Aluminum	1
40	70000015	Silicone Glue PACTAN 7076	1
41	76000003	Chalking Gun - Silicone Glue	1
44	66000067	Label/Overlay - Install-Line (NO Protective Guards)	1

* NOT ILLUSTRATED

RECOMMENDED STOCK PARTS



AIR INTAKE KIT (compulsory for an install wok line unit)



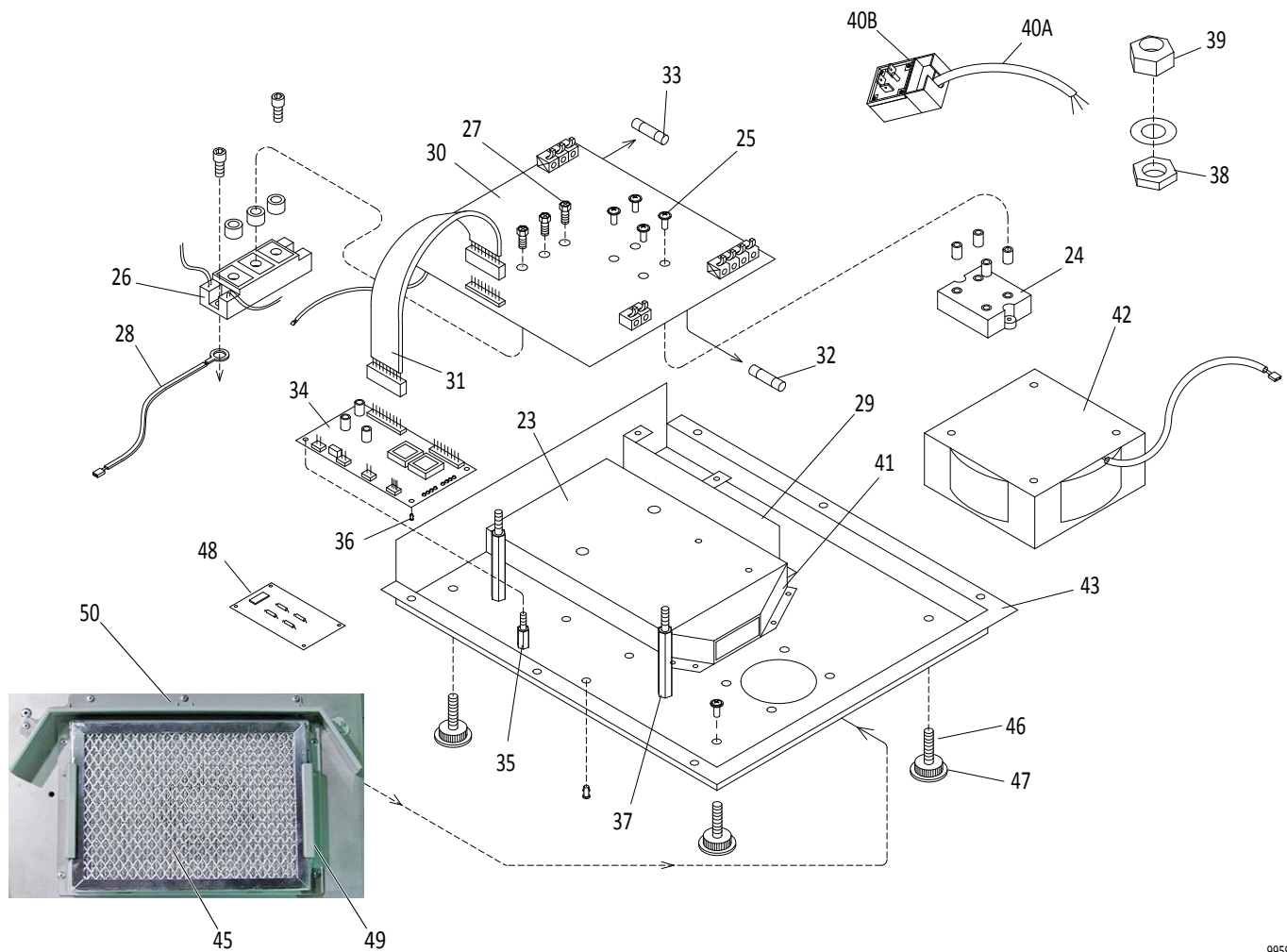
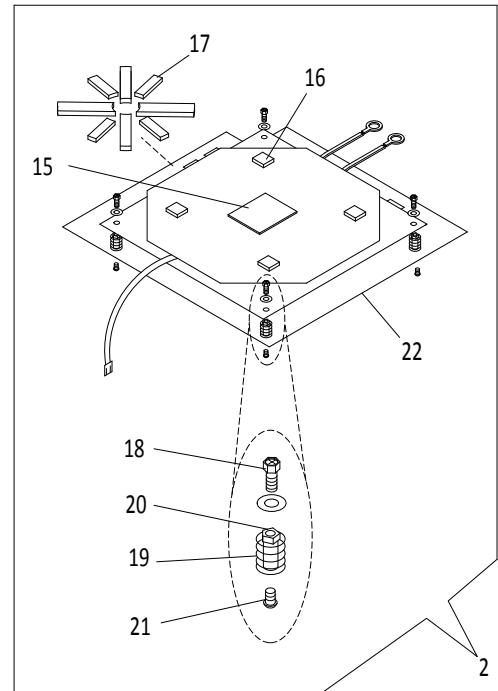
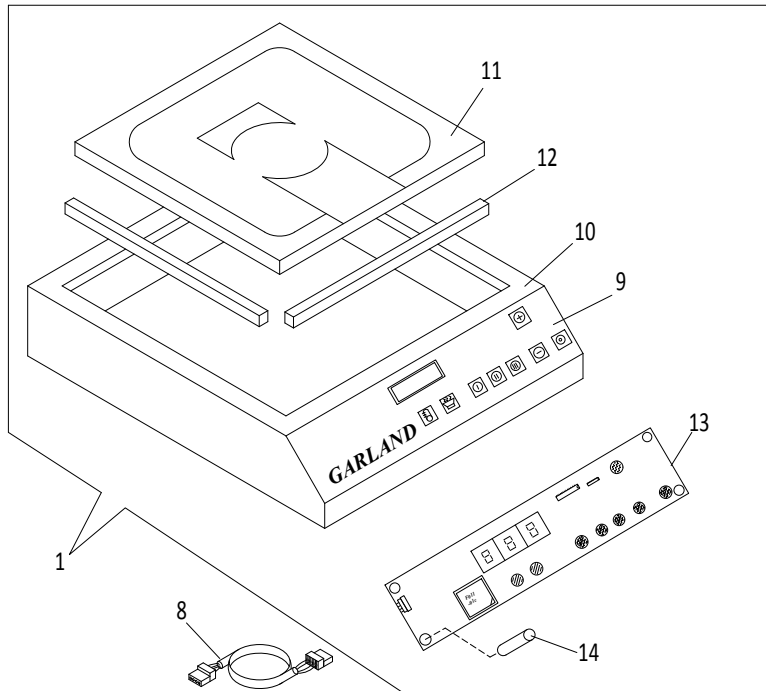
GARLAND PARTS IDENTIFICATION
RTCS Induction Cooker Install Wok Line 5.0kW 208V 50/60Hz

model GI-SH/WO/IN 5000 (UNIT# 99580019)

ITEM	PART #	DESCRIPTION	QANTITTY
1	98300112	Ceran Wok Top Assembly (Includes Wok Bowl)	1
2	95141221	Trough with Ferrit for Install Wok Line	1
3	94030004	Main Control Assembly (NO Knob Gards) (Includes items 21, 22, 23, 24, 33, 34 & 44)	1
4	93203011	Induction Wok Coil #203.01 With Sensor	1
5	98021711	Power Board WOK 5kW (I217 Version) - Item Includes: 6,19 & 20	1
IMPORTANT After replacing items 5, you MUST RESET ALL PARAMETERS using the IR adapter tool (part# 98990001). Please refer to the service manual for instructions.			
15	72144550	Front Sheet SH/IN	1
16	60056702	Washer	4
17	73000004	Compression Spring	4
18	60678301	Nut	4
19	34120159	Fuse SUT 15amp 250v 6.3x32	2
20	34110019	Fuse T1.0A	1
21A	35624001	Front Indicator Lamp 24V LED Green - Black Housing Note: NOT interchangeable with item 21B .	1
21B	35624009	Front Indicator Lamp 24V LED Green - Chrome Housing Note: NOT interchangeable with item 21A .	1
22	94010000	Control Switch 2 Pole w/Potentiometer	1
23	39400001	Plastic Knob with Dial 0-12	1
24	32950902	Harness Main Control	1
25	72144510	Bottom Sheet SH/IN	1
26	39500009	Screwed Cable Gland PG 16	1
27	39500003	Screw Nut PG 16	1
28A	38625040	Power Cord Cable Only UL 4x2.5	1
28B	32750400	Power Cord Plug USA Nema Type	1
29	39331602	Mains Line Filter 3 P/H 16A	1
30	32960901	Female Plug	1
31	94090002	Axial Fan (SH/IN Models)	1
32	72291120	Heat Sink Pad IMPORTANT: During installation, you must remove and discard the center piece of the Heat Sink Pad for fan ventilation.	1
33	72282180	Connector Box Switch - S/S	1
	72261070	Connector Box Switch - Plastic	1
34	72244100	Front Panel (without Protective Guards)	1
35	71000003	Air Intake Filter	1
36	72183091	Grease Filter Holder	1
37	72263020	Air Conductor Holder	1
38	76000002	Clamp	2
39	76000001	Air Conductor Aluminum	1
40	70000015	Silicone Glue PACTAN 7076	1
41	76000003	Chalking Gun - Silicone Glue	1
44	66000067	Label/Overlay - Install-Line (NO Protective Guards)	1

* NOT ILLUSTRATED

RECOMMENDED STOCK PARTS



GARLAND PART IDENTIFICATION
RTCS Induction Cooker Multi-Function (Digital Control) Line
5.5kW 208V 60Hz

model **SH/MU 5500 (UNIT# 99590004)**

ITEM	PART #	DESCRIPTION	QUANTITY
1	98300008	Case Upper Part Complete - Item included 9,10,11,12,13 & 14	1
2	93003031	Coil # 3.04 With PTC-sensing Element And Sensor Coil	1
8	94900005	4-Pin Cable for Multi-Line Keyboard	1
9	3012603	Garland Overlay	1
10	72185081	Case Upper Part	1
11	77322001	Ceran Glass 322 x 322mm	1
12	70000002	Silicone Stripes 306 x 6 x 4mm	4
13	98403301	Keyboard	1
14	61404901	Spacer	4
15	94040010	PTC-Sensor with Insulation and Plug 1-Kohms	1
16	69000011	Spacer 4mm	4
17	30000110	Ferrit 110mm	1
18	60595004	Hexagon Screw M5 x12	4
19	73000002	Compression Spring 1.1 x 13.6 x 45.7	4
20	65840001	Distance Bolt M5 x 23	4
21	60528501	Cup Bolt M5x8	4
22	72115028	Coil Carrier Sheet Single	1
23	33143021	Heat Sink SH Single	1
24	42403030	Rectifier 3Ph	1
25	95000005	Screws For Rectifier	4
26	47301000	IGBT C5 - Transistor Module	1
27	95000007	Screws for IGBT - Transistor Module	3
28	94040001	NTC 20KOhm Heat Sink Sensor - 160mm	1
29	72116012	Side Sheet	1
30	91016180	Power Print 3N208/3.5 SH/W ([Power Board)	1
31	94900001	Cable Single CPU (Logic Board - Power PCB Cable) 10Pin	1
32	34110019	Fuse T1A 250V 5x20	1
33	34120109	Fuse T10A 250V 6.3x32	1
34	98401808	CPU-Print Multi-Line (Logic Board)	1
35	64070001	Spacer M4x8	
36	64070007	Spacer Double Locking	
37	64070005	Spacer M4x70	2
38	39500003	Screw Nut PG 16	1
39	39500009	Screwed Cable Gland PG 16	1
40A	38625040	Mains Cable UL 4 x 2.5 mm 2	1
40B	32750400	Mains Plug USA NEMA 15-20P	1
41	72142011	Air Duct Single	1
42	39223001	Radial Fan 230V	1
43	72185039	Bottom Sheet	1
45	71000003	Grease filter	1
46	71000006	Foot 40x40 M8	4
47	61421201	Knurled Nut, Height Adjustable Foot	4
48	90101000	Measuring Amplifier	1
49	72261030	Frame for Air Intake Filter	1
50	72142470	Air Deflector	1

* NOT ILLUSTRATED

RECOMMENDED STOCK PARTS

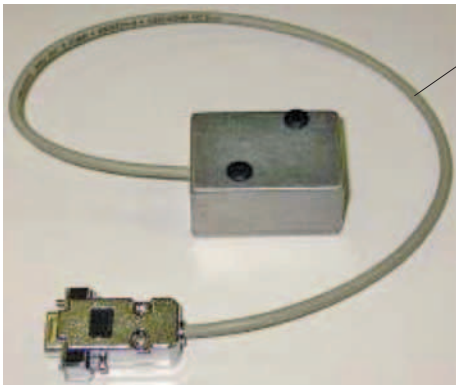
GARLAND PARTS IDENTIFICATION
RTCS Induction Cookers

REPAIR ACCESSORIES

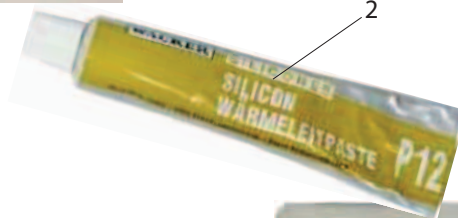
ITEM	PART #	DESCRIPTION	QUANTITY
1	98990001	IR Box	1
2	70000020	Heat Conducting Paste P12	1
3*	70000022	High Temperature Tape	1
4	94900096	Service Plug	1
5	39800001	USB- RS232 Adapter	1

* NOT ILLUSTRATED

RECOMMENDED STOCK PARTS



1



2



4



5

GARLAND PARTS IDENTIFICATION Revision History

REV. #	PAGE #	ITEM #	NOTES	DATE
0			Book Released	MAY 15/06
1	5	1,2,10,14, 24A,25	Description Changed	JUN 02/06
	7	14,24A,25		
	9	1,12,22,28A 29,38, 39		
	11	1,22,28A 29,38,39		
	4,5	3	Was Item 5	
	6,7 10,11	4,5	Was Item 3 & 4 – Also Note Added Under Description	
	8,9	2 3,4	Was Item 4 – Drawing Modified Was Item 2 & 3 – Also Note Added Under Description	
2			Part List Renamed - Was: 5.0 Kw RTCS Induction Unit (Rev 1).pdf	JUL 06/06
	7 & 11		Important Notice Modified (Below Item 5)	
	12,13		Multi-line Model Inserted	
3	5,7	21	New Part # – Was 34128004 (Fuse T0.8A)	JAN 11/07
	9,11	20		
4	4		New Drawing – Item # 4 Relocated, Item # 9 Added	MAR 09/07
	5	9	New Part Number – Part Not Included in The Kit Item #4	
5	5	5	New Part Number & Description Was 98011716 (Power Board - Item Includes: 20 & 21)	MAR 31/07
	7	5	New Part Number & Description Was 98011717 (Power Board - Item Includes: 20 & 21)	
	9	4	New Part Number & Description Was 98011716 (Power Board - Item Includes: 19 & 20)	
	11	5	New Part Number & Description Was 98011717 (Power Board - Item Includes: 19 & 20)	
6	4,6,8,10		New drawing	NOV 24/10
	5,7,9,11		New part number added - 72291120 (Heat - Sink Pad)	
	12	9	Part number change - was 66000061	
	5,7 (9,11)	20,(19)	Part number changed - was 34120109 (Fuse T10A)	
7	5,9	4,3	Part number changed - was 93003032	APR 01/11
8	13	44	Remove grease filter frame (metal) - 72261022. Replaced by plastic frame.	APR 30/12
	12 - 13	49, 50	Added filter frame (72261030) and deflector (72142470) to all counter line models.	
	4 - 7	32, 33		
	4 - 5	8	Sensor - Added 94040050.	
	8 - 9	9	Sensor - Added 94040050.	
	8 - 9, 10-11	21B, 33, 34, 44	Added: Sensor (94040050), LED Lamp (35624009), Connecto Box Switch (72282180 / 72261070), Panel (72244100), Overlay (66000067)	
	4 - 7	12B, 15B, 13A	Overlay / Knob / LED Lamp - Added - Overlay 66000002; front LED light 35624009; Control Knob 39400004	
	4 - 9	6	Heat Sink Pad - Added 72291120	
	4, 6, 8, 10		Revised illustration for plug.	
** Page#/Item# reference the specific page/item numbers in the corresponding Revision version only.				

 **Garland**[®]

 **Manitowoc**