



Induction Cookers
RTCS Technology
(Real-time Temperature Control System)
3.5 kW models

PARTS LIST

IMPORTANT

Induction Cookers manufactured with **RTCS** Technology will have **FIVE DIGITS** in the **center** of the **serial number**. *Example: BA06.00001.0505*

Phone (US & Canada): 1 800 427 6668

Fax (US & Canada): 1 800 361 7745

www.Garland-Group.com

Quality Factory Replacement Parts for the World's Finest Foodservice Equipment Solutions

This parts list is updated regularly. Please find the most current revision
on our website @ www.Garland-Group.com



**Induction Cookers
RTCS Technology
(Real-time Temperature Control System)**

3.5 kW models

Table of Contents

Base Line (Countertop) Baby Hob — GI-BH/BA 3500 / Unit# 99560109 / 3.5kW, 208V, 50/60Hz4

Base Line (Countertop) Baby Hob — GI-BH/BA 3500 / Unit# 99560111 / 3.5kW, 240V, 50/60Hz6

Base Line (Countertop) — GI-SH/BA 3500 / Unit# 99560004 / 3.5kW, 208V, 50/60Hz8

Base Line (Countertop) — GI-SH/BA 3500 / Unit# 99560006 / 3.5kW, 240V, 50/60Hz10

Countertop Wok Line — GI-SH/WO 3500 / Unit# 99570001 / 3.5kW, 208V, 50/60Hz12

Countertop Wok Line — GI-SH/WO 3500 / Unit# 99570003 / 3.5kW, 240V, 50/60Hz14

Install Line — GI-SH/IN 3500 / Unit# 99580004 / 3.5kW, 208V, 50/60Hz16

Install Line — GI-SH/IN 3500 / Unit# 99580006 / 3.5kW, 240V, 50/60Hz18

Install Wok Line — GI-SH/WO/IN 3500 / Unit# 99580016 / 3.5kW, 208V, 50/60Hz20

Install Wok Line — GI-SH/WO/IN 3500 / Unit# 99580034 / 3.5kW, 208V, 50/60Hz22

Install Wok Line — GI-SH/WO/IN 3500 / Unit# 99580018 / 3.5kW, 240V, 50/60Hz24

Multi-Function (Digital Control) Line — SH/MU 3500 / Unit# 99590001 / GMIU 3.5kW 208V 60Hz...26

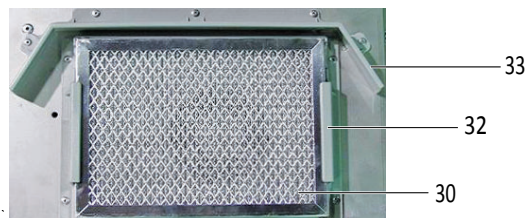
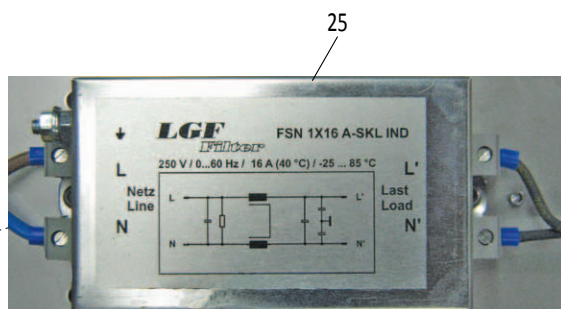
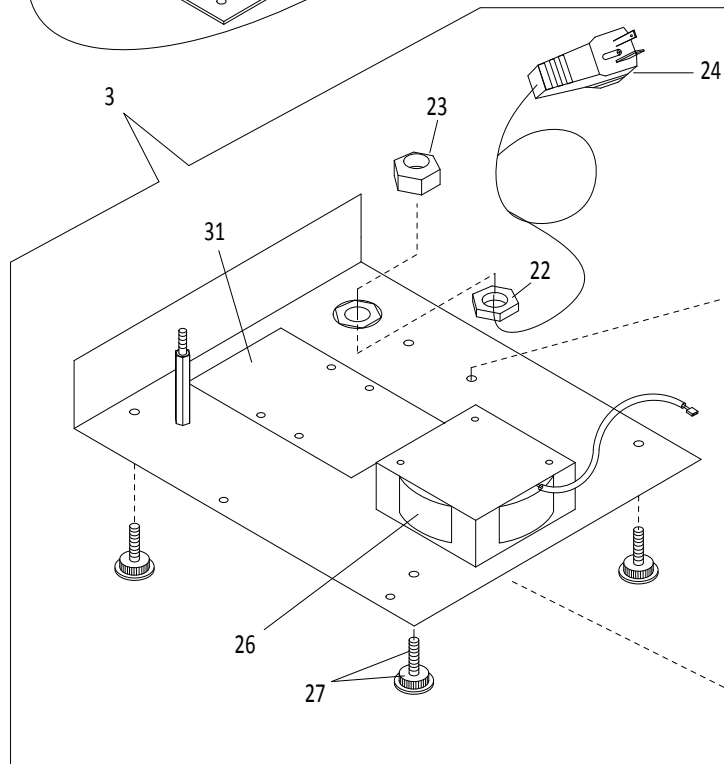
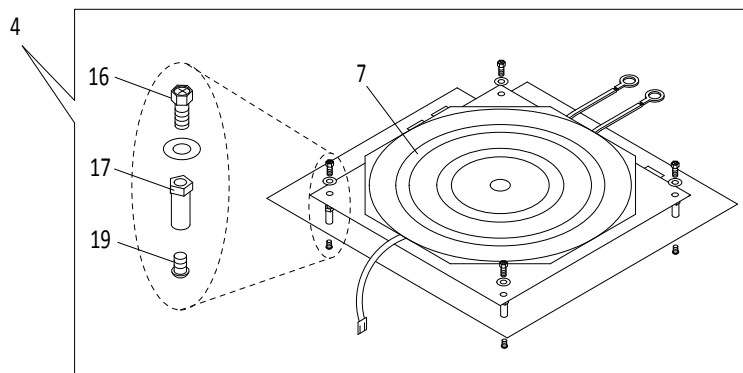
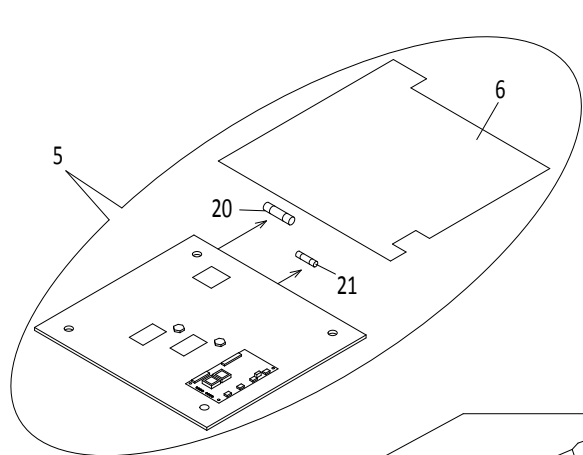
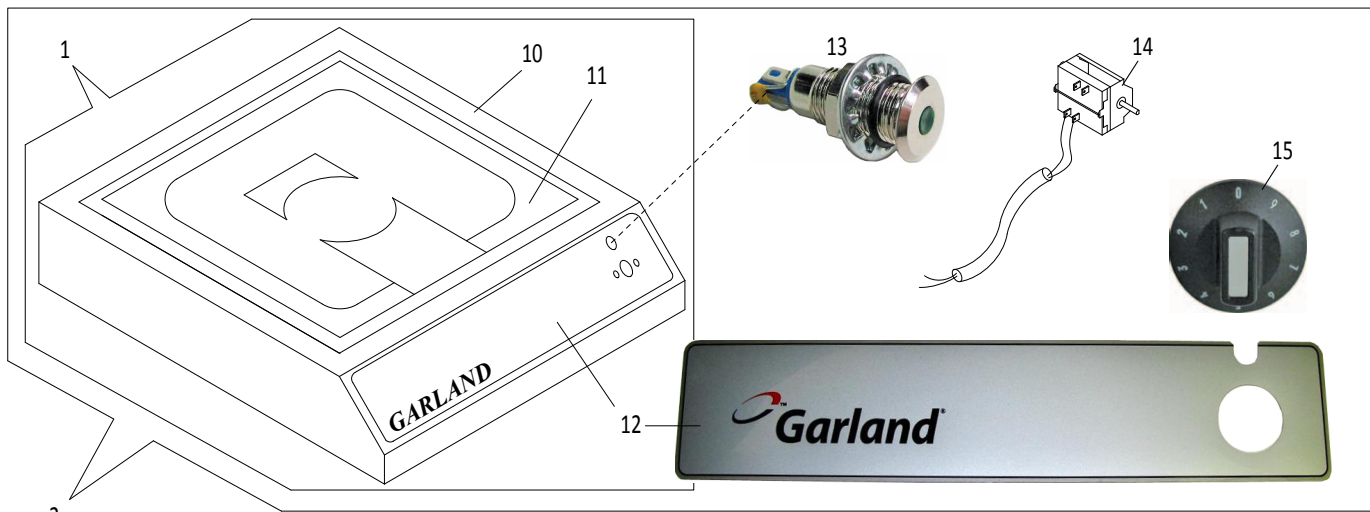
Multi-Function (Digital Control) Line — SH/MU 3500 / Unit# 99590003 / GMIU 3.5kW 240V 60Hz...28

Repair Accessories30

Revision History.....31



RTCS Induction Base Line Baby Hob Cooker
 GI-BH/BA 3500 / Unit# 99560109 / 3.5kW, 208V, 50/60Hz



GARLAND PARTS IDENTIFICATION
RTCS Induction Base Line (Countertop) Baby Hob Cooker
3.5kW 208V 50/60Hz

model GI-BH/BA 3500 (Unit# 99560109)

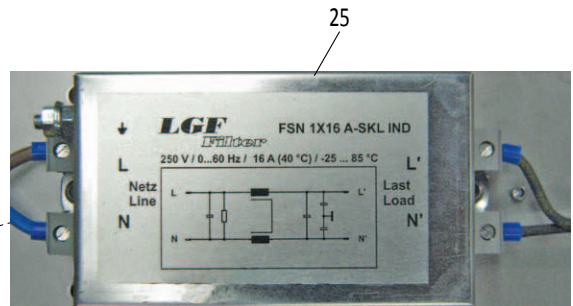
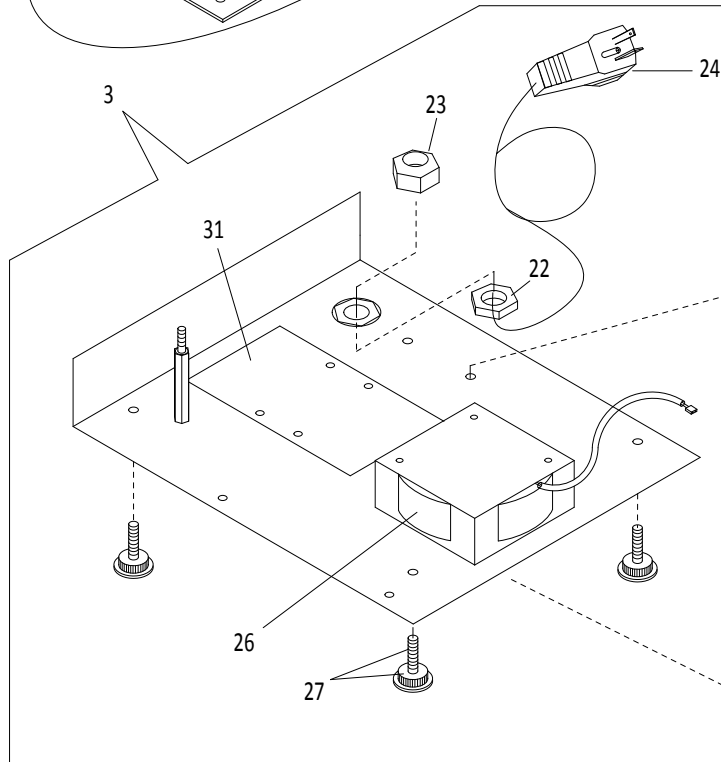
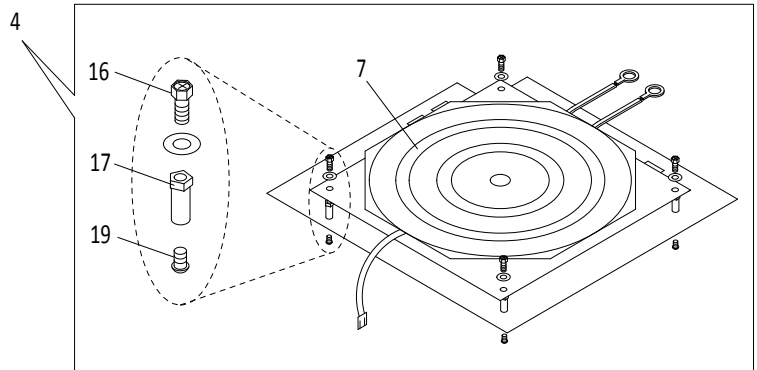
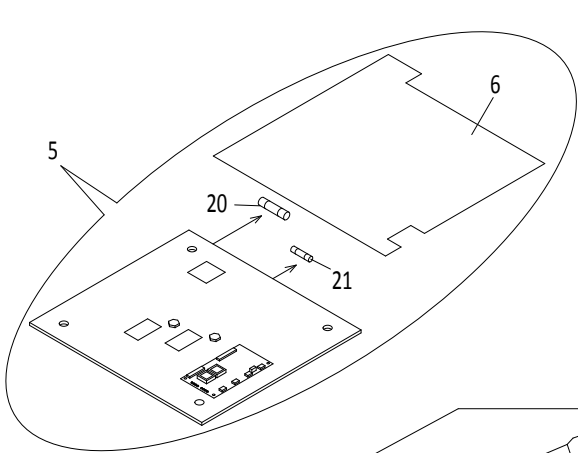
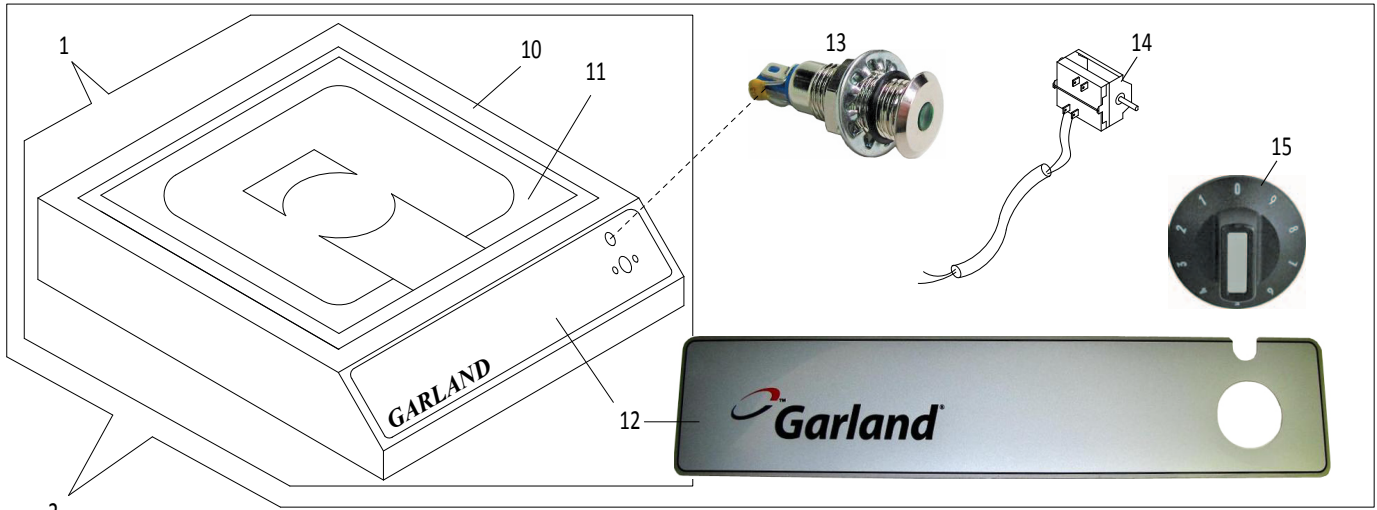
ITEM	PART#	DESCRIPTION	QUANTITY
1	98300100	Upper Case BH/BA Assembly (Includes items 10, 11 & 12)	1
2	98300031	Case Complete Top BH/BA Assembly (Includes items 1, 13, 14 & 15)	1
3	98200003	Base Assembly (Includes items 22 - 28 & 30 - 33)	1
4	93061020	Induction Coil #61.02 With RTCS Sensor	1
5	98021721	Power Board 2.5 kW & 3.5 kW (I217 Version). Board Includes items 6, 20 & 21.	1
IMPORTANT After replacing one or both of items 4 and 5, you MUST RESET ALL PARAMETERS using the IR adapter tool (part# 98990001). Please refer to the service manual for instructions.			
6	72291120	Heat Sink Pad 215 x 98 x 5 mm	1
7	94040050	CU1/CU2 Sensors Note: If replacing only the CU sensor, ensure to initialize with a short circuit plug (P/N 94900096, see "Repair Accessories"). For instructions, refer to Service Manual, section "8.1 How to initialize the CU sensors by the short circuit plug".	1
10	72184020	Upper Case "BH/BA"	1
11	77262001	Ceran Glass 262 x 262 mm	1
12	66000000	Control Label/Overlay	1
13	35624009	Front Indicator Lamp 24V LED Green - Chrome Housing	1
14	94900070	Step Switch With Cable	1
15	39400003	Plastic Knob with Dial 0-9	1
16	60595004	Screw M5 x 12	4
17	65840001	Coil Pin	4
19	60528501	Plastic Screw for Coil, M5 x 8	4
20	34120159	Fuse SUT 15Amps 250V-6.3x32	2
21	34110019	Fuse T1.0A	1
22	39500001	Screw Nut PG 13.5	1
23	39500007	Screwed Cable Gland PG 13.5	1
24	38614035	Power Cord USA Type 6/20A	1
25	39311603	Mains Line Filter 16A	1
26	94090011	Radial Fan 24V DC	1
27	95000120	Foot Complete Assembly, Adjustable	4
30	71000003	Air Intake Filter	1
31	72291120	Heat Sink Pad	1
32	72261030	Frame for Air Intake Filter	1
33	72142470	Air Deflector	1

* NOT ILLUSTRATED

RECOMMENDED STOCK PARTS



RTCS Induction Base Line Baby Hob Cooker
 GI-BH/BA 3500 / Unit# 99560111 / 3.5kW, 240V, 50/60Hz



GARLAND PARTS IDENTIFICATION
RTCS Induction Base Line (Countertop) Baby Hob Cooker
3.5kW 240V 50/60Hz

model GI-BH/BA 3500 (Unit# 99560111)

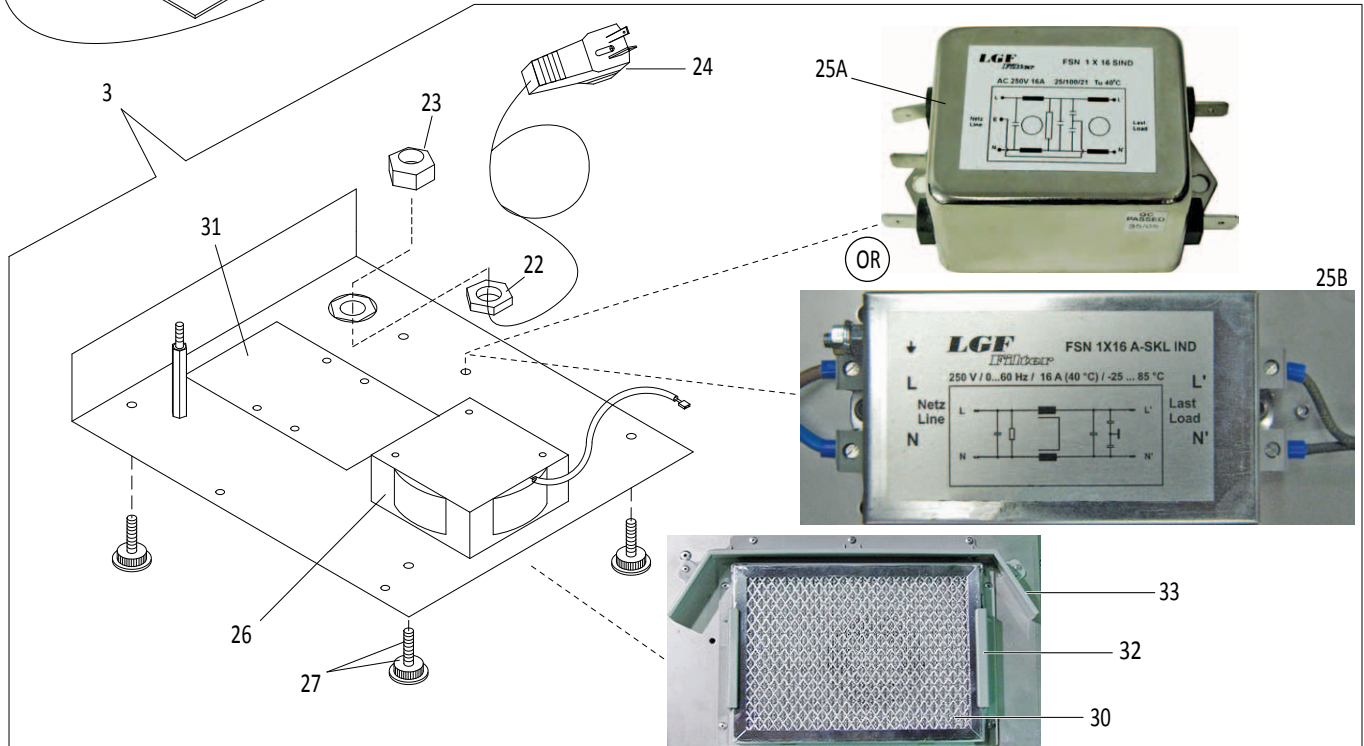
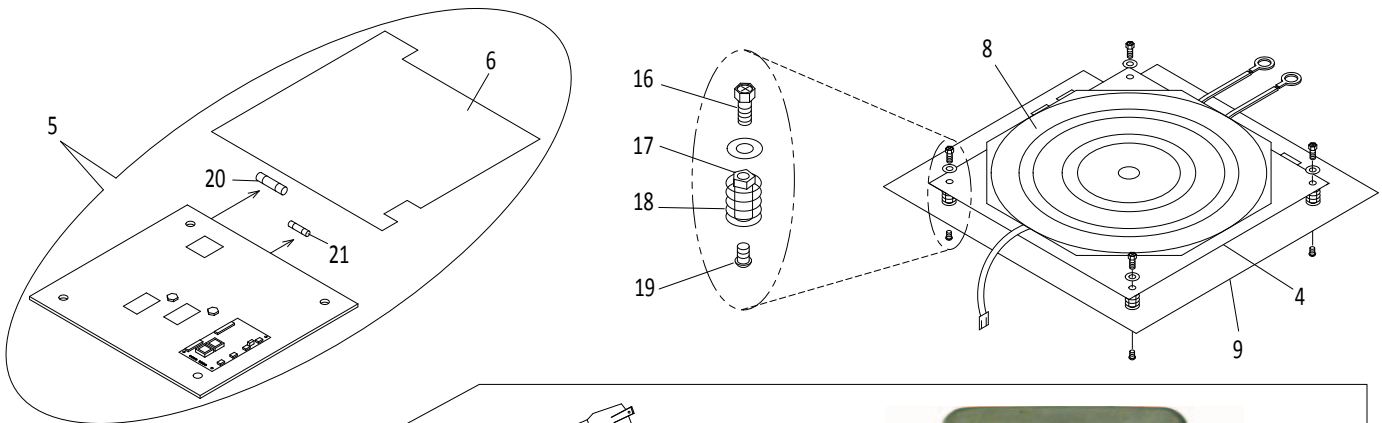
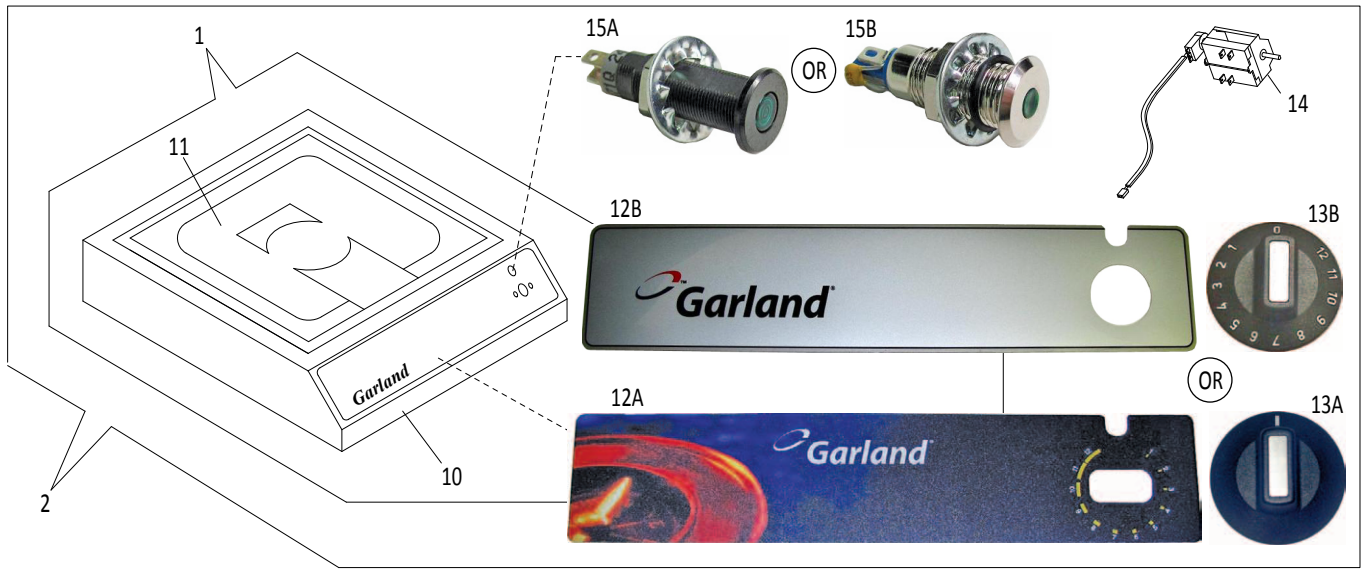
ITEM	PART#	DESCRIPTION	QUANTITY
1	98300100	Upper Case BH/BA Assembly (Includes items 10, 11 & 12)	1
2	98300031	Case Complete Top BH/BA Assembly (Includes items 1, 13, 14 & 15)	1
3	98200003	Base Assembly (Includes items 22 - 28 & 30 - 33)	1
4	93061020	Induction Coil #61.02 With RTCS Sensor	1
5	98021721	Power Board 2.5 kW & 3.5 kW (I217 Version). Board Includes items 6, 20 & 21.	1
IMPORTANT After replacing one or both of items 4 and 5, you MUST RESET ALL PARAMETERS using the IR adapter tool (part# 98990001). Please refer to the service manual for instructions.			
6	72291120	Heat Sink Pad 215 x 98 x 5 mm	1
7	94040050	CU1/CU2 Sensors Note: If replacing only the CU sensor, ensure to initialize with a short circuit plug (P/N 94900096, see "Repair Accessories"). For instructions, refer to Service Manual, section "8.1 How to initialize the CU sensors by the short circuit plug".	1
10	72184020	Upper Case "BH/BA"	1
11	77262001	Ceran Glass 262 x 262 mm	1
12	66000000	Control Label/Overlay	1
13	35624009	Front Indicator Lamp 24V LED Green - Chrome Housing	1
14	94900070	Step Switch With Cable	1
15	39400003	Plastic Knob with Dial 0-9	1
16	60595004	Screw M5 x 12	4
17	65840001	Coil Pin	4
19	60528501	Plastic Screw for Coil, M5 x 8	4
20	34120159	Fuse SUT 15Amps 250V-6.3x32	2
21	34110019	Fuse T1.0A	1
22	39500001	Screw Nut PG 13.5	1
23	39500007	Screwed Cable Gland PG 13.5	1
24	38614035	Power Cord USA Type 6/20A	1
25	39311603	Mains Line Filter 16A	1
26	94090011	Radial Fan 24V DC	1
27	95000120	Foot Complete Assembly, Adjustable	4
30	71000003	Air Intake Filter	1
31	72291120	Heat Sink Pad	1
32	72261030	Frame for Air Intake Filter	1
33	72142470	Air Deflector	1

* NOT ILLUSTRATED

RECOMMENDED STOCK PARTS



RTCS Induction Base Line (Countertop) Cooker
 GI-SH/BA 3500 / Unit# 99560004 / 3.5kW, 208V, 50/60Hz



99560004/99560006

GARLAND PARTS IDENTIFICATION
RTCS Induction Base Line (Countertop) Cooker, 3.5kW 208V 50/60Hz

model **GI-SH/BA 3500 (Unit# 99560004)**

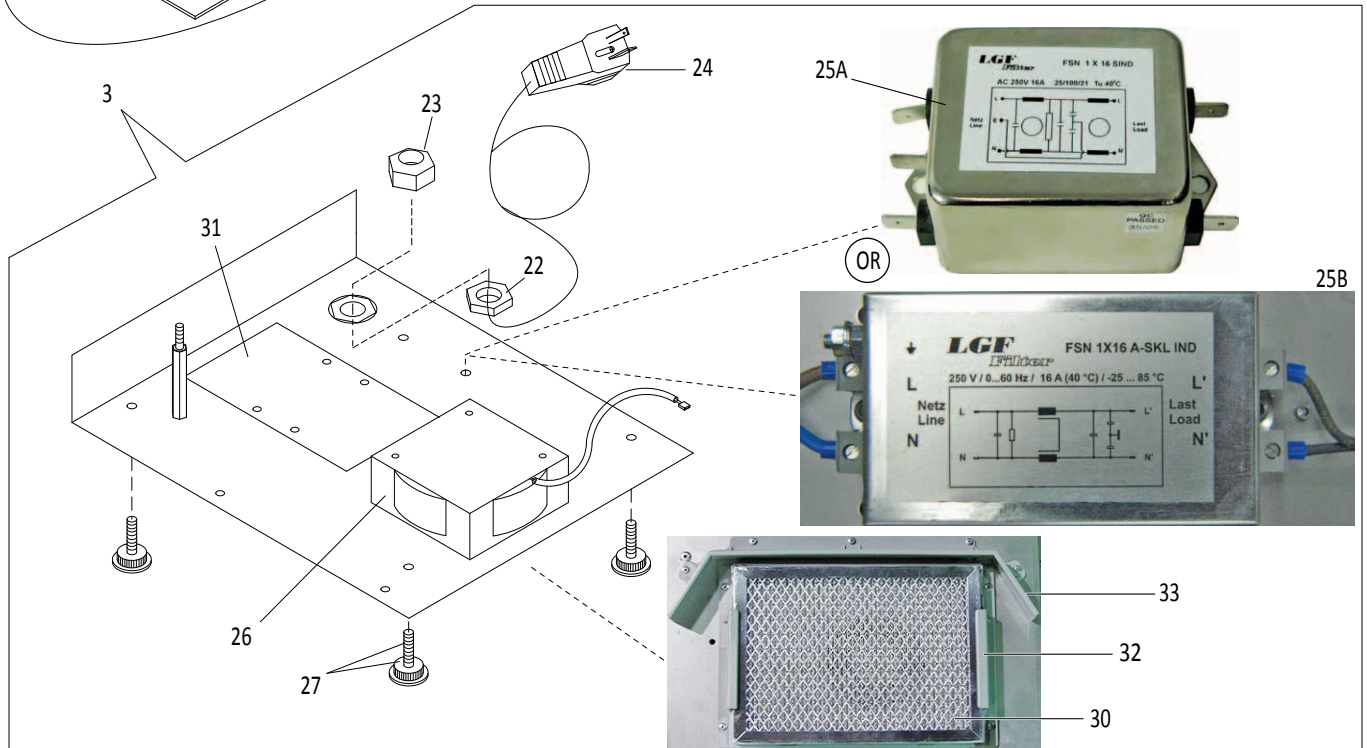
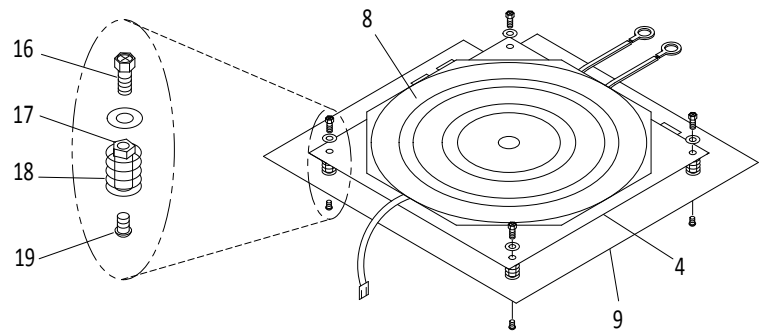
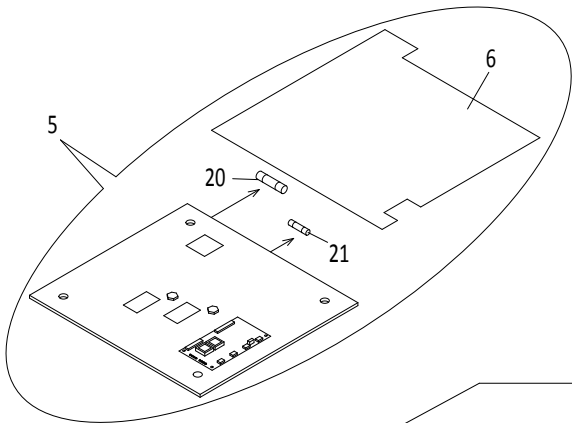
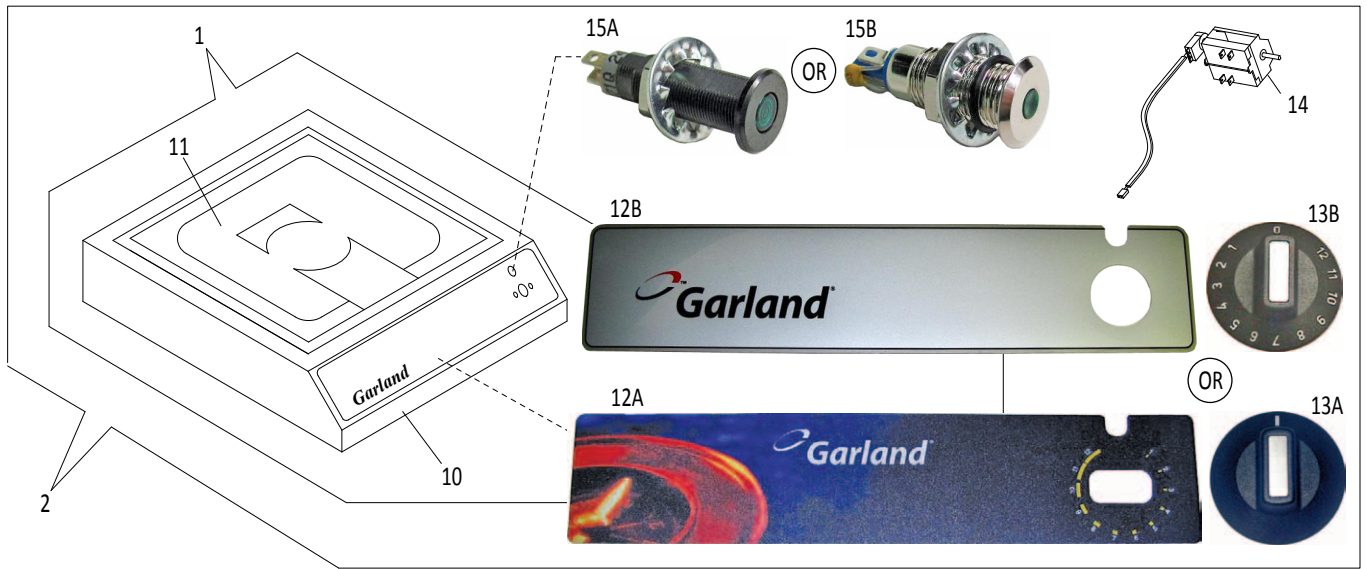
ITEM	PART #	DESCRIPTION	QUANTITY
1	98300101	Upper Case SH/BA Assembly (Includes items 10, 11 & 12)	1
2	98300032	Case Complete Top SH/BA Assembly (Includes items 1, 13, 14 & 15)	1
3	98200027	Base Assembly (Includes items 22 - 28, 30 - 33)	1
4	93003080	Induction Coil #3.08 includes CU Sensors	1
5	98021721	Power Board 3.5kW (I217 Version). Board Includes items 6, 20 & 21.	1
IMPORTANT After replacing one or both of items 4 and 5, you MUST RESET ALL PARAMETERS using the IR adapter tool (part# 98990001). Please refer to the service manual for instructions.			
6	72291120	Heat Sink Pad 215 x 98 x 5 mm	1
8	94040050	CU1/CU2 Sensors Note: If replacing only the CU sensor, ensure to initialize with a short circuit plug (P/N 94900096, see "Repair Accessories"). For instructions, refer to Service Manual, section "8.1 How to initialize the CU sensors by the short circuit plug".	1
9	72115028	Coil Carrier Sheet – Single	1
10	72140130	Upper Case "SH/BA"	1
11	77322001	Ceran Glass 320x320mm	1
12A	3012601	Control Label/Overlay (0-12) Note: Designed to use with Knob (13A) part# 39400004.	1
12B	66000002	Control Label/Overlay Note: Designed to use with Knob (13B) part# 39400001.	1
13A	39400004	Plastic Knob, Plain Note: Designed to use with Label/Overlay (12A) part# 3012601.	1
13B	39400001	Plastic Knob, with Dail 0-12 Note: Designed to use with Label/Overlay (12B) part# 660000021.	1
14	94010011	Power Switch - includes Potentiometer & Cable (4-pole) SH	1
15A	35624001	Front Indicator Lamp 24V LED Green - Black Housing Note: NOT interchangeable with item 15B .	1
15B	35624009	Front Indicator Lamp 24V LED Green - Chrome Housing Note: NOT interchangeable with item 15A .	1
16	60595004	Screws M5 x 12	4
17	65840001	Coil Pin	4
18	73000002	Coil Spring	4
19	60528501	Plastic Screws For Coil M5x8	4
20	34120159	Fuse SUT 15amp 250v 6.3x32	2
21	34110019	Fuse T1.0A	1
22	39500001	Screw Nut PG 13.5	1
23	39500007	Screwed Cable Gland PG 13.5	1
24	38614035	Power Cord USA Typ 6/20A	1
25A	39311602	Mains Line Filter 16A Note: Used UP TO serial# BA04.00103.1011	1
25B	39311603	Mains Line Filter 16A Note: Used FROM serial# BA04.00104.1011	1
IMPORTANT Line Filters 25A and 25B are NOT interchangeable. When ordering for a replacement part, ensure you check both the serial# and the type of filter used in your unit.			
26	94090011	Radial Fan 24V DC	1
27	95000120	Foot Complete Assembly, Adjustable	4
30	71000003	Air Intake Filter	1
31	72291120	Heat - Sink Pad	1
32	72261030	Frame for Air Intake Filter	1
33	72142470	Air Deflector	1

* NOT ILLUSTRATED

RECOMMENDED STOCK PARTS



RTCS Induction Base Line (Countertop) Cooker
 GI-SH/BA 3500 / Unit# 99560006 / 3.5kW, 240V, 50/60Hz



99560004/99560006

GARLAND PARTS IDENTIFICATION
RTCS Induction Base Line (Countertop) Cooker, 3.5kW 240V 50/60Hz

model **GI-SH/BA 3500 (Unit# 99560006)**

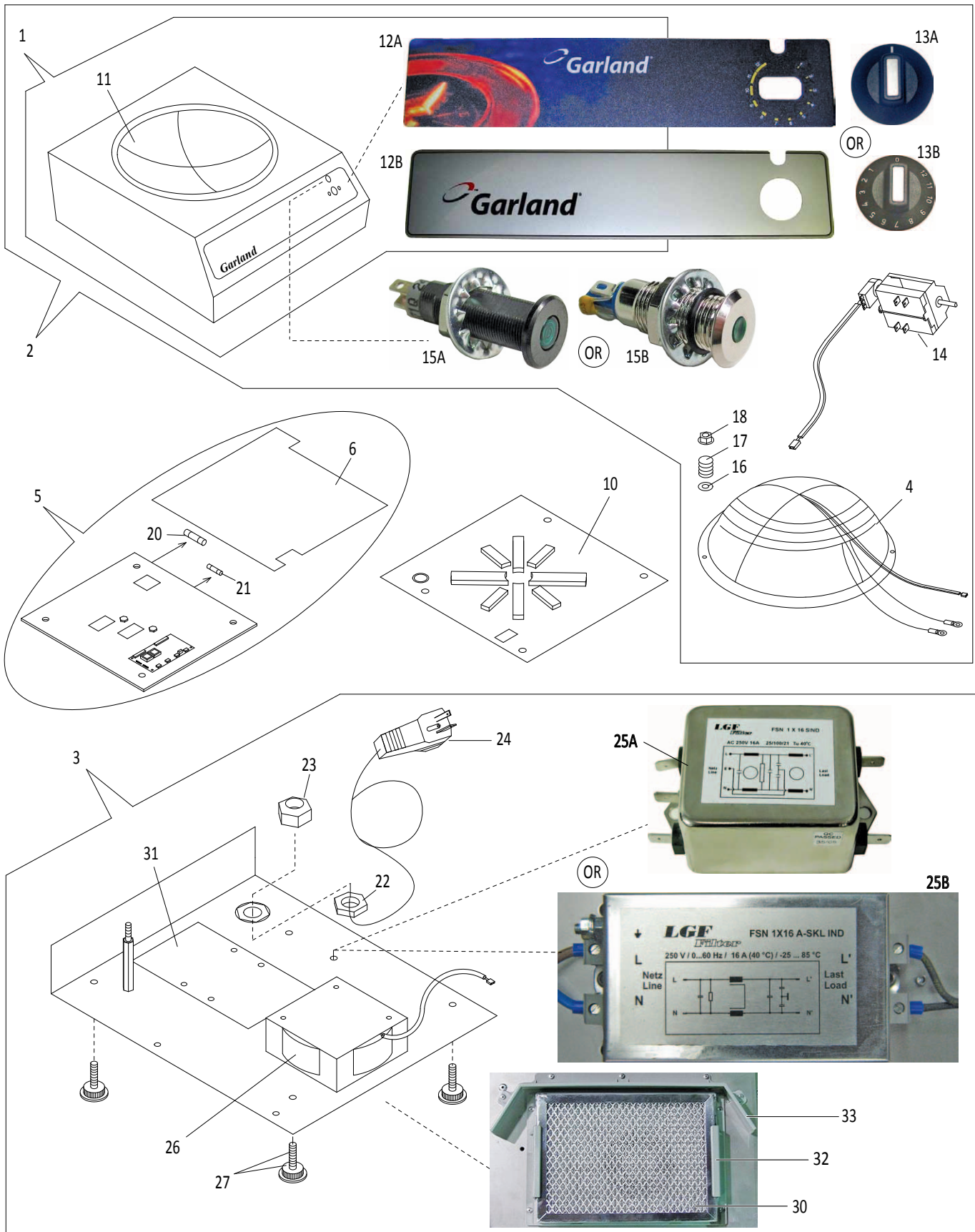
ITEM	PART #	DESCRIPTION	QUANTITY
1	98300101	Upper Case SH/BA Assembly (Includes items 10, 11 & 12)	1
2	98300032	Case Complete Top SH/BA Assembly (Includes items 1, 13, 14 & 15)	1
3	98200027	Base Assembly (Includes items 22 - 28, 30 - 33)	1
4	93003080	Induction Coil #3.08 includes CU Sensors	1
5	98021721	Power Board 3.5kW (I217 Version). Board Includes items 6, 20 & 21.	1
IMPORTANT After replacing one or both of items 4 and 5, you MUST RESET ALL PARAMETERS using the IR adapter tool (part# 98990001). Please refer to the service manual for instructions.			
6	72291120	Heat Sink Pad 215 x 98 x 5 mm	1
8	94040050	CU1/CU2 Sensors Note: If replacing only the CU sensor, ensure to initialize with a short circuit plug (P/N 94900096, see "Repair Accessories"). For instructions, refer to Service Manual, section "8.1 How to initialize the CU sensors by the short circuit plug".	1
9	72115028	Coil Carrier Sheet – Single	1
10	72140130	Upper Case "SH/BA"	1
11	77322001	Ceran Glass 320x320mm	1
12A	3012601	Control Label/Overlay (0-12) Note: Designed to use with Knob (13A) part# 39400004.	1
12B	66000002	Control Label/Overlay Note: Designed to use with Knob (13B) part# 39400001.	1
13A	39400004	Plastic Knob, Plain Note: Designed to use with Label/Overlay (12A) part# 3012601.	1
13B	39400001	Plastic Knob, with Dial 0-12 Note: Designed to use with Label/Overlay (12B) part# 660000021.	1
14	94010011	Power Switch - includes Potentiometer & Cable (4-pole) SH	1
15A	35624001	Front Indicator Lamp 24V LED Green - Black Housing Note: NOT interchangeable with item 15B .	1
15B	35624009	Front Indicator Lamp 24V LED Green - Chrome Housing Note: NOT interchangeable with item 15A .	1
16	60595004	Screws M5 x 12	4
17	65840001	Coil Pin	4
18	73000002	Coil Spring	4
19	60528501	Plastic Screws For Coil M5x8	4
20	34120159	Fuse SUT 15amp 250v 6.3x32	2
21	34110019	Fuse T1.0A	1
22	39500001	Screw Nut PG 13.5	1
23	39500007	Screwed Cable Gland PG 13.5	1
24	38614035	Power Cord USA Typ 6/20A	1
25A	39311602	Mains Line Filter 16A Note: Used UP TO serial# BA06.00098.0211	1
25B	39311603	Mains Line Filter 16A Note: Used FROM serial# BA06.00099.1111	1
IMPORTANT Line Filters 25A and 25B are NOT interchangeable. When ordering for a replacement part, ensure you check both the serial# and the type of filter used in your unit.			
26	94090011	Radial Fan 24V DC	1
27	95000120	Foot Complete Assembly, Adjustable	4
30	71000003	Air Intake Filter	1
31	72291120	Heat - Sink Pad	1
32	72261030	Frame for Air Intake Filter	1
33	72142470	Air Deflector	1

* NOT ILLUSTRATED

RECOMMENDED STOCK PARTS



RTCS Induction Cooker - Countertop Wok Line
 GI-SH/WO 3500 / Unit# 99570001 / 3.5kW, 208V, 50/60Hz



99570001 / 99570003

**GARLAND PARTS IDENTIFICATION
RTCS Induction Cooker Countertop Wok Line
3.5kW 208V 50/60Hz**

model GI-SH/WO 3500 (Unit# 99570001)

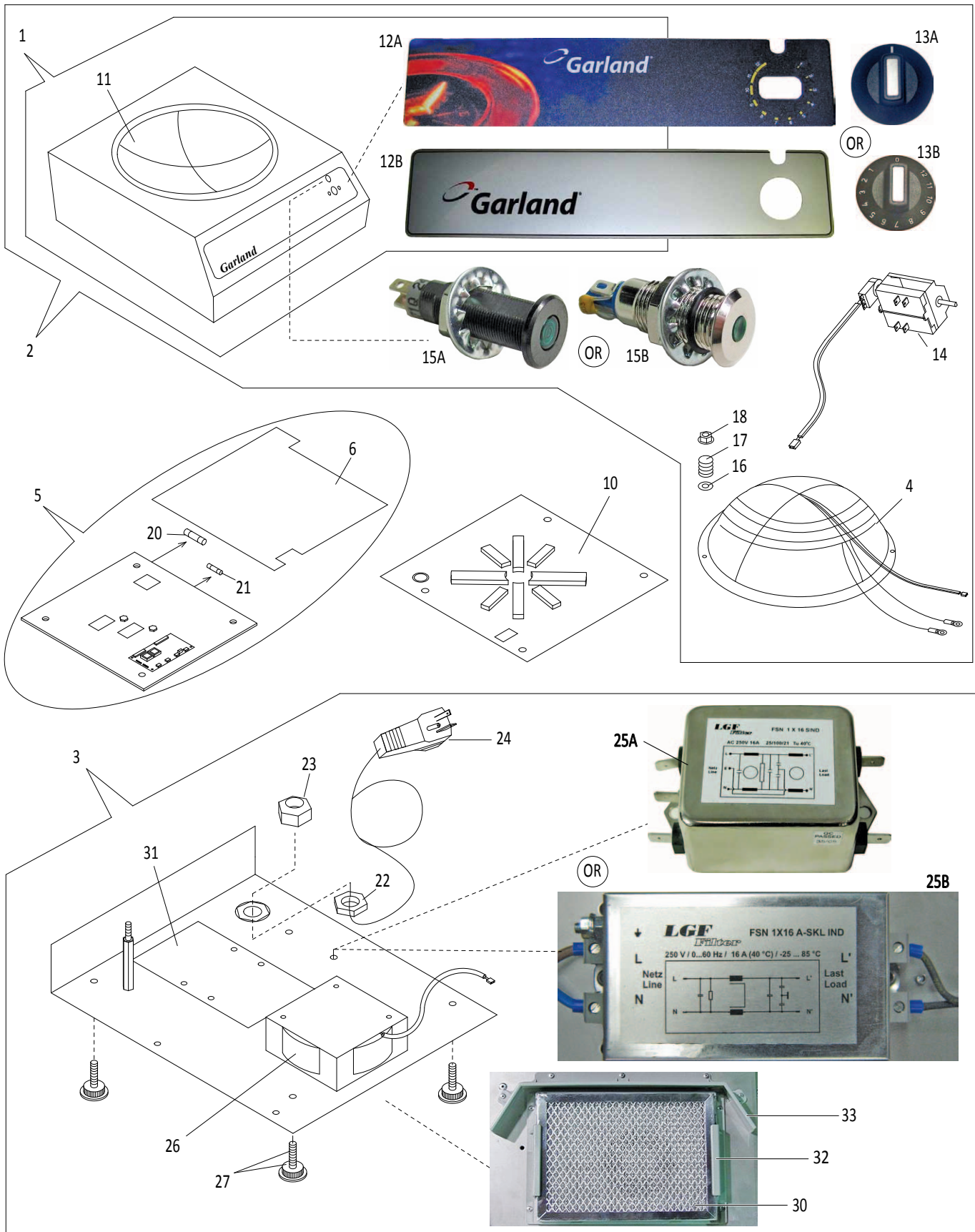
ITEM	PART #	DESCRIPTION	QUANTITY
1	98300108	Upper Case SH/WO Assembly (Includes items 11 & 12)	1
2	98300033	Top Case Complete Assembly (Includes items 1, 4, 13, 14, 15, 16, 17 & 18)	1
3	98200027	Base Assembly (Includes items 22 - 30, 31 - 33)	1
4	93203011	Induction Wok Coil #203.01 with Sensor	1
5	98021722-208V	Power Board WOK 3.5kW (I217 Version). Board includes items 6, 20 & 21.	1
6	72291120	Heat Sink Pad 215 x 98 x 5 mm	1
10	98100101	Sheet Metal with Ferrit	1
11	77302001	Ceran Wok Bowl Note: Item listed for reference only. Not Sold Separately.	1
12A	3012601	Control Label/Overlay (0-12) Note: Designed to use with Knob (13A) part# 39400004.	1
12B	66000002	Control Label/Overlay Note: Designed to use with Knob (13B) part# 39400001.	1
13A	39400004	Plastic Knob, Plain Note: Designed to use with Label/Overlay (12A) part# 3012601.	1
13B	39400001	Plastic Knob, with Dail 0-12 Note: Designed to use with Label/Overlay (12B) part# 660000021.	1
14	94010011	Power Switch - includes Potentiometer & Cable (4-pole) SH	1
15A	35624001	Front Indicator Lamp 24V LED Green - Black Housing Note: NOT interchangeable with item 15B .	1
15B	35624009	Front Indicator Lamp 24V LED Green - Chrome Housing Note: NOT interchangeable with item 15A .	1
16	60056702	Washer	4
17	73000004	Compression Spring	4
18	60678301	Nut	4
20	34120159	Fuse SUT 15amp 250v 6.3x32	2
21	34110019	Fuse T 1.0A	1
22	39500001	Screw nut PG 13.5	1
23	39500007	Screwed Cable Gland PG 13.5	1
24	38614035	Power Cord USA Typ 6/20A	1
25A	39311602	Mains Line Filter 16A Note: Used UP TO serial# WO01.00148.0911	1
25B	39311603	Mains Line Filter 16A Note: Used FROM serial# WO01.00149.0911	1
IMPORTANT Line Filters 25A and 25B are NOT interchangeable. When ordering for a replacement part, ensure you check both the serial# and the type of filter used in your unit.			
26	94090011	Radial Fan 24V DC	1
27	95000120	Foot Complete Assembly, Adjustable	4
30	71000003	Air Intake Filter	1
31	72291120	Heat - Sink Pad	1
32	72261030	Frame for Air Intake Filter	1
33	72142470	Air Deflector	1

* NOT ILLUSTRATED

RECOMMENDED STOCK PARTS



RTCS Induction Cooker - Countertop Wok Line
 GI-SH/WO 3500 / Unit# 99570003 / 3.5kW, 240V, 50/60Hz



99570001 / 99570003

GARLAND PARTS IDENTIFICATION
RTCS Induction Cooker Countertop Wok Line
3.5kW 240V 50/60Hz

model GI-SH/WO 3500 (Unit# 99570003)

ITEM	PART #	DESCRIPTION	QUANTITY
1	98300108	Upper Case SH/WO Assembly (Includes items 11 & 12)	1
2	98300033	Top Case Complete Assembly (Includes items 1, 4, 13, 14, 15, 16, 17 & 18)	1
3	98200027	Base Assembly (Includes items 22, 23, 24, 25, 26, 27, 28, 30, 31, 32, 33)	1
4	93203011	Induction Wok Coil #203.01 with Sensor	1
5	98021722-240V	Power Board WOK 3.5kW (I217 Version). Board includes items 6, 20 & 21.	1
6	72291120	Heat Sink Pad 215 x 98 x 5 mm	1
10	98100101	Sheet Metal with Ferrit	1
11	77302001	Ceran Wok Bowl Note: Item listed for reference only. Not Sold Separately.	1
12A	3012601	Control Label/Overlay (0-12) Note: Designed to use with Knob (13A) part# 39400004.	1
12B	66000002	Control Label/Overlay Note: Designed to use with Knob (13B) part# 39400001.	1
13A	39400004	Plastic Knob, Plain Note: Designed to use with Label/Overlay (12A) part# 3012601.	1
13B	39400001	Plastic Knob, with Dail 0-12 Note: Designed to use with Label/Overlay (12B) part# 660000021.	1
14	94010011	Power Switch - includes Potentiometer & Cable (4-pole) SH	1
15A	35624001	Front Indicator Lamp 24V LED Green - Black Housing Note: NOT interchangeable with item 15B .	1
15B	35624009	Front Indicator Lamp 24V LED Green - Chrome Housing Note: NOT interchangeable with item 15A .	1
16	60056702	Washer	4
17	73000004	Compression Spring	4
18	60678301	Nut	4
20	34120159	Fuse SUT 15amp 250v 6.3x32	2
21	34110019	Fuse T1.0A	1
22	39500001	Screw nut PG 13.5	1
23	39500007	Screwed Cable Gland PG 13.5	1
24	38614035	Power Cord USA Typ 6/20A	1
25A	39311602	Mains Line Filter 16A Note: Used UP TO serial# WO03.00033.0611	1
25B	39311603	Mains Line Filter 16A Note: Used FROM serial# WO03.00034.1111	1
IMPORTANT Line Filters 25A and 25B are NOT interchangeable. When ordering for a replacement part, ensure you check both the serial# and the type of filter used in your unit.			
26	94090011	Radial Fan 24V DC	1
27	95000120	Foot Complete Assembly, Adjustable	4
30	71000003	Air Intake Filter	1
31	72291120	Heat - Sink Pad	1
32	72261030	Frame for Air Intake Filter	1
33	72142470	Air Deflector	1

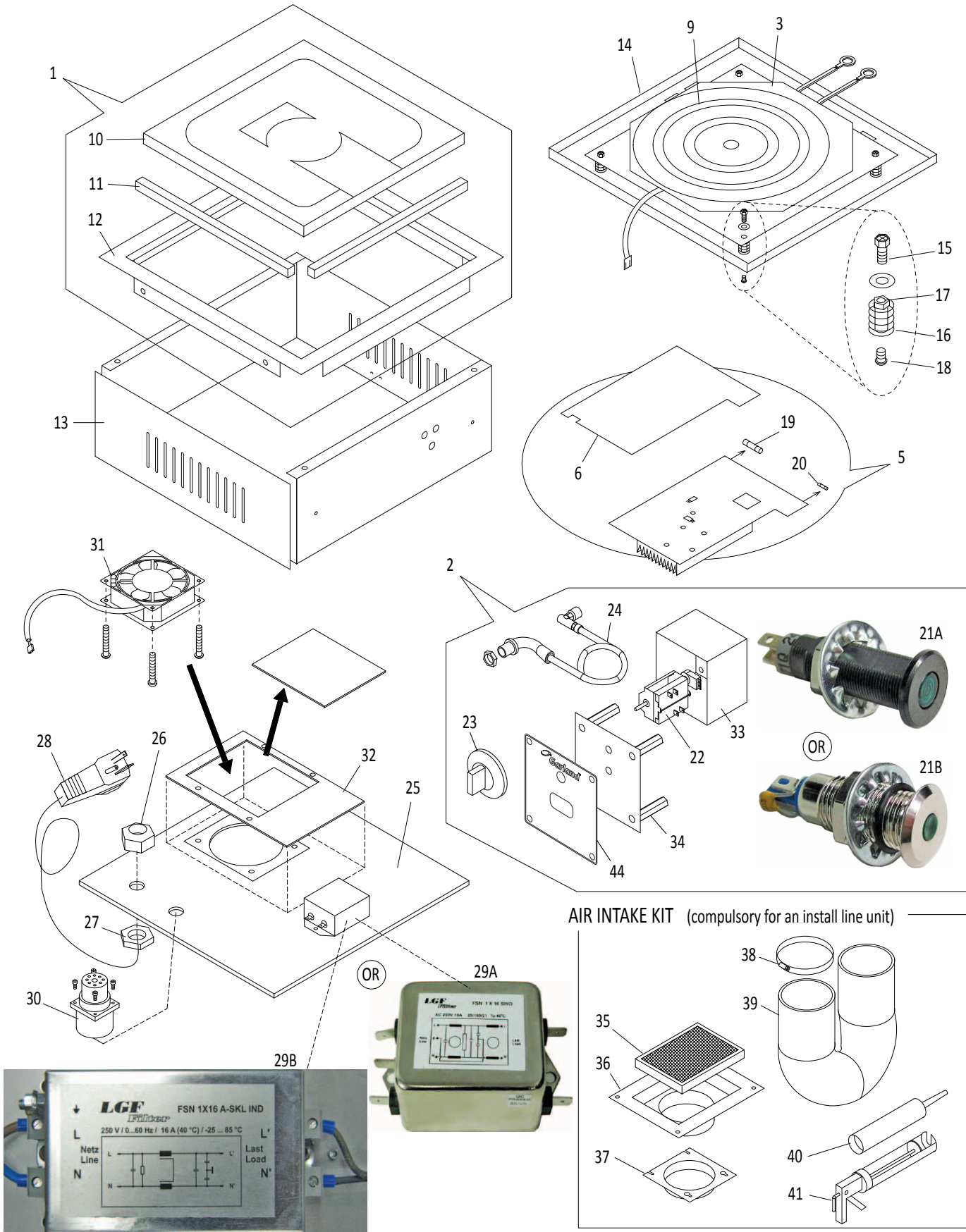
* NOT ILLUSTRATED

RECOMMENDED STOCK PARTS



RTCS Induction Cooker - Install Line

GI-SH/IN 3500 / Unit# 99580004 / 3.5kW, 208V, 50/60Hz



99580004 / 99580006

GARLAND PARTS IDENTIFICATION
RTCS Induction Cooker Install Line, 3.5kW 208V 50/60Hz
model GI-SH/IN 3500 (Unit# 99580004)

ITEM	PART #	DESCRIPTION	QUANTITY
1	98300021	Ceran Glass Top SH/IN Assembly (Includes items 10, 11 & 12)	1
2	94030004	Main Control Assembly (Includes items 21, 22, 23, 24, 33, 34 & 44)	1
3	93003080	Induction Coil #3.08 includes CU Sensors	1
5	98021721	Power Board 2.5kW & 3.5kW (I217 Version). Board Includes items 6, 19 & 20.	1
IMPORTANT After replacing one or both of these items, you MUST RESET ALL PARAMETERS using the IR adapter tool (part# 98990001). Please refer to the service manual for instructions.			
6	72291120	Heat Sink Pad 215 x 98 x 5 mm	1
9	94040050	CU1/CU2 Sensors Note: If replacing only the CU sensor, ensure to initialize with a short circuit plug (P/N 94900096, see "Repair Accessories"). For instructions, refer to Service Manual, section "8.1 How to initialize the CU sensors by the short circuit plug".	1
10	77322001	Ceran Glass 320 x 320 mm	1
11	70000002	Silicone Strips 306 x 6 x 4 mm	4
12	72211032	Mounting Frame (Ceran Glass not included)	1
13	72144551	Front Sheet SH/IN	1
14	72144570	Coil Carrier SH/IN	1
15	60595004	Screws M5 x 12	4
16	73000002	Coil Spring	4
17	65840001	Coil Pin	4
18	60528501	Plastic Screws For Coil M5X8	4
19	34120159	Fuse SUT 15amp 250v 6.3x32	2
20	34110019	Fuse T1.0A	1
21A	35624001	Front Indicator Lamp 24V LED Green - Black Housing Note: NOT interchangeable with item 21B .	1
21B	35624009	Front Indicator Lamp 24V LED Green - Chrome Housing Note: NOT interchangeable with item 21A .	1
22	94010001	Control Switch (2 Pole) w/Potentiometer	1
23	39400001	Plastic Knob 0-12	1
24	32950902	Harness Main Control	1
25	72144510	Bottom Sheet SH/IN	1
26	39500009	Screwed Cable Gland PG 16	1
27	39500003	Screw Nut PG 16	1
28	38614035	Power Cord USA Typ 6/20A	1
29A	39311602	Mains Line Filter 16A Note: Used UP TO serial# IN04.00026.0510	1
29B	39311603	Mains Line Filter 16A Note: Used FROM serial# IN04.00027.0510	1
IMPORTANT Line Filters 29A and 29B are NOT interchangeable. When ordering for a replacement part, ensure you check both the serial# and the type of filter used in your unit.			
30	32960901	Female Plug	1
31	94090002	Axial Fan	1
32	72291120	Heat Sink Pad IMPORTANT: During installation, you must remove and discard the center piece of the Heat Sink Pad for fan ventilation.	1
33	72282180	Connector Box Switch - S/S	1
	72261070	Connector Box Switch - Plastic	1
34	72244100	Front Panel (with NO Guard)	1
35	71000003	Air Intake Filter	1
36	72183091	Grease Filter Holder	1
37	72263020	Air Conductor Holder	1
38	76000002	Clamp	2
39	76000001	Air Conductor Aluminum	1
40	70000015	Silicone Glue PACTAN 7076	1
41	76000003	Chalking Gun - Silicone Glue	1
44	66000067	Label/Overlay - Install-Line (NO Protective Guards)	1

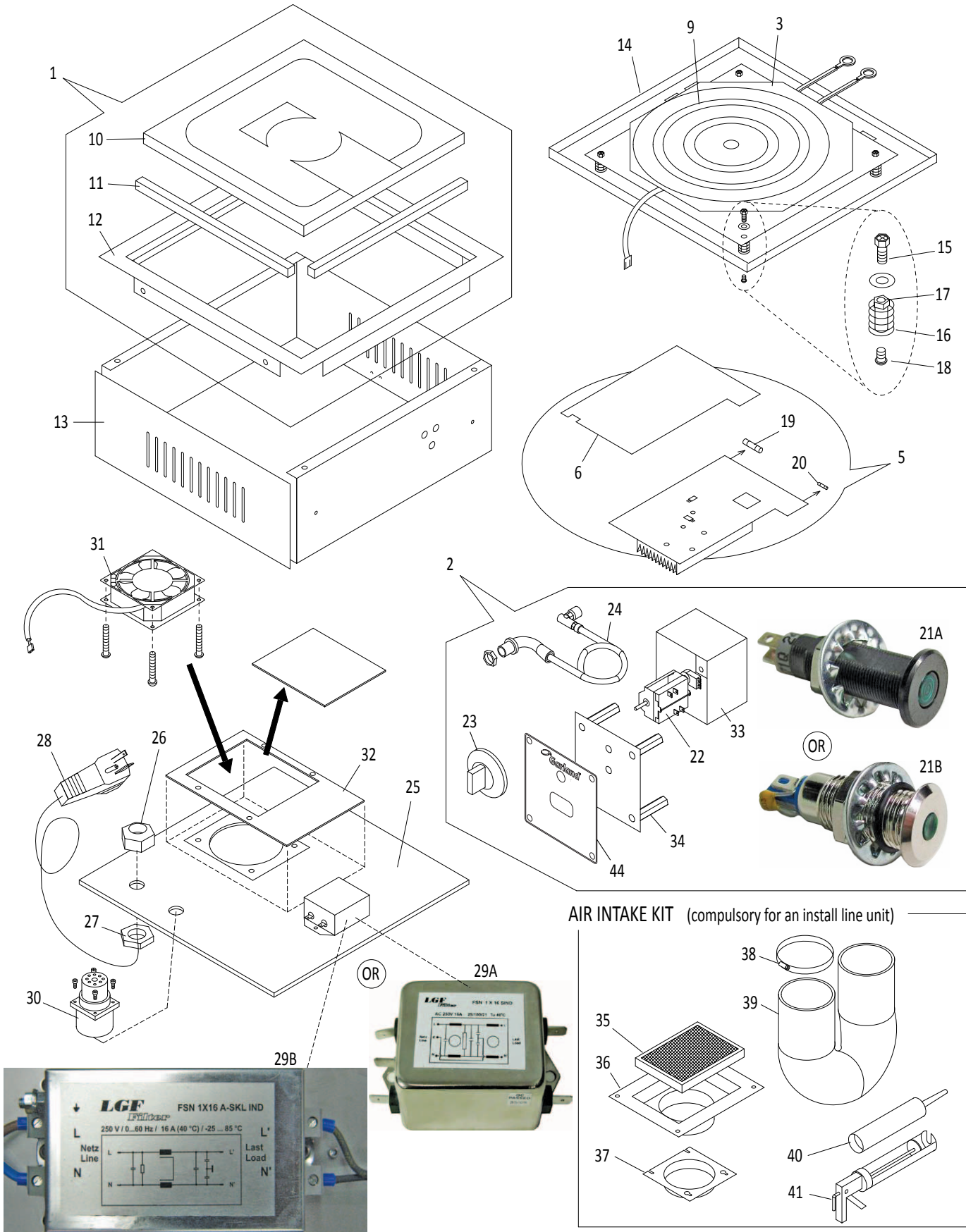
* NOT ILLUSTRATED

RECOMMENDED STOCK PARTS



RTCS Induction Cooker - Install Line

GI-SH/IN 3500 / Unit# 99580006 / 3.5kW, 240V, 50/60Hz



99580004 / 99580006

GARLAND PARTS IDENTIFICATION
RTCS Induction Cooker Install Line, 3.5kW 240V 50/60Hz
model GI-SH/IN 3500 (Unit# 99580006)

ITEM	PART #	DESCRIPTION	QUANTITY
1	98300021	Ceran Glass Top SH/IN Assembly (Includes items 10, 11 & 12)	1
2	94030004	Main Control Assembly (Includes items 21, 22, 23, 24, 33, 34 & 44)	1
3	93003080	Induction Coil #3.08 includes CU Sensors	1
5	98021721	Power Board 2.5kW & 3.5kW (I217 Version). Board Includes items 6, 19 & 20.	1
IMPORTANT After replacing one or both of these items, you MUST RESET ALL PARAMETERS using the IR adapter tool (part# 98990001). Please refer to the service manual for instructions.			
6	72291120	Heat Sink Pad 215 x 98 x 5 mm	1
9	94040050	CU1/CU2 Sensors Note: If replacing only the CU sensor, ensure to initialize with a short circuit plug (P/N 94900096, see "Repair Accessories"). For instructions, refer to Service Manual, section "8.1 How to initialize the CU sensors by the short circuit plug".	1
10	77322001	Ceran Glass 320 x 320 mm	1
11	70000002	Silicone Strips 306 x 6 x 4 mm	4
12	72211032	Mounting Frame (Ceran Glass not included)	1
13	72144551	Front Sheet SH/IN	1
14	72144570	Coil Carrier SH/IN	1
15	60595004	Screws M5 x 12	4
16	73000002	Coil Spring	4
17	65840001	Coil Pin	4
18	60528501	Plastic Screws For Coil M5X8	4
19	34120159	Fuse SUT 15amp 250v 6.3x32	2
20	34110019	Fuse T1.0A	1
21A	35624001	Front Indicator Lamp 24V LED Green - Black Housing Note: NOT interchangeable with item 21B .	1
21B	35624009	Front Indicator Lamp 24V LED Green - Chrome Housing Note: NOT interchangeable with item 21A .	1
22	94010001	Control Switch (2 Pole) w/Potentiometer	1
23	39400001	Plastic Knob 0-12	1
24	32950902	Harness Main Control	1
25	72144510	Bottom Sheet SH/IN	1
26	39500009	Screwed Cable Gland PG 16	1
27	39500003	Screw Nut PG 16	1
28	38614035	Power Cord USA Typ 6/20A	1
29A	39311602	Mains Line Filter 16A Note: Used UP TO serial# IN06.00005.0311	1
29B	39311603	Mains Line Filter 16A Note: Used FROM serial# IN06.00006.0311	1
IMPORTANT Line Filters 29A and 29B are NOT interchangeable. When ordering for a replacement part, ensure you check both the serial# and the type of filter used in your unit.			
30	32960901	Female Plug	1
31	94090002	Axial Fan	1
32	72291120	Heat Sink Pad IMPORTANT: During installation, you must remove and discard the center piece of the Heat Sink Pad for fan ventilation.	1
33	72282180	Connector Box Switch - S/S	1
	72261070	Connector Box Switch - Plastic	1
34	72244100	Front Panel (Without Guard)	1
35	71000003	Air Intake Filter	1
36	72183091	Grease Filter Holder	1
37	72263020	Air Conductor Holder	1
38	76000002	Clamp	2
39	76000001	Air Conductor Aluminum	1
40	70000015	Silicone Glue PACTAN 7076	1
41	76000003	Chalking Gun - Silicone Glue	1
44	66000067	Label/Overlay - Install-Line (NO Protective Guards)	1

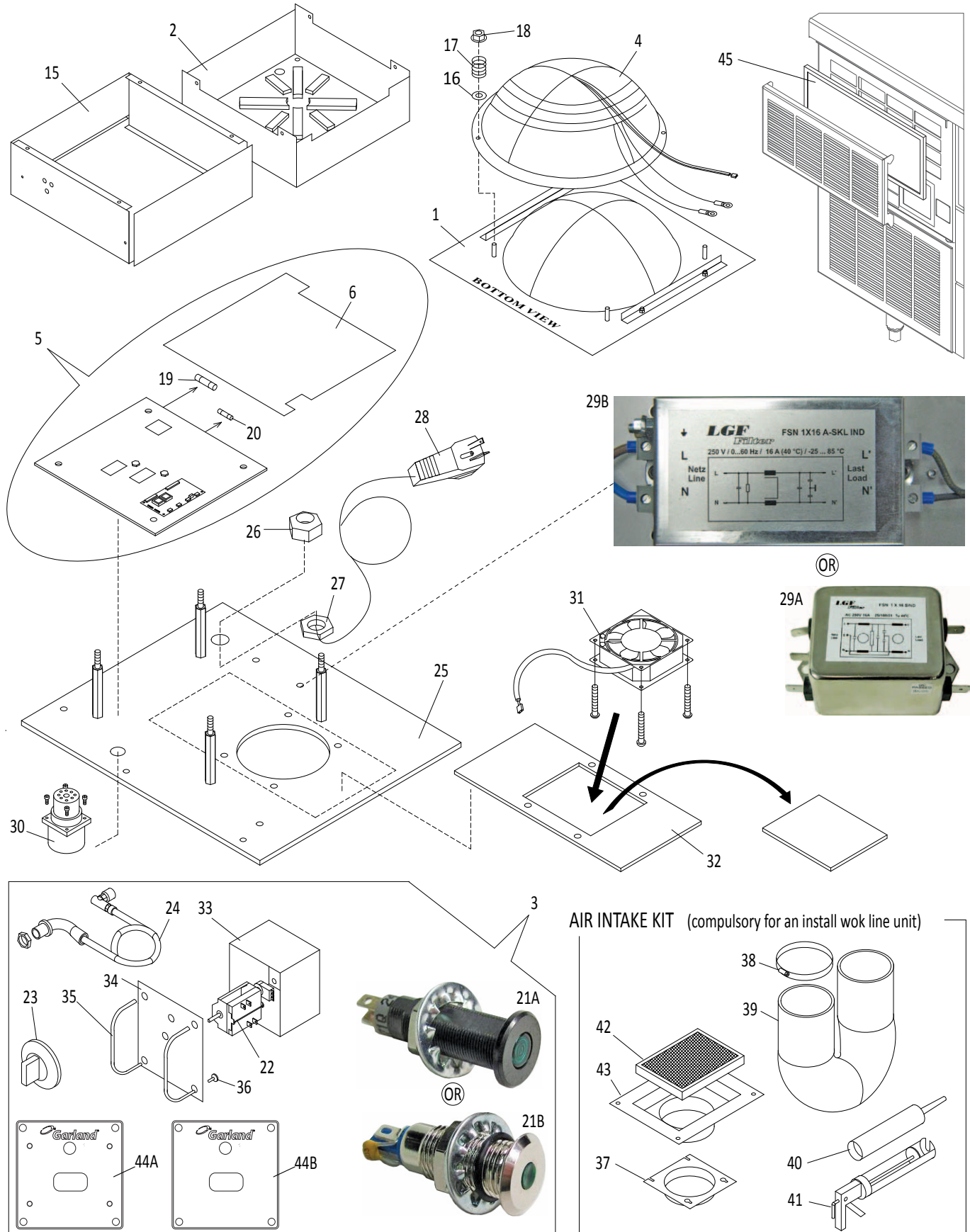
* NOT ILLUSTRATED

RECOMMENDED STOCK PARTS

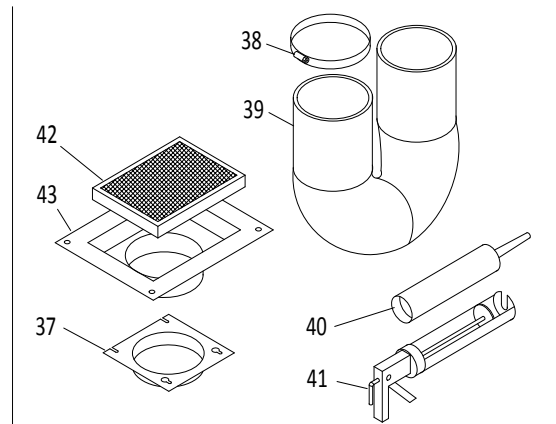


RTCS Induction Cooker - Install Wok Line

GI-SH/WO/IN 3500/ Unit# 99580016/ 3.5kW, 208V, 50/60Hz



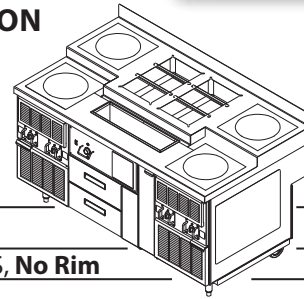
AIR INTAKE KIT (compulsory for an install wok line unit)



GARLAND PARTS IDENTIFICATION

RTCS Induction Cooker Install Wok Line 3.5kW 208V 50/60Hz

model **GI-SH/VO/IN 3500 (Unit# 99580016)**
for **F18MR68R-BP (DIPS68") Pasta Station**



ITEM	PART #	DESCRIPTION	QANTITTY
1	98300112	Ceran Wok Top Assembly (Includes Wok Bowl) - Flat, SS, No Rim	1
2	95141221	Trough with Ferrit for Install Wok Line	1
3	94030050	Main Control Assembly WITH Protection Guards (Includes items 21 - 24, 33 - 36, 44A)	1
	94030004	Main Control Assembly with NO Protection Guards (Incl. items 21 - 24, 33, 34, 44B)	1
4	93203070	Induction Wok Coil #203.07 includes Sensor & Carrier (4 Sides Cut)	1
5	98021722-208V	Power Board WOK 3.5kW (I217 Version). Board includes items 6,19 & 20.	1
6	72291120	Heat Sink Pad 215 x 98 x 5 mm	1
15	72146350	Front Sheet SH/IN	1
16	60056702	Washer	4
17	73000004	Compression Spring	4
18	60678301	Nut	4
19	34120159	Fuse SUT 15amp 250v 6.3x32	2
20	34110019	Fuse T1.0A	1
21A	35624001	Front Indicator Lamp 24V LED Green - Black Housing Note: NOT interchangeable with item 21B .	1
21B	35624009	Front Indicator Lamp 24V LED Green - Chrome Housing Note: NOT interchangeable with item 21A .	1
22	94010001	Control Switch 2 Pole with Potentiometer	1
23	39400001	Plastic Knob with Dial 0-12	1
24	32950902	Harness Main Control	1
25	72144510	Bottom Sheet SH/IN	1
26	39500009	Screwed Cable Gland PG 16	1
27	39500003	Screw Nut PG 16	1
28	38614035	Power Cord USA Typ 6/20A	1
29A	39311602	Mains Line Filter 16A Note: Used UP TO serial# IN16.00937.0711	1
29B	39311603	Mains Line Filter 16A Note: Used FROM serial# IN16.00938.1111	1
IMPORTANT Line Filters 29A and 29B are NOT interchangeable. When ordering for a replacement part, ensure you check both the serial# and the type of filter used in your unit.			
30	32960901	Female Plug	1
31	94090002	Axial Fan (SH/IN Models)	1
32	72291120	Heat Sink Pad IMPORTANT: During installation, you must remove and discard the center piece of the Heat Sink Pad for fan ventilation.	1
33	72282180	Connector Box Switch - S/S	1
	72261070	Connector Box Switch - Plastic	1
34	72300070	Front Panel (WITH Protective Guards)	1
	72244100	Front Panel (NO Protective Guards)	1
35	71000030	Protection Guards	2
36	60333302	Mounting Screws for Protective Guards	4
37	72263020	Air Conductor Holder	1
38	76000002	Clamp	2
39	76000001	Air Conductor Aluminum	1
40	70000015	Silicone Glue PACTAN 7076	1
41	76000003	Chalking Gun - Silicone Glue	1
42	71000003	Air Intake Filter	1
43	72183091	Grease Filter Holder	1
44A	66000068	Label/Overlay - Install-Line (WITH Protective Guards)	1
44B	66000067	Label/Overlay - Install-Line (NO Protective Guards)	1
45	BPP00033	Filter for Paster Station - 6 1/8" x 7"	2

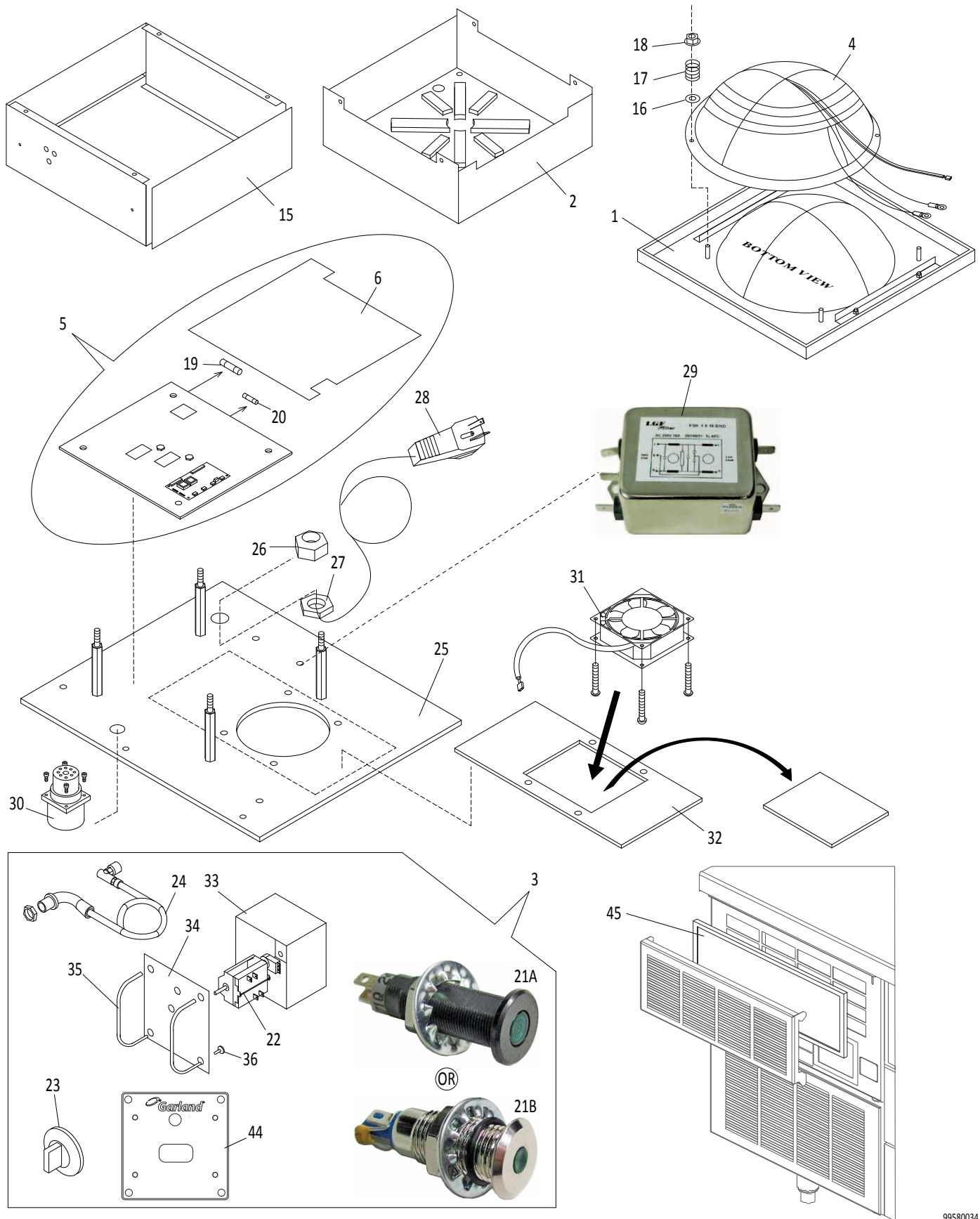
* NOT ILLUSTRATED

RECOMMENDED STOCK PARTS



RTCS Induction Cooker - Install Wok Line

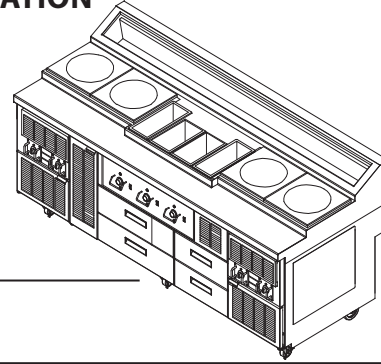
GI-SH/WO/IN 3500/ Unit# 99580034/ 3.5kW, 208V, 50/60Hz



GARLAND PARTS IDENTIFICATION

**RTCS Induction Cooker Install Wok Line
3.5kW 208V 50/60Hz**

model **GI-SH/WO/IN 3500 (Unit# 99580034)**
for **F18RC93-BPL (DIPS93") Pasta Station**



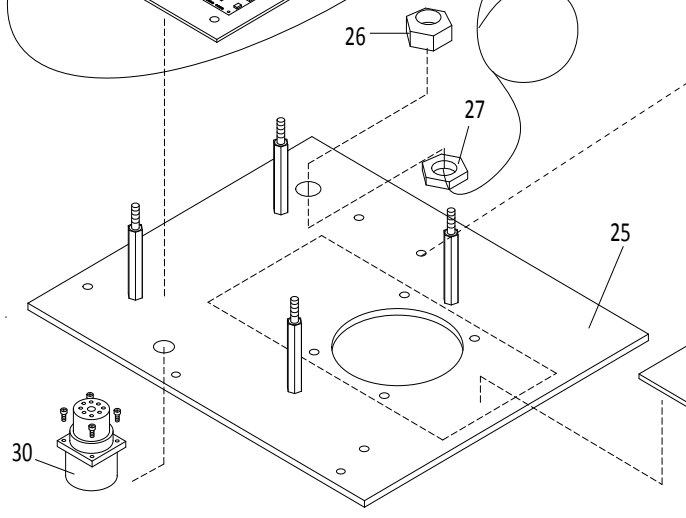
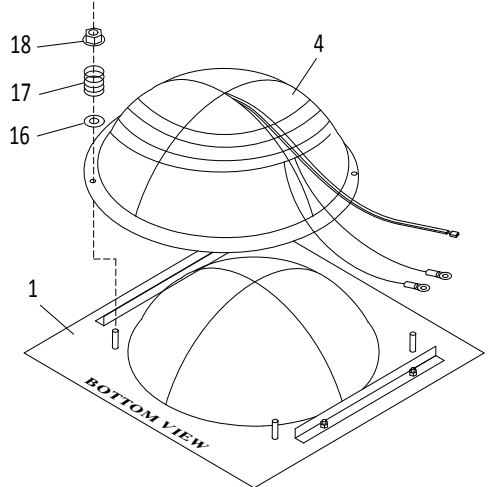
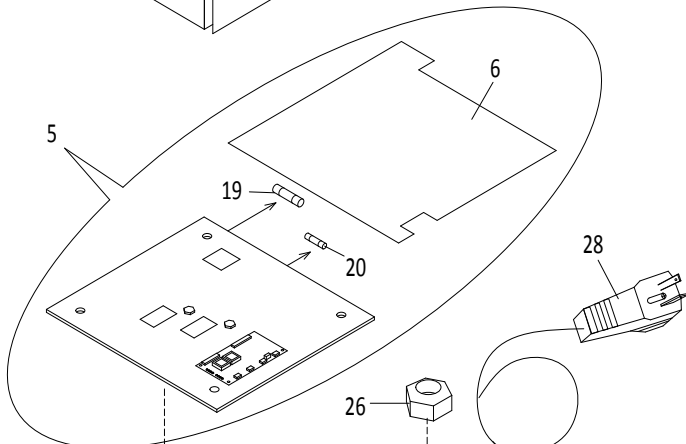
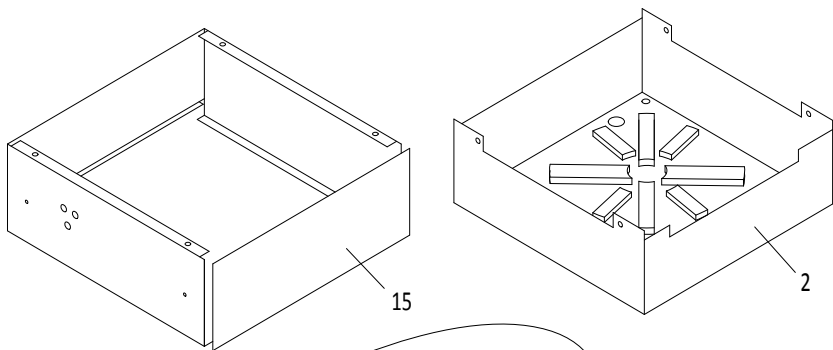
ITEM	PART #	DESCRIPTION	QANTITTY
1	98300118	Ceran Wok Top Assembly (Includes Wok Bowl) - Raised Rim, SS	1
2	95141221	Trough with Ferrit for Install Wok Line	1
3	94030050	Main Control Assembly WITH Protection Guards (Includes items 21 - 24, 33 - 36, 44)	1
4	93203070	Induction Wok Coil #203.07 includes Sensor & Carrier (4 Sides Cut)	1
5	98021722-208V	Power Board WOK 3.5kW (I217 Version). Board includes items 6, 19 & 20.	1
6	72291120	Heat Sink Pad 215 x 98 x 5 mm	1
15	72146350	Front Sheet SH/IN	1
16	60056702	Washer	4
17	73000004	Compression Spring	4
18	60678301	Nut	4
19	34120159	Fuse SUT 15amp 250v 6.3x32	2
20	34110019	Fuse T1.0A	1
21A	35624001	Front Indicator Lamp 24V LED Green - Black Housing Note: NOT interchangeabe with item 21B .	1
21B	35624009	Front Indicator Lamp 24V LED Green - Chrome Housing Note: NOT interchangeabe with item 21A .	1
22	94010001	Control Switch 2 Pole with Potentiometer	1
23	39400001	Plastic Knob with Dial 0-12	1
24	32950902	Harness Main Control	1
25	72144510	Bottom Sheet SH/IN	1
26	39500009	Screwed Cable Gland PG 16	1
27	39500003	Screw Nut PG 16	1
28	38614035	Power Cord USA Typ 6/20A	1
29	39311602	Mains Line Filter 16A	1
30	32960901	Female Plug	1
31	94090002	Axial Fan (SH/IN Models)	1
32	72291120	Heat Sink Pad IMPORTANT: During installation, you must remove and discard the center piece of the Heat Sink Pad for fan ventilation.	1
33	72282180	Connector Box Switch - S/S	1
	72261070	Connector Box Switch - Plastic	1
34	72300070	Front Panel (WITH Protective Guards)	1
35	71000030	Protection Guards	2
36	60333302	Mounting Screws for Protective Guards	4
44	66000068	Label/Overlay - Install-Line (WITH Protective Guards)	1
45	BPP00033	Filter for Paster Station - 6 1/8" x 7"	2

* NOT ILLUSTRATED
RECOMMENDED STOCK PARTS

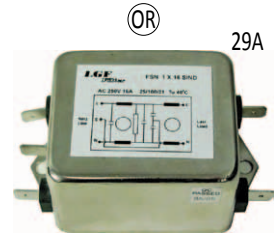


RTCS Induction Cooker - Install Wok Line

GI-SH/WO/IN 3500/ Unit# 99580018/ 3.5kW, 240V, 50/60Hz

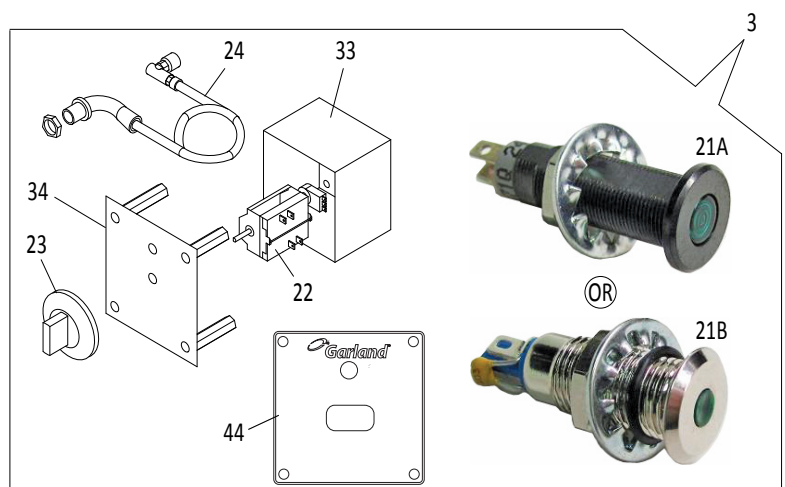
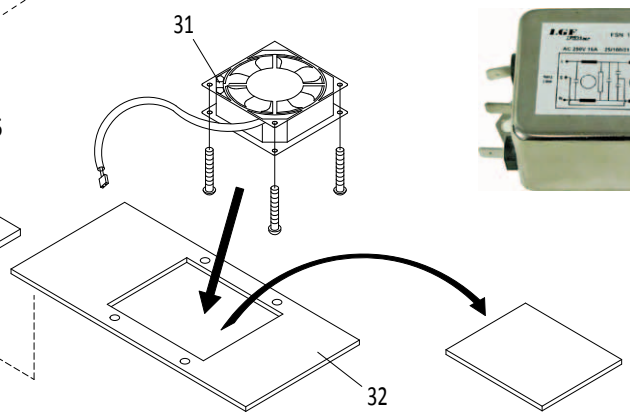


29B



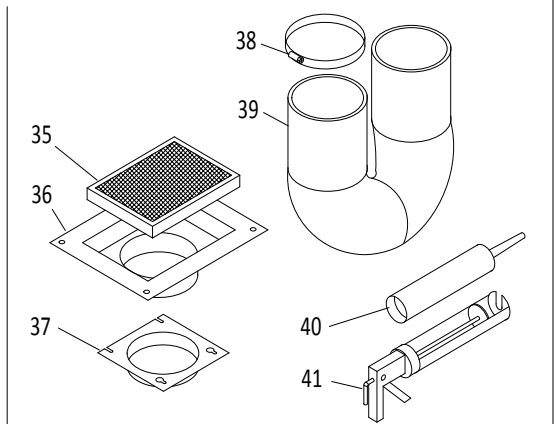
29A

OR



OR

AIR INTAKE KIT (compulsory for an install wok line unit)



**GARLAND PARTS IDENTIFICATION
RTCS Induction Cooker Install Wok Line
3.5kW 240V 50/60Hz**

model **GI-SH/WO/IN 3500 (Unit# 99580018)**

ITEM	PART #	DESCRIPTION	QANTITTY
1	98300112	Ceran Wok Top Assembly (Includes Wok Bowl)	1
2	95141221	Trough with Ferrit for Install Wok Line	1
3	94030004	Main Control Assembly (NO Knob Protection Guards) (Includes items 21- 24, 33 - 34, 44)	1
4	93203070	Induction Wok Coil #203.07 includes Sensor & Carrier (4 Sides Cut)	1
5	98021722-240V	Power Board WOK 3.5kW (I217 Version). Board includes items 6,19 & 20.	1
6	72291120	Heat Sink Pad 215 x 98 x 5 mm	1
15	72146350	Front Sheet SH/IN	1
16	60056702	Washer	4
17	73000004	Compression Spring	4
18	60678301	Nut	4
19	34120159	Fuse SUT 15amp 250v 6.3x32	2
20	34110019	Fuse T1.0A	1
21A	35624001	Front Indicator Lamp 24V LED Green - Black Housing Note: NOT interchangeable with item 21B .	1
21B	35624009	Front Indicator Lamp 24V LED Green - Chrome Housing Note: NOT interchangeable with item 21A .	1
22	94010001	Control Switch 2 Pole with Potentiometer	1
23	39400001	Plastic Knob with Dial 0-12	1
24	32950902	Harness Main Control	1
25	72144510	Bottom Sheet SH/IN	1
26	39500009	Screwed Cable Gland PG 16	1
27	39500003	Screw Nut PG 16	1
28	38614035	Power Cord USA Typ 6/20A	1
29A	39311602	Mains Line Filter 16A Note: Used UP TO serial# IN18.00006.0410	1
29B	39311603	Mains Line Filter 16A Note: Used FROM serial# IN18.00007.0410	1
IMPORTANT Line Filters 29A and 29B are NOT interchangeable. When ordering for a replacement part, ensure you check both the serial# and the type of filter used in your unit.			
30	32960901	Female Plug	1
31	94090002	Axial Fan (SH/IN Models)	1
32	72291120	Heat Sink Pad IMPORTANT: During installation, you must remove and discard the center piece of the Heat Sink Pad for fan ventilation.	1
33	72282180	Connector Box Switch - S/S	1
	72261070	Connector Box Switch - Plastic	1
34	72244100	Front Panel (NO Knob Protection Guards)	1
35	71000003	Air Intake Filter	1
36	72183091	Grease Filter Holder	1
37	72263020	Air Conductor Holder	1
38	76000002	Clamp	2
39	76000001	Air Conductor Aluminum	1
40	70000015	Silicone Glue PACTAN 7076	1
41	76000003	Chalking Gun - Silicone Glue	1
44	66000067	Label/Overlay - Install-Line (NO Protective Guards)	1

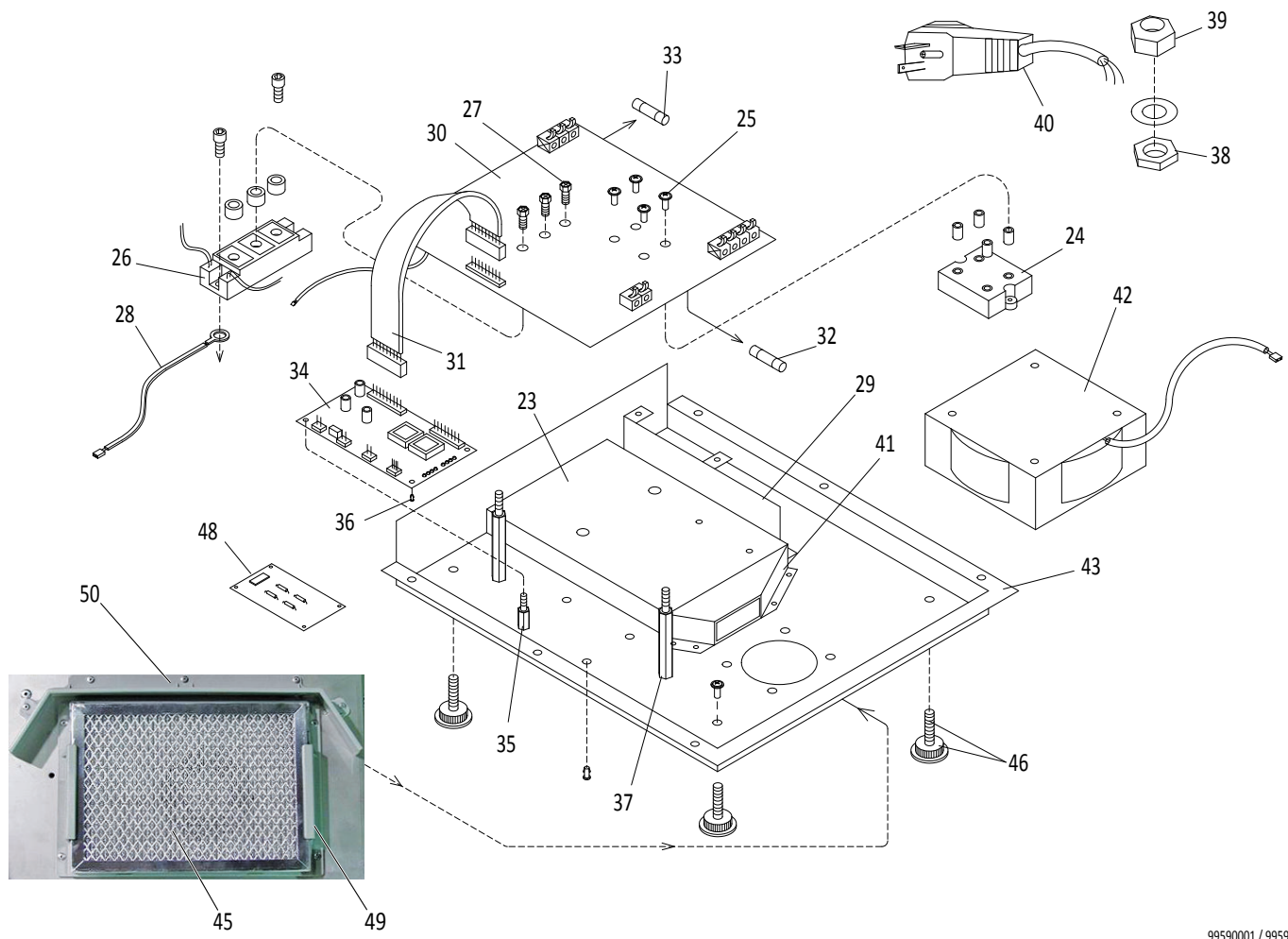
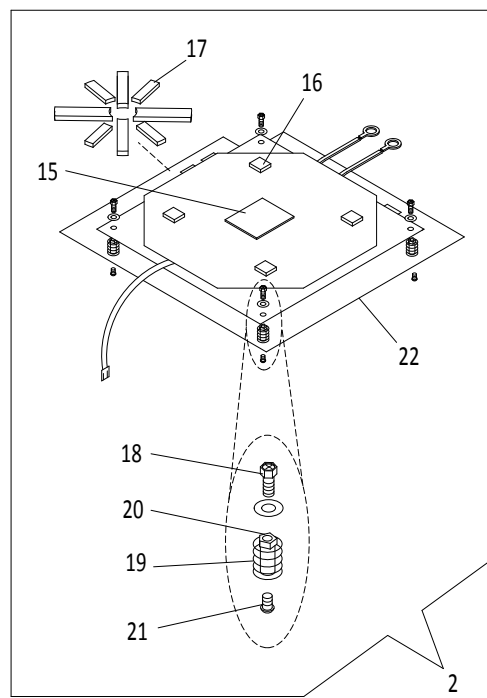
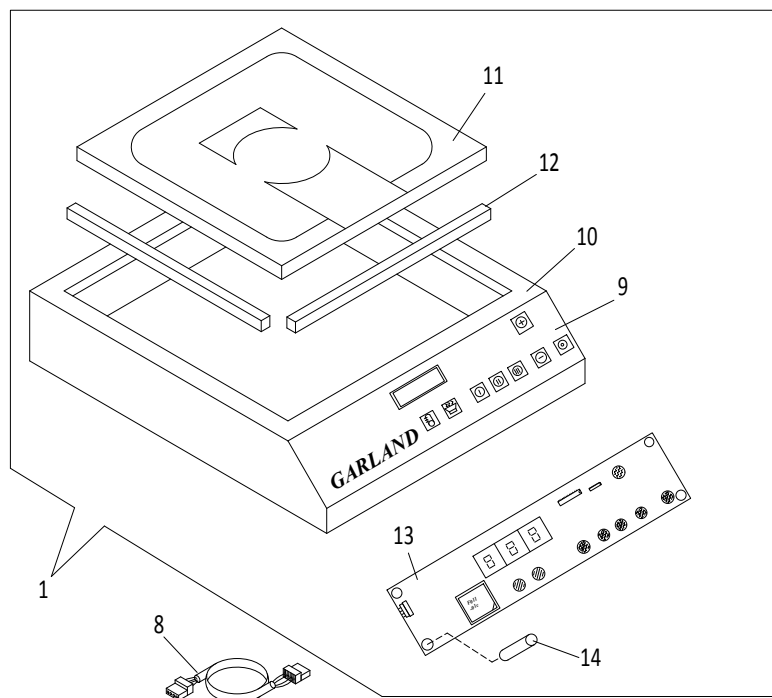
* NOT ILLUSTRATED

RECOMMENDED STOCK PARTS



RTCS Induction Cooker - Multi-Function Line

SH/MU 3500 / Unit# 99590001 / GMIU 3.5kW, 208V, 60Hz



GARLAND PART IDENTIFICATION
RTCS Induction Cooker Multi-Function (Digital Control)Line
3.5kW 208V 60Hz

model SH/MU 3500 (Unit# 99590001)

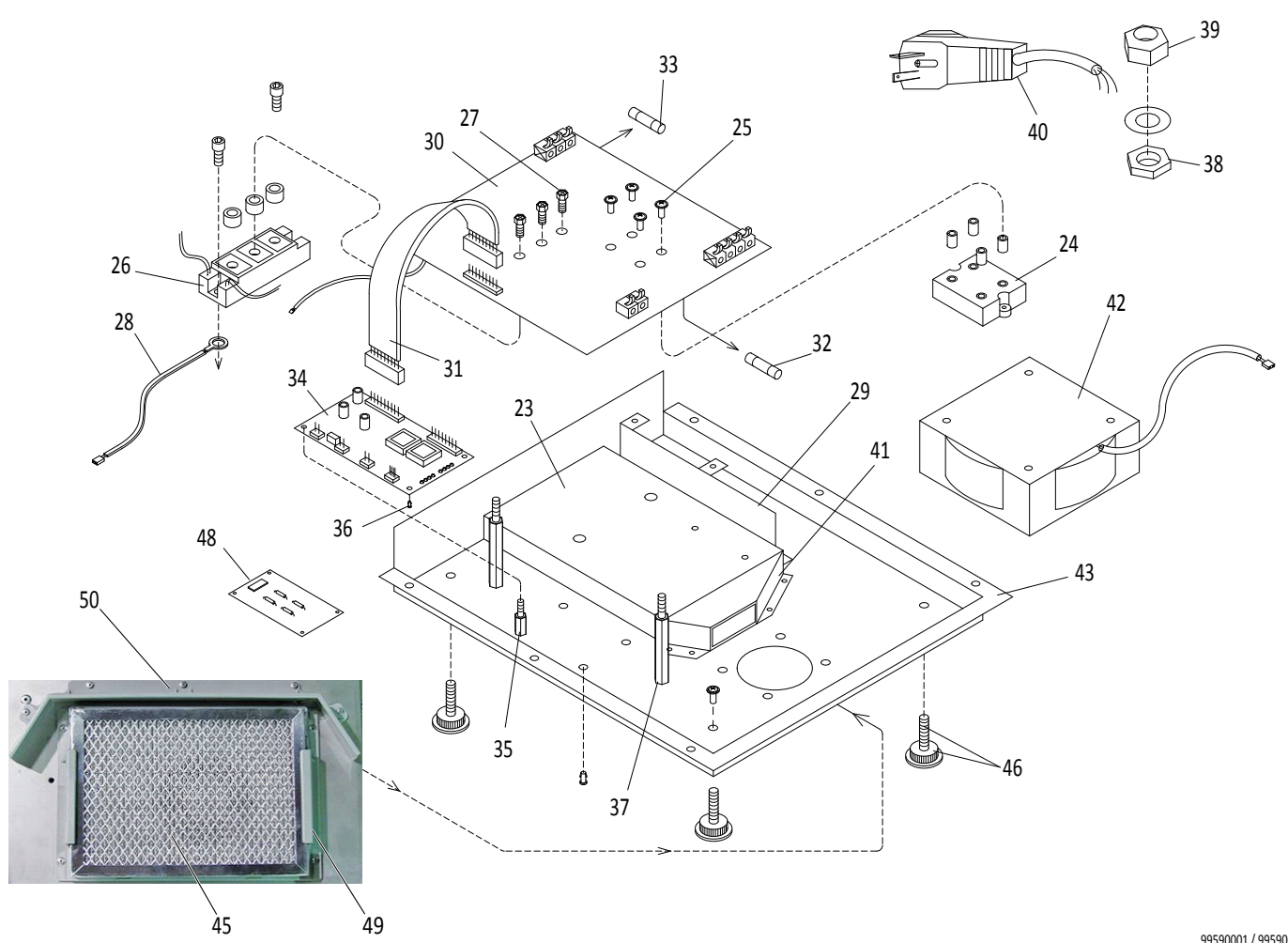
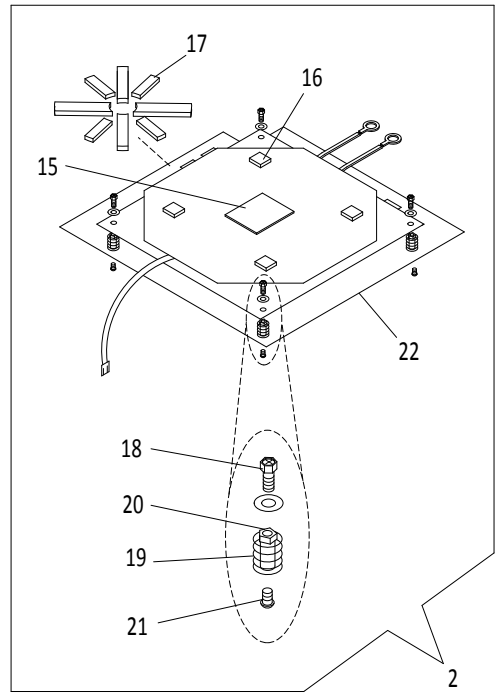
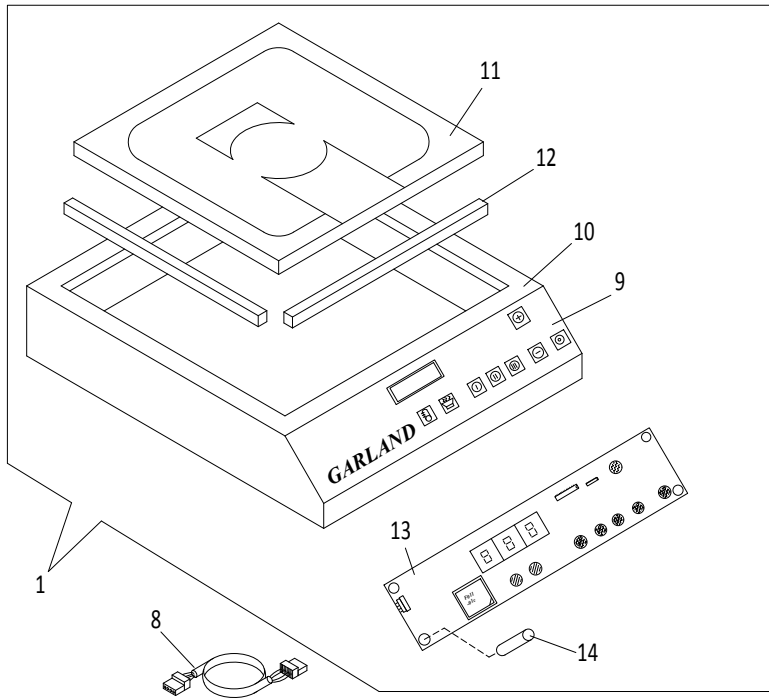
ITEM	PART #	DESCRIPTION	QUANTITY
1	98300008	Case Upper Part Complete (Includes items 9,10,11,12,13 &14)	1
2	93003041	Coil # 3.04 With PTC-sensing Element And Sensor Coil (Includes items 15 - 22)	1
8	94900005	4-Pin Cable for Multi-Line Keyboard	1
9	3012603	Garland Overlay	1
10	72185081	Case Upper Part	1
11	77322001	Ceran Glass 322x322mm	1
12	70000002	Silicone Stripes 306x6x4mm	4
13	98403301	Keyboard	1
14	61404901	Spacer	4
15	94040010	PTC-Sensor with Insulation and Plug 1-Kohms	1
16	69000011	Spacer 4mm	4
17	30000110	Ferrit 110mm	4
18	60595004	Hexagon Screw M5x12	4
19	73000002	Compression Spring 1.1x13.6x45.7	4
20	65840001	Distance Bolt M5x23	4
21	60528501	Cup Bolt M5x8	4
22	72115028	Coil Carrier Sheet Single	1
23	33143021	Heat Sink SH Single	1
24	42403010	Rectifier 1Ph	1
25	95000005	Screws For Rectifier	4
26	47301000	IGBT C5 - Transistor Module	1
27	95000007	Screws for IGBT - Transistor Module	3
28	94040001	NTC 20KOhm Heat Sink Sensor - 160mm	1
29	72116012	Side Sheet	1
30	91031050	Power Print 1N208/3.5 SH/W (Power Board)	1
31	94900001	Cable Single CPU (Logic Board - Power PCB Cable) 10Pin	1
32	34110019	Fuse T1A 250V 5x20	1
33	34120109	Fuse T10A 250V 6.3x32	1
34	98401808	CPU-Print Multi-Line (Logic Board)	1
35	64070001	Spacer M4x8	
36	64070007	Spacer Double Locking	
37	64070005	Spacer M4x70	2
38	39500003	Screw Nut PG 16	1
39	39500009	Screwed Cable Gland PG 16	1
40	38614030	Mains Cable with Plug NEMA 6-20	1
41	72142011	Air Duct Single	1
42	39223001	Radial Fan 230V	1
43	72185039	Bottom Sheet	1
45	71000003	Air Intake Filter	1
46	95000120	Foot Complete Assembly, Adjustable	4
48	90101000	Measuring Amplifier	1
49	72261030	Frame for Air Intake Filter	1
50	72142470	Air Deflector	1

* NOT ILLUSTRATED

RECOMMENDED STOCK PARTS



RTCS Induction Cooker - Multi-Function Line
 SH/MU 3500 / Unit# 99590003 / GMIU 3.5kW, 240V, 60Hz



GARLAND PART IDENTIFICATION
RTCS Induction Cooker Multi-Function (Digital Control) Line
3.5kW 240V 60Hz

model SH/MU 3500 (Unit# 99590003)

ITEM	PART #	DESCRIPTION	QUANTITY
1	98300008	Case Upper Part Complete (Includes items 9,10,11,12,13 & 14)	1
2	93003031	Coil # 3.04 With PTC-Sensing Element And Sensor Coil (Includes items 15 - 22)	1
8	94900005	4-Pin Cable for Multi-Line Keyboard	1
9	3012603	Garland Overlay	1
10	72185081	Case Upper Part	1
11	77322001	Ceran Glass 322x322mm	1
12	70000002	Silicone Stripes 306x6x4mm	4
13	98403301	Keyboard	1
14	61404901	Spacer	4
15	94040010	PTC-Sensor with Insulation and Plug 1-Kohms	1
16	69000011	Spacer 4mm	4
17	30000110	Ferrit 110mm	4
18	60595004	Hexagon Screw M5x12	4
19	73000002	Compression Spring 1.1x13.6x45.7	4
20	65840001	Distance Bolt M5x23	4
21	60528501	Cup Bolt M5x8	4
22	72115028	Coil Carrier Sheet Single	1
23	33143021	Heat Sink SH Single	1
24	42403010	Rectifier 1Ph	1
25	95000005	Screws For Rectifier	4
26	47301000	IGBT C5 - Transistor Module	1
27	95000007	Screws for IGBT - Transistor Module	3
28	94040001	NTC 20KOhm Heat Sink Sensor - 160mm	1
29	72116012	Side Sheet	1
30	91031030	Power Print 1N230/3.5 SH/W (Power Board)	1
31	94900001	Cable Single CPU (Logic Board - Power PCB Cable) 10Pin	1
32	34110019	Fuse T1A 250V 5x20	1
33	34120109	Fuse T10A 250V 6.3x32	1
34	98401808	CPU-Print Multi-Line (Logic Board)	1
35	64070001	Spacer M4x8	
36	64070007	Spacer Double Locking	
37	64070005	Spacer M4x70	2
38	39500003	Screw Nut PG 16	1
39	39500009	Screwed Cable Gland PG 16	1
40	38614030	Mains Cable with Plug NEMA 6-20	1
41	72142011	Air Duct Single	1
42	39223001	Radial Fan 230V	1
43	72185039	Bottom Sheet	1
45	71000003	Air Intake Filter	1
46	95000120	Foot Complete Assembly, Adjustable	4
48	90101000	Measuring Amplifier	1
49	72261030	Frame for Air Intake Filter	1
50	72142470	Air Deflector	1

* NOT ILLUSTRATED

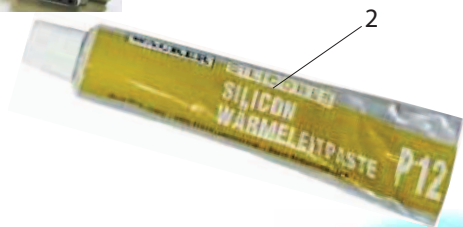
RECOMMENDED STOCK PARTS

GARLAND PARTS IDENTIFICATION RTCS Induction Cookers

REPAIR ACCESSORIES

ITEM	PART #	DESCRIPTION	QUANTITY
1	98990001	IR Adapter	1
2	70000020	Heat Conducting Paste P12	1
3*	70000022	High Temperature Tape	1
4	94900096	Short Circuit (Service) Plug	1
5	39800001	USB- RS232 Adapter	1

* NOT ILLUSTRATED
RECOMMENDED STOCK PARTS



GARLAND PARTS IDENTIFICATION

Revision History

REV	PAGE#	ITEM#	NOTES	DATE	
7			Added "GI-" prefix to model designation.	DEC 8/11	
			Reorganized order of sections. Note different page numbers in previous revisions.		
	4 - 7		Added new pages for the new 3.5kW Counter Line Baby Hob models.		
	9, 11, 13, 15	3	The Base Assembly includes the Heat Sink Pad.		
	8, 10, 12, 14	14	Revised illustration for the Power Switch.		
	8-9, 10-11, 12-13, 14-15	12A,12B 13A,13B			Added photographs of the old and new overlays and knobs to clarify the design intent. Added new overlay part# 66000002 and knob part# 39400004.
		15A, 15B			Added new LED indicator lamp 35624009 for newer units. Included photographs for clarity.
		25A, 25B			Added new Line Filter 39311603 for newer units. Note the serial# info given is different for each model. Included photographs of old and new Line Filters.
	16-17, 18-19	2			Main control assembly also includes items 33, 34.
		21A-21B			Added new LED indicator lamp 35624009 for newer units.
		29A-29B			Added new Line Filter 39311603 for newer units. Note the serial# info given is different for each model. Modified illustrations for item 32. Added photographs for clarity.
	19	9	Was page 17 in Rev 6. Changed item from sheet to sensor.		
	20-21				Revised illustrations for items 15, 32. Added photographs for clarity.
		21A-21B			Added new LED indicator lamp 35624009 for newer units.
		29A-29B			Added new Line Filter 39311603 for newer units. Note the serial# info given is different for each model.
	37		Removed item 37.		
22-23			New pages for new model item# 99580016 240V, which is similar to the 208V 99580016 unit.		
24-27			Were pages 18-21. Headers changed but contents unchanged.		
8	4-15 24-27	32-33 49-50	All counter line units - added parts Air Deflector (72261030) and Filter Frame (72142470)	FEB 10/12	
	17, 19	3	Revised description: Should be "Coil #3.08"		
9	22, 23		New Model - 99580034 208V.	APR 2/12	
	16 - 25	44	Added Control Asm Overlays (66000068, 66000067) for Install Line models.		
	25		Removed control asm with protection guards and related parts (p/n 94030050, 71000030, 60333302) from unit#99580018.		
	4 - 25	6	Added Heat Sink Pad/Paper (72291120) to all sections except Multi-Line Digital Control units.		
	27, 29	44	Removed metal grease filter frame part 72261022. Replaced by plastic parts.		
	20 - 23	45	Added pasta station filter BPP00033		
	26, 28	8	Revised Illustration. Item 1 doesn't include item 8.		
10	4-15	27	Foot complete assembly 95000120 replaced 71000006, 61421201.	JUL 26/12	
	26-29	46			
	4 - 7	7	Baby Hob - Added CU sensors p/n - 94040050 and service info.		
	9, 11	8	Added service info for CU sensors.		
	17, 19	9			
30	1, 4	New photos.			

** Page#/Item# reference the specific page/item numbers in the corresponding Revision version only.

 **Garland**[®]

 **Manitowoc**