



Induction Cookers
RTCS Technology
(Real-time Temperature Control System)
2.5 kW models

PARTS LIST

IMPORTANT

Induction Cookers manufactured with **RTCS** Technology will have **FIVE DIGITS** in the **center** of the **serial number**. *Example: BA06.00001.0505*

Phone (US & Canada): 1 800 427 6668

Fax (US & Canada): 1 800 361 7745

www.Garland-Group.com

Quality Factory Replacement Parts for the World's Finest Foodservice Equipment Solutions

This parts list is updated regularly. Please find the most current revision
on our website @ www.Garland-Group.com



**Induction Cookers
RTCS Technology
(Real-time Temperature Control System)
2.5 kW models**

Table of Contents

Base Line (Countertop) Baby Hob — GI-BH/BA 2500 / Unit# 99560103 / 2.5kW, 208V, 50/60Hz4

Base Line (Countertop) Baby Hob — GI-BH/BA 2500 / Unit# 99560105 / 2.5kW, 240V, 50/60Hz6

Install Line Baby Hob — GI-BH/IN 2500 / Unit# 99580001 / 2.5kW, 208V, 50/60Hz.....8

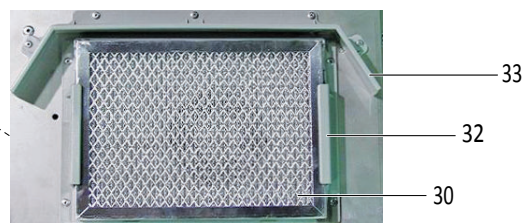
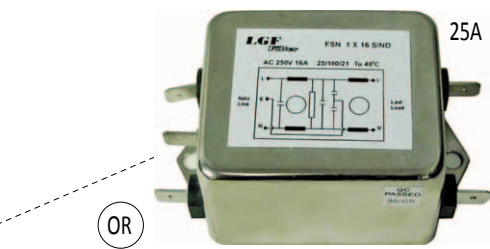
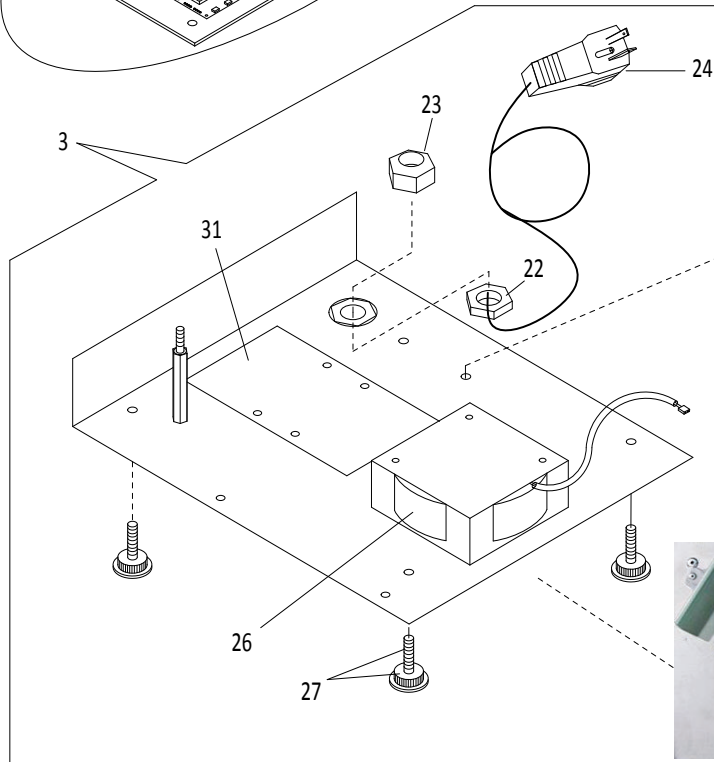
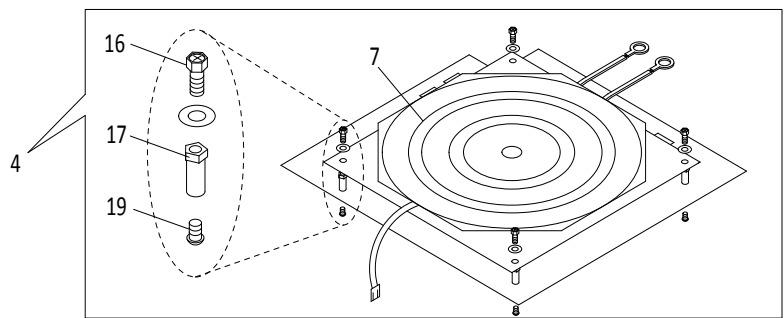
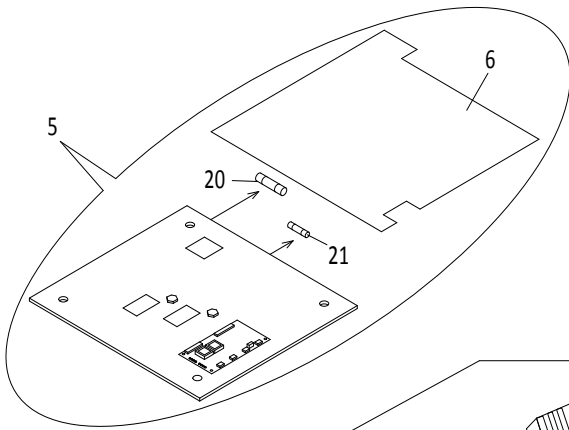
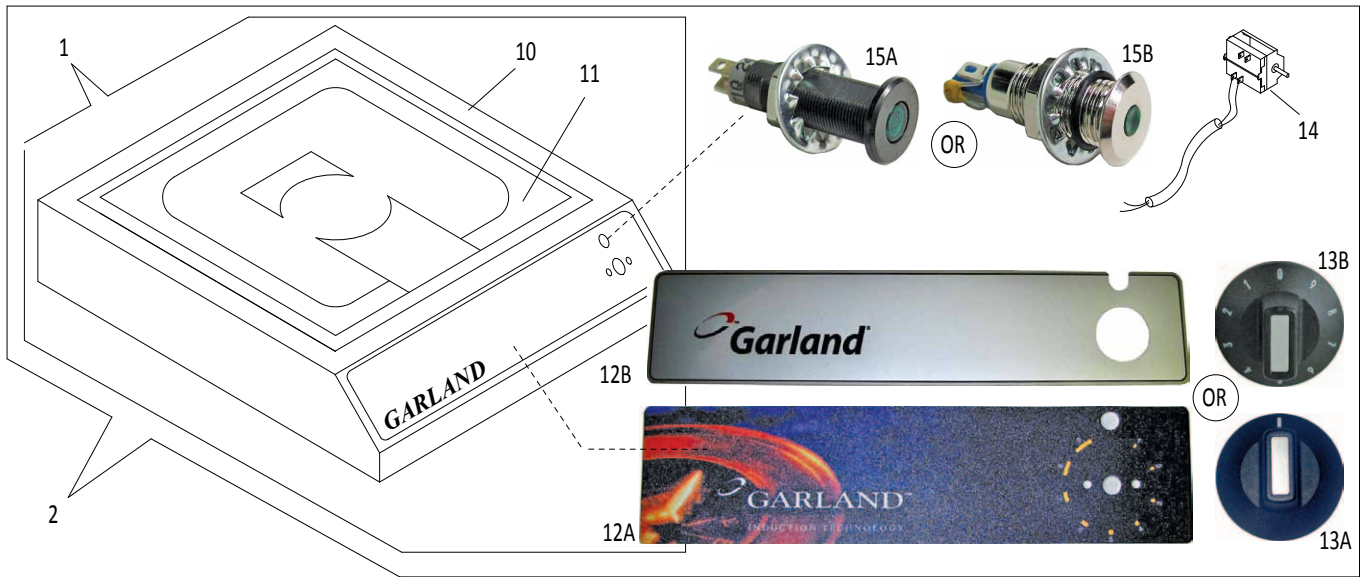
Install Line Baby Hob — GI-BH/IN 2500 / Unit# 99580003 / 2.5kW, 240V, 50/60Hz.....10

Repair Accessories12

Revision History.....13



RTCS Induction Base Line Baby Hob Cooker
 GI-BH/BA 2500 / Unit# 99560103 / 2.5kW, 208V, 50/60Hz



GARLAND PARTS IDENTIFICATION
RTCS Induction Base Line (Countertop) Baby Hob Cooker
2.5kW 208V 50/60Hz

model GI-BH/BA 2500 (Unit# 99560103)

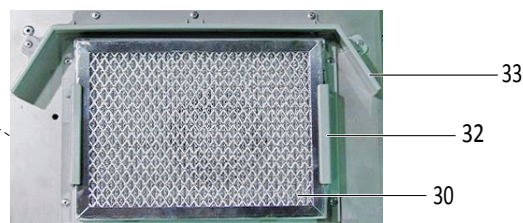
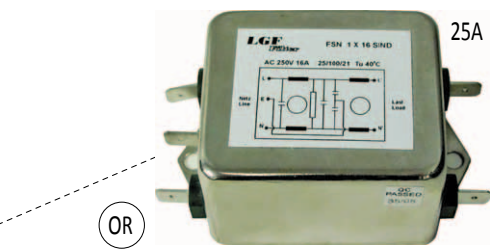
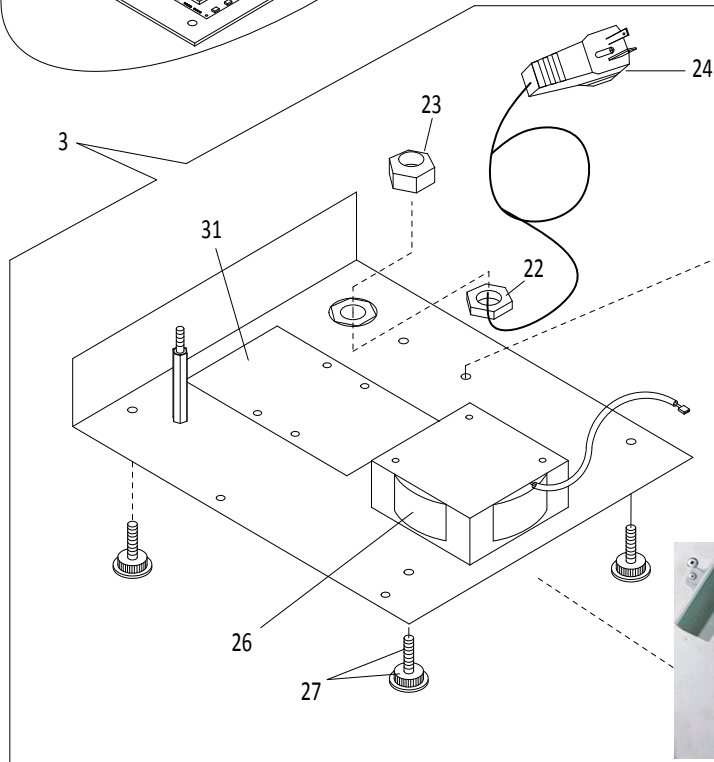
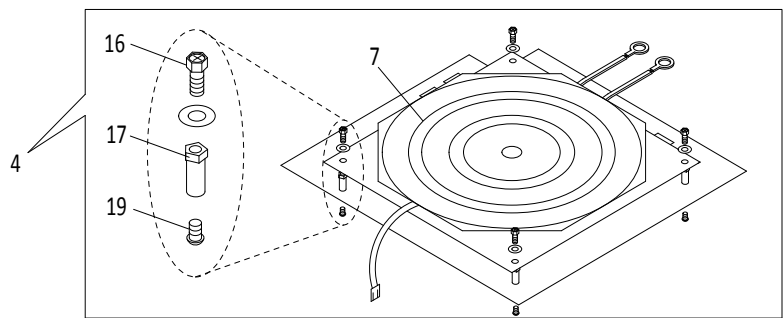
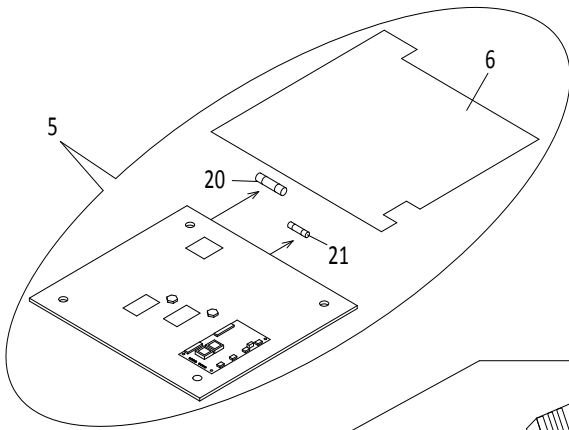
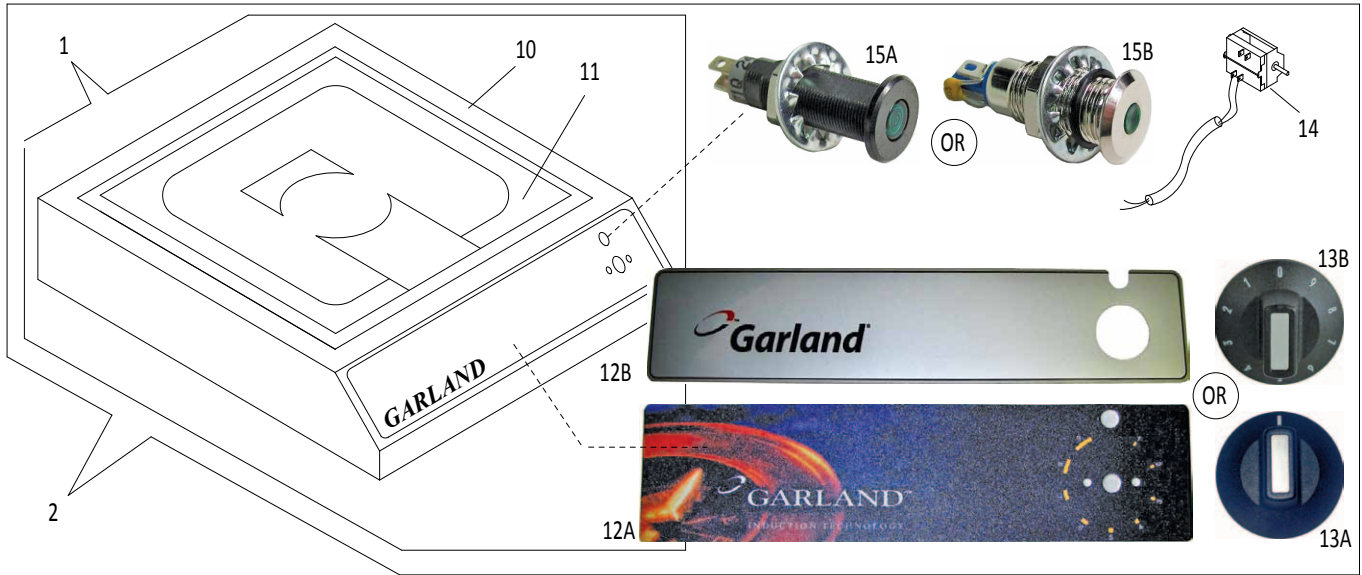
ITEM	PART#	DESCRIPTION	QUANTITY
1	98300100	Upper Case BH/BA Assembly (Includes items 10, 11 & 12)	1
2	98300031	Case Complete Top BH/BA Assembly (Includes items 1, 13, 14 & 15)	1
3	98200011	Base Assembly (Includes items 22, 23, 24, 25, 26, 27, 28, 30, 31, 32, 33)	1
4	93061020	Induction Coil #61.02 With RTCS Sensor	1
5	98021721	Power Board 2.5 kW & 3.5 kW (I217 Version). Board Includes items 6, 20 & 21.	1
<p align="center">IMPORTANT After replacing one or both of items 4 and 5, you MUST RESET ALL PARAMETERS using the IR adapter tool (part# 98990001). Please refer to the service manual for instructions.</p>			
6	72291120	Heat Sink Pad 215 x 98 x 5 mm	1
7	94040050	CU1/CU2 Sensors Note: If replacing only the CU sensor, ensure to initialize with a short circuit plug (P/N 94900096, see "Repair Accessories"). For instructions, refer to Service Manual, section "8.1 How to initialize the CU sensors by the short circuit plug".	1
10	72184020	Upper Case "BH/BA"	1
11	77262001	Ceran Glass 262 x 262 mm	1
12A	3012600	Control Label/Overlay (0-9) Note: Designed to use with Knob (13A) part# 39400004.	1
12B	66000000	Control Label/Overlay Note: Designed to use with Knob (13B) part# 39400003.	1
13A	39400004	Plastic Knob, Plain Note: Designed to use with Label/Overlay (12A) part# 3012600.	1
13B	39400003	Plastic Knob with Dial 0-9 Note: Designed to use with Label/Overlay (12B) part# 66000000.	1
14	94900070	Step Switch with Cable	1
15A	35624001	Front Indicator Lamp 24V LED Green - Black Housing Note: NOT interchangeable with item 15B .	1
15B	35624009	Front Indicator Lamp 24V LED Green - Chrome Housing Note: NOT interchangeable with item 15A .	1
16	60595004	Screw M5 x 12	4
17	65840001	Coil Pin	4
19	60528501	Plastic Screw for Coil, M5 x 8	4
20	34120159	Fuse SUT 15Amps 250V-6.3x32	2
21	34110019	Fuse T1.0A	1
22	39500001	Screw Nut PG 13.5	1
23	39500007	Screwed Cable Gland PG 13.5	1
24	38616030	Power Cord USA Type 6/15A	1
25A	39311602	Mains Line Filter 16A Note: Used UP TO serial# BA103.00465.0811	1
25B	39311603	Mains Line Filter 16A Note: Used FROM serial# BA103.00466.1111	1
<p align="center">IMPORTANT Line Filters 25A and 25B are NOT interchangeable. When ordering for a replacement part, ensure you check both the serial# and the type of filter used in your unit.</p>			
26	94090011	Radial Fan 24V DC	1
27	95000120	Foot Complete Assembly, Adjustable	4
30	71000003	Air Intake Filter	1
31	72291120	Heat Sink Pad	1
32	72261030	Frame for Air Intake Filter	1
33	72142470	Air Deflector	1

* NOT ILLUSTRATED

RECOMMENDED STOCK PARTS



RTCS Induction Base Line Baby Hob Cooker
 GI-BH/BA 2500 / Unit# 99560105 / 2.5kW, 240V, 50/60Hz



GARLAND PARTS IDENTIFICATION
RTCS Induction Base Line (Countertop) Baby Hob Cooker
2.5kW 240V 50/60Hz

model GI-BH/BA 2500 (Unit# 99560105)

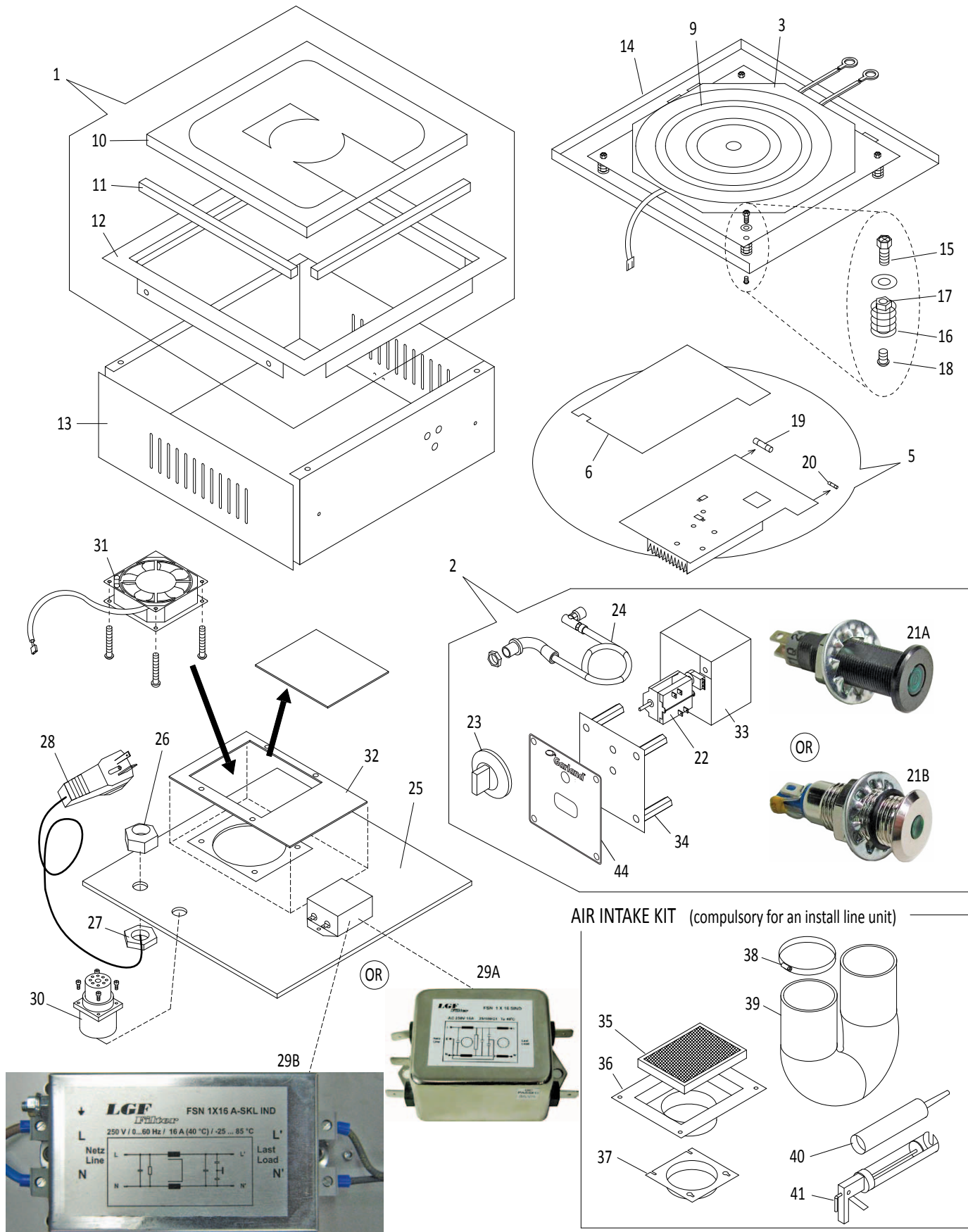
ITEM	PART#	DESCRIPTION	QUANTITY
1	98300100	Upper Case BH/BA Assembly (Includes items 10, 11 & 12)	1
2	98300031	Case Complete Top BH/BA Assembly (Includes items 1, 13, 14 & 15)	1
3	98200011	Base Assembly (Includes items 22, 23, 24, 25, 26, 27, 28, 30, 31, 32, 33)	1
4	93061020	Induction Coil #61.02 With RTCS Sensor	1
5	98021721	Power Board 2.5 kW & 3.5 kW (I217 Version). Board Includes items 6, 20 & 21.	1
IMPORTANT After replacing one or both of items 4 and 5, you MUST RESET ALL PARAMETERS using the IR adapter tool (part# 98990001). Please refer to the service manual for instructions.			
6	72291120	Heat Sink Pad 215 x 98 x 5 mm	1
7	94040050	CU1/CU2 Sensors Note: If replacing only the CU sensor, ensure to initialize with a short circuit plug (P/N 94900096, see "Repair Accessories"). For instructions, refer to Service Manual, section "8.1 How to initialize the CU sensors by the short circuit plug".	1
10	72184020	Upper Case "BH/BA"	1
11	77262001	Ceran Glass 262 x 262 mm	1
12A	3012600	Control Label/Overlay (0-9) Note: Designed to use with Knob (13A) part# 39400004.	
12B	66000000	Control Label/Overlay Note: Designed to use with Knob (13B) part# 39400003.	1
13A	39400004	Plastic Knob, Plain Note: Designed to use with Label/Overlay (12A) part# 3012600.	
13B	39400003	Plastic Knob with Dial 0-9 Note: Designed to use with Label/Overlay (12B) part# 66000000.	
14	94900070	Step Switch with Cable	
15A	35624001	Front Indicator Lamp 24V LED Green - Black Housing Note: NOT interchangeable with item 15B .	1
15B	35624009	Front Indicator Lamp 24V LED Green - Chrome Housing Note: NOT interchangeable with item 15A .	1
16	60595004	Screw M5 x 12	4
17	65840001	Coil Pin	4
19	60528501	Plastic Screw for Coil, M5 x 8	4
20	34120159	Fuse SUT 15Amps 250V-6.3x32	2
21	34110019	Fuse T1.0A	1
22	39500001	Screw Nut PG 13.5	1
23	39500007	Screwed Cable Gland PG 13.5	1
24	38616030	Power Cord USA Type 6/15A	1
25A	39311602	Mains Line Filter 16A Note: Used UP TO serial# BA105.00067.0511	1
25B	39311603	Mains Line Filter 16A Note: Used FROM serial# BA105.00068.0511	1
IMPORTANT Line Filters 25A and 25B are NOT interchangeable. When ordering for a replacement part, ensure you check both the serial# and the type of filter used in your unit.			
26	94090011	Radial Fan 24V DC	1
27	95000120	Foot Complete Assembly, Adjustable	4
30	71000003	Air Intake Filter	1
31	72291120	Heat Sink Pad	1
32	72261030	Frame for Air Intake Filter	1
33	72142470	Air Deflector	1

* NOT ILLUSTRATED

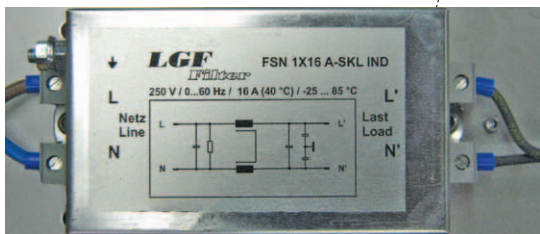
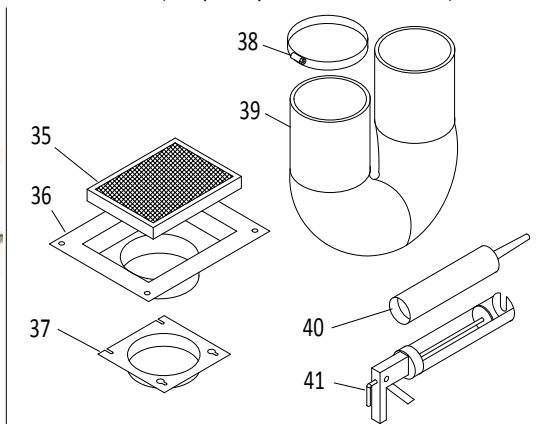
RECOMMENDED STOCK PARTS



RTCS Induction Install Line Baby Hob Cooker
 GI-BH/IN 2500 / Unit# 99580001 / 2.5kW, 208V, 50/60Hz



AIR INTAKE KIT (compulsory for an install line unit)



GARLAND PARTS IDENTIFICATION
RTCS Induction Install Line Baby Hob Cooker, 2.5kW 208V 50/60Hz
model GI-BH/IN 2500 (Unit# 99580001)

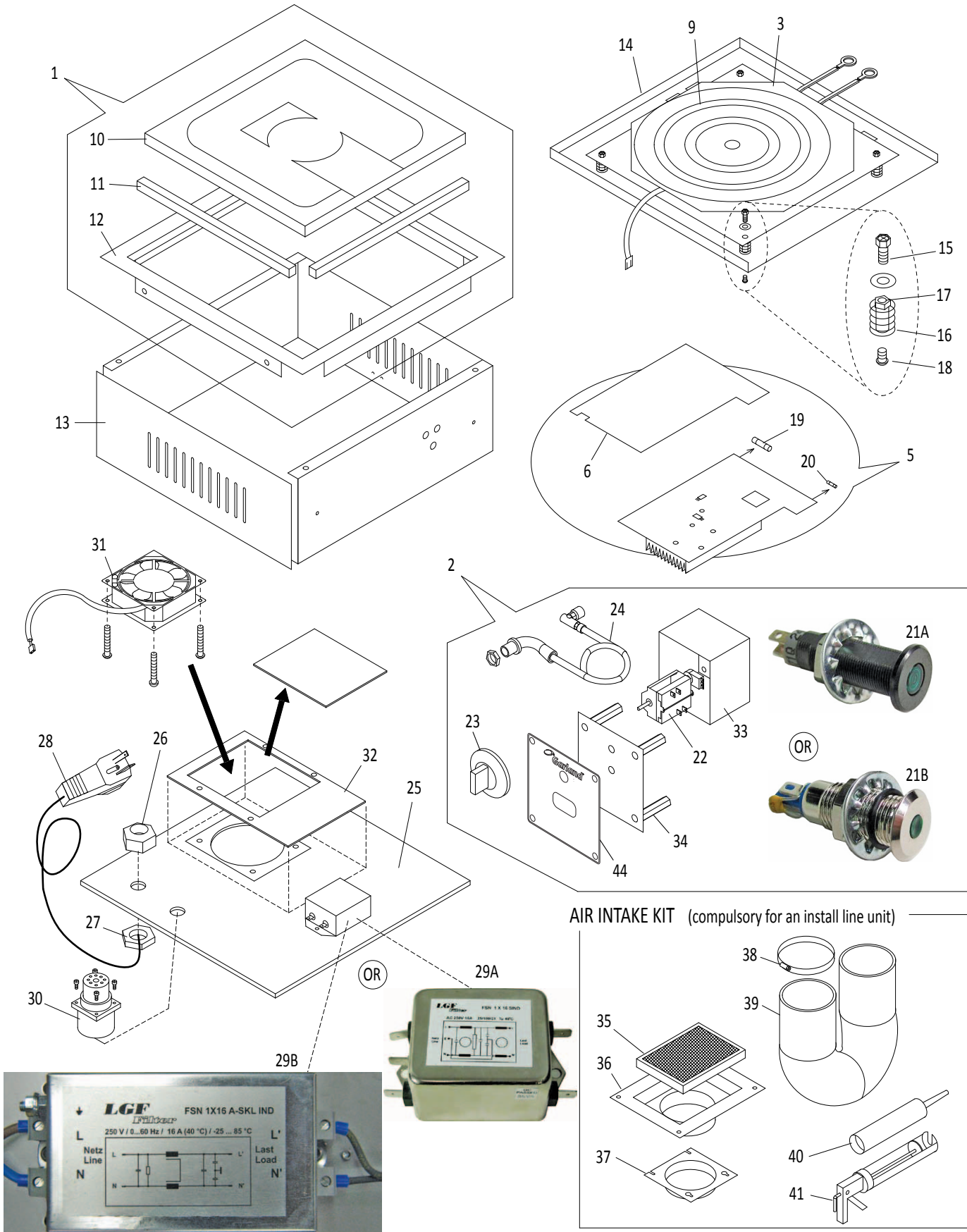
ITEM	PART #	DESCRIPTION	QUANTITY
1	98300020	Ceran Glass BH/IN Top Assembly (Includes items 10, 11 & 12)	1
2	94030001	Main Control Assembly (Includes items 21, 22, 23, 24, 33 & 34)	1
3	93003032	Induction Coil #3.03 With RTCS Sensor	1
5	98021721	Power Board 2.5kW & 3.5kW (I217 Version). Board Includes items 6, 19 & 20.	1
IMPORTANT After replacing one or both of these items, you MUST RESET ALL PARAMETERS using the IR adapter tool (part# 98990001). Please refer to the service manual for instructions.			
6	72291120	Heat Sink Pad 215 x 98 x 5 mm	1
9	94040050	CU1/CU2 Sensors Note: If replacing only the CU sensor, ensure to initialize with a short circuit plug (P/N 94900096, see "Repair Accessories"). For instructions, refer to Service Manual, section "8.1 How to initialize the CU sensors by the short circuit plug".	1
10	77262001	Ceran Glass 262 x 262 x 4 mm	1
11	70000002	Silicone Strips 306 x 6 x 4 mm	4
12	72211051	Mounting Frame (Ceran Glass not included)	1
13	72144590	Front Sheet BH/IN	1
14	72144600	Coil Carrier BH/IN	1
15	60595004	Screws M5 x 12	4
16	73000002	Coil Spring	4
17	65840001	Coil Pin	4
18	60528501	Plastic Screws For Coil M5X8	4
19	34120159	Fuse SUT 15amp 250v 6.3x32	2
20	34110019	Fuse T1.0A	1
21A	35624001	Front Indicator Lamp 24V LED Green - Black Housing Note: NOT interchangeable with item 21B .	1
21B	35624009	Front Indicator Lamp 24V LED Green - Chrome Housing Note: NOT interchangeable with item 21A .	1
22	35100002	Step Switch 1CH/17	1
23	39400003	Plastic Knob with Dial 0-9	1
24	32950902	Harness Main Control	1
25	72144580	Bottom Sheet BH/IN	1
26	39500009	Screwed Cable Gland PG 16	1
27	39500003	Screw Nut PG 16	1
28	38614034	Power Cord USA Type 6/15A	1
29A	39311602	Mains Line Filter 16A Note: Used UP TO serial# IN01.00049.0110	1
29B	39311603	Mains Line Filter 16A Note: Used FROM serial# IN01.00050.0110	1
IMPORTANT Line Filters 29A and 29B are NOT interchangeable. When ordering for a replacement part, ensure you check both the serial# and the type of filter used in your unit.			
30	32960901	Female Plug	1
31	94090001	Axial Fan Confect. BH/IN	1
32	72291120	Heat Sink Pad IMPORTANT: During installation, you must remove and discard the center piece of the Heat Sink Pad for fan ventilation.	1
33	72282180	Connector Box Switch - S/S	1
	72261070	Connector Box Switch - Plastic	1
34	72244100	Front Panel (Without Guard)	1
35	71000003	Air Intake Filter	1
36	72183091	Grease Filter Holder	1
37	72263020	Air Conductor Holder	1
38	76000002	Clamp	2
39	76000001	Air Conductor Aluminum	1
40	70000015	Silicone Glue PACTAN 7076	1
41	76000003	Chalking Gun - Silicone Glue	1
44	66000067	Label/Overlay - Install-Line (NO Protective Guards)	1

* NOT ILLUSTRATED

RECOMMENDED STOCK PARTS



RTCS Induction Install Line Baby Hob Cooker
 GI-BH/IN 2500 / Unit# 99580003 / 2.5kW, 240V, 50/60Hz



GARLAND PARTS IDENTIFICATION
RTCS Induction Install Line Baby Hob Cooker, 2.5kW 240V 50/60Hz
model GI-BH/IN 2500 (Unit# 99580003)

ITEM	PART #	DESCRIPTION	QUANTITY
1	98300020	Ceran Glass BH/IN Top Assembly (Includes items 10, 11 & 12)	1
2	94030001	Main Control Assembly (Includes items 21, 22, 23, 24, 33 & 34)	1
3	93003032	Induction Coil #3.03 With RTCS Sensor	1
5	98021721	Power Board 2.5kW & 3.5kW (I217 Version). Board Includes items 6, 19 & 20.	1
IMPORTANT After replacing one or both of these items, you MUST RESET ALL PARAMETERS using the IR adapter tool (part# 98990001). Please refer to the service manual for instructions.			
6	72291120	Heat Sink Pad 215 x 98 x 5 mm	1
9	94040050	CU1/CU2 Sensors Note: If replacing only the CU sensor, ensure to initialize with a short circuit plug (P/N 94900096, see "Repair Accessories"). For instructions, refer to Service Manual, section "8.1 How to initialize the CU sensors by the short circuit plug".	1
10	77262001	Ceran Glass 262 x 262 x 4 mm	1
11	70000002	Silicone Strips 306 x 6 x 4 mm	4
12	72211051	Mounting Frame (Ceran Glass not included)	1
13	72144590	Front Sheet BH/IN	1
14	72144600	Coil Carrier BH/IN	1
15	60595004	Screws M5 x 12	4
16	73000002	Coil Spring	4
17	65840001	Coil Pin	4
18	60528501	Plastic Screws For Coil M5X8	4
19	34120159	Fuse SUT 15amp 250v 6.3x32	2
20	34110019	Fuse T1.0A	1
21A	35624001	Front Indicator Lamp 24V LED Green - Black Housing Note: NOT interchangeable with item 21B .	1
21B	35624009	Front Indicator Lamp 24V LED Green - Chrome Housing Note: NOT interchangeable with item 21A .	1
22	35100002	Step Switch 1CH/17	1
23	39400003	Plastic Knob with Dial 0-9	1
24	32950902	Harness Main Control	1
25	72144580	Bottom Sheet BH/IN	1
26	39500009	Screwed Cable Gland PG 16	1
27	39500003	Screw Nut PG 16	1
28	38614034	Power Cord USA Type 6/15A	1
29A	39311602	Mains Line Filter 16A Note: Used UP TO serial# IN03.00004.0611	1
29B	39311603	Mains Line Filter 16A Note: Used FROM serial# IN01.00005.0611	1
IMPORTANT Line Filters 29A and 29B are NOT interchangeable. When ordering for a replacement part, ensure you check both the serial# and the type of filter used in your unit.			
30	32960901	Female Plug	1
31	94090001	Axial Fan Confect. BH/IN	1
32	72291120	Heat Sink Pad IMPORTANT: During installation, you must remove and discard the center piece of the Heat Sink Pad for fan ventilation.	1
33	72282180	Connector Box Switch - S/S	1
	72261070	Connector Box Switch - Plastic	1
34	72244100	Front Panel (Without Guard)	1
35	71000003	Air Intake Filter	1
36	72183091	Grease Filter Holder	1
37	72263020	Air Conductor Holder	1
38	76000002	Clamp	2
39	76000001	Air Conductor Aluminum	1
40	70000015	Silicone Glue PACTAN 7076	1
41	76000003	Chalking Gun - Silicone Glue	1
44	66000067	Label/Overlay - Install-Line (NO Protective Guards)	1

* NOT ILLUSTRATED

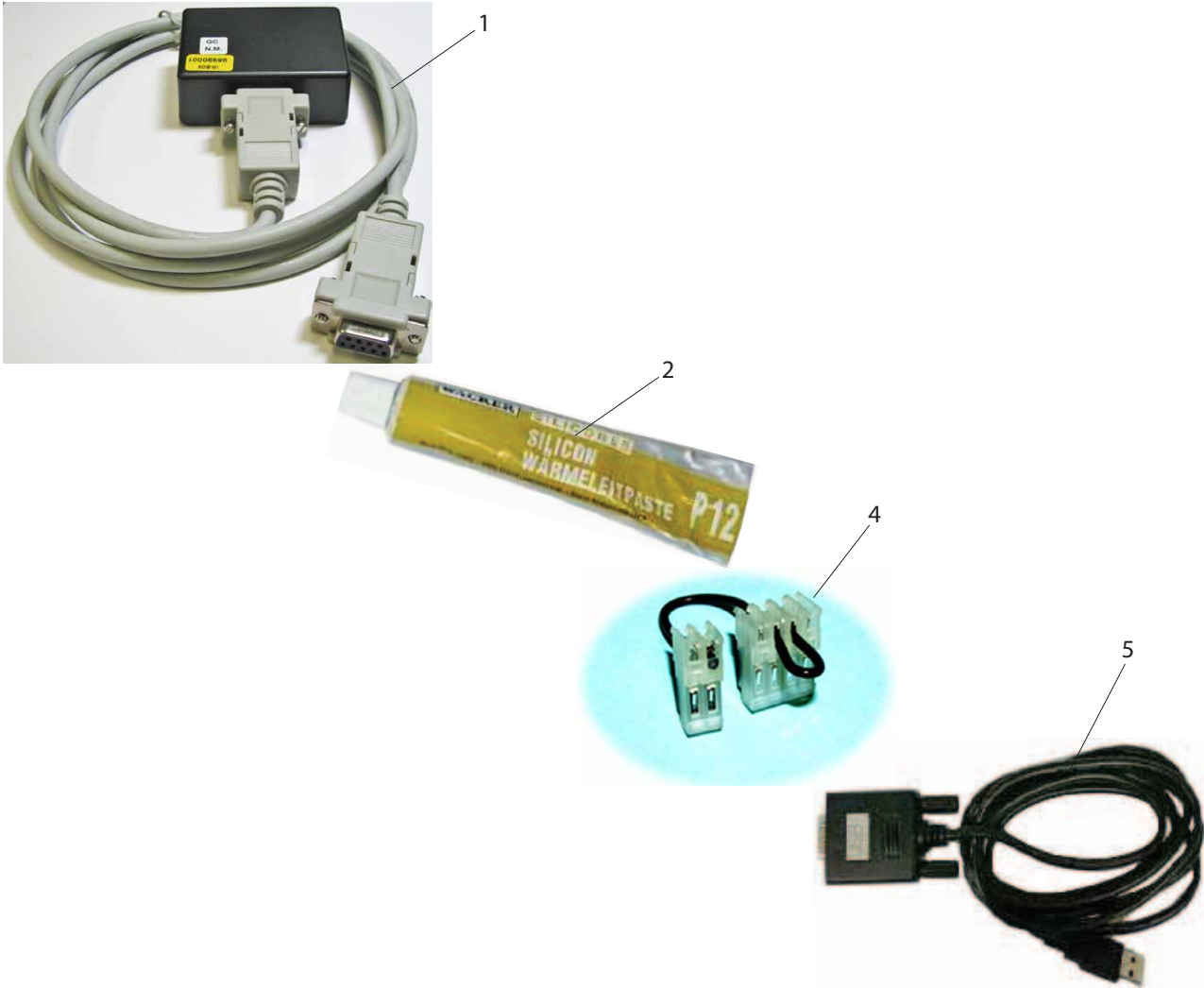
RECOMMENDED STOCK PARTS

GARLAND PARTS IDENTIFICATION RTCS Induction Cookers

REPAIR ACCESSORIES

ITEM	PART #	DESCRIPTION	QUANTITY
1	98990001	IR Adapter	1
2	70000020	Heat Conducting Paste P12	1
3*	70000022	High Temperature Tape	1
4	94900096	Short Circuit (Service) Plug	1
5	39800001	USB- RS232 Adapter	1

* NOT ILLUSTRATED
RECOMMENDED STOCK PARTS



GARLAND PARTS IDENTIFICATION

Revision History

REV	PAGE#	ITEM#	NOTES	DATE
0			Book Released	MAY 15/06
1	7,11	1,12,29 38,39,41	Description Changed	JUN 02/06
	4,5	3	Was Item 5	
	8,9	4,5	Was Item 3 & 4 – Also Note Added Under Description	
	6.7 10,11	3,4	Was Item 4, 3 – Drawing Modified – Also Note Added Under Description	
2	5,9	21	New Part # – Was 34128004 (Fuse T0.8A)	JAN 11/07
	7,11	20		
3	4,8		New Drawing	MAR 07/07
	5,9	18	Part Number 73000002 (Coil Spring) Removed	
	5	4	New Part # Added Was 9306211 Description Changed Was #62.02	
4	5, 9	5	New Part # & Description Was 98011703 (Power board - Item Includes: 20 & 21)	MAR 31/08
	7, 11	4	New Part # & Description Was 98011703 (Power board - Item Includes: 19 & 20)	
5	4,5,8,9	31	New part number added	SEPT 24/10
	6,7,10,11	32		
	5,7,9,11	5,4,5,4	Part number changed - was 98021703	
	5,7,9,11	20,19,20,19	Part number changed - was 34120109 (Fuse T10A)	
6			Added "GL-" prefix to model designation.	DEC 8/11
			Reorganized order of sections. Note different page numbers in previous revisions.	
	7	3	Revised part number. Should be 98200011.	
	5, 7	3	The Base Assembly includes the Heat Sink Pad.	
	4 - 7	12A,12B 13A,13B	Added photographs of the old and new overlays and knobs to clarify the design intent. Added new overlay part# 66000000 and knob part# 39400004.	
	4 - 7	15A, 15B	Added new LED indicator lamp 35624009 for newer units.	
	8 - 11	21A, 21B	Included photographs for clarity.	
	4 - 7	25A, 25B	Added new Mains Line Filter 39311603 for newer units. Note the serial# info given is different for each model.	
	8 - 11	29A, 29B	Included photographs of old and new Line Filters.	
	8 - 11	2, 3 25 33, 34	Switched item number 2 & 3. Revised description. Was "Case Upper Part BH/IN". Added item 33 - Connector Box 72282180/72261070 and item 34 Front Panel 72244100.	
7	4-7	32, 33	Added Parts - External Air Deflector and Filter Frame	FEB 10/12
8	4 - 11	6	Added Heat Sink Pad/Paper (72291120) to all sections.	APR 3/12
	8 - 11	44	Added Control Asm Overlays (66000067) for Install Line models.	
9	4 - 7	27	Foot complete asm 95000120 replaced 71000006, 61421201.	JUL 26/12
	4 - 7	7	Baby Hob - Added CU sensors p/n - 94040050 and service info.	
	9, 11	9	Added service info for CU sensors.	
	12	1, 4	New photos.	

** Page#/Item# reference the specific page/item numbers in the corresponding Revision version only.

 **Garland**[®]

 **Manitowoc**