



# ***INDUCTION COOKER***

## ***RTCS TECHNOLOGY***

(REAL TIME TEMPERATURE CONTROL SYSTEM)

***1.5 & 1.8Kw COUNTER TOP MODELS***

# **PARTS LIST**

### IMPORTANT NOTE

INDUCTION COOKERS MANUFACTURED WITH RTCS TECHNOLOGY WILL HAVE FIVE DIGITS IN THE CENTER OF THE SERIAL NUMBER. EXAMPLE: BA06.00001.0505

Toll Free Phone, (US & Canada): (800) 427-6668

Toll Free Fax, (US & Canada): (800) 361-7745

<http://www.garland-group.com>





# ***INDUCTION COOKER***

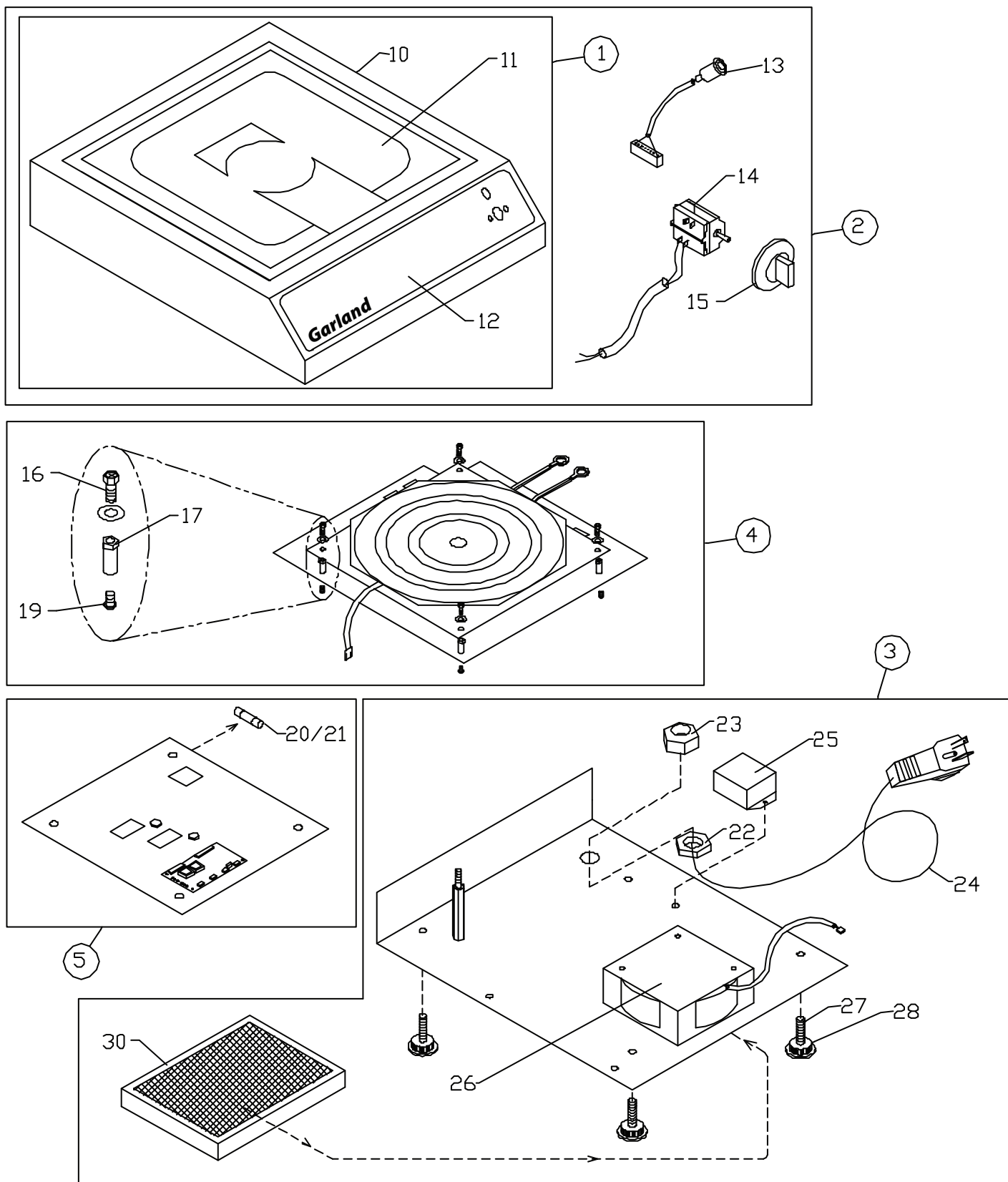
## ***RTCS TECHNOLOGY***

(REAL TIME TEMPERATURE CONTROL SYSTEM)

### ***1.5 & 1.8Kw COUNTER TOP MODELS***

#### ***Contents:***

GIU 1.5kW 120V 50/60Hz (BH/BA 1500) - Counter Top Line - Item# 99560101 .....	Page 4
GIU 1.8kW 120V 50/60Hz (BH/BA 1800) - Counter Top Line - Item# 99560102 .....	Page 6
Repair Accessories .....	Page 8
Revision History .....	Page 9



1.5Kw RTCS

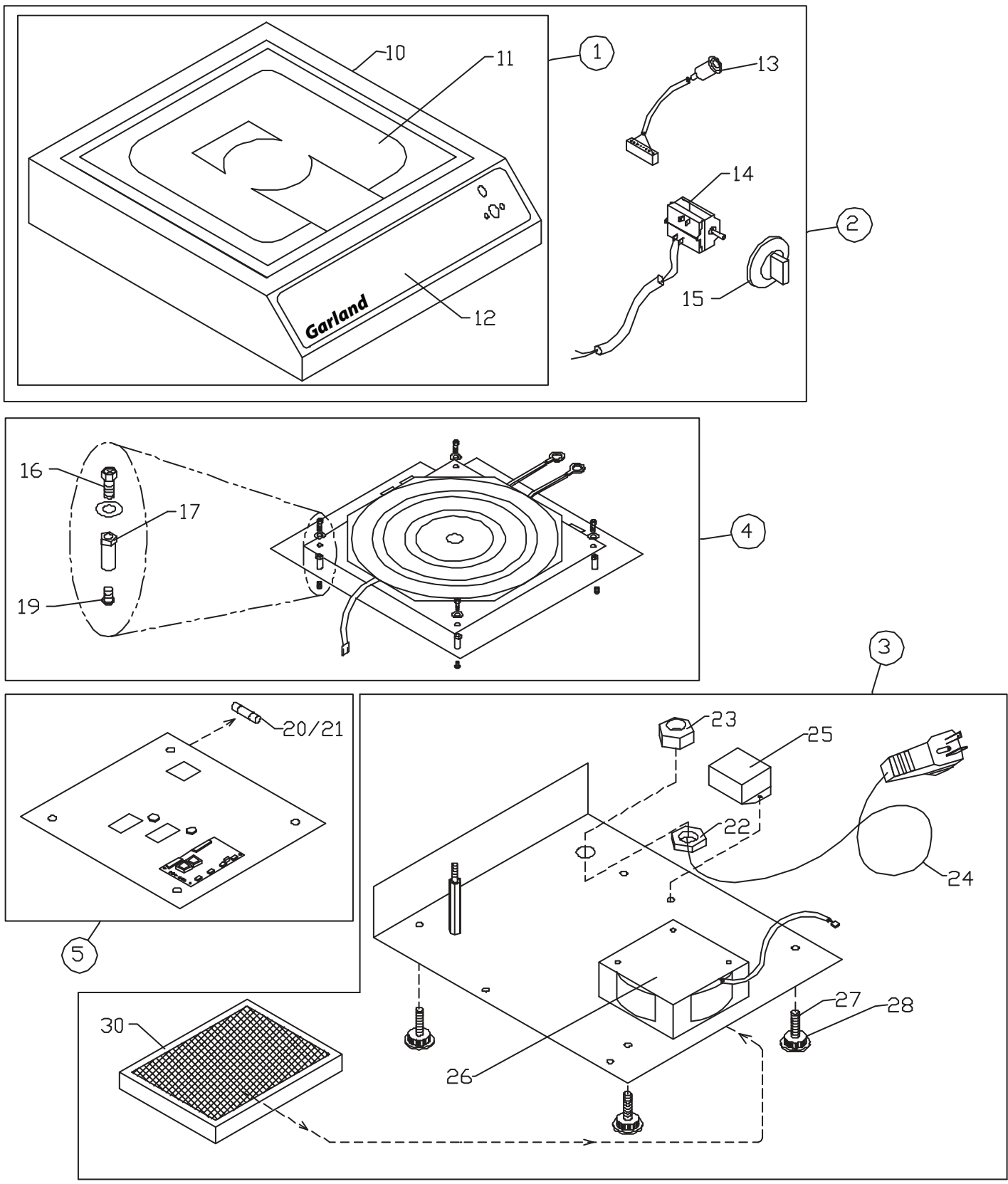
## GARLAND PARTS IDENTIFICATION

### GIU 1.5kW 120V 50/60Hz (BH/BA 1500) - Counter Top Line - Item# 99560101

ITEM	PART #	DESCRIPTION	QUANTITY
1	98300100	Upper Case Assembly "BH/BA" - Item Includes: 10, 11 & 12	1
2	98300031	Case Complete Top BH/BA - Item Includes: 1, 13, 14 & 15	1
3	98200009	Base Assembly - Item Includes: 22,23,24,25,26,27, 28 & 30	
4	93062011	Induction coil #62.01 With RTCS Sensor	1
5	98021702	Power board 1.5 & 1.8Kw (I217 Version) - Item Includes: 20 & 21	1
<b>Important Notice Regarding Items 4 &amp; 5: If component is exchanged, all parameters must be reset using IR adapter tool P/N 98990001. Please refer to service manual for detailed instructions.</b>			
10	72184020	Upper Case "BH/BA"	1
11	77262001	Ceran Glass 262x262	1
12	3012600	Induction Overlay	1
13	35624001	Front Indicator Lamp 24V LED Green	1
14	94900070	Step Switch with Cable	1
15	39400003	Plastic Knob 0-9	1
16	60595004	Screws M5 x 12	4
17	65840001	Coil Pin	4
19	60528501	Plastic Screws For Coil M5x8	4
20	<b>34120109</b>	<b>Fuse T10A</b>	2
21	<b>34110019</b>	<b>Fuse T1.0A</b>	1
22	39500001	Screw Nut PG 13.5	1
23	39500007	Screwed Cable Gland PG 13.5	1
24	38618030	Power Cord USA Typ 5/15A	1
25	39311602	Main Line Filter 16A	1
26	94090011	Radial Fan 24V DC	1
27	71000006	Foot 40x40 M8	4
28	61421201	Knurled Nut, Height Adjustable Foot	4
30	<b>71000003</b>	<b>Air Intake Filter</b>	1

\* NOT ILLUSTRATED

**RECOMMENDED STOCK PARTS**



1.8Kw RTCS

## GARLAND PARTS IDENTIFICATION

### GIU 1.8kW 120V 50/60Hz (BH/BA 1800) - Counter Top Line - Item# 99560102

ITEM	PART #	DESCRIPTION	QUANTITY
1	98300100	Upper Case Assembly "BH/BA" - Item Includes: 10, 11 & 12	1
2	98300031	Case Complete Top BH/BA - Item Includes: 1, 13, 14 & 15	1
3	98200009	Base Assembly - Item Includes: 22,23,24,25,26,27, 28 & 30	
4	93062011	Induction coil #62.01 With RTCS Sensor	1
5	98021702	Power Board 1.5 & 1.8Kw (I217 Version) - Item Includes: 20 & 21	1
<b>Important Notice Regarding Items 4 &amp; 5: If component is exchanged, all parameters must be reset using IR adapter tool P/N 98990001. Please refer to service manual for detailed instructions.</b>			
10	72184020	Upper Case "BH/BA"	1
11	77262001	Ceran Glass 262x262	1
12	3012600	Induction Overlay	1
13	35624001	Front Indicator Lamp 24V LED Green	1
14	94900070	Step Switch With Cable	1
15	39400003	Plastic Knob 0-9	1
16	60595004	Screws M5 x 12	4
17	65840001	Coil Pin	4
19	60528501	Plastic Screws For Coil M5x8	4
20	<b>34120109</b>	<b>Fuse T10A</b>	2
21	<b>34110019</b>	<b>Fuse T1.0A</b>	1
22	39500001	Screw Nut PG 13.5	1
23	39500007	Screwed Cable Gland PG 13.5	1
24	38618030	Power Cord USA Typ 5/15A	1
25	39311602	Main Line Filter 16A	1
26	94090011	Radial Fan 24V DC	1
27	71000006	Foot 40x40 M8	4
28	61421201	Knurled Nut, Height Adjustable Foot	4
30	<b>71000003</b>	<b>Air Intake Filter</b>	1

\* NOT ILLUSTRATED

**RECOMMENDED STOCK PARTS**

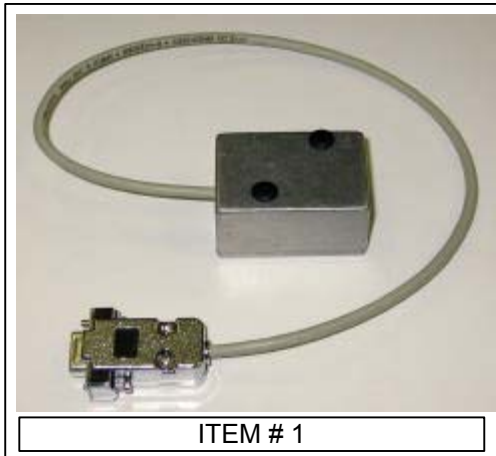
## GARLAND PARTS IDENTIFICATION

### Repair Accessories

ITEM	PART #	DESCRIPTION	QUANTITY
1	<b>98990001</b>	<b>IR Box</b>	1
2	70000020	Heat Conducting Paste P12	1
3*	70000022	High Temperature Tape	1
4	<b>94900096</b>	<b>Service Plug</b>	1
5	39800001	USB- RS232 Adapter	1

\* NOT ILLUSTRATED

#### **RECOMMENDED STOCK PARTS**





## GARLAND PARTS IDENTIFICATION

### Revision History

REV. #	PAGE #	ITEM #	NOTE	DATE
0			Book Released	May 15/06
1	4,5	3	Was Item 5	Jun 06/06
	6,7	4,5	Was Item 3 & 4 – Also Note Added Under Description	
2	5,7	21	New Part # – Was 34128004 (Fuse T0.8A)	Jan 11/07
3	4,6		New Drawing – Coil New Design & Item 18 Removed	Mar 06/07
	5,7	18	Part # 73000002 (Coil Spring) Removed	
4	5,7	5	New Part # & Description – Was 98011702 (Power Board 1.5 & 1.8Kw – Item Includes: 20 & 21	Mar 31/08

## **NOTES**

## **NOTES**

 **Garland**<sup>®</sup>