



**A&W ELECTRIC CHAIN
GRIDDLE
ECG36,48,60RFB**

PARTS LIST



Toll Free Phone, (US & Canada): (800) 427-6668

Toll Free Fax, (US & Canada): (800) 361-7745

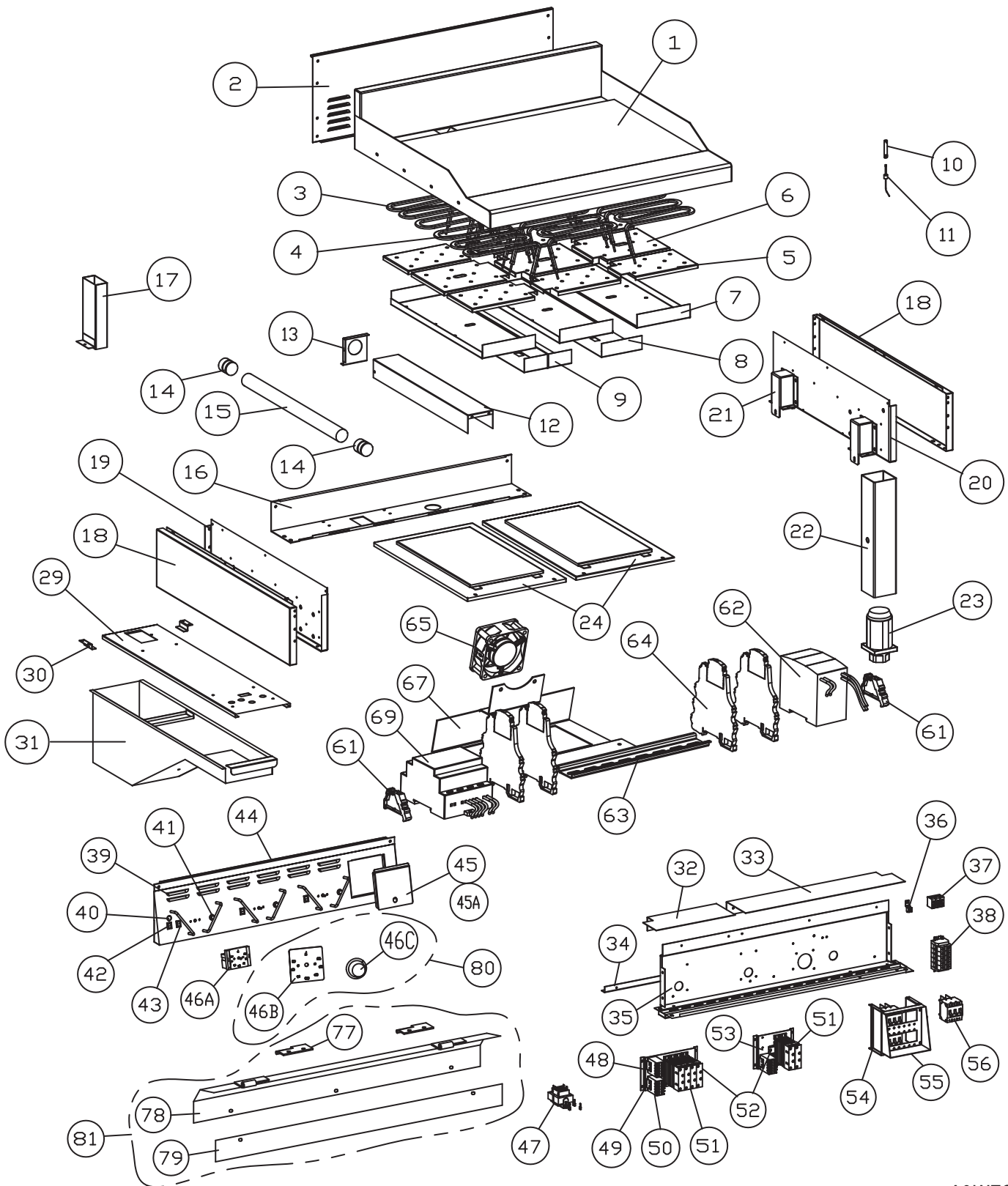
<http://www.garland-group.com>



**A&W ELECTRIC CHAIN
GRIDDLE
ECG36,48,60RFB**

Contents:

Electric Chain Griddle..... Page 4
Electric Chain Griddle Stand Page 8
Revision HistoryPage 10



GARLAND PARTS IDENTIFICATION
Electric Chain Griddle ECG-36, -48, -60RFB

ITEM	PART NO.	DESCRIPTION	QUANTITY		
			ECG-36RFB	ECG-48RFB	ECG-60RFB
1	2449697	Griddle Assy Reg.	1		
	2449696	Griddle Assy Satin	1		
	2428697	Griddle Assy Reg.		1	
	2428696	Griddle Assy Satin		1	
	2440997	Griddle Assy Reg.			1
	2440996	Griddle Assy. Satin			1
2	3065200	Main Back	1		
	3065201	Main Back		1	
	3065202	Main Back			1
3	3065700	Element - Front And Back 208V	6	8	10
4	3065600	Element - Center 208V	3	4	5
5	3061800	Element Clamp - Front And Back	6	8	10
6	3061900	Element Clamp - Center	3	4	5
7	3062000	Element Cover	3	4	5
8	3075400	Element Pan Filler	1	2	3
9	3062100	Element Pan Side	2	2	2
10	2423600	Bayonet Adapter	3	4	5
11	2423501	J Thermocouple	3	4	5
12	3075800	Conduit Heat Shield	1	1	1
13	3075600	Conduit Rear Bracket	1	1	1
14	3075900	Emt Connector 1 1/2"	2	2	2
15	3075500	Supply Conduit	1	1	1
16	3059501	Lower Back Panel 36"	1		
	3059500	Lower Back Panel 48"		1	
	3059502	Lower Back Panel 60"			1
17	2401499	Grease Chute Assy.	1	2	2
18	2513899	Side Panel Assy.	2	2	2
19	2513798	Body End Assy. - Left	1	1	1
20	2513799	Body End Assy. - Right	1	1	1
21	3063100	Leg Mount	4	4	4
22	3073602	Griddle Leg	4	4	4
23	G02954-1	2" Square Foot Insert	4	4	4
24	3075398	Bottom Cover Assy.	2		
	3075397	Bottom Cover Assy.		2	
	3075396	Bottom Cover Assy.			2
29	2429000	Pan Slide	1	2	2
30	3063300	Pan Slide Bracket	2	4	4
31	2430099	Std Grease Drawer	1	2	2
	2538399	Deep Grease Drawer	1	2	2
32	3074800	Inner Heat Shield - Left	1	1	1
33	3076101	Inner Heat Shield - Right	1		
	3076102	Inner Heat Shield - Right		1	
	3076103	Inner Heat Shield - Right			1
34	3065400	Bottom Mtg. Brkt.	1		
	3065401	Bottom Mtg. Brkt.		1	
	3065402	Bottom Mtg. Brkt.			1
35	3074300	Component Mtg. Brkt.	1		
	3074400	Component Mtg. Brkt.		1	
	3074500	Component Mtg. Brkt.			1

* NOT ILLUSTRATED

RECOMMENDED STOCK PARTS

GARLAND PARTS IDENTIFICATION
Electric Chain Griddle ECG-36, -48, -60RFB

ITEM	PART NO.	DESCRIPTION	QUANTITY		
			ECG-36RFB	ECG-48RFB	ECG-60RFB
36	01499-1	Ground Terminal	1		
37	2147300	Terminal Block	1		
38	2694801	Terminal Block		1	1
39	3061200	Front Panel	1		
	3061300	Front Panel		1	
	3061400	Front Panel			1
40	G01296-3	Pilot Light Green	1	1	1
41	2667200	Pilot Light Amber	3	4	5
42	2423301	Switch	1	1	1
43	2423300	Switch	3	4	5
44	2432100	Handle - Knob Guard	6	8	10
45	3062500	Circuit Breaker Cover	1	1	
	3062501	Circuit Breaker Cover			1
45A	3076300	Knob Style Latch	1	1	1
46A	2432001	Electronic Thermostat	3	4	5
46B	4515805	Dial Scale Deg F 450 (Insert 150 To 450)			
46C	4516733	Dial W/Pointer 1.71" Dia			
47	1636000	24V Transformer	1	1	1
48	3062700	Elec. Comp. Mtg. Brkt.	1	2	2
49	3060300	Relay Bracket	3	4	5
50	3060200	Relay 4 Pole	3	4	5
51	3060400	Relay 1 Pole	6	8	10
52	3062600	Din Rail	1	2	2
53	3077000	Elec Comp. Mtg. Brkt.	1		1
54	3061600	C.B. Support	2	2	2
55	3060700	C.B. Box Cover	1	1	
	3078600	C.B. Box Cover			1
56	3060100	Circuit Breaker	3	4	5
60*	1424221	RESISTOR 1K 1-4W.	1	1	1
61	3076500	Screw-Less End Stop	2	2	2
62	4520614	Power Supply, 12VDC 7.5W	1	1	1
63	4522176	DIN 35mm RAIL x 8in.	1	1	1
64	4522177	Opto Coupler Module	3	4	4
65	4522178	Cooling Fan,60x60x25mm	1	1	1
66*	4522179	Label Warning Flashing Lights	1	1	1
67	4522180	Bracket - ECG 36 Retrofit	1		
	4522181	Bracket - ECG 48 AND 60 Retrofit		1	1
68*	4522608	Harness ECG36 And 48		1	1
69	4522612	Control Assembly - ECG-FB	1	1	1
70*	4522864	ECG-FB Operator	1	1	1
71*	4522601	Wire Diagram ECG36 Retrofit	1		
72*	4522881	Wire Diagram - ECG36FB -1 Phase	1		
73*	4522882	Wire Diagram - ECG36FB -3 Phase	1		
74*	4522885	Wire Harness ECG-FB36	1		
75*	4522883	Wire Diagram - ECG48FB -1 Phase		1	1
76*	4522884	Wire Diagram - ECG48FB -3 Phase		1	1
77	2585300	Half Hinge			

* NOT ILLUSTRATED

RECOMMENDED STOCK PARTS

GARLAND PARTS IDENTIFICATION
Electric Chain Griddle ECG-36, -48, -60RFB

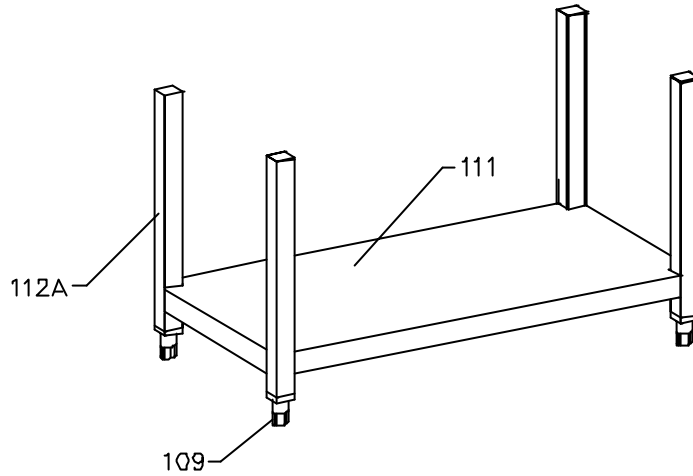
ITEM	PART NO.	DESCRIPTION	QUANTITY		
			ECG-36RFB	ECG-48RFB	ECG-60RFB
78	4515980	Guard Mount Assembly 24"			
	4515981	Guard Mount Assembly 36"	1		
	4515982	Guard Mount Assembly 48"		1	
	4515983	Guard Mount Assembly 60"			1
79	4515777	Control Guard 24"			
	4515778	Control Guard 36"	1		
	4515779	Control Guard 48"		1	
	4515780	Control Guard 60"			1

Kit Available					
80	4516847	Dial & Insert Kit - Includes 46B & 46C			
81	4516842	Guard Kit 24" (includes item# 77,78 & 79)			
	4516843	Guard Kit 36" (includes item# 77,78 & 79)			
	4516844	Guard Kit 48" (includes item# 77,78 & 79)			
	4516845	Guard Kit 60" (includes item# 77,78 & 79)			
	4516846	Guard Kit 72" (includes item# 77,78 & 79)			

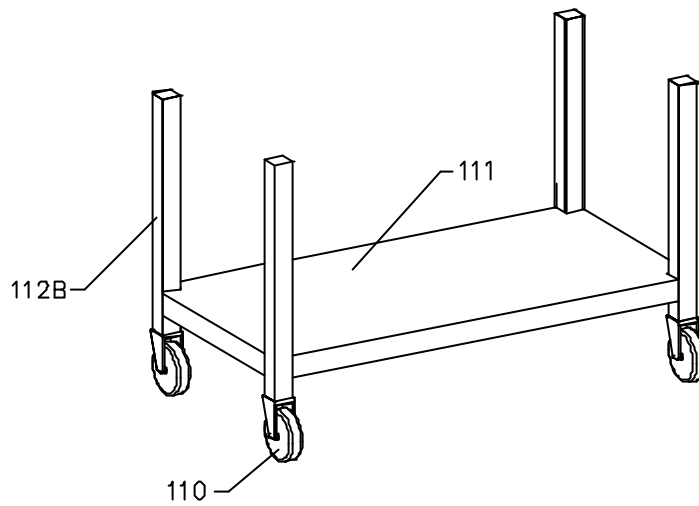
* NOT ILLUSTRATED

RECOMMENDED STOCK PARTS

STAND ASSEMBLY - BULLET LEG



STAND ASSEMBLY - CASTERS



Stand Griddle

GARLAND PARTS IDENTIFICATION
Electric Chain Griddle ECG-36, -48, -60RFB

ITEM	PART NO.	DESCRIPTION	QUANTITY		
			36RFB	48RFB	60RFB
109	G02954-1	2" Square Foot Insert	4	4	4
110	4518094	Swivel Caster W/Brake	2	2	2
	4518093	Swivel Caster	2	2	2
111	3098303	Stand Shelf 36"	1		
	3098300	Stand Shelf 48"		1	
	3098304	Stand Shelf 60"			1
112A	3098094	Stand Assembly 36" Bullet Leg	1		
	3098098	Stand Assembly 48" Bullet Leg		1	
	3098092	Stand Assembly 60" Bullet Leg			1
112B	3098095	Stand Assembly 36" Casters			
	3098099	Stand Assembly 48" Casters			
	3098093	Stand Assembly 60" Casters			

* NOT ILLUSTRATED

RECOMMENDED STOCK PARTS

GARLAND PARTS IDENTIFICATION

Revision History

REV. #	PAGE #	ITEM #	NOTE	DATE
0			Parts List Released	Aug 02/07
1	4		New Drawing	Jan 29/09
	6	77	New Part Number Added	
	7	78, 79		
		80		

NOTES

 **Garland**[®]