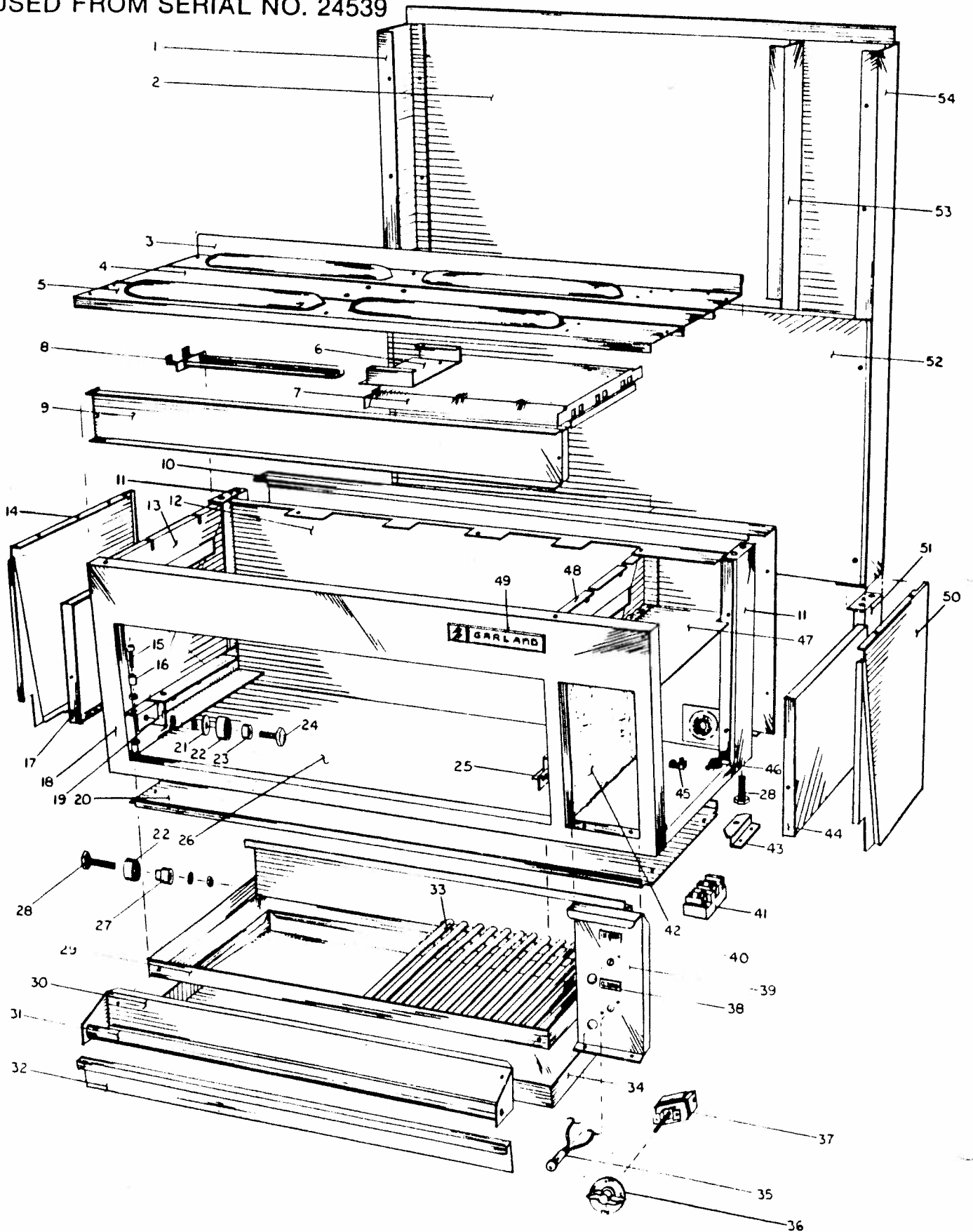


GARLAND

BROILERS MODELS ERC, ER-10, ER-680 & ER-690

USED FROM SERIAL NO. 24539



ITEM	PART #	DESCRIPTION	ERC	ER10	ER680	ER690
1	2784-2-82	Bracket Left Hand	-	1	1	-
2	2784-2-82P	Bracket Left Hand	-	-	-	1
3	6704-36-7	Hi Shelf Main Back	-	1	1	1
4	02378-1-4	Main Top Back	1	-	-	1
5	02378-1-8	Main Top Back	-	1	1	-
6	02376-1-4	Main Top Center	1	-	-	1
7	02376-1-8	Main Top Center	-	1	1	-
8	02377-1-4	Main Top Front	1	-	-	1
9	02377-1-8	Main Top Front	-	1	1	-
10	02386-1-6	Element Pan Support	2	2	2	2
11	02360-1-6	Element Radiation Pan	2	2	2	2
12	02359	Element (Specify Voltage)	6	6	6	6
13	02375-1-6	Front Brace	1	1	1	1
14	02391-1-8	Main Back	1	-	-	-
15	01387-01-8	Support Bracket Assembly	2	-	-	-
16	02374-01-6	Flue Back Assembly	1	1	1	1
17	02361-1-6	Side Liner Left	1	1	1	1
18	01392-1-82	Main Side Left	1	1	1	-
19	01392-1-92	Main Side Left	-	-	-	1
20	01554-64	Allen Cap Screw 1/4-20 X 1 1/4	4	4	4	4
21	01989-1-8	Post Bearing	1	1	1	1
22	02372-1-6	Insulating Cover Left	1	1	1	1
23	02371-01-9	Front Frame Assembly	1	1	1	1
24	02442-01-82	Roller Guide Assembly Left	1	1	1	1
25	02385-01-6	Main Bottom Cover Assembly	1	-	-	-
26	02385-2-6	Main Bottom Cover	-	1	1	1
27	01247-1-8	Front Bearing Washer	2	2	2	2
28	01244-1	Broiler Roller Bearing	4	4	4	4
29	01247-2	Front Bearing Bushing	2	2	2	2
30	01653-1	Bearing Bolt	2	2	2	2
31	02442-01-81	Roller Guide Assembly Right	1	1	1	1
32	02362-1-7	Main Bottom	1	1	1	1
33	01247-3	Rear Bearing Bushing	2	2	2	2
34	6424	Adjusting Bolt	6	2	2	2
35	02357-01-8	Rack Frame and Grease Chute Assembly	1	1	1	1
36	01860-2-9	Rack Veneer	1	1	1	1
37	01904-05-0	Handle Assembly	1	1	1	1
38	02389-1-9	Grease Tray Front	1	1	1	1
39	02387-01-5	Rack Assembly	2	2	2	2
40	02388-1-8	Grease Tray	1	1	1	1
41	01296-1	Pilot Lamp (Red)	2	2	2	2
42	1035-1	Switch Handle	2	2	2	2
43	02667-1	3 Heat Switch	2	2	2	2
44	1555-8	Identification Plate (Left Grid)	1	1	1	1
45	02390-1-9	Switch Panel	1	1	1	1
46	1555-7	Identification Plate (Right Grid)	1	1	1	1
47	01269-1	Terminal Block	1	1	1	1
48	M78	Insulation (14 X 9 X 2)	1	1	1	1
49	02463-1-9	Counter Mount Tie Down Bracket	2	-	-	-
50	02373-1-6	Insulating Cover Right Hand	1	1	1	1
51	01500-1	Ground Lug	1	1	1	1
52	01497-1	BX Connector Straight - 3/8	2	2	2	2
53	02392-01-6	Switch Cover Assembly	1	1	1	1
54	02363-1-6	Side Liner Right Hand	1	1	1	1
55	2472-1	GARLAND Nameplate (Electric)	1	1	1	1
56	01392-1-81	Main Side Right Hand	1	1	1	1
57	01392-1-91	Main Side Right Hand	-	-	-	1
58	01456-1-8	Support Bracket	-	-	2	2
59	01402-2-4	Front Panel	-	1	-	-
60	02396-1-9	Salamander Front Panel (For 686 & 696 Only)	-	-	1	1
61	02396-24-92	Salamander Front Panel (For 686 and 696-24G Left Hand)	-	-	1	1
62	02396-36-9	Salamander Front Panel (For 686 & 696-36G)	-	-	1	1
63	02396-12-9	Salamander Front Panel (For 686 & 696-12G)	-	-	1	1
64	02392-1-7	Heat Baffle	-	1	1	1
65	2784-2-81	Bracket Right Hand	-	1	1	-
66	2784-2-81P	Bracket Right Hand	-	-	-	1