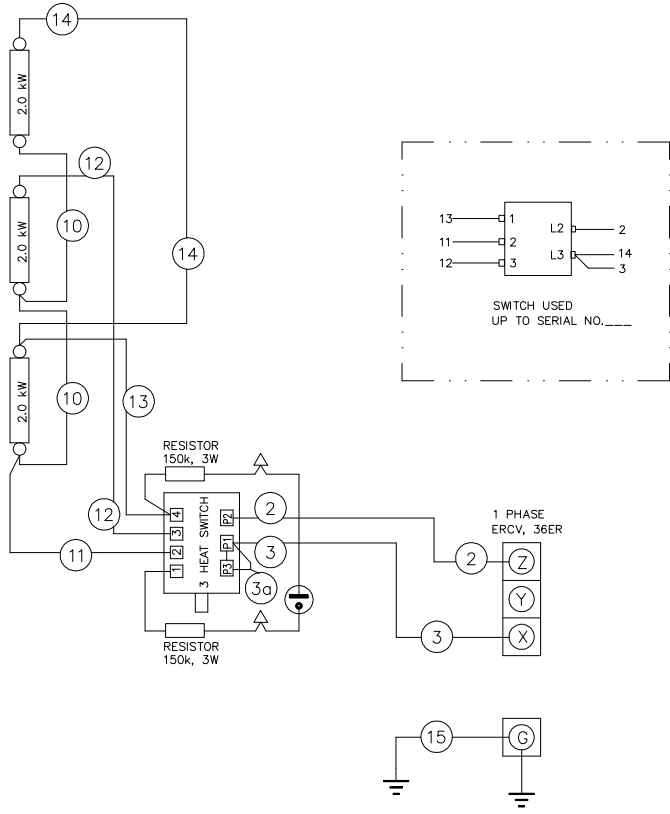


REV	DESCRIPTION	DR.	DATE	REV.#
REVISIONS				
TOLERANCE 0.015" UNLESS OTHERWISE SPECIFIED				
ALL DIMENSIONS ARE IN INCHES				
DR. 1	CHK. BY:	SCALE:	DATE:	
V.C.	NA	NA	JULY 7/07	
TITLE:				
WIRING DIAGRAM ER HV				
ER36, ERCV, ER10, SERC				
GARLAND		02503		
COMMERCIAL RANGES LIMITED		SHT. 1 OF 2		
MISSISSAUGA, ONTARIO, CANADA				



MODEL	TOTAL K.W. LOADING		NOMINAL AMPS PER PHASE SINGLE PHASE	
	380V	480V	380V	480V
SERC	6.0	6.0	15.8	12.5

REVISION 2: REDRAW, 3 HEAT SWITCH WAS G2088

MODEL: SERC(480 VAC)

GARLAND COMMERCIAL RANGES LIMITED
MISSISSAUGA, ONTARIO, CANADA

DWG: 02503-1/2

MODEL	TOTAL K.W. LOADING	K.W. LOADING PER PHASE						NOMINAL AMPS PER PHASE									
		380V			480V			1 PHASE		3 PHASE							
		380V	480V	X-Y	Y-Z	X-Z	X-Y	Y-Z	X-Z	380V	480V	X	Y	Z	X	Y	Z
SERC	6.0	6.0		-	-		-	-		15.8	12.5	-	-	-	-	-	-

Assembly Number: 02503 Title: ER10V, ER36 ERC36 WIRE SPECIFICATIONS
Date: 17-Jul-07 By: VC

item	wire mark	part number	gauge	type	colour	description	length	QTY	terminal A	terminal A description	terminal B	terminal B description
1	1											
2	2	H36	12GA	UL1727	BLACK	STRANDED	18	1	X10	STRIP 5/8"	F150	WIRE PIN-12/10 WP13022FT INSUL
3	3	H37	12GA	UL1727	RED	STRANDED	18	1	X10	STRIP 5/8"	F150	WIRE PIN-12/10 WP13022FT INSUL
4	3a	H20	16GA	UL1727	RED	STRANDED	4	1	F151	WIRE PIN-16/14 WP13015SFT	F151	WIRE PIN-16/14 WP13015SFT
5	10	H19	16GA	UL1727	BLACK	STRANDED	8	2	F146	TERMINAL-#10 RING 16-14GA OPEN BA	F146	TERMINAL-#10 RING 16-14GA OPEN BA
6	11	H36	12GA	UL1727	BLACK	STRANDED	30	1	F150	WIRE PIN-12/10 WP13022FT INSUL	F476	TERMINAL-RING#10 STUD 12-10GA. 650F
7	12	H20	16GA	UL1727	RED	STRANDED	30	1	F151	WIRE PIN-16/14 WP13015SFT	F146	TERMINAL-#10 RING 16-14GA OPEN BA
8	13	H20	16GA	UL1727	RED	STRANDED	30	1	F151	WIRE PIN-16/14 WP13015SFT	F146	TERMINAL-#10 RING 16-14GA OPEN BA
9	14	H19	16GA	UL1727	BLACK	STRANDED	10	1	F146	TERMINAL-#10 RING 16-14GA OPEN BA	F146	TERMINAL-#10 RING 16-14GA OPEN BA
10	15	H37	12GA	UL1727	RED	STRANDED	10	1	F473	TERMINAL-RING #10 STUD 12-10GA INS.	F473	TERMINAL-RING #10 STUD 12-10GA INS.
11												
12												
13												
14												
15												
16												
17												
18												
19												
20												
21												
22												
23												
24												
25												
26												
27												
28												

2	3 HEAT SWITCH WAS G2088, REDRAWN	WVC	JULY 17/07	
REV	DESCRIPTION	DR.	DATE	REV.#
REVISIONS				

USE FROM SERIAL No. _____ TO _____

MODEL NO:	DATE:	DR:
ER10	JULY 17/07	VC
ER36, ERCV	02503	
208-240VAC		