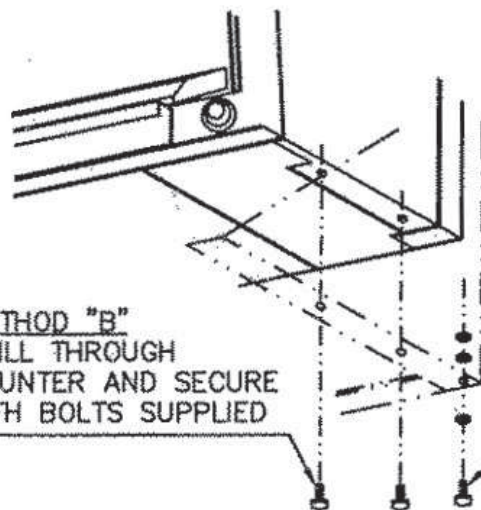


METHOD OF INSTALLING WALL MOUNTING KIT

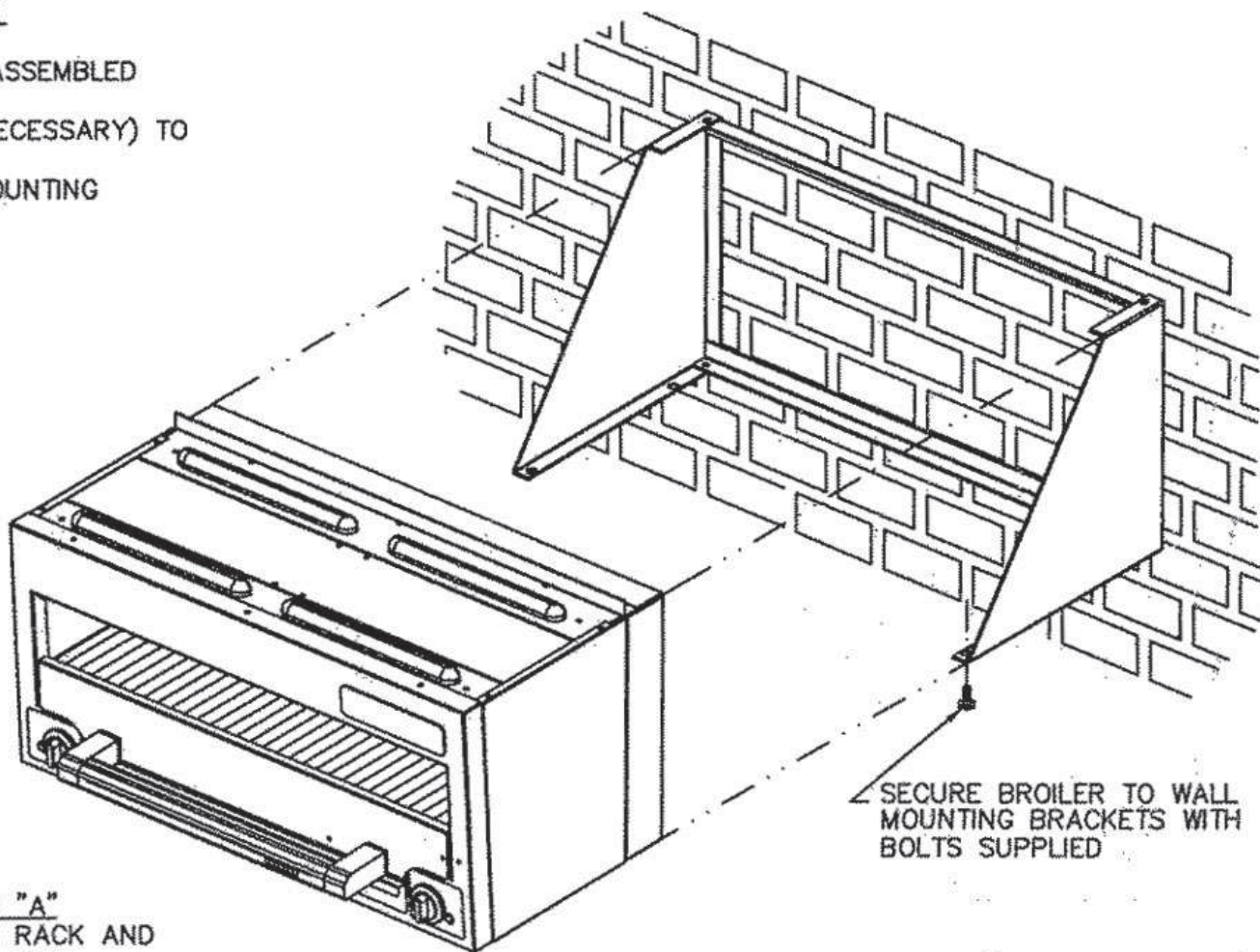
1. POSITION, LEVEL & MARK LOCATION OF ASSEMBLED WALL MOUNTING KIT.
2. DRILL WALL (LOCATING WALL STUDS IF NECESSARY) TO ACCEPT SUITABLE FASTENING DEVICES.
3. DRILL ANGLE IRON TIE BARS OF WALL MOUNTING KIT TO MATCH HOLES DRILLED IN WALL.
4. INSTALL WALL MOUNTING KIT ON WALL.
5. INSTALL AND SECURE BROILER.

COUNTER MODEL
MUST BE FASTENED
TO COUNTER TOP



METHOD "B"
DRILL THROUGH
COUNTER AND SECURE
WITH BOLTS SUPPLIED

METHOD "A"
REMOVE RACK AND
SECURE WITH
SCREWS SUPPLIED



SECURE BROILER TO WALL
MOUNTING BRACKETS WITH
BOLTS SUPPLIED

GARLAND

COMMERCIAL RANGES LIMITED
MISSISSAUGA, ONTARIO, CANADA

01589

REV 1