



U.S. Range

A *WELBILT* Company

Replacement Parts Catalog

Effective February 1, 1991



185 East South Street, Freeland, PA 18224-1999
Telephone: (800) 424-2411 Fax: (800) 828-6831

Parts & Service is open weekdays from 8:00 AM to 4:30 PM (EST)

TABLE OF CONTENTS

Performer Series - "P" Model.....	1
(NOTE: For Serial Numbers Beginning with "V").....	15
Cuisine - 836 Series.....	19
Cuisine - 1100 Series.....	27
Salamander - BS-R, BS-W, BS-C.....	31
Regal - RBA Series - Char-Broiler.....	35
Regal - RGM Series - Griddle.....	39
Regal - RGM Series - Open Burner / Griddle.....	41
Regal Griddle Plate Assemblies.....	43
Regal RGTA Series - T-Stat Griddle.....	45
Regal RHPA Series - Hot Plate.....	47
Regal RGTBK Series - Burger King.....	49
Regal IRCMA Series - I/R Cheesemelter.....	53
Regal - TR Series - Taco Range / Stock Pot.....	57
Char-Glo Series - CHDSA, RGHDSA, C-JR.....	61
Taco Bell - TB24GG Griddle.....	67
B•B•Q -48, 60, 72.....	71
Deep Fat Fryer - 836 -1-1414 / PD - 1-1212-73.....	73
Deep Fat Fryer - 836/841 - 1414-1, -2 (Old Style) (Using Dean Tank).....	77
PSM-35 - Performer Super Marathon.....	81

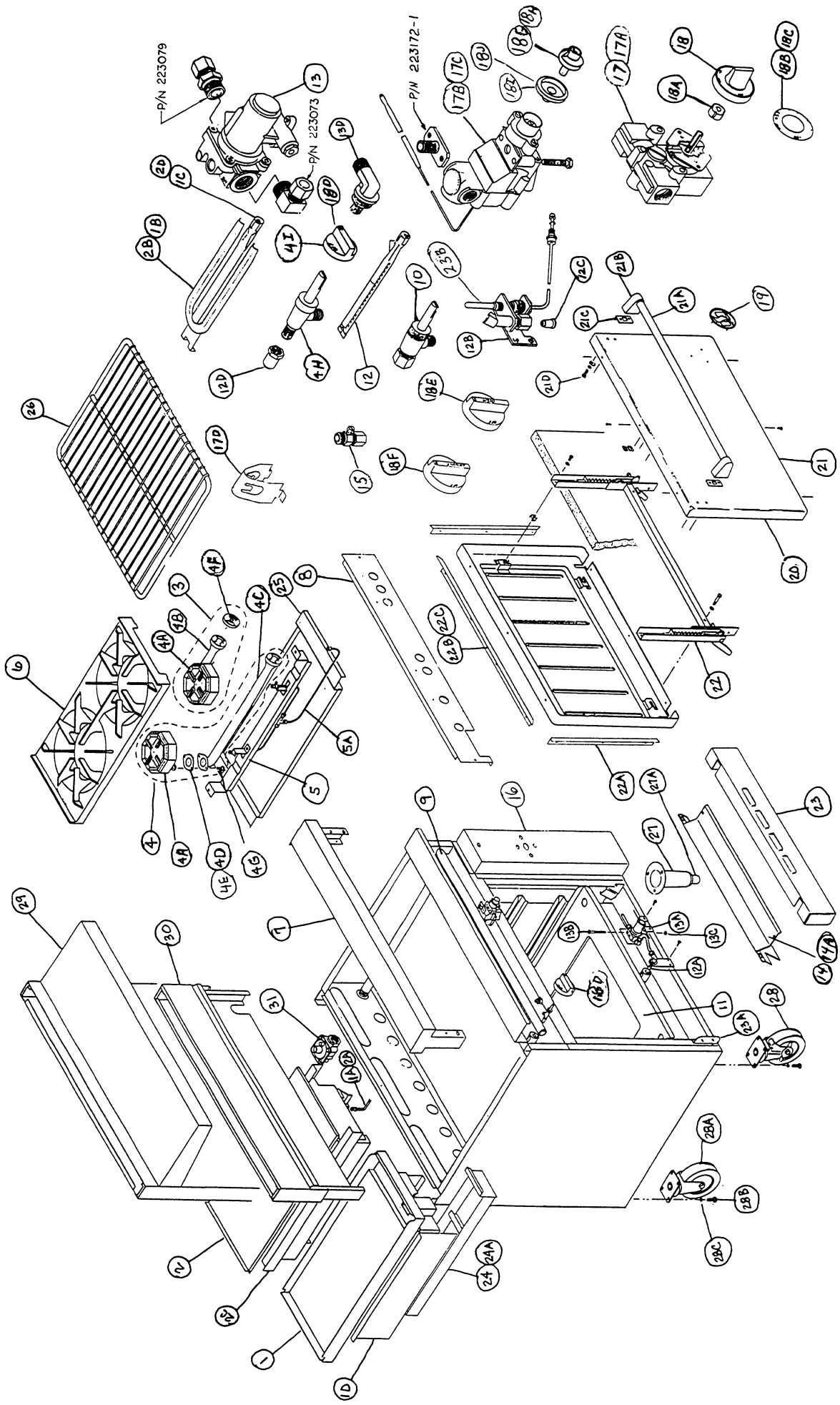
DISCONTINUED MODELS

CG-1, 2 - Convection Oven.....	85
Performer Series - "PF" Model.....	89
Phoenix - 900 Series - Convection Oven.....	97
Regal - IRCMA Series - I/R Cheesemelter.....	103
Cuisine - 860/836-60 - Salamander Broiler.....	107
Regal - RCF Series - Chicken/Fish Fryer.....	111

PLEASE NOTE: WHEN ORDERING PARTS, PLEASE HAVE MODEL NUMBER, SERIAL NUMBER AND PART NUMBER IF AVAILABLE.

PLEASE SPECIFY NATURAL OR LP GAS AND VOLTAGE AND PHASE IF USED.

PERFORMER II Restaurant Series



PERFORMER II Restaurant Series

Item No	Part No	Description
1	Griddle plate	Specify Model* - Left or Right side drain
1A	282234	Pilot tubing assy - 1 per burner - Griddle
1B	282211	Burner assy - Griddle
1C	223005-4	Air shutter - Griddle burner
1D	Griddle	Fire box side rail assy - Specify model #
2	282227	Hot top plate assy - 12" inch
2A	282234	Pilot tubing assy - Hot top (1) Per section
2B	282211	Burner assy - Hot top
2C	282228	Hot top frame assy - 12" inch
2D	223005-4	Air shutter - Hot top burner
3	282554	Open top burner assy - (front)
4	282555	Open top burner assy - (rear)
4A	222162	Open burner head only
4B	222171	Venturi/Air shutter - Front burner - stainless steel
4C	222172	Venturi/Air shutter - Rear burner - stainless steel
4D	224005	Gasket/burner head - (Cast iron venturi only)
4E	224005-1	Gasket/burner head - (Stainless steel - venturi only)
4F	223005	Air shutter - (Cast iron venturi only)
4G	225233	Bolts (Open burner head to venturi)
4H	227053	Burner valve - Open top, griddle & hot top - w/o orifice
4I	224002	Burner valve knob - Open top, griddle & hot top metal
5	282244	Open burner hanger assy
5A	282241	Open burner pilot tubing assy
6	222157	Top grate - Open burner
7	282024-1	Landing Ledge - 24" - Top
	282024-2	Landing Ledge - 36" - Top
	282024-3	Landing Ledge - 60" - Top
	282024-4	Landing Ledge - 48" - Top
	282024-5	Landing Ledge - 72" - Top
8	Valve cover	Specify model & Serial number
9	Manifold assy	Specify model & Serial number
10	227005	Oven manual shut off valve
11	282080-01	Oven bottom with flame spreader - 20" oven
	282080-02	Oven bottom with flame spreader - 26" oven

***Quantities vary depending on model number**
****Item not shown on drawing**

PERFORMER II Restaurant Series

Item No	Part No	Description
12	282059	Oven burner with air shutter assy
12A	223242-42	Oven burner orifice - NAT - 20" oven
	223242-53	Oven burner orifice - LP - 20" oven
	223242-34	Oven burner orifice - NAT - 26" oven
	223242-51	Oven burner orifice - LP - 26" oven
12B	227184	Oven pilot burner - NAT (mounted on L/S of burner)
	227184-1	Oven pilot burner - LP (mounted on L/S of burner)
	227198	Oven pilot burner - NAT (mounted on R/S of burner)
	227198-1	Oven pilot burner - LP (mounted on R/S of burner)
12C	227049-18	Oven pilot orifice - NAT - 20" oven
	227049-10	Oven pilot orifice - LP - 20" oven
	227049-18	Oven pilot orifice - NAT - 26" oven
	227049-10	Oven pilot orifice - LP - 26" oven
12D	223242-46	Open burner orifice - NAT
	223242-55	Open burner orifice - LP
	223242-48	Hot top burner orifice - NAT
	223242-56	Hot top burner orifice - LP
	223242-51	Griddle burner orifice - NAT - (thermostat control)
	223242-57	Griddle burner orifice - LP - (thermostat control)
	223242-44	Griddle burner orifice - NAT - (manual control)
	223242-54	Griddle burner orifice - LP - (manual control)
13	227071	Oven safety pilot valve - Baso type
13A	282534	Safety pilot bracket
13B	225065	Bolt for bracket - 10 - 24 x 2 1/2"
13C	225066	Hex nut for bracket - 10 - 24"
13D	223280	Orifice elbow - w/o orifice - Oven - 1/4" x 3/8"
14	282441-1	Front burner compartment baffle - 20" oven
14A	282441-2	Front burner compartment baffle - 26" oven
15	227199	Pilot valve adj. (used across the board)
16	Control panel	Specify model & Serial number

***Quantities vary depending on model number**
****Item not shown on drawing**

PERFORMER II Restaurant Series

Item No	Part No	Description
17	227181-1	Thermostat - Oven - GS type
17A	227181-2	Thermostat - Griddle - GS type
17B	227054	Thermostat - Oven - "BJ Type" (2-hole)
17C	227000	Thermostat - Griddle - "BJ type" (2-hole)
17D	225222	Capillary bulb holder - Oven TST
18	224233	@ Thermostat knob - Black
18A	224232	@ Insert (RED) between thermostat stem & knob
18B	224279	@ Overlay (DEGREES) oven thermostat
18C	224280	@ Overlay (DEGREES) griddle thermostat
18D	224271	Burner knob (BLACK) plastic - Open top - "ON/OFF"
18E	224274-1	Knob (RED) "ON/OFF" - Oven - GS TST
18F	224274-3	Knob (RED) "ON/OFF" - Griddle - GS TST
18G	224022	Dial - Oven - "BJ" Type TST
18H	224000	Dial - Griddle - "BJ" Type TST
18I	228111	Bezel - Oven TST
18J	228112	Bezel - Griddle TST
19	229000	U.S. Range Emblem - (BLUE)
20	282130	Oven door assy - S/S - 20" oven
	282110	Oven door assy - S/S - 26" oven
	282130-1	Oven door assy - BLK - 20" oven
	282110-1	Oven door assy - BLK - 26" oven
21	282131-1	Oven door liner - Porc - 20" oven
	282111-1	Oven door liner - Porc - 26" oven
	282134	Oven door front panel - S/S - 20" oven
	282114	Oven door front panel - S/S - 26" oven
	282477	Oven door front panel - BLK - 20" oven
	282476	Oven door front panel - BLK - 26" oven
21A	221187-14	Oven door handle - 20" oven
	221187-15	Oven door handle - 26" oven
21B	224225	Door handle bracket, plated
21C	224242	Door handle spacer
21D	225005	Door handle bolt 1/4 x 20 x 3/4

@Have to order seperately - knob, insert and overlay to make up complete thermostat dial. (GS thermostat only)

*Quantities vary depending on model number
**Item not shown on drawing

PERFORMER II Restaurant Series

Item No	Part No	Description
22	282135	Door closure mechanism assy - 20"
	282115	Door closure mechanism assy - 26"
22A	282068	Oven door seal (sides) - 20" & 26" oven
22B	282067-1	Oven door seal (top) - 20" oven
22C	282067-2	Oven door seal (top) - 26" oven
23	282022-1	Kick plate - S/S - 20" oven
	282022-2	Kick plate - S/S - 26" oven
	282478-1	Kick plate - BLK - 20" oven
	282478-2	Kick plate - BLK - 26" oven
23A	282043	Kick plate bracket assy
23B	227183	Thermocouple
24	282437	Grease can - Griddle - 2" wide
24A	282422	Grease can - Griddle - 4" wide
25	282033-1	Drip pan - open top - 12"
	282033-2	Drip pan - open top - 24"
	282033-3	Drip pan - open top - 36"
26	226060-1	Oven rack - 20" oven - 20 9/16" x 19 7/8"
	226060-2	Oven rack - 26" oven - 20 9/16" x 26 3/8"
27	223283	6" cone leg
27A	224073	Foot insert
28	223277-1	Caster w/brake
28A	223277-2	Caster w/o brake
28B	225248	Bolt for casters & legs (4 per leg or caster)
28C	225076	Lockwashers - casters & legs (4 per leg or caster)
29	282260-1	High shelf assy - S/S - 24" range
	282260-2	High shelf assy - S/S - 36" range
	282260-3	High shelf assy - S/S - 60" range
	282260-4	High shelf assy - S/S - 48" range
	282260-5	High shelf assy - S/S - 72" range
	282260-6	High shelf assy - BLK - 24" range
	282260-7	High shelf assy - BLK - 36" range
	282260-8	High shelf assy - BLK - 60" range
	282260-9	High shelf assy - BLK - 48" range
	282260-10	High shelf assy - BLK - 72" range

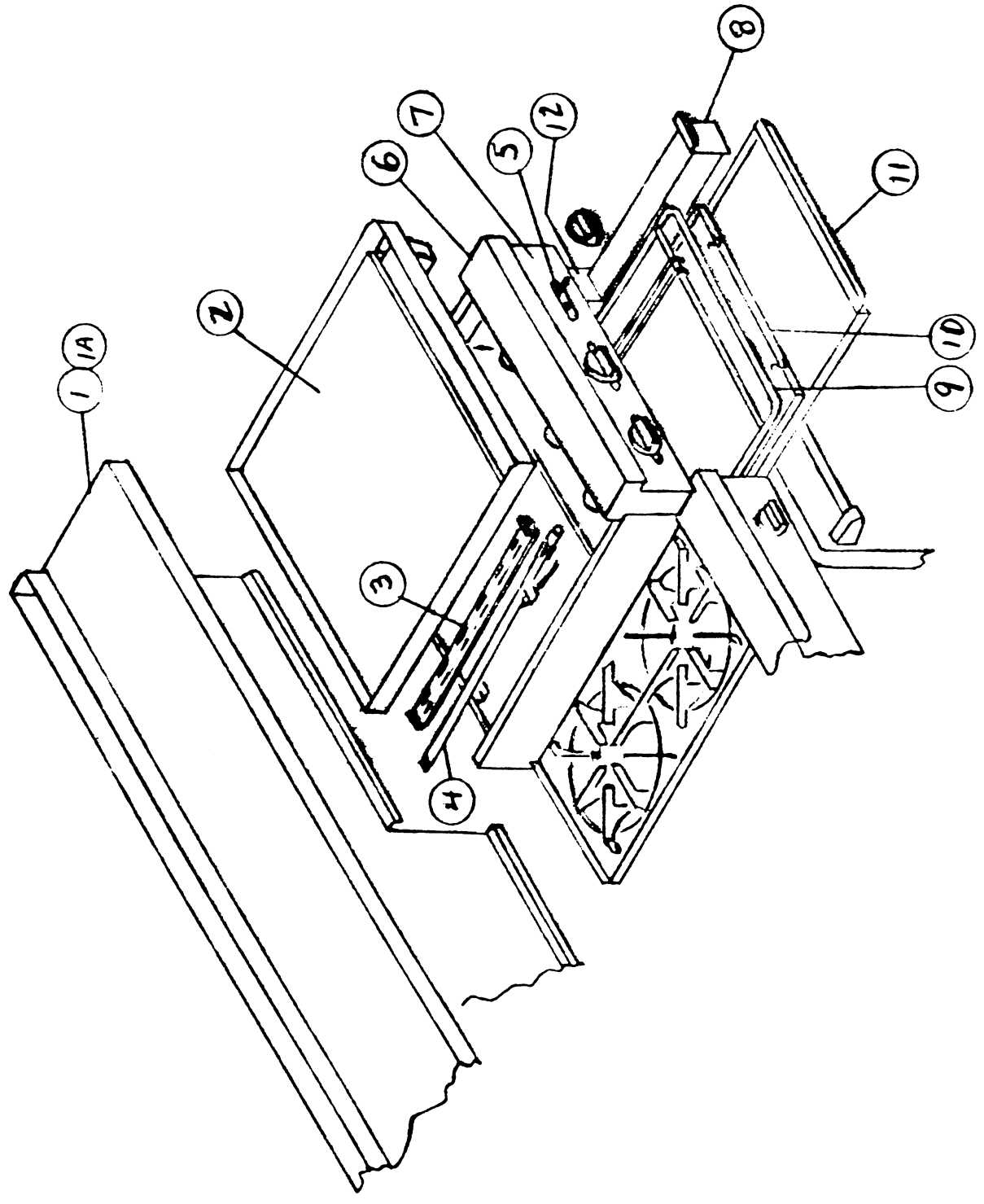
***Quantities vary depending on model number**
****Item not shown on drawing**

PERFORMER II Restaurant Series

Item No	Part No	Description
30	282251-1	Stub back assy - S/S - 24" range
	282251-2	Stub back assy - S/S - 36" range
	282251-3	Stub back assy - S/S - 60" range
	282251-4	Stub back assy - S/S - 48" range
	282251-5	Stub back assy - S/S - 72" range
	282251-6	Stub back assy - Black - 24" range
	282251-7	Stub back assy - Black - 36" range
	282251-8	Stub back assy - Black - 60" range
	282251-9	Stub back assy - Black - 48" range
	227251-10	Stub back assy - Black - 72" range
31	228052-13	Pressure regulator - NAT - 3/4" 5" W.C.
	228052-14	Pressure regulator - LP - 3/4" 10" W.C.

** Item not shown on drawing

PERFORMER II
Broiler Griddle 12" - 24"

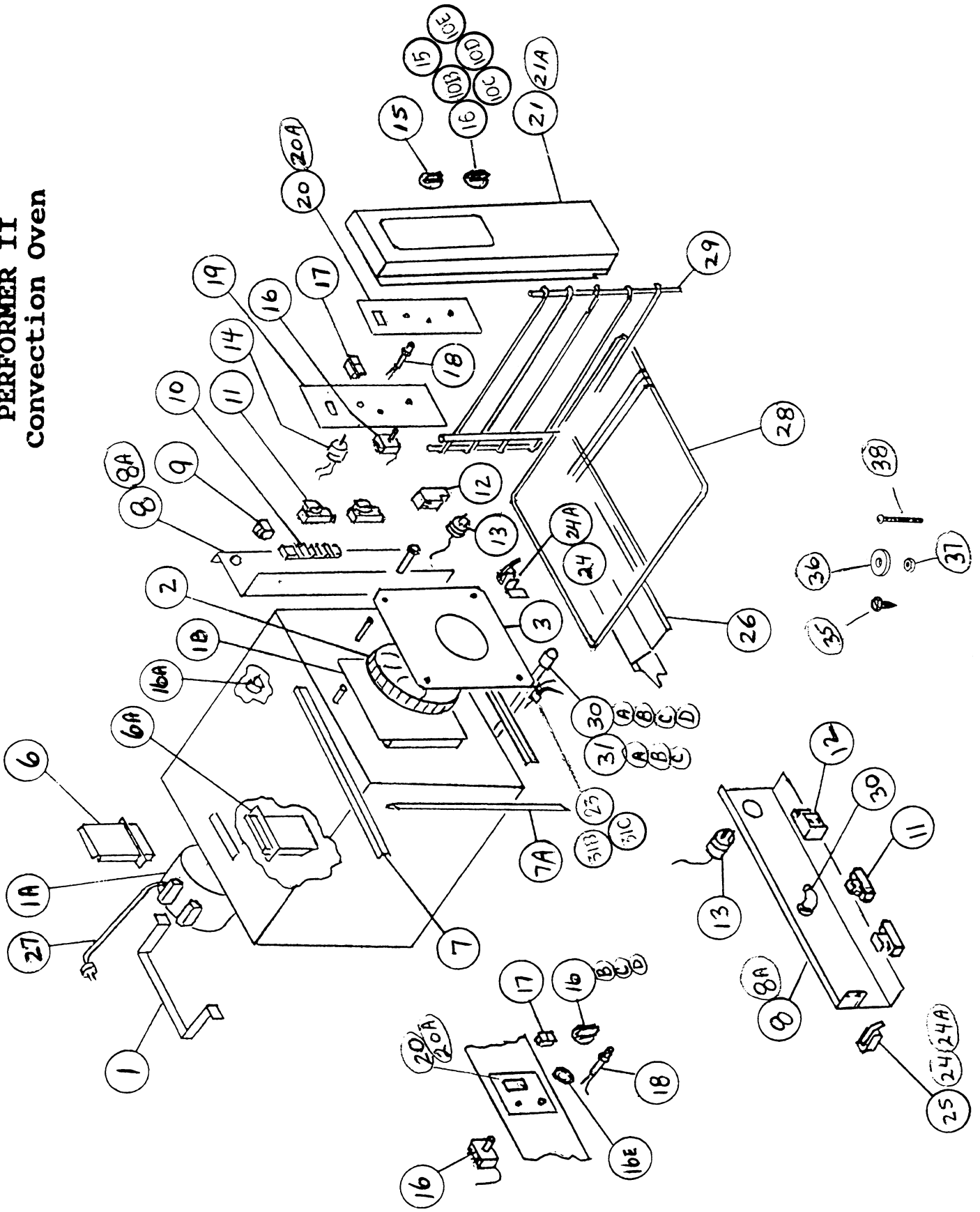


PERFORMER II
Broiler Griddle 12" - 24"

Item No	Part No	Description
1	HI-Shelf assy	Specify model number - S/S or painted
1A	Stub back assy	Specify model number - S/S or painted
2	282168-1	Griddle plate assy - 24" R/H
	282168-2	Griddle plate assy - 24" L/H
	282168-3	Griddle plate assy - 12" R/H
	282168-4	Griddle plate assy - 12" L/H
3	282165	Radiant / Screen assy
4	282174	Burner assy with bracket
	227053	Burner valve - w/o orifice
	223242-51	Orifice / Burner - NAT
	223242-57	Orifice / Burner - LP
	224271	Knob (Black) - "ON/OFF"
	227182	Pilot burner - NAT
	227199	Pilot valve / single - adjustable
5	Manifold assy	* Specify model & serial number
6	282024-1	Landing ledge assy - 24"
	282024-6	Landing ledge assy - 12"
7	282018-100-1	Valve cover - R/H - 24"
	282018-100-2	Valve cover - L/H - 24"
	282018-101-1	Valve cover - R/H - 12"
	282018-101-2	Valve cover - L/H - 12"
8	282177	Grease can assy
9	226063	Wire rack - 12"
	226059	Wire rack - 24"
10	252315-1	Grease catcher - 12"
	252315-2	Grease catcher - 24"
11	282176-1	Drip pan - 12"
	282176-2	Drip pan - 24"
12	282180-1	Front end cap - R/H
	282180-2	Front end cap - L/H

***Quantities vary depending on model number**
****Item not shown on drawing**

**PERFORMER II
Convection Oven**



PERFORMER II Convection Oven

Item No	Part No	Description
1	282285	Motor guard
1A	228129	Motor only - 1/4 HP
1B	252757	Motor pad assy
2	228130	Blower wheel / Fan
2A	225249	Bolts for motor mount - 1/4" - 20"
2B	225053 -2	Hex nut - 1/4" - 20" x 7/16"
3	261543	Blower cover - (BLACK)
3A	261543-1	Blower cover - (porcelain)
4	261590-1	Spacer - inside fan guard
4A	261590-2	Spacer - outside fan guard
5	225076	Washer
6	282092	Flue assy
6A	261545-1	Flue spout assy
7	282067-2	Door gaskets - Top and bottom
7A	282068	Door gaskets - Sides
8	282431-1	Control bracket - R/H - 36" & 72" units only (side)
8A	282431-2	Control bracket - L/H - 36" & 72" units only (side)
9	227157	Buzzer - 36" & 72" units only
10	228000	Terminal block - 36" & 72" units only
11	227160-2	Solenoid valve w/bracket
12	227168	Spark module
13	227175	Flame switch
14	228265	Timer - 36" & 72" units only
15	224230-1	Knob (Gray) - Timer & TST - 36" & 72" units only
16	227155	Thermostat - Electric (KX Type)
16A	225222	Capillary bulb holder
16B	224233	* TST knob - 48" & 60" units only
16C	224232	* Insert for knob - 48" & 60" units only
16D	224279	* Overlay for knob - 48" & 60" units only
16E	224237	Bezel - 48" & 60" units only
17	228264-1	3 - way switch - "ON/OFF/COOL DOWN" (White)
18	228007-3	Indicator Light - (Red)
19	282065-1	Control panel bracket - 36" & 72" units only - Decal

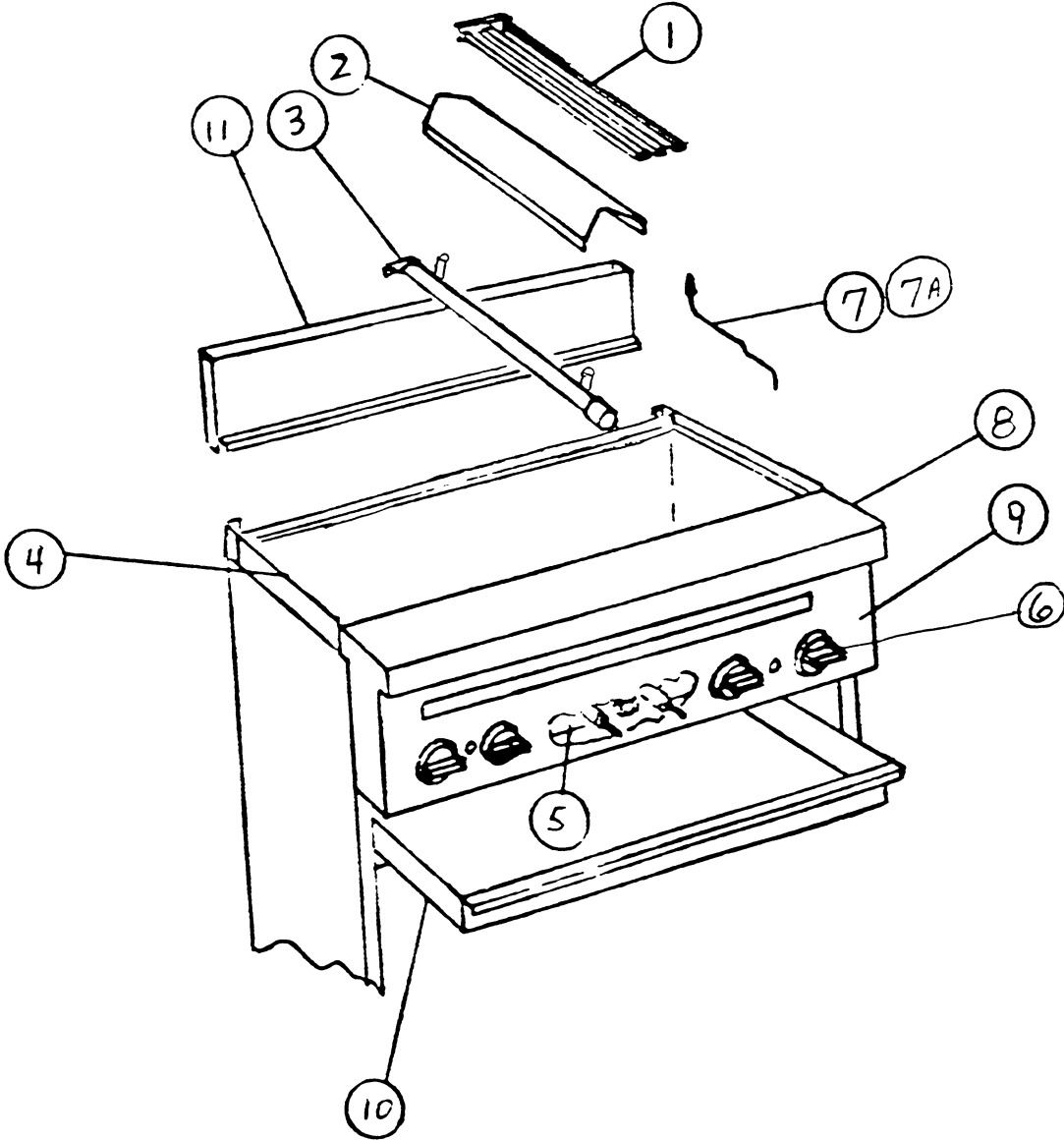
***Quantities vary depending on model number**
****Item not shown on drawing**

PERFORMER II Convection Oven

Item No	Part No	Description
20	229125	Control face plate decal - 48" & 60" units only (Gray)
20A	229127	Control face plate decal - 36" & 72" units only (Gray)
21	282045-1	Control cover assy - R/H - 36" & 72" units only
21A	282045-2	Control cover assy - L/H - 36" & 72" units only
22	229129	Wiring diagram - 48" & 60" units only
22A	229129-1	Wiring diagram - 36" & 72" units only
23	227185	Pilot burner assy w/leads - NAT
24	282075	Door switch bracket - L/H - 36" & 72" units only
24A	282075-1	Door switch bracket - R/H - 36" & 72" units only
25	227034	Microswitch / Doorswitch
26	282441-2	Front baffle
27	228210-1	Electrical power cord
28	226061	Oven rack - 25 7/8" x 20 9/16"
29	226050	Oven rack support (L/H or R/H)
30	282442	Bottom orifice bracket - 48" & 60" only
30A	223000-1	Orifice elbow 90 w/o orifice / Trailer pilot
30B	223073	Elbow 90 - 3/8" x 3/8" NPT
30C	223076	Elbow 90 (1/8")
30D	282059	Oven burner
31	223242-40	Oven burner orifice - NAT
31A	223242-53	Oven burner orifice - LP
31B	227049-18	Oven pilot orifice - NAT
31C	227049-10	Oven pilot orifice - LP
32	282457	Oven aeration pan
33	252773	Nipple/tapped - 3/8" x 2"
34	223079	Half union/brass 3/8" x 1/4" Brass
35	225072	Screw - 10 - 1/2"
36	225009	Insulating washer - 3/4" O.D X 1/4" I.D X 1/8"
37	225010	Hex nut, 8-32
38	225094	Fastener - 6 - 32" x 1 1/2
39	225013	Hex nut - 6 - 32

***Quantities vary depending on model number**
****Item not shown on drawing**

PERFORMER II
Char-Broiler RB-26 PMA/RB - 36 PMA

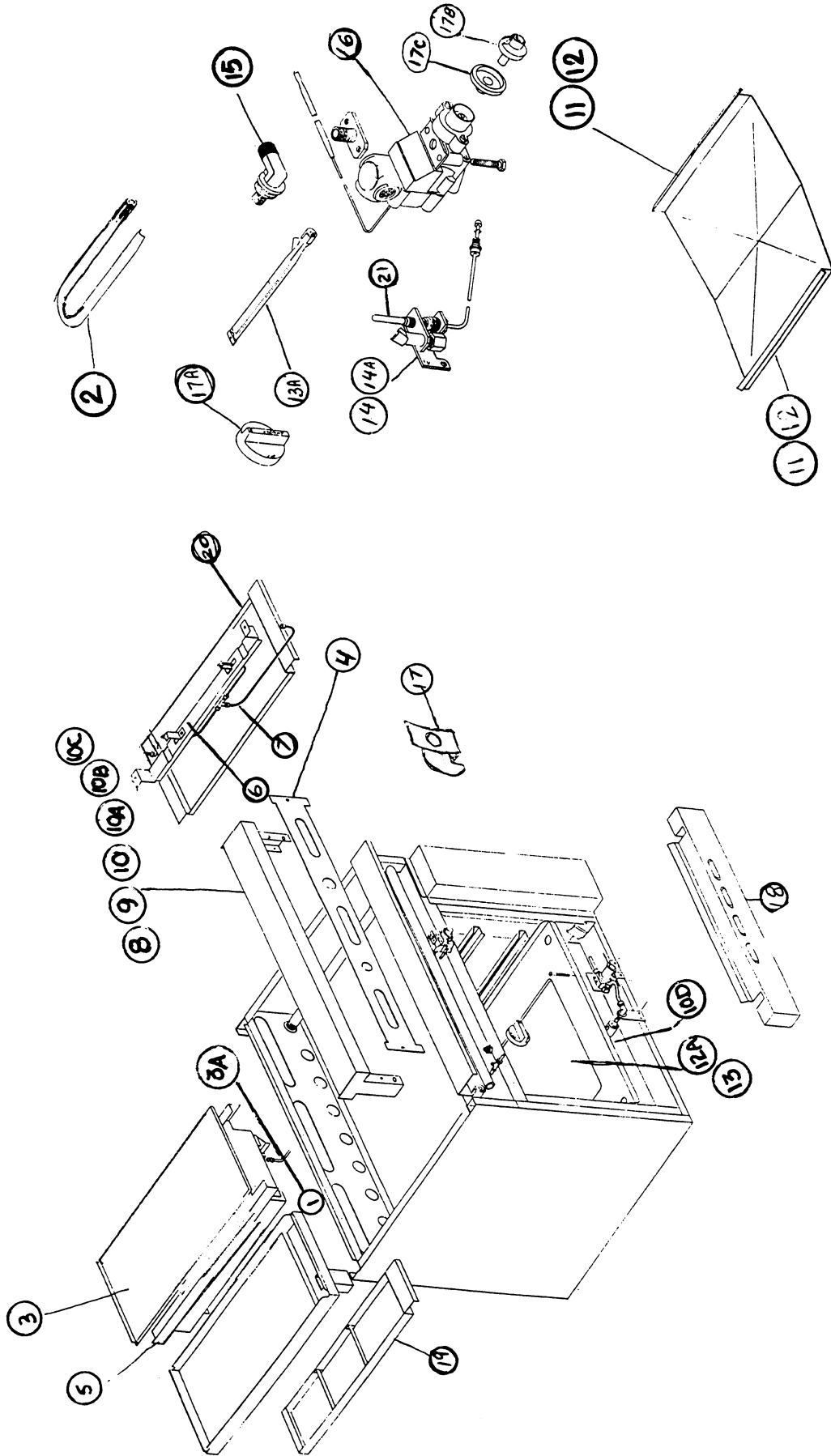


PERFORMER II
Char-Broiler RB-26 PMA/RB - 36 PMA

Item No	Part No	Description
1	222040	Top grate - 3 bar 3" x 21 1/4"
	222041	Top grate - 4 bar 3" x 21 1/4"
2	222024	Cast iron radiant
3	222079	Burner with support
	223005-6	Air shutter
4	282401-1	Fire box assy 24"
	282401-2	Fire box assy 36"
5	282032-203	Manifold assy (RB-24-PMA)
	282032-314-3	Manifold assy (RB-36-PMA)
	282032-314-1	Manifold assy (P-RB-36-26)
	282032-314-2	Manifold assy (P-RB-36-26 CP)
	227053	Burner valve w/o orifice
	223242-50	Burner orifice - NAT
	223242-57	Burner orifice - LP
	153844	Pilot valve / double
6	224271	Burner valve knob: Black - "ON/OFF"
7	282417-1	Pilot tubing assy - R/H
7A	282417-2	Pilot tubing assy - L/H
8	282408-1	Landing ledge assy 24"
	282408-2	Landing ledge assy 36"
9	282018-203	Valve cover - 24"
	282018-314	Valve cover - 36"
10	282412-1	Drip pan - 24"
	282412-2	Drip pan - 36"
11	282410-1	Stub back assy - Stainless steel - 24"
	282410-2	Stub back assy - Stainless steel - 36"

***Quantities vary depending on model number**
****Item not shown on drawing**

PERFORMER II
Restaurant Series
Serial Numbers Starting With "VY"



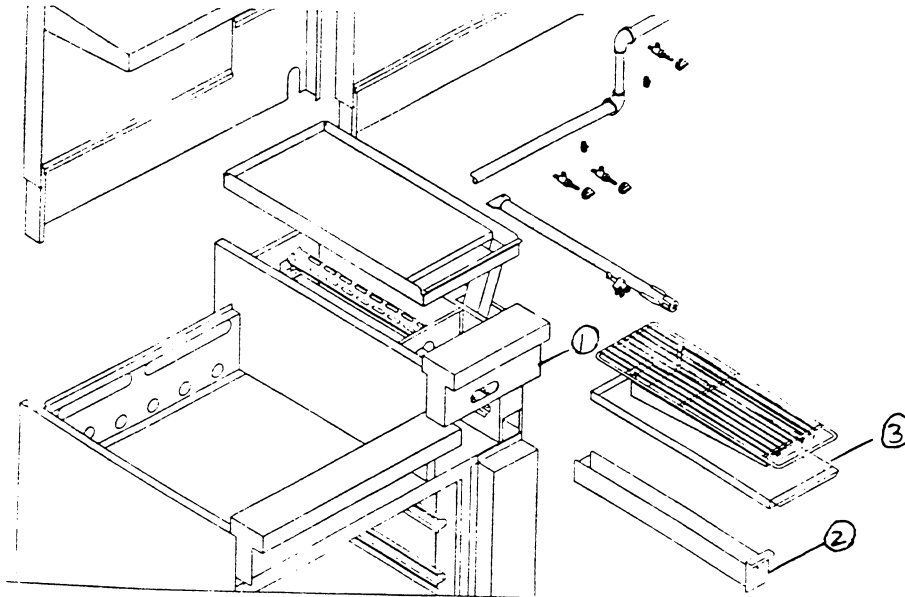
PERFORMER II
Restaurant Series
Serial Numbers Starting With "V"

Item No	Part No	Description
1	282616	Pilot tubing assy - 1 per burner - Griddle
2	222076	Burner - Griddle & Hot top
3	282754	Hot top plate assy - 12"
3A	282752	Pilot tubing assy - Hot top (1) Per section
4	Valve cover	Specify model & Serial number (Starting with V)
5	282753	Hot top frame assy - 12" inch
6	282623	Open burner hanger assy
7	282626	Open burner pilot tubing assy
8	282545-1	Landing ledge assy - 24" - Top
9	282545-2	Landing ledge assy - 36" - Top
10A	282545-3	Landing ledge assy - 48" - Top
10B	282545-4	Landing ledge assy - 60" - Top
10C	282545-5	Landing ledge assy - 72" - Top
10D	282680	Oven pilot access cover - 20" & 26" ovens
11	282575	Flame spreader - 20" oven
12	282565	Flame spreader - 26" oven
12A	282562	Oven bottom - Porcelain - 20" oven
13	282556	Oven botton - Porcelain - 26" oven
13A	282464	Oven burner with air shutter
14	227198	Oven pilot burner - NAT (mounted on R/S of burner)
14A	227198-1	Oven pilot burner - LP (mounted on R/S of burner)
15	223000-1	Orifice elbow - w/o orifice - Oven
16	227054	Thermostat - Oven / Griddle w/knob
17	225264	Capillary bulb holder - Oven
17A	X224274-3	Knob (RED) "ON/OFF" - Griddle
17B	224266	Dial - Griddle TST
17C	228111	Bezel / TST - Oven / Griddle
18	282566-1	Kick plate - S/S - 20" oven
	282566-2	Kick plate - S/S - 26" oven
	282569-1	Kick plate - BLK - 20" oven
	282569-2	Kick plate - BLK - 26" oven
19	282635	Grease can assy - Griddle
20	282636-1	Drip pan - open top - 12"
	282636-2	Drip pan - open top - 24"
	282636-3	Drip pan - open top - 36"
21	227122	Thermocouple

NOTE: For all other parts, refer to pages 2 - 13

PERFORMER II
Broiler Griddle 12" - 24"
Serial Numbers Starting With "V"

Item No	Part No	Description
1	282491-100-1	Valve cover - R/H - 12"
	282491-100-2	Valve cover - L/H - 12"
	282491-101-1	Valve cover - R/H - 24"
	282491-101-2	Valve cover - L/H - 24"
2	282446	Grease catcher - 12"
	282446-1	Grease catcher - 24"
3	282684-1	Drip pan - 12"
	282684-2	Drip pan - 24"

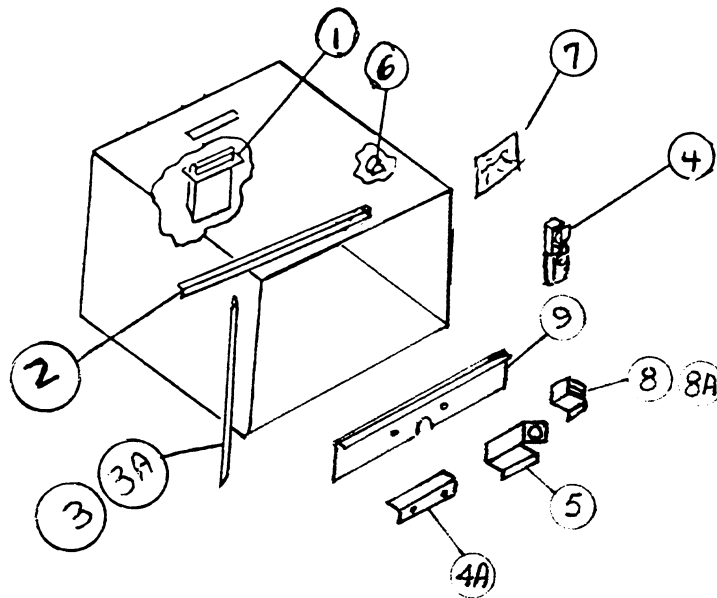


NOTE: For all other parts, refer to pages 2 - 13

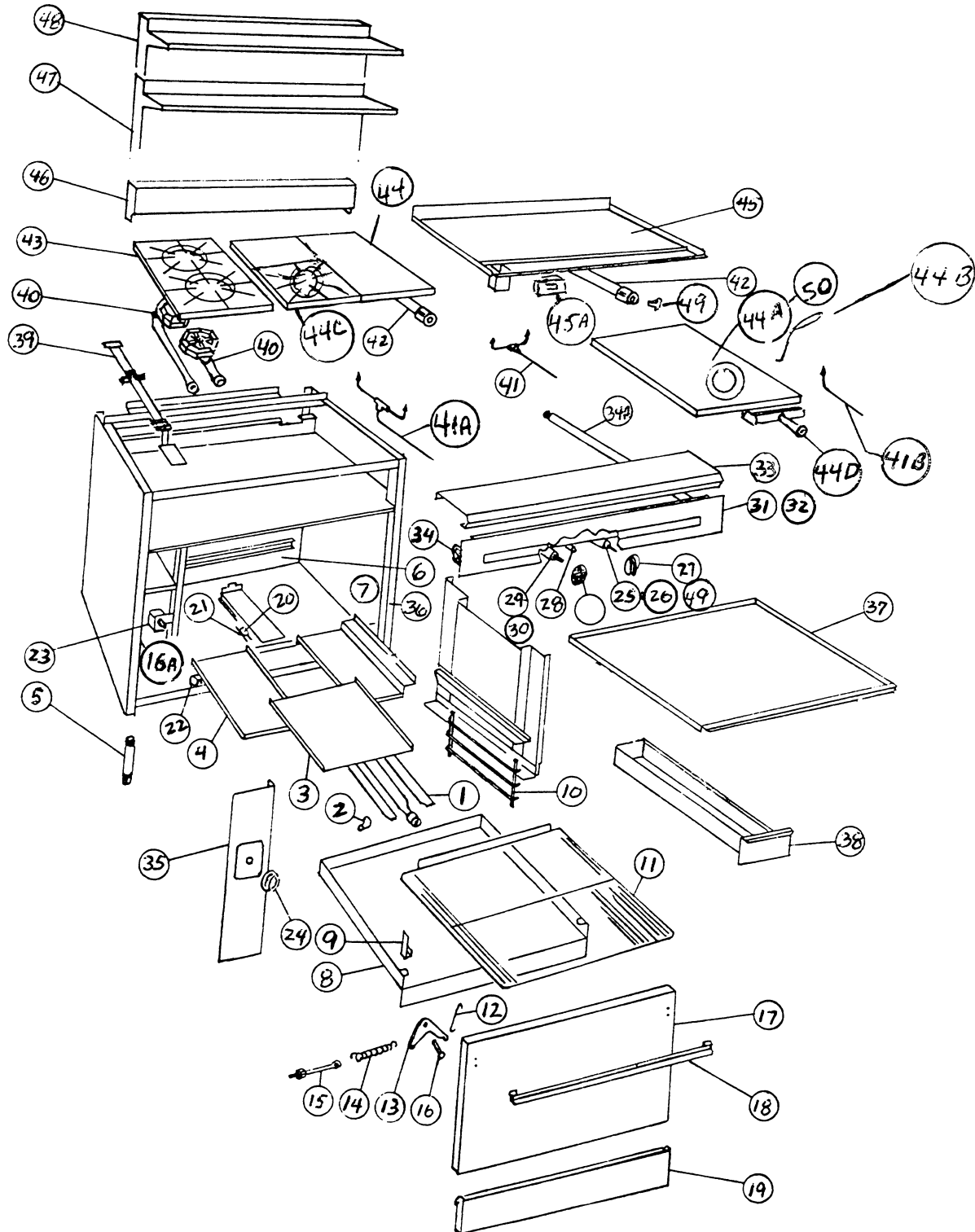
PERFORMER II
Restaurant Series Convection Oven
Serial Numbers Starting With "V"

Item No	Part No	Description
1	282663	Flue assy
2	282674	Door gasket - Top
3	282673-1	Door gasket / side - L/H
3A	282673-2	Door gasket / side - R/H
4	227119	Solenoid valve
4A	282661	Solenoid valve bracket
5	282662	Spark module bracket
6	225264	Capillary bulb holder
7	229138	Wiring diagram - 48" - 36" - 60" - 72"
8	282676-1	Door switch bracket - L/H - 36" & 72" units only
8A	282676-2	Door switch bracket - R/H - 36" & 72" units only
9	282659	Front baffle

NOTE: For all other parts, refer to pages 2 - 13



836 CUISINE SERIES Heavy Duty Range Combination



836 CUISINE SERIES Heavy Duty Range Combination

Item No	Part No	Description
1	252336-5	Oven burner
2	223000-1	Orifice elbow - 90 w/o orifice
	223242-34	Burner orifice - Oven - NAT
	223242-50	Burner orifice - Oven - LP
3	261480	Flame spreader
4	251465-1	Oven aeration pan - R/H
4A	251466	Oven aeration pan - L/H
5	223265	Adjustable leg - 1 1/4" x 6"
	223257	Casters w/o brake - (optional)
	223258	Casters w/brake - (optional)
6	251473	Oven liner back - Porc.
7	251471-1	Oven liner / side R/H - Porc.
	251471-2	Oven liner / side L/H - Porc.
8	251479	Oven bottom pan assy - Porc.
9	252097	Hold down tab / For oven bottom pan
10	226016-1	Oven rack support - R/H
	226016-2	Oven rack support - L/H
11	226017	Oven rack - 26 3/4" x 24 5/8"
12	224009	Oven door linkage
*	251022	Oven door rocker arm support
13	224012	Rocker arm
14	224004	Oven door closure spring
15	225003	Oven door eye bolt
16	225021	Oven door clevis pin
16A	262075	Oven door pin bearing plate
17	251515	Oven door w/handle - BLK - 27 3/8" X 16 15/16"
	251515-s	Oven door w/handle - S/S - 27 3/8" x 16 15/16"
	251514	Oven door frame assy
	251112-1	Oven door liner - Porc.
18	251105-1	Oven door handle
19	261464	Front kick plate - BLK - 4 1/2" X 27 1/4"
	261465	Front kick plate - S/S - 4 1/2" x 27 1/4"
20	227016	Oven pilot burner
	223181	Oven pilot burner orifice - NAT
	223182	Oven pilot burner orifice - LP

***Quantities vary depending on model number**
****Item not shown on drawing**

836 CUISINE SERIES Heavy Duty Range Combination

Item No	Part No	Description
21	227002	Thermocouple
22	227071	Oven safety pilot valve - Baso type
	282534	Safety pilot valve bracket
	225065	Bolt for bracket - 10 - 24 x 2 1/4"
	225066	Hex nut for bracket - 10 - 24
23	227020	Oven Thermostat w/saddle mount
24	224023	Dial - Oven Thermostat
25	227053	Open top burner valve - w/o orifice
	223242-46	Burner orifice - NAT - open top
	223242-56	Burner orifice - LP - open top
26	227053	Burner valve w/o orifice / 18" hot top - 18" French top
	223078	Adapter (use w/227053) 18" hot top / 18" French top
27	224002	Burner valve knob - Top burner / Hot top / French top
28	227199	Pilot valve - Adj./single - (Use accross the board)
	228170	Pilot valve tee
29	227005	Oven manual shut-off valve
30	224003	Oven manual shut-off valve knob
31	251650-1S	Valve cover - 36" - S/S - 836 - All models
	251650-2S	Valve cover - 18" - S/S - 836 - All models
	251650-3S	Valve cover - 24" - S/S - 836 - All models
	251650-4S	Valve cover - 12" - S/S - 836 - All models
	251650-1	Valve cover - 36" - BLK - 836 - All models
	251650-2	Valve cover - 18" - BLK - 836 - All models
	251650-3	Valve cover - 24" - BLK - 836 - All models
	251650-4	Valve cover - 12" - BLK - 836 - All models
32	251623-2	Valve cover - 12" - Blk - Spreader models
	251623-3	Valve cover - 18" - BLK - Spreader models
	251623-4	Valve cover - 24" - BLK - Spreader models
	251623-5	Valve cover - 36" - BLK - Spreader models
	251623-2S	Valve cover - 12" - S/S - Spreader models
	251623-3S	Valve cover - 18" - S/S - Spreader models
	251623-4S	Valve cover - 24" - S/S - Spreader models
	251623-5S	Valve cover - 36" - S/S - Spreader models

***Quantities vary depending on model number**
****Item not shown on drawing**

836 CUISINE SERIES Heavy Duty Range Combination

Item No	Part No	Description
33	251542-1	Landing ledge (836 - 1)
	251542-2	Landing ledge (1836 - 1)
	251543-1	Landing ledge (836 - 6 thru - 16)
	251543-2	Landing ledge (1836 - 7, 9, 16)
	251662-01	Landing ledge (836 - 2 , 836 - 3)
	251662-02	Landing ledge (836 - 19)
	251662-03	Landing ledge (836 - 4 , 836 - 5)
	251621-1S	Landing ledge end cap, R/H, S/S
	251621-2S	Landing ledge end cap, L/H, S/S
	223115	Manifold pipe cap - 1 1/4"
34	Manifold assy	Specify model and Serial number
34A	223031-3	Intake pipe (836 - 0836) Optional
	223031-8	Intake pipe (841 - 0841) Optional
35	251539-1S	Control cover - Griddle - S/S
	251539-1	Control cover - Griddle - BLK
	251539-2S	Control cover - S/S - All other models
	251530-2	Control cover - Black - All other models
36	251531	Side trim
37	251599-1	Drip pan - 6 open burners
	251599-2	Drip pan - 4 open burners, combination
	251599-3	Drip pan - 2 open burners, combination
	251648-1	Drip pan - 12" Add - A - Unit
	251648-2	Drip pan - 18" Add - A - Unit
	251648-3	Drip pan - 24" Add - A - Unit
38	251547-1	Griddle grease can assy, L/H drain, BLK
	251547-2	Griddle grease can assy, L/H drain, S/S
	251782	Griddle grease can assy, 0836 / 0841 models
**	SPECIAL*	Griddle grease can assy - R/H drain
39	261483	Open burner hanger

***Quantities vary depending on model number**
****Item not shown on drawing**

836 CUISINE SERIES Heavy Duty Range Combination

Item No	Part No	Description	
40	261420-1	Open burner assy - Front - complete	
	261420-2	Open burner assy - Rear - complete	
	222162	Open burner head only	
	222144	Open burner venturi - Front - Stainless steel	
	222145	Open burner venturi - Rear - Stainless steel	
	224005-1	Gasket burner head - Front/Rear (Steel venturi only)	
	*	224005	Gasket burner head - Front/Rear (Cast iron Venturi only)
		225233	Bolt - Burner head to venturi
		223005	Air shutter (Cast iron venturi only)
41	253133-3	Pilot tubing assy - Griddle / Hot top	
41A	253062-3	Pilot tubing assy - Open burner	
41B	253133-4	Pilot tubing assy - French top	
42	222058	Tube burner S/S - Griddle / 12" Hot top	
43	222062	Open burner top grate - 12" wide	
	222063	Open burner top grate - 18" wide	
44	222141	Hot top plate - 12" x 26"	
	222139	Hot top plate - 18" x 26"	
44 A	222140	French top plate - 18" wide, w/Ring & Lid	
44 B	251619	Handle - French top plate	
44 C	222064	Plate assy - Hot top-open burner comb. - 18" wide	
	222068	Plate assy - Hot top-open burner comb. - 12" wide	
44 D	251450	Airplane burner assy - 18" hot top / 18" French top	
	*	223003-4	Air shutter (Airplane burner) Hot top / French top
45	Griddle plate	Specify model number	
45A	227000	Thermostat - Griddle - "BJ type" (2-hole)	
	227000-1	Thermostat - Griddle - "BJ Type" (3-hole)	
	224179	Dial - Thermostat - Griddle	
	228112	Bezel - Thermostat- Griddle	
	225135	Fastener - 10" - 24" x 1"	
46	Stub back assy	Specify model number - S/S or BLK	
47	Hi-Shelf assy	Specify model number - S/S or BLK	
48	Hi-Shelf/DbL.	Specify model number - S/S or BLK	

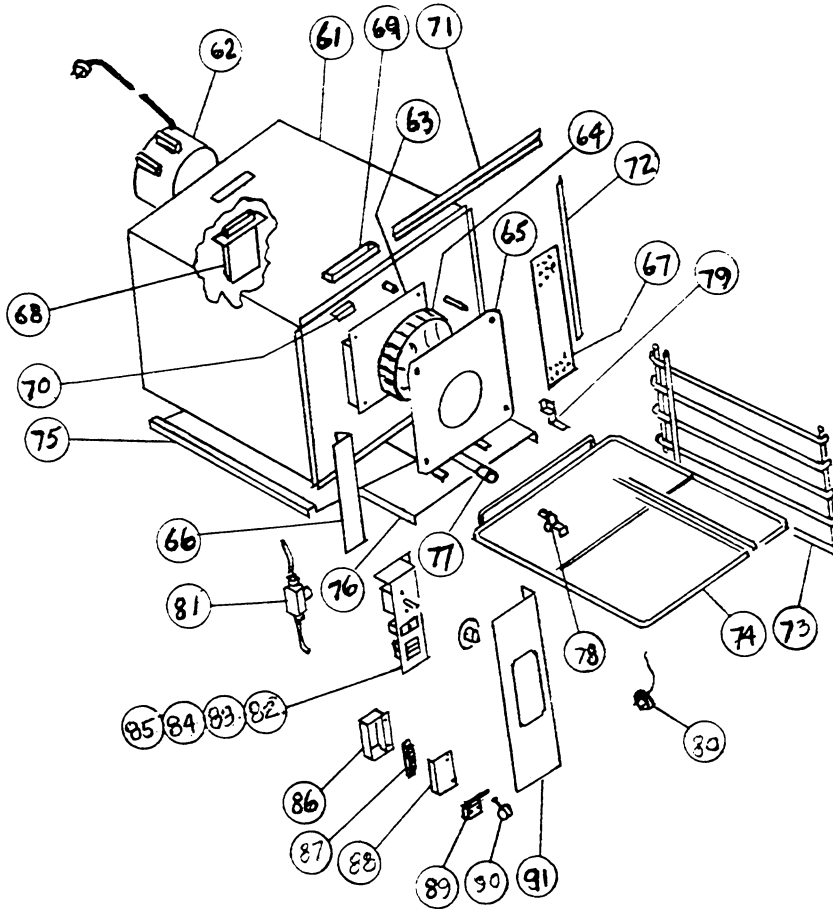
***Quantities vary depending on model number**
****Item not shown on drawing**

836 CUISINE SERIES Heavy Duty Range Combination

Item No	Part No	Description
**	228052-9	Pressure regulator - 1 1/4" - NAT
	228052-12	Pressure regulator - 1 1/4" - LP
	228052-13	Pressure regulator - 3/4" - NAT
	228052-14	Pressure regulator - 3/4" - LP
49	223242-48	Burner orifice - NAT - 12" Hot top
	223242-56	Burner orifice - LP - 12" Hot top
	223242-38	Burner orifice - NAT - 18" Hot top / French top
	223242-52	Burner orifice - LP - 18" Hot top / French top
50	222140-1	Lid / French top
	222140-2	Ring / French top
	222140-3	Casting only - French top - 18" w/o ring/lid

****Item not shown on drawing**

836 CUISINE SERIES Convection Oven



Item No	Part No	Description
61	261530-1	Oven tank assy
62	228129	Motor: 1/4 HP
63	261539	Mounting pad assy (Motor)
	261590-2	Spacer/outside (Fan guard)
	225213	Bolt: 1/4" - 20" x 2 1/4"
	225053-1	Nut - Hex: 1/4" - 20" x 1/2"
64	228130	Blower wheel/fan
65	261543-1	Blower cover
66	261570-1	Baffle assy: L/H
67	261569-1	Baffle assy: R/H
68	261545-1	Flue spout assy - Oven
69	261549-1	Flue intake tube assy
70	259039	Capillary bulb holder

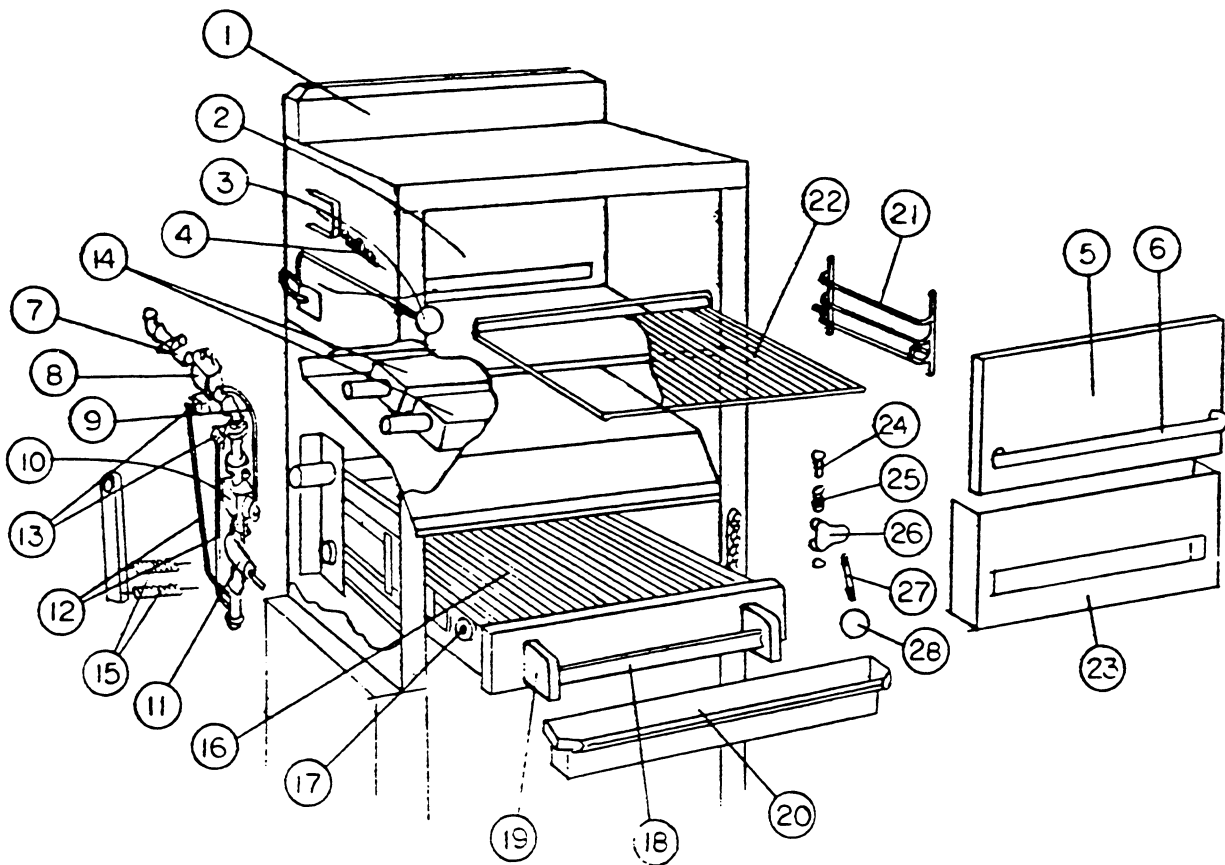
836 CUISINE SERIES Convection Oven

Item No	Part No	Description
71	252817-1	Door gasket: Top
	252817-2	Door gasket: Bottom
72	252819-1	Door gasket - Side: R/H
	252819-2	Door gasket - Side: L/H
73	226018	Oven rack support
74	226019	Oven rack - 18" x 25 7/8"
75	261534	Flame deflector
76	261563	Burner deck assy
77	261585	Burner assembly
78	261567	Orifice holder
	223000-1	Elbow fitting - 90 degree
	223242-37	Burner orifice - NAT
	223242-52	Burner orifice - LP
79	261558	Pilot bracket assy
80	227027-1	Flame switch - Manual
	259127	Flame switch bracket
81	227029-1	Solenoid valve - Pilot
	261577	Burner solenoid assy
	221035-023	Aluminum tubing - Burner valve to solenoid
	221035-033	Aluminum tubing - Solenoid to orifice
	221034-070	Aluminum tubing - Pilot valve to pilot burner
82	261555	Control bracket
83	227025	Thermostat "KX" type
	224065	Dial - Thermostat
84	228006-1	Fan switch "COOL DOWN"
85	228007-1	Indicator light (Red)
	228007-2	Indicator light (Amber)
86	261556	Terminal box
87	228000	Terminal block
88	261557	Terminal box cover
89	227034	Microswitch/Door switch
90	252876	Switch cam assy
91	261573-1	Face plate assy (Fry Top)
	261573-2	Face plate assy (STD)

U.S. CUISINE

1100 Series

Infrared Broiler



U.S. CUISINE 1100 Series

Item No	Part No	Description
1	261790	Flue extender assy
2	261862	Holding oven damper
3	224019	Damper knob-holding oven
4	224004	Holding oven door closure spring
5	261904	Holding oven door
6	251105-2	Handle - Holding oven door
7	227065	Manual shut-off valve
8	228052-13	Pressure regulator - 3/4" NAT 5" WC
	228052-14	Pressure regulator - 3/4" Propane 10" WC
9	221036	Pilot tubing assy (to safety valve)
10	227120	Pilot safety valve
11	227032	Burner valve - "ON/OFF"
	224015	Burner valve knob - BLACK
12	221035-15	Gas tubing to main burner - Front
	221035-24	Gas tubing to main burner - Rear
13	227097	Elbow / Burner orifice
	227059-38	Burner orifice - front - NAT
	227059-50	Burner orifice - front - LP
	227059-42	Burner orifice - rear - NAT
	227059-52	Burner orifice - rear - LP
14	222107	Infrared burner - 6 3/4" x 24 3/8"
15	224004	Counterspring for broiler rack ass'y
16	222035	Broiler grates - 6" x 24"
17	224057	Broiler carriage wheel
18	261813	Broiler drawer handle only
19	222083	Broiler drawer handle end - R/H or L/H
20	261890	Upper grease trough - 1100 series only
	261748	Lower grease can (Model 2100 only)
21	226016-1	Holding oven rack support - R/H
	226016-2	Holding oven rack support - L/H
22	226049	Holding oven wire rack - 20 1/4" x 25 5/8"
23	261740	Burner chamber cover plate

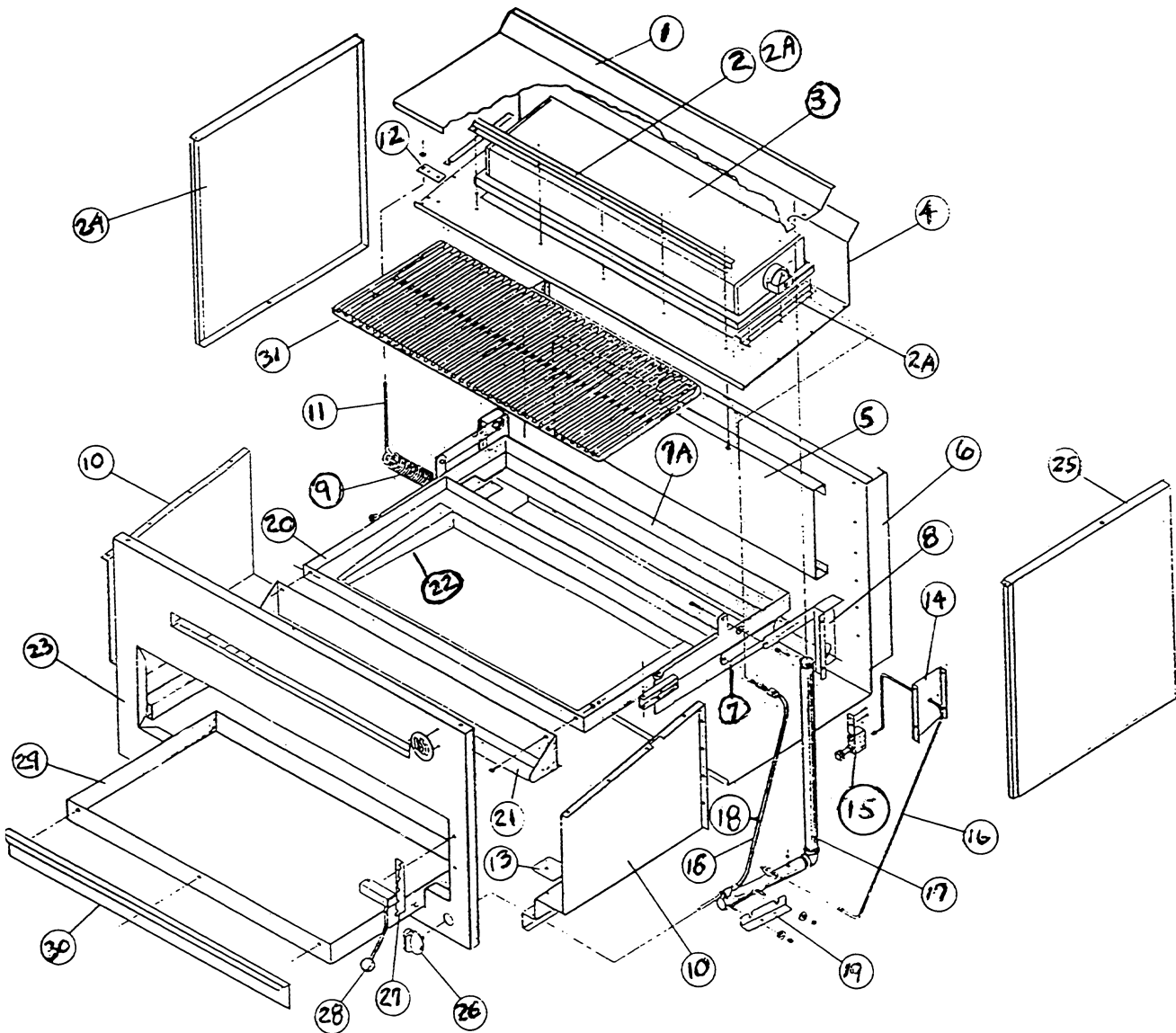
***Quantities vary depending on model number**
****Item not shown on drawing**
Note: For models 1102 & 1103 (with oven below)
See "CUISINE Series" for oven parts.

U.S. CUISINE 1100 Series

Item No	Part No	Description
24	225037	Drawer latch keeper pin
25	224010	Handle spring
26	224006	Handle
27	224018	Handle rod
28	224019	Handle knob
**	227041	Pilot burner - NAT
**	223182	Pilot orifice - LP
**	261807	Trailer pilot assy
**	261802	Burner radiant baffle
**	261751	Drip pan
**	261780-1	Control cover for double broiler - top
**	261780-2	Cover for double broiler, btm and cover for single broiler without holding oven.
**	261887	Cover for single broiler with holding oven
**	224013-1	Grid lock
**	227122	Thermocouple
**	261759	Carriage assy
**	261760	Grid assy
**	261761	Grid frame assy

***Quantities vary depending on model number**
****Item not shown on drawing**
Note: For models 1102 & 1103 (with oven below)
See "CUISINE Series" for oven parts.

SALAMANDER BROILER BS-R, BS-W, BS-C



SALAMANDER BROILER BS-R, BS-W, BS-C

Item No	Part No	Description
1	261272	Outer top cover
2	261279	Burner hold down - front
2A	261280	Burner hold down - side
3	222150	Infrared burner - 27 1/2" x 8 3/4"
	223270	Orifice elbow - 1/8" x 3/8"
	227176-40	Burner orifice - NAT
	227176-53	Burner orifice - LP
4	261212	Inner top cover
5	261214	Back flue support
6	261206	Panel - Back and bottom
7	261245	Lift mechanism assy
7A	261222	Carriage assy
8	261247	Lifting mechanism support assy - R/H
	261248	Lifting mechanism support assy - L/H
9	224004	Closure spring
10	261208	Inside panel - R/H
	261209	Inside panel - L/H
11	225155	Eye bolt - 1/4" - 20" X 6"
12	261277	Spring bracket
13	261213	Drip pan support
14	261210	Flue end cover - R/H
	261211	Flue end cover - L/H
15	227041-1	Pilot burner
	261278	Pilot bracket
	223180	Pilot burner orifice - NAT
	223182	Pilot burner orifice - LP
16	261291	Pilot tubing assy
17	261260	Manifold pipe assy
	227005	Burner valve - "ON/OFF"
	227199	Pilot valve / Single (adjustable)
18	221035-15	Burner tubing assy
19	261292	Manifold bracket

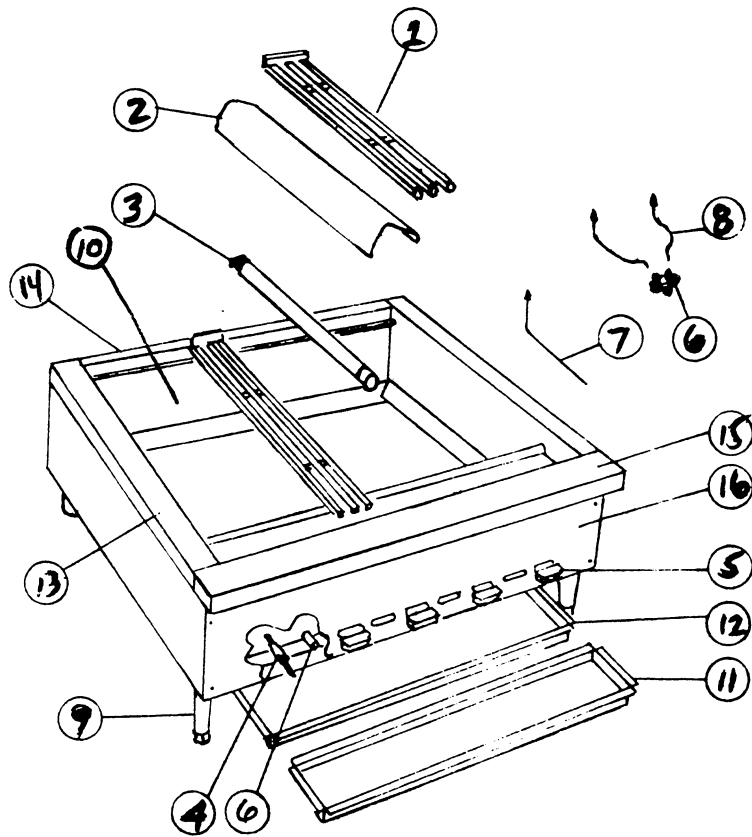
***Quantities vary depending on model number**
****Item not shown on drawing**

SALAMANDER BROILER BS-R, BS-W, BS-C

Item No	Part No	Description
20	261235	Grid tray assy - complete
	224226	1" Bearing
	225051	Bolts - 1/4" - 20" x 1/2"
	225153	Shoulder screw - 1/2" x 3/4"
	224057	Wheel bearing - 1/2"
	225219	Spacer / Bushing - 1/8" x 33/64" x 11/16"
	225030	Hex nut - 3/8" x 16"
21	261219	Handle assy
22	261282	Drip tray
23	261273	Front cover
24	261271	End panel - L/H
25	261270	End panel - R/H
26	224008	Knob - Chrome metal
27	261281-1	Latch bracket
28	261274-1	Latch handle assy
	224241	Spring
	225246	Bolt - 1/4" - 10" x 2"
	228121	Crown nut - 1/4" - 20" x 7/16"
	225054	Washer - 1/4" x 3/4" x 1/16"
	224227	Knob - Black
29	261215	Drip pan assy
	261216	Drip pan
30	261217	Handle drip pan
31	226053	Wire grate 14" x 18"
**	223232	Adjustable legs
	261295	Wall mounting angle - 36"
	253370-2	Wall mounting bracket - 36"
	228246-1	Pressure regulator - 1/2" NAT
	228246-2	Pressure regulator - 1/2" LP

*Quantities vary depending on model number
 **Item not shown on drawing

U.S. REGAL
RBA Series Char - Broiler



U.S. REGAL RBA Series Char - Broiler

Item No	Part No	Description	QTY/REQ'D							
			24"	30"	36"	42"	48"	60"	72"	84"
1	222040	Top grate, 3 bar reversible - 3" x 21 1/4"	7	9	11	13	15	19	23	27
	222041	Top grate, 4 bar reversible - 3" x 21 1/4"	7	9	11	13	15	19	23	27
2	222024	Cast iron radiant - 19 5/8" x 3 9/16"	4	5	6	7	8	10	12	14
3	222079	Tubular burner w/radiant support	4	5	6	7	8	10	12	14
	222079-1	Tubular burner only	OPTIONAL							
	223005-6	Air shutter	4	5	6	7	8	10	12	14
4	227053	Burner valve, w/o orifice	4	5	6	7	8	10	12	14
	223242-50	Burner orifice, NAT	4	5	6	7	8	10	12	14
	223242-57	Burner orifice, LP	4	5	6	7	8	10	12	14
5	224015	Burner valve knob - BLK	4	5	6	7	8	10	12	14
6	227199	Pilot valve - Single (adjustable)	3	4	5	6	6	8	10	12
	153844	Pilot tee	1	1	1	1	2	2	2	2
7	253133	Pilot tubing assy, single	2	3	4	5	4	5	8	10
8	282417-1	Pilot tubing assy, R/H, double	1	1	1	1	1	1	1	1
	282417-2	Pilot tubing assy, L/H, double	1	1	1	1	1	1	1	1
9	223232	Adj. legs (each), steel, after 7/15/82	4	4	4	4	4	4	4	4
10	253009-24	Fire box assy - 24"	1							
	253009-30	Fire box assy - 30"		1						
	253009-36	Fire box assy - 36"			1					
	253009-42	Fire box assy - 42"				1				
	253009-48	Fire box assy - 48"					1			
	253009-60	Fire box assy - 60"						1		
	253009-72	Fire box assy - 72"							1	
	253009-84	Fire box assy - 84"								1
11	253020-1	Drip pan, front, 6" x 20 1/2"	1							
	253020-2	Drip pan, front, 6" x 26 1/2"		1				2		
	253020-3	Drip pan, front, 6" x 32 1/2"			1				2	
	253020-4	Drip pan, front, 6" x 38 1/2"				1				2
	253020-5	Drip pan, front, 6" x 44 1/2"					1			
12	253020-6	Drip pan, rear, 20" x 20 1/2"	1							
	253020-7	Drip pan, rear, 20" x 26 1/2"		1				2		
	253020-8	Drip pan, rear, 20" x 32 1/2"			1				2	
	253020-9	Drip pan, rear, 20" x 38 1/2"				1				2
	253020-10	Drip pan, rear, 20" x 44 1/2"					1			

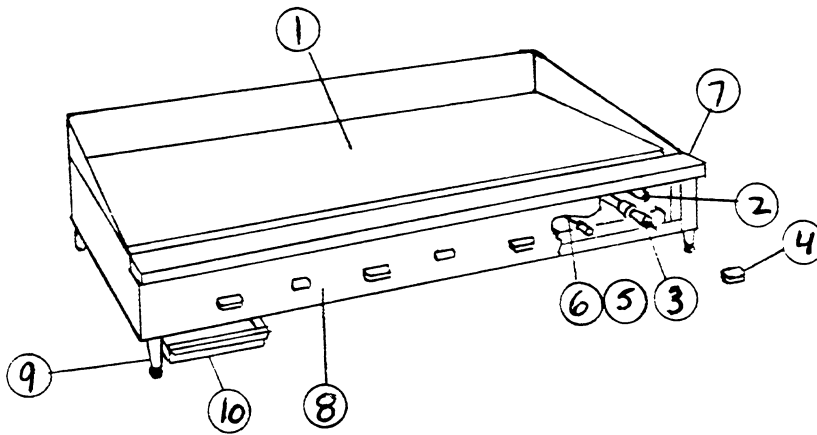
U.S. REGAL RBA Series Char - Broiler

Item No	Part No	Description	QTY/REQ'D							
			24"	30"	36"	42"	48"	60"	72"	84"
13	253015	Side trim	2	2	2	2	2	2	2	2
14	253014-1	Back trim - 24"	1							
	253014-2	Back trim - 30"		1						
	253014-3	Back trim - 36"			1					
	253014-4	Back trim - 42"				1				
	253014-5	Back trim - 48"					1			
	253014-6	Back trim - 60"						1		
	253014-7	Back trim - 72"							1	
	253014-8	Back trim - 84"								1
15	253013-1	Front top trim - 24"	1							
	253013-2	Front top trim - 30"		1						
	253013-3	Front top trim - 36"			1					
	253013-4	Front top trim - 42"				1				
	253013-5	Front top trim - 48"					1			
	253013-6	Front top trim - 60"						1		
	253013-7	Front top trim - 72"							1	
	253013-8	Front top trim - 84"								1
16	253022-1	Valve cover - 24"	1							
	253022-2	Valve cover - 30"		1						
	253022-3	Valve cover - 36"			1					
	253022-4	Valve cover - 42"				1				
	253022-5	Valve cover - 48"					1			
	253022-6	Valve cover - 60"						1		
	253022-7	Valve cover - 72"							1	
	253022-8	Valve cover - 84"								1
**	228052-13	Pressure regulator - 3/4" NAT	1	1	1	1	1	1	1	1
	228052-14	Pressure regulator - 3/4" LP	OPTIONAL							

****Item not shown on drawing**

U.S. REGAL
Counter Griddles

Manually Controlled
RGM Series



U.S. REGAL RGM Series - Griddle

Item No	Part No	Description	Manually Controlled RGM Series														
			1824-3/4	1830-3/4	1836-3/4	1824-1	1830-1	1836-1	2424-3/4	2436-3/4	2448-3/4	2424-1	2436-1	2448-1	2460-1	2472-1	2484-1
1	253052-X	Griddle plate assy - See pg. 39															
2	252336-3	Burner assy - 17 13/16"	2	2	3	2	2	3									
	252336	Burner assy - 24 3/4"							2	3	4	1	3	4	5	6	7
	223005-2	Air shutter	2	2	3	2	2	3	2	3	4	14	3	4	5	6	7
	225072	Adj. locking srew - 10" x 1/2"	2	2	3	2	2	3	2	3	4	14	3	4	5	6	7
3	227053	Burner valve w/o orifice	2	2	3	2	2	3	2	3	4	14	3	4	5	6	7
	223242-40	Griddle burner orifice - NAT	2	2	3	2	2	3									
	223242-44	Griddle burner orifice - NAT							2	3	4	2	3	4	5	6	7
	223242-53	Griddle burner orifice - LP	2	2	3	2	2	3									
	223242-54	Griddle burner orifice - LP							2	3	4	2	3	4	5	6	7
4	224015	Burner valve knob - BLK	2	2	3	2	2	3	2	3	4	2	3	4	5	6	7
5	227199	Pilot valve - Adjustable	2	2	3	2	2	3	2	3	4	2	3	4	5	6	7
6	253133-8	Pilot tubing assy - single			1			1		1			1		1		1
	252133-9R	Pilot tubing assy - double - R/H	1	1	1	1	1	1	1	1	1	1	1	2	2	3	3
	253133-9L	Pilot tubing assy - double - L/H	1	1	1	1	1	1	1	1	2	1	1	2	2	3	3
7	253037-1	Front top trim - 24"	1			1			1			1					
	253037-8	Front top trim - 30"		1			1										
	253037-2	Front top trim - 36"			1			1		1			1				
	253037-3	Front top trim - 48"									1			1			
	253037-4	Front top trim - 60"													1		
	253037-5	Front top trim - 72"														1	
	253037-6	Front top trim - 84"															1
8	253051-2	Valve cover - 24"	1			1			1			1					
	253051-3	Valve cover - 30"		1			1										
	253051-4	Valve cover - 36"			1			1		1			1				
	253051-5	Valve cover - 48"									1			1			
	253051-6	Valve cover - 60"													1		
	253051-7	Valve cover - 72"														1	
	253051-8	Valve cover - 84"															1
9	223232	Legs - Adjustable	4	4	4	4	4	4	4	4	4	4	4	4	4	4	4
10	253046	Grease can	1	1	1	1	1	1	1	1	1	1	1	1	1	1	1
**	228052-13	Pressure regulator - 3/4" NAT	1	1	1	1	1	1	1	1	1	1	1	1	1	1	1
	228052-14	Pressure regulator - 3/4" LP	OPTIONAL														

**Item not shown on drawing

U.S. REGAL RGM Series XXX - 2 - Manually Controlled

Item No	Part No	Description	Manually Controlled In combination with open burner pairs														
			1824-3/4-2	1830-3/4-2	1836-3/4-2	1824-1-2	1830-1-2	1836-1-2	2424-3/4-2	2436-3/4-2	2448-3/4-2	2424-1-2	2436-1-2	2448-1-2	2460-1-2	2472-1-2	2484-1-2
1	253052-X	Griddle plate assy - See pg. 39															
2	222032	"S" Grate - 12" x 18" painted	1	1	1	1	1	1									
	222032-1	"S" Grate - 12" x 18" porc.	OPTIONAL														
	222033	"S" Grate - 12" X 24" painted											OPTIONAL				
	222033-1	"S" Grate - 12" x 24" Porc.															
	222082	Open burner grate 12" x 24" painted							1	1	1	1	1	1	1	1	1
	222082-1	Open burner grate - 12" x 24" Porc.										OPTIONAL					
3	252336-3	Griddle burner - 17 13/16"	2	2	3	2	2	3									
	252336	Griddle burner - 24 3/4"							2	3	4	2	3	4	5	6	7
	223005-4	Air shutter	2	2	3	2	2	3	2	3	4	2	3	4	5	6	7
	225072	Adj. Locking screw, 10 - 1/2"	2	2	3	2	2	3	2	3	4	2	3	4	5	6	7
4	282554	Open burner - Front - complete	1	1	1	1	1	1	1	1	1	1	1	1	1	1	1
	222171	Venturi - Front - w/Air shutter - Steel	1	1	1	1	1	1	1	1	1	1	1	1	1	1	1
5	282555	Open burner - Rear - complete	1	1	1	1	1	1	1	1	1	1	1	1	1	1	1
	222172	Venturi - Rear - w/Air shutter - Steel	1	1	1	1	1	1	1	1	1	1	1	1	1	1	1
	223005	Air shutter - (Cast iron venturi only)	COMMON TO ALL BURNERS														
	225004	Adj. locking screw															
	222162	Open burner - head only - front or rear															
	224005	Gasket (Cast iron venturi only)															
	224005-1	Gasket (Steel venturi only)															
225107	Burner / Venturi conn. bolt																
6	272051	Burner hanger															
7	227053	Burner valve - w/o orifice	4	4	5	4	4	5	4	5	6	4	5	6	7	8	9
	223242-40	Burner orifice - Griddle - NAT	2	2	3	2	2	3									
	223242-53	Burner orifice - Griddle - LP	2	2	3	2	2	3									
	223242-44	Burner orifice - Griddle - NAT							2	3	4	2	3	4	5	6	7
	223232-54	Burner orifice - Griddle - LP							2	3	4	2	3	4	5	6	7
	223242-46	Burner orifice - open burner - NAT	2	2	2	2	2	2	2	2	2	2	2	2	2	2	2
	223242-56	Burner orifice - open burner - LP	2	2	2	2	2	2	2	2	2	2	2	2	2	2	2
8	224015	Burner valve knob	4	4	5	4	4	5	4	5	6	4	5	6	7	8	9
9	227199	Pilot Valve - Adjustable	3	3	4	3	3	4	3	4	5	3	4	5	6	7	8

U.S. REGAL Counter Griddles

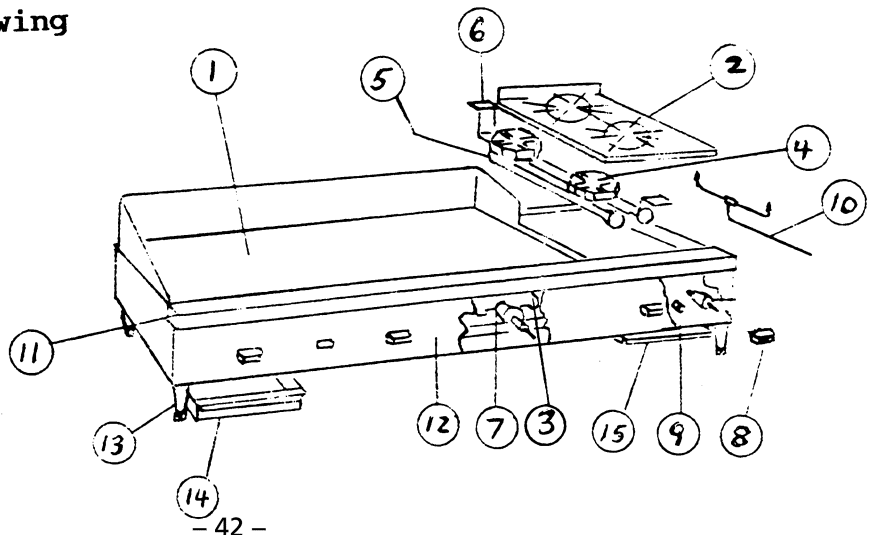
First two digits of model number designate front-to-back depth:
Second two digits show left-to-right width
First suffix is the thickness of griddle plate
Second suffix (when used) denotes two open burners in combination with griddle.

U.S. REGAL

RGM Series XXX - 2 - Manually Controlled

Item No	Part No	Description	Manually Controlled In combination with open burner pairs														
			1824-3/4-2	1830-3/4-2	1836-3/4-2	1824-1-2	1830-1-2	1836-1-2	2424-3/4-2	2436-3/4-2	2448-3/4-2	2424-1-2	2436-1-2	2448-1-2	2460-1-2	2472-1-2	2484-1-2
10	253062-4	Pilot tubing assy - open burner	1	1	1	1	1										
	253062-2	Pilot tubing assy - open burner							1	1	1	1	1	1	1	1	1
	253133-8	Pilot tubing assy - single			1			1		1			1		1		1
	253133-9R	Pilot tubing assy - double - R/H	1	1	1	1	1	1	1	1	2	1	1	2	2	3	3
	253133-9L	Pilot tubing assy - double - L/H	1	1	1	1	1	1	1	1	2	1	1	2	2	3	3
11	253037-2	Front top trim - 36"	1			1			1			1					
	253037-10	Front top trim - 42"		1			1										
	253037-3	Front top trim - 48"			1			1		1			1				
	253037-4	Front top trim - 60"									1			1			
	253037-5	Front top trim - 72"													1		
	253037-6	Front top trim - 84"														1	
	253037-9	Front top trim - 96"															1
12	253051-4	Valve cover - 36"	1														
	253051-17	Valve cover - 42"		1			1										
	253051-5	Valve cover - 48"			1			1		1			1				
	253051-6	Valve cover - 60"									1			1			
	253051-7	Valve cover - 72"													1		
	253051-8	Valve cover - 84"														1	
	253051-18	Valve cover - 96"															1
13	223024	Adj. legs (each) aluminum	4	4	4	4	4	4	4	4	4	4	4	4	4	4	6
	223232	Adj. legs (each) after 7//15/82	4	4	4	4	4	4	4	4	4	4	4	4	4	4	6
14	253046	Grease can	1	1	1	1	1	1	1	1	1	1	1	1	1	1	1
15	253060-10	Drip pan	1	1	1	1	1	1									
	253060-5	Drip pan							1	1	1	1	1	1	1	1	1
**	228052-13	Pressure regulator - 3/4" NAT	1	1	1	1	1	1	1	1	1	1	1	1	1	1	1
	228052-14	Pressure regulator - 3/4" LP	OPTIONAL														

**Item not shown on drawing



GRIDDLE PLATE ASSEMBLIES For Regal Griddles

Manually Controlled

Part No	Description	Model No
253052-1	Griddle Plate	RGM : 1824-3/4"
253052-2	Griddle Plate	RGM : 1830-3/4"
253052-3	Griddle Plate	RGM : 1836-3/4"
253052-13	Griddle Plate	RGM : 2424-3/4"
253052-14	Griddle Plate	RGM : 2436-3/4"
253052-15	Griddle Plate	RGM : 2448-3/4"
253052-4	Griddle Plate	RGM : 1824-1"
253052-5	Griddle Plate	RGM : 1830-1"
253052-6	Griddle Plate	RGM : 1836-1"
253052-7	Griddle Plate	RGM : 2424-1"
253052-8	Griddle Plate	RGM : 2436-1"
253052-9	Griddle Plate	RGM : 2448-1"
253052-10	Griddle Plate	RGM : 2460-1"
253052-11	Griddle Plate	RGM : 2472-1"
253052-12	Griddle Plate	RGM : 2484-1"

Manually controlled w/open top combination

Part No	Description	Model No
253052-37	Griddle Plate	RGM : 1824-3/4"-2
253052-38	Griddle Plate	RGM : 1830-3/4"-2
253052-39	Griddle Plate	RGM : 1836-3/4"-2
253052-28	Griddle Plate	RGM : 2424-3/4"-2
253052-29	Griddle Plate	RGM : 2436-3/4"-2
253052-30	Griddle Plate	RGM : 2448-3/4"-2
253052-40	Griddle Plate	RGM : 1824-1"-2
253052-41	Griddle Plate	RGM : 1830-1"-2
253052-42	Griddle Plate	RGM : 1836-1"-2
253052-31	Griddle Plate	RGM : 2424-1"-2
253052-32	Griddle Plate	RGM : 2436-1"-2
253052-33	Griddle Plate	RGM : 2448-1"-2
253052-34	Griddle Plate	RGM : 2460-1"-2
253052-35	Griddle Plate	RGM : 2472-1"-2
253052-36	Griddle Plate	RGM : 2484-1"-2

Thermostatically Controlled

Part No	Description	Model No
253052-16	Griddle Plate	RGTA: 2424-1"
253052-17	Griddle Plate	RGTA: 2436-1"
253052-18	Griddle Plate	RGTA: 2448-1"
253052-19	Griddle Plate	RGTA: 2460-1"
253052-20	Griddle Plate	RGTA: 2472-1"
253052-21	Griddle Plate	RGTA: 2484-1"

Thermostatically Controlled w/open top combination

Part No	Description	Model No
253052-22	Griddle Plate	RGTA: 2424-1"-2
253052-23	Griddle Plate	RGTA: 2436-1"-2
253052-24	Griddle Plate	RGTA: 2448-1"-2
253052-25	Griddle Plate	RGTA: 2460-1"-2
253052-26	Griddle Plate	RGTA: 2472-1"-2
253052-27	Griddle Plate	RGTA: 2484-1"-2

Grooved Griddles

General parts listing for all grooved griddle plates are identical to other griddles except for type of griddle plate.

Manually Controlled

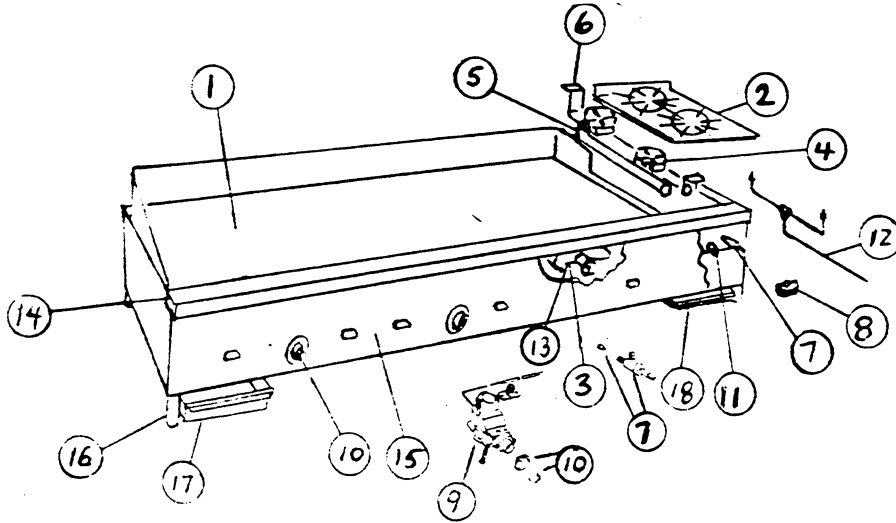
Part No	Description	Model No
253139-1	Plate Assy	RGM-G: 2436-1 1/4"
253139-2	Plate Assy	RGM-G: 2424-1 1/4"
253139-3	Plate Assy	RGM-G: 2448-1 1/4"
253139-4	Plate Assy	RGM-G: 2460-1 1/4"

Thermostatically Controlled

Part No	Description	Model No
253139-5	Plate Assy	RGTA-G: 2424-1 1/4"
253139-6	Plate Assy	RGTA-G: 2436-1 1/4"
253139-7	Plate Assy	RGTA-G: 2448-1 1/4"
253139-8	Plate Assy	RGTA-G: 2460-1 1/4"

253147	Grooved griddle scraper assy
224033	Scraper brush only

U.S. REGAL RGTA Series



Item No	Part No	Description	Thermostatically Controlled with or without open burner pairs														
			2424-1	2436-1	2448-1	2460-1	2472-1	2484-1	2424-1-2	2436-1-2	2448-1-2	2460-1-2	2472-1-2	2484-1-2			
1	253052-X	Griddle plate assy - See pg. 39															
2	222082	Open burner grate 12" x 24" painted									1	1	1	1	1	1	1
	222082-1	Open burner grate 12" x 24" porc.									OPTIONALS						
	222033	"S" Grate - 12" X 24" painted															
	222033-1	"S" Grate - 12" x 24" Porc.															
3	252336	Griddle burner	2	3	4	5	6	7	2	3	4	5	6	7			
	223005-4	Air shutter	2	3	4	5	6	7	2	3	4	5	6	7			
	225072	Adj. lock screw	2	3	4	5	6	7	2	3	4	5	6	7			
4	282554	Open burner - Front - complete								1	1	1	1	1	1	1	
	222171	Venturi w/air shutter - Front - Steel								1	1	1	1	1	1	1	
5	282555	Open burner - complete - Rear								1	1	1	1	1	1	1	
	222172	Venturi w/air shutter - Rear - Steel								1	1	1	1	1	1	1	
**	222162	Open burner - head only - Front or Rear	COMMON TO ALL OPEN BURNERS														
	224005	Gasket - (Cast iron venturi only)															
	224005-1	Gasket - (Stainless steel venturi)															
	223005	Air shutter - (w/cast iron venturi only)															
	225004	Adj. locking screw															

**Item not shown on drawing

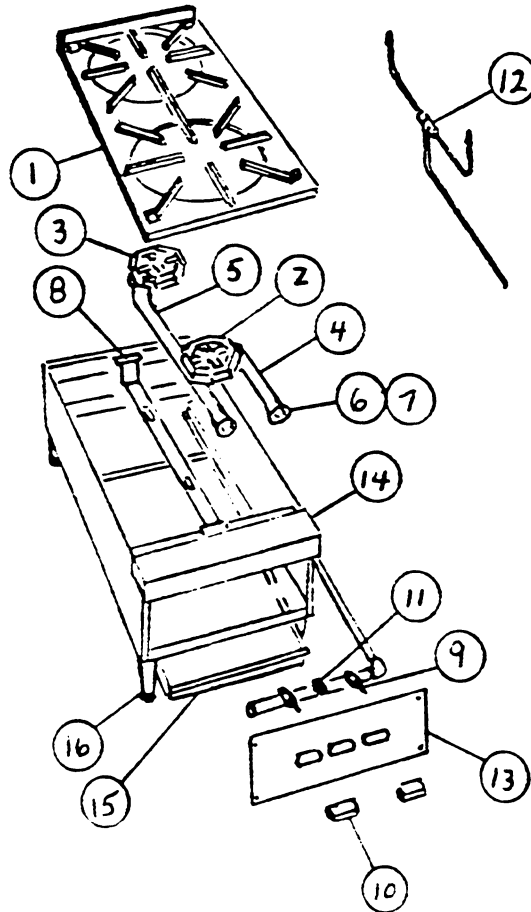
U.S. REGAL RGTA Series

Item No	Part No	Thermostatically Controlled with or without open burner pairs Description	2424-1	2436-1	2448-1	2460-1	2472-1	2484-1	2424-1-2	2436-1-2	2448-1-2	2460-1-2	2472-1-2	2484-1-2
6	272051	Burner hanger							1	1	1	1	1	1
7	227053	Burner valve - w/o orifice							2	2	2	2	2	2
	223242-46	Burner orifice / Open burner - NAT							2	2	2	2	2	2
	223242-56	Burner orifice / Open burner - LP							2	2	2	2	2	2
8	224015	Burner valve knob							2	2	2	2	2	2
9	227000-1	Thermostat - "8J" type	1	2	2	3	3	4	1	2	2	3	3	4
	228120	Capillary insulating sleeve	1	2	2	3	3	4	1	2	2	3	3	4
10	224000	Dial-thermostat	1	2	2	3	3	4	1	2	2	3	3	4
	228112	Bezel-thermostat	1	2	2	3	3	4	1	2	2	3	3	4
11	227199	Pilot valve - Adjustable	1	2	2	3	3	4	2	3	3	4	4	5
12	253134-1	Pilot tubing assy - Short	1	2	2	3	4	4	1	2	2	3	4	4
	253134-2	Pilot tubing assy - Long	1	1	2	2	2	3	1	1	2	2	2	3
	253062-2	Pilot tubing assy - Open burner							1	1	1	1	1	1
13	223000	Orifice elbow fitting - 90	2	3	4	5	6	7	2	3	4	5	6	7
	223242-44	Griddle burner orifice - NAT	2	3	4	5	6	7	2	3	4	5	6	7
	223242-54	Griddle burner orifice - LP	2	3	4	5	6	7	2	3	4	5	6	7
14	252037-1	Front top trim 24"	1											
	252037-2	Front top trim 36"		1					1					
	252037-3	Front top trim 48"			1					1				
	252037-4	Front top trim 60"				1					1			
	252037-5	Front top trim 72"					1					1		
	252037-6	Front top trim 84"						1					1	
	252037-9	Front top trim 96"												1
15	253051-9	Valve cover 24"	1											
	253051-10	Valve cover 36"		1					1					
	253051-11	Valve cover 48"			1					1				
	253051-12	Valve cover 60"				1					1			
	253051-13	Valve cover 72"					1					1		
	253051-14	Valve cover 84"						1					1	
	253051-19	Valve cover 96"												1
16	223232	Adjustable legs (each) After 7/15/82	4	4	4	4	6	6	4	4	4	4	6	6
17	253046	Grease can	1	1	1	1	1	1	1	1	1	1	1	1
18	253060-8	Drip pan							1	1	1	1	1	1
**	228052-13	Pressure regulator - 3/4" NAT	1	1	1	1	1	1	1	1	1	1	1	1
**	228052-14	Pressure regulator - 3/4" LP	OPTIONAL											

**Item not shown on drawing

U.S. REGAL

RHPA Series Heavy Duty Hot Plates



Item No	Part No	Description												
			112	224	336	448	212	424	636	848	1060			
1	222049	12" x 12" top grate - BLK	1	2	3	4								
	222049-1	12" x 12" top grate - PORC.	1	2	3	4								
	222082	12" x 24" top grate - BLK					1	2	3	4	5			
	222082-1	12" x 24" top grate - PORC.					1	2	3	4	5			
**	222033	"S" grate, 6" x 24" - BLK	OPTIONAL											
**	222033-1	"S" grate, 6" x 24" - PORC.	OPTIONAL											
2	282554	Open burner assy - Front	1	2	3	4	1	2	3	4	5			
3	282555	Open burner assy - Rear					1	2	3	4	5			
**	222162	Open burner head only - Front/Rear	COMMON TO ALL BURNERS											
	224005	Gasket: Burner to Venturi (Cast iron venturi only)												
	224005-1	Gasket: Burner to Venturi (S/S venturi only)												
	225233	Screw (Connecting burner head to venturi)												
4	222171	Venturi only - Front - S/S												
5	222172	Venturi only - Rear - S/S												
6	223005	Air shutter (Cast iron venturi only)												
7	225004	Adjustment locking screw - (Air shutter)												

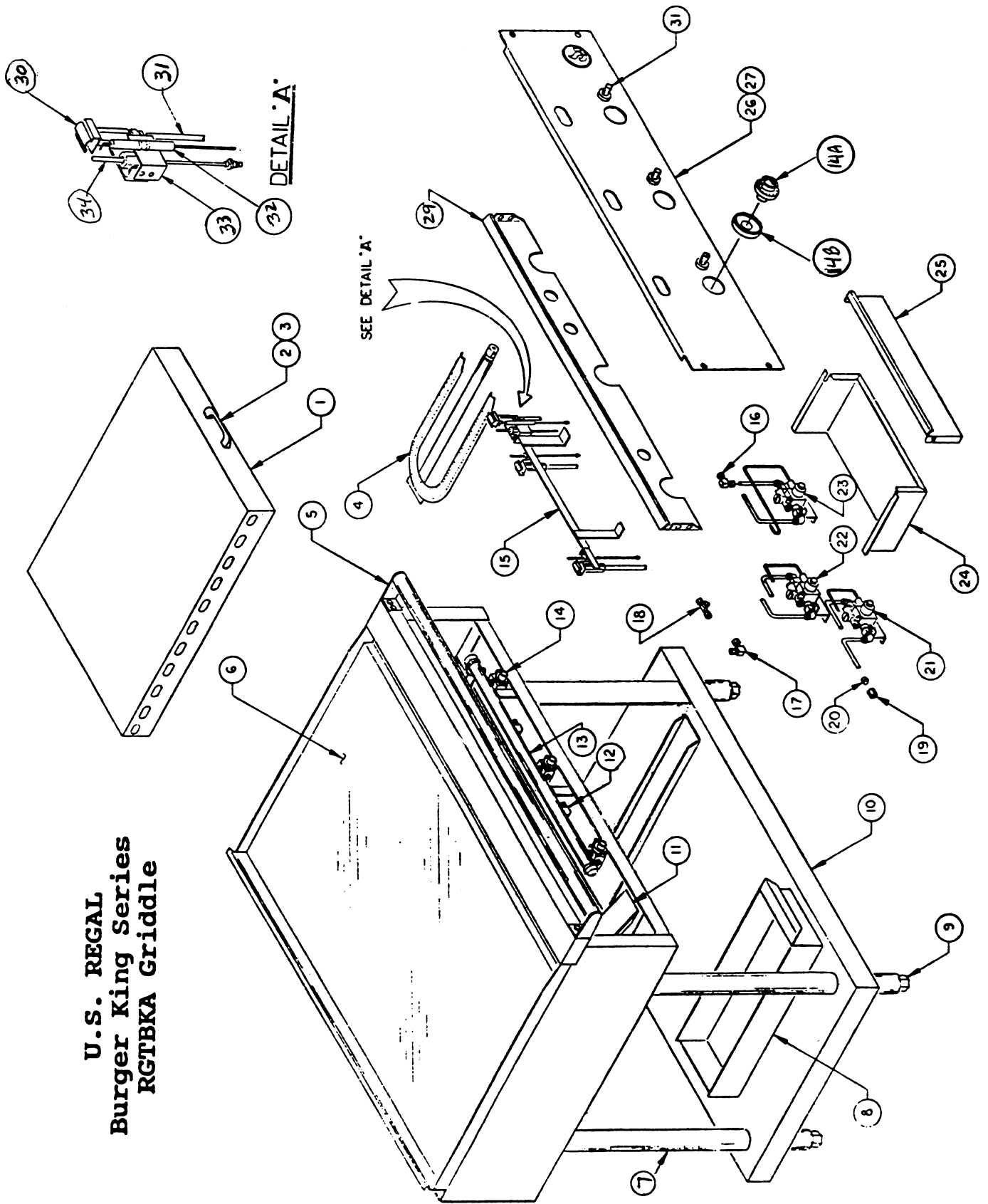
U.S. REGAL

RHPA Series Heavy Duty Hot Plates

Item No	Part No	Description										
			112	224	336	448	212	424	636	848	1060	
8	272051	Burner hanger assy					1	2	3	4	5	
9	227053	Burner valve w/o orifice	1	2	3	4	2	4	6	8	10	
	223242-46	Burner orifice - NAT	1	2	3	4	2	4	6	8	10	
	223242-56	Burner orifice - LP	OPTIONAL									
10	224015	Burner valve knob	1	2	3	4	2	4	6	8	10	
11	227199	Pilot valve (Used across board)	1	2	3	4	1	2	3	4	5	
12	253133-7	Pilot tubing assy	1	2	3	4						
	253062-2	Pilot tubing assy					1	2	3	4	5	
13	253051-1	Valve cover - 12"	1				1					
	253051-2	Valve cover - 24"		1				1				
	253051-3	Valve cover - 36"			1				1			
	253051-4	Valve cover - 48"				1				1		
	253051-5	Valve cover - 60"									1	
14	253055-1	Front top trim - 12"	1				1					
	253055-2	Front top trim - 24"		1				1				
	253055-3	Front top trim - 36"			1				1			
	253055-4	Front top trim - 48"				1				1		
	253055-5	Front top trim - 60"									1	
15	253060-1	Drip pan - 12 3/8" x 8 1/2"	1									
	253060-2	Drip pan - 12 3/8" x 20 1/2"		1								
	253060-3	Drip pan - 12 3/8" x 32 1/2"			1							
	253060-4	Drip pan - 12 3/8" x 44 1/2"				1						
	253060-5	Drip pan - 24 1/4" x 8 1/2"					1					
	253060-6	Drip pan - 24 1/4" x 20 1/2"						1				
	253060-7	Drip pan - 24 1/2" x 32 1/2"							1			
	253060-8	Drip pan - 24 1/2" x 44 1/2"								1		
	253060-9	Drip pan - 24 1/2" x 56 1/2"									1	
16	223232	Legs - Adjustable	4	4	4	4	4	4	4	4	4	
**	228052-13	Pressure regulator - 3/4" NAT	1	1	1	1	1	1	1	1	1	
	228052-14	Pressure regulator - 3/4" LP	OPTIONAL									

**Item not shown on drawing

**U.S. REGAL
Burger King Series
RGTBKA Griddle**



**U.S. REGAL
Burger King Series
RGTBKA Griddle**

Item No	Part No	Description	QTY
1	253438	Top cover - Griddle	2
2	224020	Cover handle	2
3	225133	Handle cover retainer screw 10-24 x 3/8"	4
4	253482	Tubular burner - 24" unit	3
	223005-4	Air shutter	3
	223242-46	Burner orifice - NAT	3
	223242-56	Burner orifice - LP	3
5	253382	Handle bar assy	1
6	253435-SP	Griddle plate assy	1
7	253433	Leg assy - foot	4
7A	253433-1	Leg assy - caster	4
8	253423	Grease can assy	1
9	224073	Adjustable foot - S/S	4
10	253462	Bottom shelf assy	1
11	253455	Grease drain extender	1
12	227199	Pilot valve - Single (Use accross the board)	2
13	223053	Manifold pipe	1
14	227000	Thermostat (body only) "BJ" type	3
14A	224022	Dial - Thermostat	3
14B	228112	Bezel-thermostat	3
15	253496	Pilot bracket assy	1
16	223014	Brass elbow 3/8 x 1/4	1
17	223076	Brass elbow 3/16 x 1/8	2
18	228156	Pilot tee	1
19	223086	Compression nut 3/8	5
20	223088	Sleeve 3/8	5
21	253490-1	Safety pilot valve assy (L/H)	1
22	253490-2	Safety pilot valve assy (CTR)	1
23	253490-3	Safety pilot valve assy (R/H)	1
24	253493	Safety valve box	1
25	253495	Safety valve cover	1
26	253387	Valve cover (w/ignitor)	1
27	253051-11	Valve cover (w/o ignitor)	1

**U.S. REGAL
Burger King Series
RGTBKA Griddle**

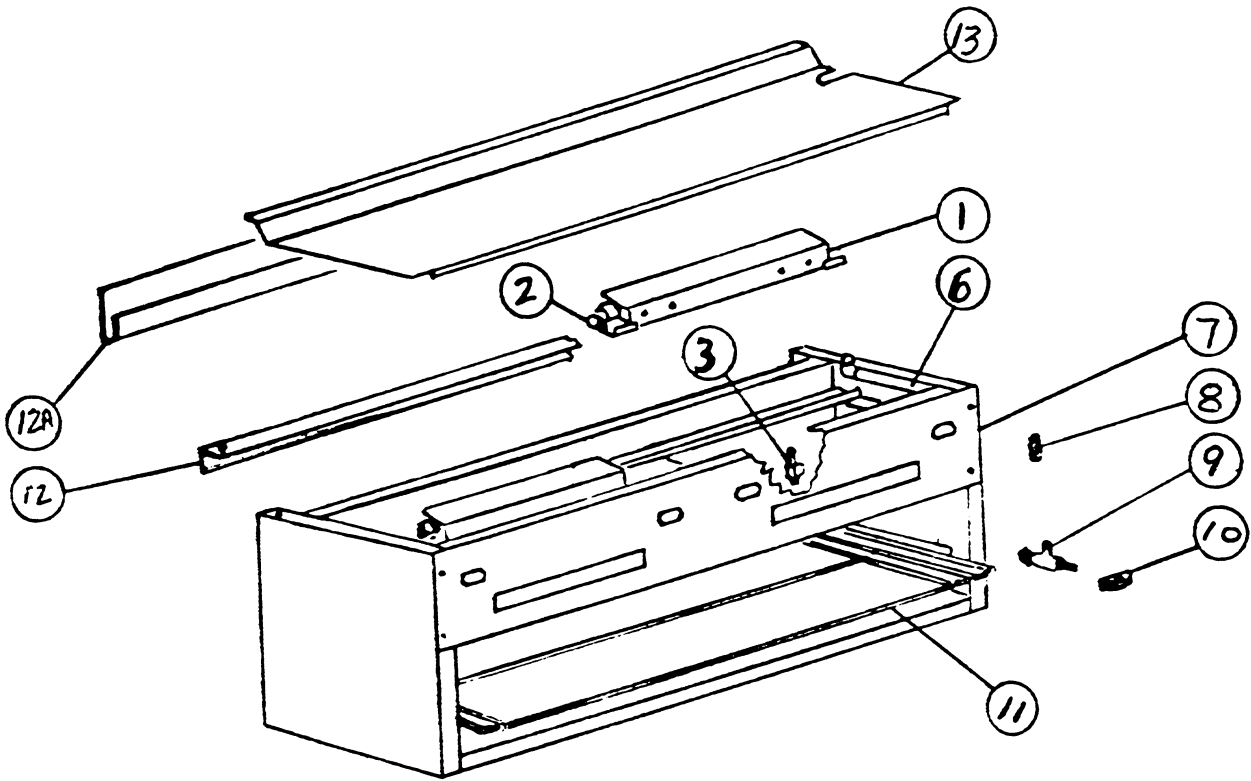
Item No	Part No	Description	QTY
28	227158	Igniter - Piezo (Optional)	3
29	253445	Front baffle	1
30	227016	Pilot burner	3
31	221034-2	Aluminum tubing 3/16 x 15	3
32	227159	Igniter - Electrode	3
33	253338	Bracket - Igniter	3
34	227121	Thermocouple	3
**	228052-13	Pressure regulator - 3/4" NAT	
**	228052-14	Pressure regulator - 3/4" LP	

****Item not shown on drawing**

U.S. REGAL

IRCMA Series

Infrared Cheese Melter



U.S. REGAL IRCMA Series Infrared Cheesemelter

Item No	Part No	Description	IRCMA							
			24	36	48	60	72	96	120	
1	222105-1	Infrared burner - 18 3/4" x 5"	1		2	1	3	4	5	
	222106-1	Infrared burner - 29 1/2" x 5"		1		1				
2	227097	90 orifice elbow	1	1	2	1	3	4	5	
	227061-46	Orifice elbow assy - NAT	1		2	1	3	4	5	
	227061-55	Orifice elbow assy - LP	(OPTIONAL)							
	227061-39	Orifice elbow assy - NAT		1						
	227061-52	Orifice elbow assy - LP	(OPTIONAL)							
	227059-46	Orifice only - NAT	1		2	1	3	4	5	
	227059-55	Orifice only - LP	(OPTIONAL)							
	227059-39	Orifice only - NAT	1							
	227059-52	Orifice only - LP	(OPTIONAL)							
3	227041	Pilot burner	1	1	2	1	3	4	5	
**	253361-1	Pilot tubing assy - complete	1	1	2	1	3	4	5	
	253361-2	Pilot tubing assy - complete				1				
**	253360-1	Mainfold assy - 24"	1							
	253360-2	Mainfold assy - 36"		1						
	253360-3	Mainfold assy - 48"			1					
	253360-4	Mainfold assy - 60"				1				
	253360-5	Mainfold assy - 72"					1			
	253360-6	Mainfold assy - 96"						1		
	253360-7	Mainfold assy - 120"							1	
5	223019	90 elbow - 3/4"	1	1	1	1	1	1	1	
6	221130-8	Intake pipe - 3/4" x 8"	1	1	1	1	1	1	1	
7	253350-1	Valve cover - 24"	1							
	253350-2	Valve cover - 36"		1						
	253350-3	Valve cover - 48"			1					
	253350-4	Valve cover - 60"				1				
	253350-5	Valve cover - 72"					1			
	253350-6	Valve cover - 96"						1		
	253350-7	Valve cover - 120"							1	
8	227199	Pilot valve - Adj.	1	1	2	2	3	4	5	
9	227005	Burner valve	1	1	2	2	3	4	5	
10	224015	Burner valve knob	1	1	2	2	3	4	5	

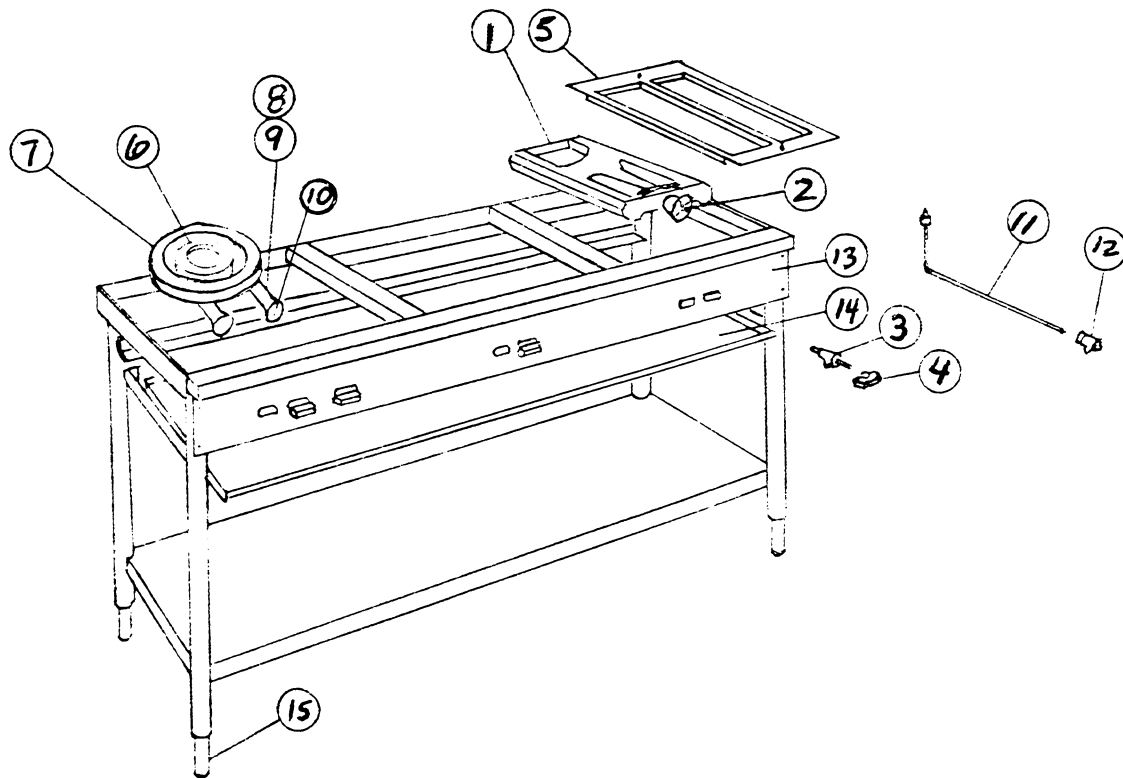
**Item not shown on drawing

**U.S. REGAL
IRCMA Series
Infrared Cheesemelter**

Item No	Part No	Description	IRCMA							
			24	36	48	60	72	96	120	
11	226004	Wire shelf - 13" x 21 1/2"	1							
	226010	Wire shelf - 13" x 33 1/2"		1						
	226005	Wire shelf - 13" x 45 1/2"			1					
	226011	Wire shelf - 13" x 57 1/2"				1				
	226006	Wire shelf - 13" x 69 1/2"					1			
	226007	Wire shelf - 13" x 93 1/2"						1		
	226008	Wire shelf - 13" x 117 1/2"								1
12	253002-51	Bracket for Range Mounting	1	1	1	1	1	1	1	1
12A	253370-1	Wall mounting bracket - 24"	1		2	2	3	3	4	
	253370-2	Wall mounting bracket - 36"		1						
13	253340-1	Top cover - 24"	1							
	253340-2	Top cover - 36"		1						
	253340-3	Top cover - 48"			1					
	253340-4	Top cover - 60"				1				
	253340-5	Top cover - 72"					1			
	253340-6	Top cover - 96"						1		
	253340-7	Top cover - 120"								1
**	228052-13	Pressure regulator - 3/4" NAT	1	1	1	1	1	1	1	1
	228052-14	Pressure regulator - 3/4" LP	(OPTIONAL)							

****Item not shown on drawing**

U.S. REGAL TR Series - Taco Range



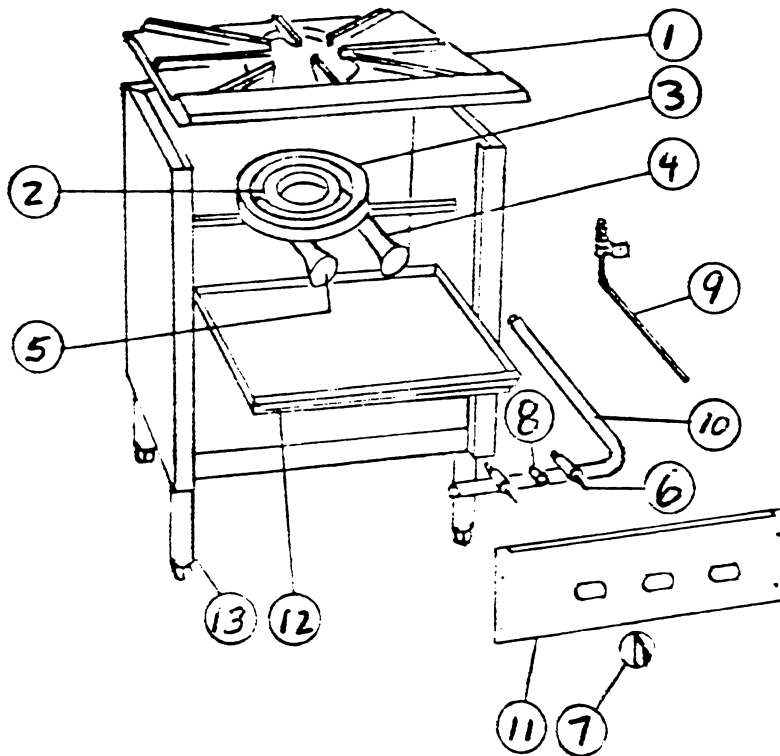
U.S. REGAL TR Series - Taco Range

Item No	Part No	Description					
			118	238	358	478	598
1	222006	"H" burner assy	1	2	3	4	5
2	223005	Air shutter	1	2	3	4	5
3	227053	Burner valve - w/o orifice	1	2	3	4	5
	223242-52	"H" Burner oriifce - NATAS NEEDED.... (One per burner)				
	223242-50	"H" Burner orifice - LP					
	223242-46	Small ring burner orifice - NAT					
	223242-57	Small ring burner orifice - LP					
	223242-40	Large ring burner orifice - NAT					
	223242-53	Large ring burner orifice - LP					
4	224015	Burner valve knob - Black					
5	222022	Top grate	1	2	3	4	5
6	222066	Round burner head - Small	OPTIONAL Depends on model configuration				
7	222067	Round burner head - Large					
8	224005	Round burner gasket - (Cast iron venturi only)					
	224005-1	Gasket - (Steel venturi only)					
9	222144	Venturi - 2 req. per set - Steel					
10	223005	Air shutter - (Cast iron venturi only)					
11	253134-3	Pilot tubing assy - "H" Burner	1	2	3	4	5
	253193	Pilot tubing assy - Ring burnerAS NEEDED....				
12	227199	Pilot valve - Adjustable	1	2	3	4	5
13	253091-1	Valve cover	1				
	253091-2	Valve cover		1			
	253091-3	Valve cover			1		
	253091-4	Valve cover				1	
	253091-5	Valve cover					1
14	253096-1	Drip pan	1				
	252096-2	Drip pan		1			
	253096-3	Drip pan			1		
	253096-4	Drip pan				1	
	253096-5	Drip pan					1

U.S. REGAL TR Series - Taco Range

Item No	Part No	Description					
			118	238	358	478	598
15	223024	Adjustable legs (each)	4	4	4	4	4
	223007-1	Casters - non-locking - Optional	2	2	2	2	2
	223007-2	Casters - locking - Optional	2	2	2	2	2
**	228052-13	Pressure regulator - 3/4" NAT	1	1	1	1	1
	228052-14	Pressure regulator - 3/4" NAT	OPTIONAL				

U.S. REGAL SP - 1855 Stock Pot Stove



**U.S. REGAL
SP - 1855 Stock Pot Stove**

Item No	Part No	Description
1	222071	Top grate
2	222066	Round burner head - Small
3	222067	Round burner head - Large
4	222144	Venturi - Steel
	224005	Gasket - (Cast iron only)
	224005-1	Gasket - (Steel venturi only)
5	223005	Air shutter - (Cast iron only)
6	227053	Burner valve - w/o orifice
	223242-50	Orifice - small burner - NAT
	223242-57	Orifice - small burner - LP
	223242-40	Orifice - large burner - NAT
	223242-53	Orifice - large burner - LP
7	224008	Burner valve knob - Chrome metal
8	227199	Pilot valve - Adjustable
9	253193	Pilot tubing assy - complete
10	223037	Manifold pipe
11	253185	Valve cover
12	253184	Drip pan
13	223265-1	Legs (each) Adjustable
	223007-1	Casters - non-locking brake - Optional
	223007-2	Casters - locking brake - Optional
**	228052-13	Pressure regulator - 3/4" NAT
**	228052-14	Pressure regulator - 3/4" LP

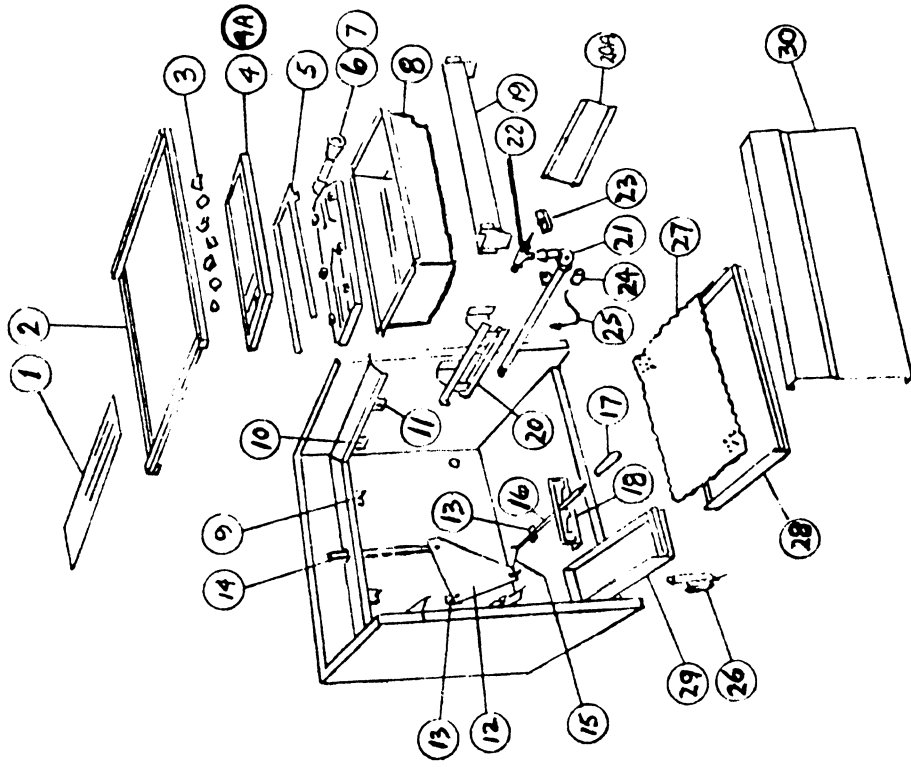
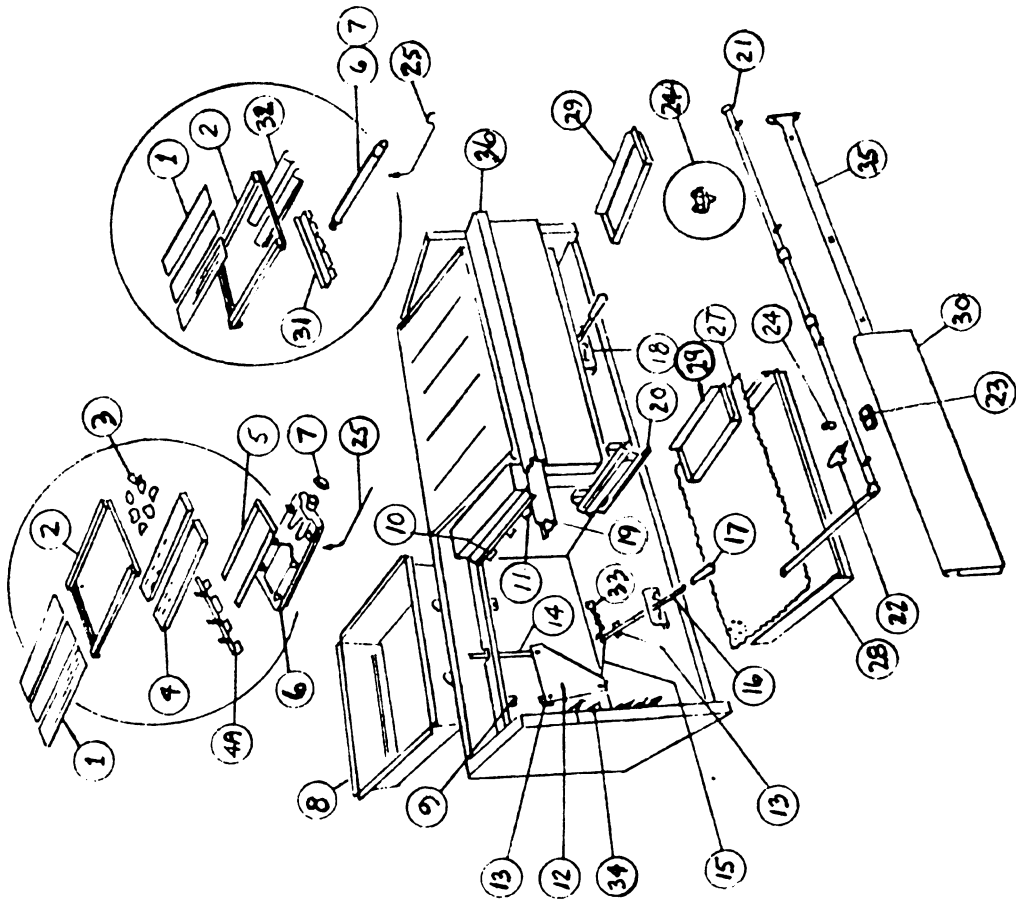
****Item not shown on drawing**

char-glo

Series

C-HDS-A & RG-HDS-A

C-Jr-21 & 30



U.S. REGAL Char - Glo Series

Item No	Part No	Description	C-HDS-A					RG-HDS-A					C-JR	
			-24	-30	-36	-48	-60	-24	-30	-36	-48	-60	-21	-30
1	222035	Top grate - 6" x 24"	3	4	5	6	8	3	4	5	6	8		
	222023	Top grate - 4" x 14"											4	6
2	153888	Grid frame	1			2		1			2			
	153940	Grid frame		1			2		1		2			
	153970	Grid frame			1					1				
	154527	Grid frame											1	
	154428	Grid frame												1
3	153631-02	Lava rock - 2# box	3		1	2							2	3
	153631-10	Lava rock - 10# box		1	1	1	2							
4	222034	Bottom grate - 4" x 20"	4	5	6	8	10							
	222031	Bottom grate - 11" x 15"											1	
	222013	Bottom grate - 11" x 12"												2
4A	153913-1	Bottom grate support	1			2								
	153984-1	Bottom grate support		1			2							
	153983-1	Bottom grate support			1									
5	153907	Burner shield S/S	2	2	3	4	4							
	153539	Burner radiant - S/S						4	5	6	8	10		
	154516	Burner shield - S/S											1	
	154524	Burner shield - S/S												1
6	151726	Burner only	2	2	3	4	4							
	222078	Burner w/support						4	5	6	8	10		
	222012	Burner only											1	
	222036	Burner only												1
**	154156	Burner w/shield - assy	2	2	3	4	4							
	154515	Burner w/shield - assy											1	
	154525	Burner w/shield - assy												1
7	223005	Air shutter	2	2	3	4	4							
	223005-6	Air shutter						4	5	6	8	10		
	151182	Air shutter											1	1

U.S. REGAL Char - Glo Series

Item No	Part No	Description	C-HDS-A					RG-HDS-A					C-JR		
			-24	-30	-36	-48	-60	-24	-30	-36	-48	-60	-21	-30	
8	153898	Fire box - 24"	1			2									
	153985	Fire box - 30"		1			2								
	153973	Fire box - 36"			1										
	153847	Fire box - 24"						1			2				
	153922	Fire box - 30"							1			2			
	153952	Fire box - 36"								1					
	154510	Fire box - 21"												1	
	154523	Fire box - 30"													1
9	154080	Fire box back support	2	2	2	4	4	2	2	2	4	4			
	154501	Fire box back support											2	2	
10	153820	Fire box side spacer	4	4	4	8	8	4	4	4	8	8			
	154459	Fire box side spacer											2	2	
11	154123	Fire box side support	2	2	2	4	4	2	2	2	4	4			
	154502	Fire box side support											2	2	
12	153834	Lift plate	1	1	1	2	2	1	1	1	2	2			
	154756	Lift plate											1	1	
13	151877	Pivot plate	2	2	2	4	4	2	2	2	4	4			
	153651	Pivot plate											2	2	
14	154131	Push rod - 11 5/8"	1	1	1	2	2								
	153832	Push rod - 10 1/8"						1	1	1	2	2			
	153627	Push rod - 9 3/8"											1	1	
15	153835	Drag link	1	1	1	2	2	1	1	1	2	2	1	1	
16	153830	Lift lever	1	1	1	2	2	1	1	1	2	2			
	152127	Lift lever											1	1	
17	151696	Lift lever handle	1	1	1	2	2	1	1	1	2	2	1	1	
18	153836	Lift lever lock	1	1	1	2	2	1	1	1	2	2	1	1	
19	154806	Grease trough - 24"	1					1							
	154807	Grease trough - 30"		1					1						
	154808	Grease trough - 36"			1					1					
	154809	Grease trough - 48"				1					1				
	154810	Grease trough - 60"					1					1			
	154507	Grease trough - 21"											1		
	154522	Grease trough - 30"													1

U.S. REGAL Char - Glo Series

Item No	Part No	Description	C-HDS-A					RG-HDS-A					C-JR	
			-24	-30	-36	-48	-60	-24	-30	-36	-48	-60	-21	-30
20	153822	Screen / pan holder - R/H	1	1	1	2	2	1	1	1	2	2		
	153827	Screen / pan holder - L/H	1	1	1	2	2	1	1	1	2	2		
	154503	Screen / pan holder - R/H											1	1
	155404	Screen / pan holder - L/H											1	1
20A	154470	R/H baffle											1	1
21	153897	Manifold assy - 24"	1											
	154199	Manifold assy - 30"		1										
	154004	Manifold assy - 36"			1									
	154003	Manifold assy - 48"				1								
	154017	Manifold assy - 60"					1							
	153837	Manifold assy - 24"						1						
	153920	Manifold assy - 30"							1					
	154106	Manifold assy - 36"								1				
	154002	Manifold assy - 48"									1			
	154016	Manifold assy - 60"										1		
	154512	Manifold assy - 21" - 30"										1	1	
22	227006	Burner valve - Adj. - Service part only	2	2	3	4	4	4	5	6	8	10	1	1
	227053	Burner valve - w/o orifice	2	2	3	4	4							
	223242-31	Burner orifice - NAT	2	2	3	4	4							
	223242-47	Burner orifice - LP						2	2	3	4	4		
	223242-48	Burner orifice - NAT						2	2	3	4	4		
	223242-56	Burner orifice - LP											1	
	223242-36	Burner orifice - NAT											1	
	223242-51	Burner orifice - LP												1
	223242-30	Burner orifice - NAT												1
	223242-49	Burner orifice - LP	2	2	3	4	4	4	5	6	8	10	1	1
23	224015	Burner valve knob - BLK	2	2	3	4	4	4	5	6	8	10	1	1
24	227199	Pilot valve - single		2	1		4		1			2	1	1
24A	153844	Pilot valve - double	1		1	2		2	2	3	4	4		
25	151096	Pilot tubing assy - 8 1/2"	2		2	4		4	4	5	8	8		
	151096-1	Pilot tubing assy - 6 1/2"		2	1				1			2		
	151096-2	Pilot tubing assy - 8"											1	1

U.S. REGAL Char - Glo Series

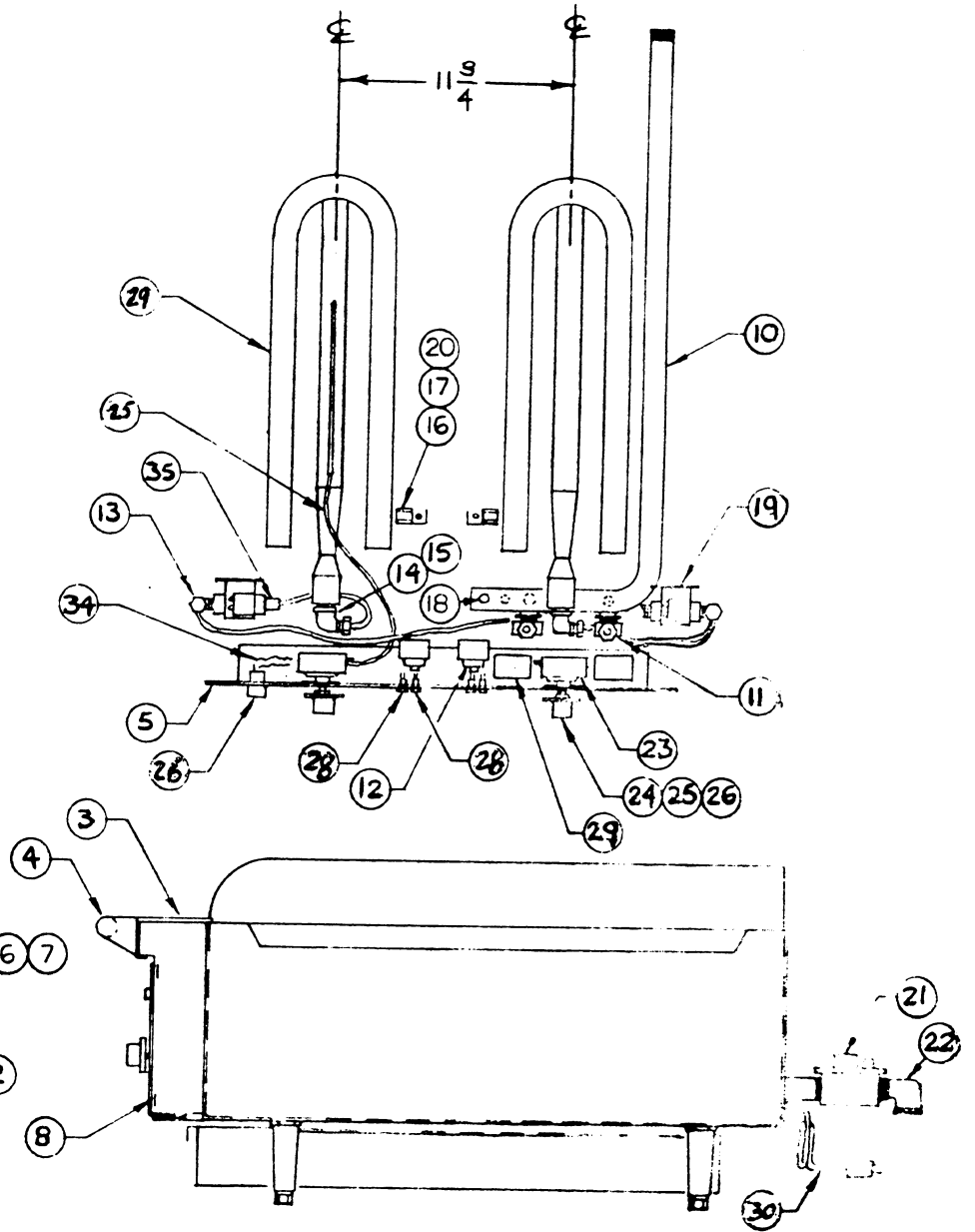
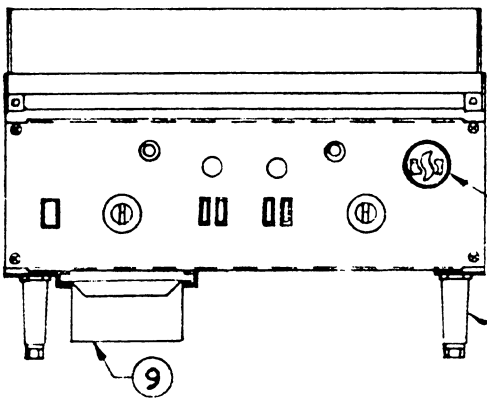
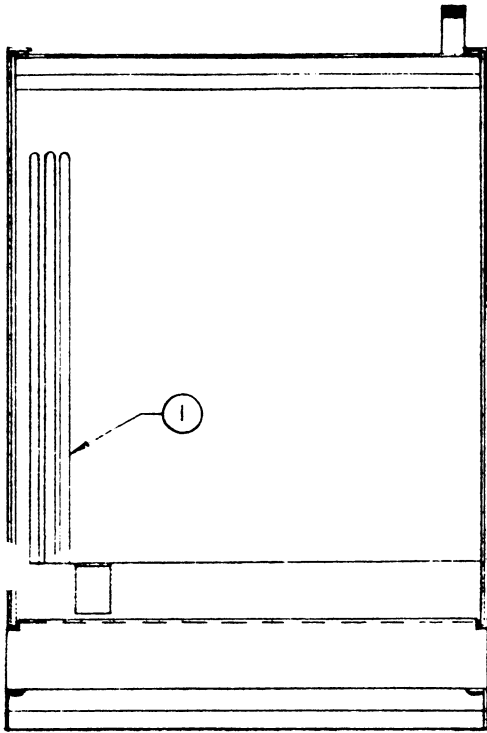
Item No	Part No	Description	C-HDS-A					RG-HDS-A					C-JR		
			-24	-30	-36	-48	-60	-24	-30	-36	-48	-60	-21	-30	
26	154508	Drain tube assy												1	1
27	153886	Perforated screen - 21" x 15 1/2"	1			2		2			4				
	154087	Perforated screen - 21 1/4" x 21 1/2"		1				2		2			4		
	154090	Perforated screen - 21 1/4" x 27 1/2"			1					2					
	154488	Perforated screen - 11 1/8" x 14 1/2"												1	
	154489	Perforated screen - 11 x 23 1/2"													1
28	153881-1	Slide pan - 21 3/8" x 17 1/16"	1			2		1			2				
	153936-1	Slide pan - 21 3/8" x 23 1/16"		1				2		1			2		
	153966-1	Slide pan - 21 3/8" x 29 1/16"			1						1				
	154490	Slide pan - 13 3/4" x 19 5/8"												1	
	154491	Slide pan - 13 3/4" x 28 5/8"													1
29	153879	Grease can - 22 3/16" x 8 5/8"	1	1	1	2	2	1	1	1	2	2			
	154492	Grease can - 15 1/16" x 8 3/4"												1	1
30	153887	Front apron door	1			2		1			2				
	153939	Front apron door		1				2		1			2		
	153969	Front apron door			1						1				
	154493	Front apron door												1	
	154494	Front apron door													1
31	153851	Back burner aligner							1			2			
	153926	Back burner aligner								1			2		
	153956	Back burner aligner									1				
32	153539	Burner radiant - S/S						4	5	6	8	10			
	222024	Burner radiant - cast iron	(OPTIONAL)												
33	154108	Spring holder	1	1	1	2	2	1	1	1	2	2			
	151699	Spring	1	1	1	2	2	1	1	1	2	2			
	225000	S-Hook	1	1	1	2	2	1	1	1	2	2			
34	154880	Grease trough support - R/H	1	1	1	1	1	1	1	1	1	1	1		
	154879	Grease trough support - L/H	1	1	1	1	1	1	1	1	1	1	1		
35	154114	Manifold mounting bracket - 24"	1						1						
	154115	Manifold mounting bracket - 30"		1						1					
	154116	Manifold mounting bracket - 36"			1						1				
	154117	Manifold mounting bracket - 48"				1						1			
	154118	Manifold mounting bracket - 60"					1						1		

U.S. REGAL Char - Glo Series

Item No	Part No	Description	C-HDS-A					RG-HDS-A					C-JR		
			-24	-30	-36	-48	-60	-24	-30	-36	-48	-60	-21	-30	
36	153866	Landing ledge assy - 24"	1					1							
	153933	Landing ledge assy - 30"		1					1						
	153963	Landing ledge assy - 36"			1					1					
	154005	Landing ledge assy - 48"				1					1				
	154018	Landing ledge assy - 60"					1					1			
	153869	Landing ledge bracket assy - R/H	1	1	1	1	1	1	1	1	1	1	1		
	153872	Landing ledge bracket assy - L/H	1	1	1	1	1	1	1	1	1	1	1		
**	228052-13	Pressure regulator - 3/4" NAT	1	1	1	1	1	1	1	1	1	1	1	1	1
**	228052-14	Pressure regulator - 3/4" LP	OPTIONAL												

****Item not shown on drawing**

TACO BELL GRIDDLE TB - 24GG



TACO BELL GRIDDLE TB - 24GG

Item No	Part No	Description
1	253650	Griddle plate assy
2	223232	4" leg
3	253678	Valve panel assy
4	253683	Front rail assy
5	253680	Lower valve panel
6	229000	Logo / Emblem
7	225045	Tinnerman clip
8	228280	"U" Clip
9	253692	Grease can
10	253687	Manifold sub-assy
11	223267	Close nipple - 1/4" x 18"
12	227071	Pilot safety valve (Baso)
13	223073	Elbow 3/8 NPT -3/8 CC
14	223000-1	Orifice elbow
15	223242-42	Orifice - NAT
	223242-54	Orifice - LP
16	227016	Pilot burner
	223181	Pilot orifice - NAT
	223182	Pilot orifice - LP
17	227002-1	Thermocouple
18	223059	Fitting - 1/8 NPT x 3/16 T
19	227160-1	Solenoid valve - R/H
	227160-2	Solenoid valve - L/H
20	253690	Pilot bracket
21	228052-13	Pressure regulator - 3/4" NAT
	228052-14	Pressure regulator - 3/4" LP
22	223020	Street elbow - 3/4" x 90
23	227178	Thermostat - "KX" type
24	224294	Knob assy (Consist of parts listed below)
	224233	Knob - Thermostat
	224258	Overlay - Thermostat
	224232	Insert - Thermostat
25	228120-36	Insulation sleeving

***Quantities vary depending on model number**

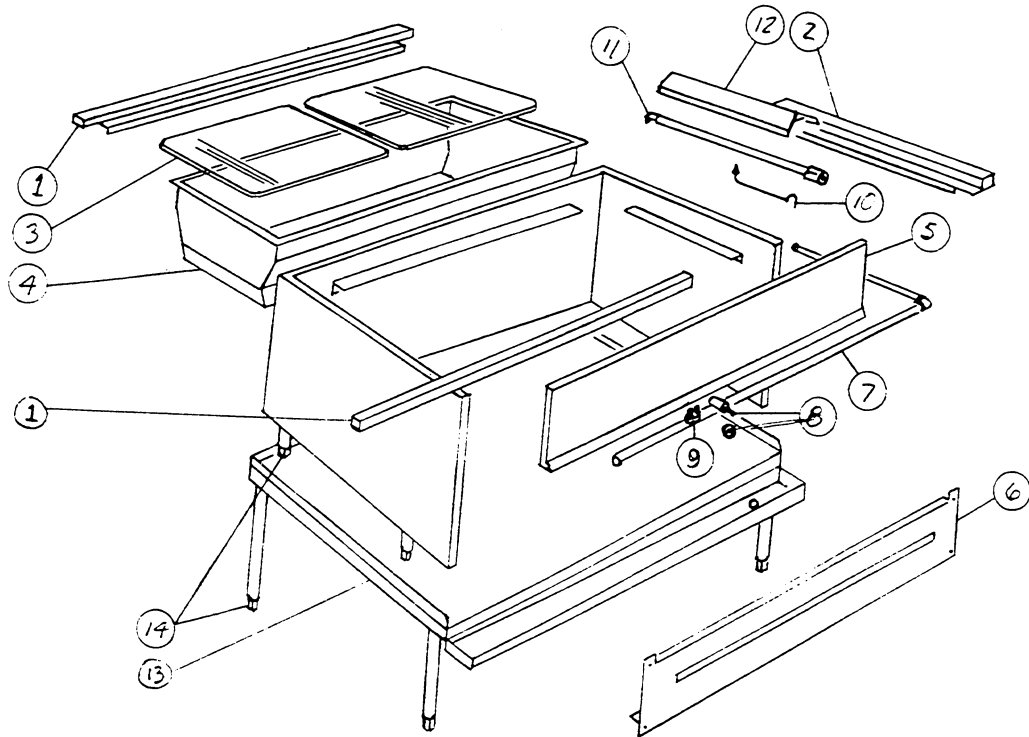
TACO BELL GRIDDLE TB - 24GG

Item No	Part No	Description
26	228006-2	Switch "ON/OFF"
27	228279	Relay - 120 V - 10 AMP
28	228007-5	Indicator light (Red)
	228007-6	Indicator light (Green)
29	252336	Burner assy
30	228210-3	Power cord
31	228282	Wire harness
32	223079	Connector - 3/8" NPTX x 3/8" tube
33	229111	Wiring diagram
34	223014	Elbow - 1/4" NPT x 3/8" tube
35	223279	Female elbow - 1/4 NPT
36	253660	Front baffle
37	253661	Front baffle insulation
38	253666	Flue extender assy

Description: **TUBING ASSEMBLIES**

Item No.	Connection	Part No.
1	From solenoid valve to safety pilot L/H	253698-1
2	From solenoid valve to tube burner R/H & L/H	253698-2
3	From safety pilot to manifold pipe L/H	253698-3
4	From solenoid valve to safety pilot R/H	253698-4
5	From safety pilot to manifold pipe R/H	253698-5
6	From safety pilot to pilot burner L/H	253699-1
7	From safety pilot to manifold pipe L/H	253699-2
8	From safety pilot to pilot burner R/H	253699-3
9	From safety pilot to manifold pipe L/H	253699-4

CHICKEN BROILER BBQ - 48 - 60 - 72

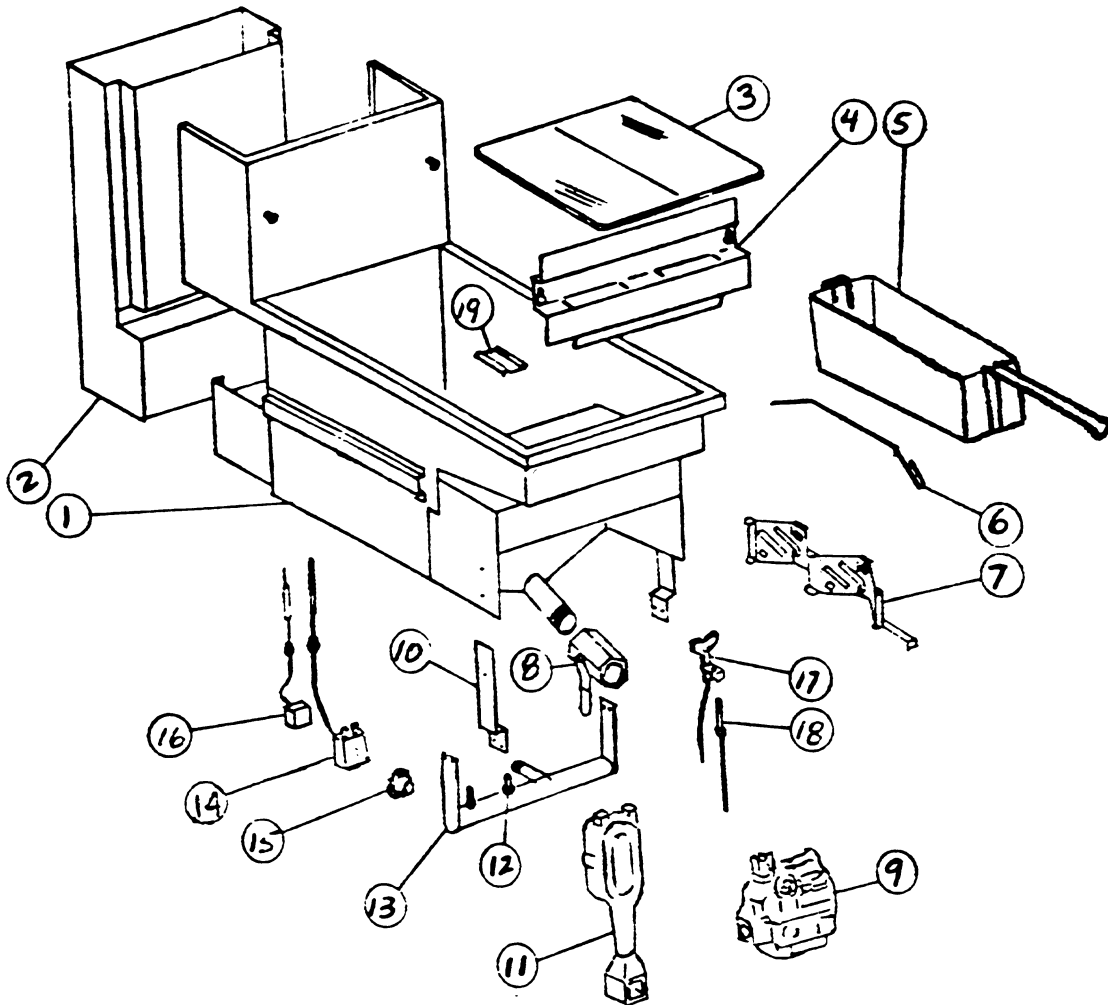


Item No	Part No	Description	BBQ		
			48	60	72
1	253259	Top trim - R/H or L/H	2	2	2
2	253528-1	Top trim - front or back - 48"	2		
	253528-2	Top trim - front or back - 60"		2	
	253528-3	Top trim - front or back - 72"			2
3	226027	Broiling grid - 22 3/4" x 35 1/2"	1		
	226028	Broiling grid - 19 3/16" x 35 1/2"		3	
	226029	Broiling grid - 23 3/16" x 35 1/2"			3
4	253514-1	Fire box assy - 48"	1		
	253514-2	Fire box assy - 60"		1	
	253514-3	Fire box assy - 72"			1
5	253510-1	Front panel assy - 48"	1		
	253510-2	Front panel assy - 60"		1	
	253510-3	Front panel assy - 72"			1

**CHICKEN BROILER
BBQ - 48 - 60 - 72**

Item No	Part No	Description	BBQ		
			48	60	72
6	253527-1	Valve cover - 48"	1		
	253527-2	Valve cover - 60"		1	
	253257-3	Valve cover - 72"			1
7	253531-1	Manifold pipe assy - 48"	1		
	253531-2	Manifold pipe assy - 60"		1	
	253531-3	Manifold pipe assy - 72"			1
8	227053	Burner valve w/o orifice	10	13	16
	223242-46	Orifice - NAT	10	13	16
	223242-56	Orifice - LP	10	13	16
	224008	Burner valve knob - Chrome metal	10	13	16
9	153844	Pilot valve - double	5	6	8
	227199	Pilot valve - single		1	
10	151096	Pilot tubing assy	10	13	16
11	222115	Tubular burner - S/S	10	13	16
	223005-6	Air shutter	10	13	16
12	253524	Radiant	10	13	16
13	253540-48	Stand assy - 48"	4	4	4
	253540-60	Stand assy - 60"	1		
	253540-72	Stand assy - 72"		1	
14	224073	Bullet foot - upper body - lower stand			1
15	223007-2	Casters locking - Optional	2	2	2
	223007-1	Casters Non-locking - Optional	2	2	2
**	228052-13	Pressure regulator - 3/4" NAT	1	1	1
**	228052-14	Pressure regulator - 3/4" LP	OPTIONAL		

CUISINE / PERFORMER
Deep Fat Fryer
836 - 1 - 1414 / PD - 1 -1212



CUISINE / PERFORMER
Deep Fat Fryer
836 - 1 - 1414 / PD - 1 -1212

Item No	Part No	Description	836	PD
1	221193	Fryer tank	1	
	221195	Fryer tank		1
2	251635-2	Flue box assy	1	
	252220-2	Flue box assy		1
3	226045	Crumb screen	1	
	226045	Crumb screen		1
4	228250	Basket hanger	1	
	228249	Basket hanger		1
5	228248	Frying basket	1	
	228247	Frying basket		1
6	224216	"Goofer" Rod (Declogger)	1	1
7	222122	Diffuser assy	1	
	222121	Diffuser assy		1
8	223254	Drain valve - 1 1/4"	1	1
	221186	Drain tube extension - 1 1/4" x 8"	1	1
9	227142	Combo. gas valve - NAT	1	1
	227146	Combo. gas valve - LP	1	1
	227125	Gas conversion kit - NAT to LP	1	1
10	223253	Manifold support	1	1
11	222120-1	Main burner - L/H	1	1
	222120-2	Main burner - CTR	1	1
	222120-3	Main burner - R/H	1	1
12	223249-44	Burner orifice - NAT	1	
	223248-53	Burner orifice - LP	1	
	223249-47	Burner orifice - NAT		1
	223248-56	Burner orifice - LP		1

**Note: Replacement tanks for Pitco no longer available from U.S. Range.
Above parts for units manufactured after 1985.**

CUISINE / PERFORMER
Deep Fat Fryer
836 - 1 - 1414 / PD - 1 -1212

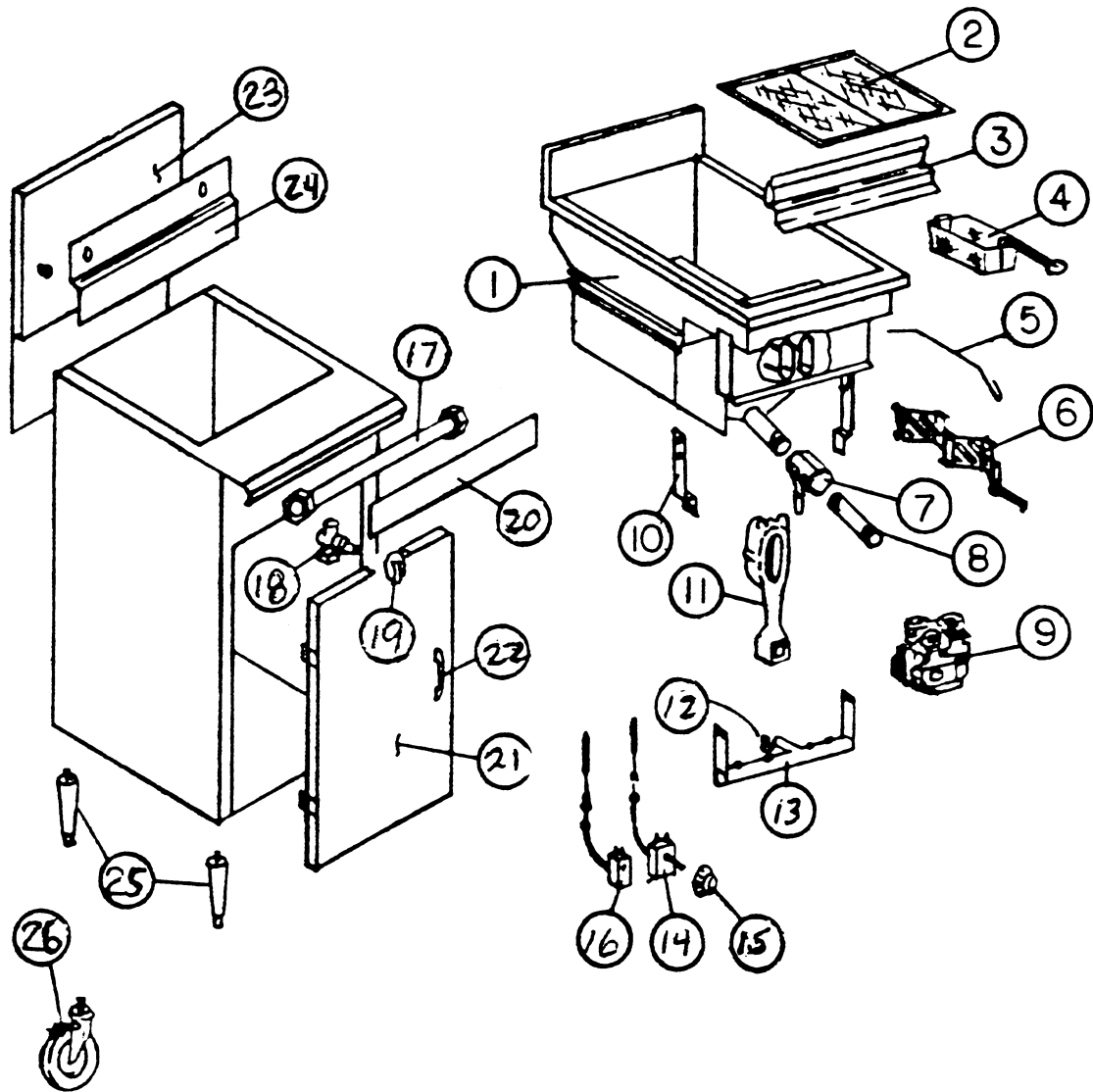
Item No	Part No	Description	836	PD
13	223252	Manifold assy	1	
	223251	Manifold assy		1
14	227141	Thermostat - "KX" type	1	1
15	224007	Dial thermostat	1	1
16	227143	High limit thermostat	1	1
17	227144	Pilot burner - NAT	1	1
	227147	Pilot burner - LP	1	1
	221034-12	Aluminum tubing	1	1
18	227145	Thermopile	1	1
19	259039	Capillary bulb holder	1	1
**	223265	Adjustable legs	4	4
**	223257	Casters - Non-locking brake (Optional)	2	2
**	223258	Casters - Locking brake (Optional)	2	2

****Item not shown on drawing**

U.S. CUISINE

Models 836/841-1414-1, -2 PD - 1 - 1212 , PFD - 1212 - 2

* Deep Fat Fryer (OLD STYLE)
(using Dean tank)



**U.S. CUISINE
Deep Fat Fryer
*(Old Style)
836 / 841 - 1414 - 1 - 2
(Using Dean Tank)**

Item No	Part No	Description
1	221165	Fryer tank
2	226046	Crumb screen
3	228250	Basket hanger
4	228248	Frying basket
5	224216	Clean-out rod - (Declogger)
6	222122	Diffuser assy
7	223254	Drain valve - 1 1/4"
8	221186	Drain tube extension - 1 1/4" x 8"
9	227142	Combo. gas valve - NAT
	227146	Combo. gas valve - LP
	227125	Gas conversion kit - NAT to LP
10	223253	Manifold support bracket
11	222120-1	Main burner - L/H
	222120-2	Main burner - CTR
	222120-3	Main burner - R/H
12	223249-44	Orifice - NAT
	223248-53	Orifice - LP
13	223252	Burner manifold
14	227141	Thermostat - "KX" type
15	224007	Knob - Thermostat
16	227143	High limit thermostat
**	227145	Thermopile
17	251686-1	Upper manifold pipe - 18"
	251686-2	Upper manifold pipe - 36"
18	227032	Gas manual shut off valve
19	224002	Knob - Manual shut off valve
20	251623-3	Valve cover - 18"
	251623-5	Valve cover - 36"
21	251620-1L	Door assy L/H - single tank
	251620-3L	Door assy L/H - double tank
	251620-3R	Door assy R/H - double tank
22	224020	Handle only - Door

****Item not shown on drawing**

NOTE: ABOVE PARTS FOR UNITS MANUFACTURED BEFORE 1985.

**U.S. CUISINE
 Deep Fat Fryer
 *(Old Style)
 836 / 841 - 1414 - 1 - 2
 (Using Dean Tank)**

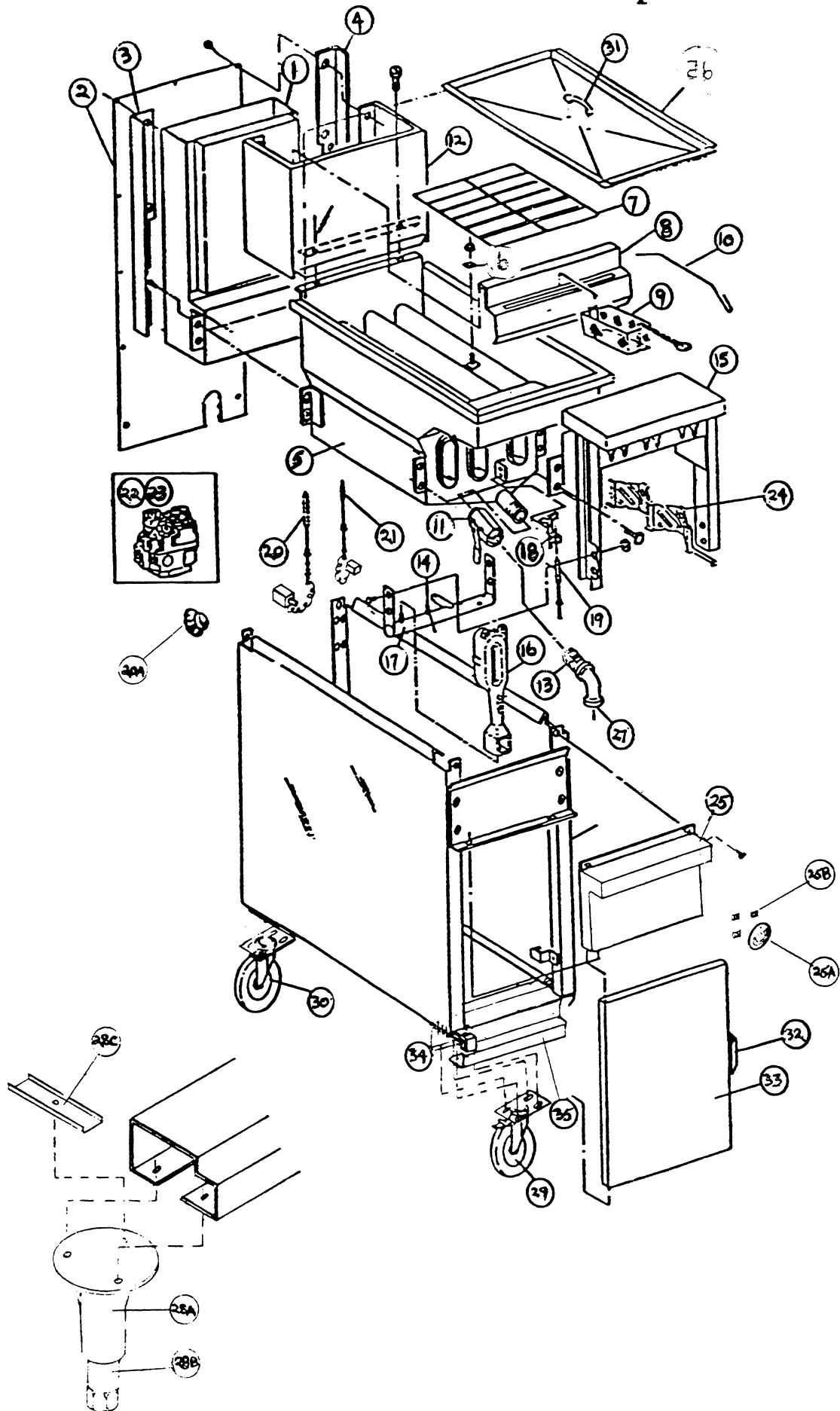
Item No	Part No	Description
23	251504-1	Stub back assy - single tank
	251504-2	Stub back assy - double tank
24	228080	Basket hanger
25	223265	Adjustable legs (each)
26	223258	Casters (each) - Locking brake (Optional)
	223257	Casters (each) - Non-Locking (Optional)

NOTE: "Performer" Deep Fat Fryers use the same parts schedule except for the following items:

PD - 1 - 1212 , PFD - 1212 - 2

1	221168	Fryer tank
2	226045	Crumb screen
3	228249	Basket hanger
6	222121	Diffuser assy
14	223251	Burner manifold

PSM-35 Performer Super Marathon



PSM-35 Performer Super Marathon

Item No	Part No	Description
1	36002	Flue assembly
2	36-0021	Structural Back
3	36-0003-1	Back reinforcement - L/H
4	36-0003-2	Back reinforcement - R/H
5	Vessel assy	Call Factory with serial number
	Vessel assy	Call Factory with serial number
6	18-0091	Capillary bulb holder
7	14808	Grid assembly (Drop in)
8	36-0026	Basket hanger
9	2407	Fry basket
10	224216	Goofer rod (Declogger)
11	223254	Drain valve - 1 1/4"
12	36005	Vessel back panel assembly
13	2102	Drain extension nipple
14	223249-44	Burner orifice - NAT
	223248-53	Burner orifice - LP
15	36003	Burner support assembly
16	14-0912-1	Main burner - L/H
	14-0912-2	Main burner - CTR
	14-0912-3	Main burner - R/H
17	36-0027	Gas manifold
18	2148	Pilot burner - NAT
	2147	Pilot burner - LP
19	227145	Thermopile for MV system
20	227141	Operating thermostat: "KX" type
20A	224007	Knob - Thermostat
21	227143	Hi-Limit thermostat
22	227142	Combo. gas valve - NAT
23	227146	Combo. gas valve - LP
24	36006	Diffuser assy
25	282800	Front panel assembly
25A	229001	Logo - Emblem "U.S. Range" (Lrg)
25B	1911	Tinnerman clip

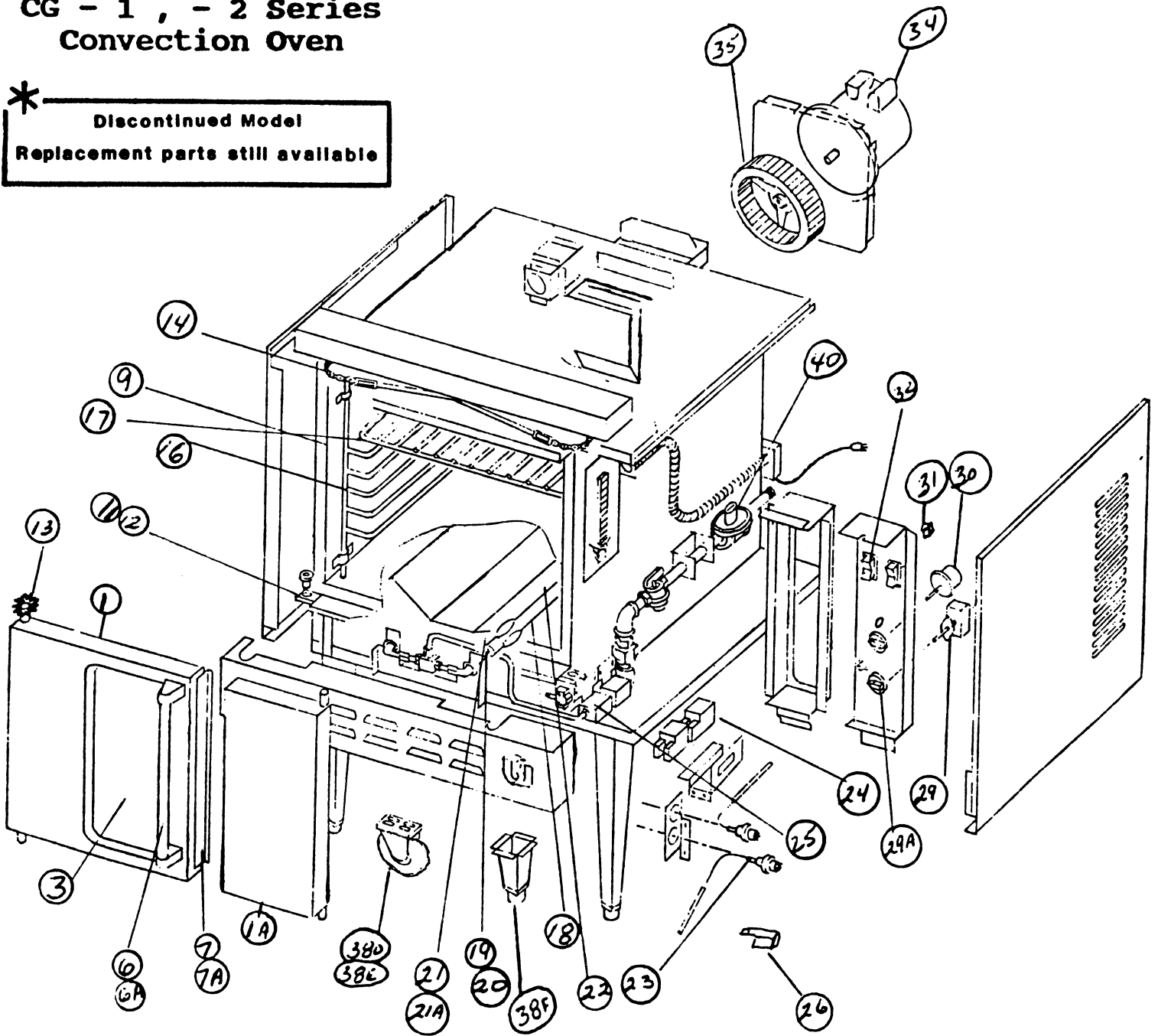
PSM-35 Performer Super Marathon

Item No	Part No	Description
26	14174	Vessel vat cover assy
27	2023	Drain extention elbow - 45 degrees
28A	223283	Cone leg - 6"
28B	224073	Bullet foot
28C	282806	Leg brace
29	223277-1	Caster with brake - OPTIONAL
30	223277-2	Caster with out brake - OPTIONAL
	225248	Leg screw (4 ea. per Caster / 3 ea. per Leg)
	225076	Lockwasher (4 ea. per Caster / 3 ea. per Leg)
31	1039	Vat cover handle only
32	36-0016	Door handle
33	36004-3	Cabinet door assy - BLK
34	24-0350	Lower door hanger
35	282803	Base channel
**	14200-1	Pilot burner assy - COMPLETE - NAT
**	14200-2	Pilot burner assy - COMPLETE - LP

CG - 1 , - 2 Series Convection Oven

*

Discontinued Model
Replacement parts still available



*** Discontinued Model
Replacement parts still available**

CG - 1 , - 2 Series Convection Oven

Item No	Part No	Description
1	264052	Door assy w/window - L/H - Complete
1A	264071	Door assy - R/H - Complete
2	264056	Door frame assy - L/H
2A	264074	Door frame assy - R/H
3	224067	Window assy
4	264054	Inner door liner - L/H
4A	264073	Inner door liner - R/H
5	264053	Outer door panel - L/H
5A	264072	Outer door panel - R/H
6	221187-2	Door handle
6A	224225	Door handle bracket
7	264144	Center door seal - R/H
7A	264143	Center door seal - L/H
8	264103	Manifold baffle
9	264068	Door gasket - Top
9A	264069	Door gasket - BTM
9B	264070-1	Door gasket - R/H
9C	264070-2	Door gasket - L/H
10	264123	Heat baffle
11	264077	Door hinge bracket
12	223263	Bushing - 5/8"
13	223264	Sprocket - 5/8"
14	259291	Door chain assy
15	264093-3	Oven top assy
15A	264093-4	Oven bottom assy
15B	264004-1	Oven back - Porc.
16	226055	Oven rack support - L/H & R/H
17	226056	Oven rack - 27 1/8" x 20 1/2"
18	222156	Burner assy
19	223000-1	Orifice elbow
20	223242-39	Burner orifice - NAT
20A	223242-52	Burner orifice - LP
21	227180	Pilot assy - NAT
21A	227180-1	Pilot assy - LP

***Quantities vary depending on model number
Item not shown on drawing

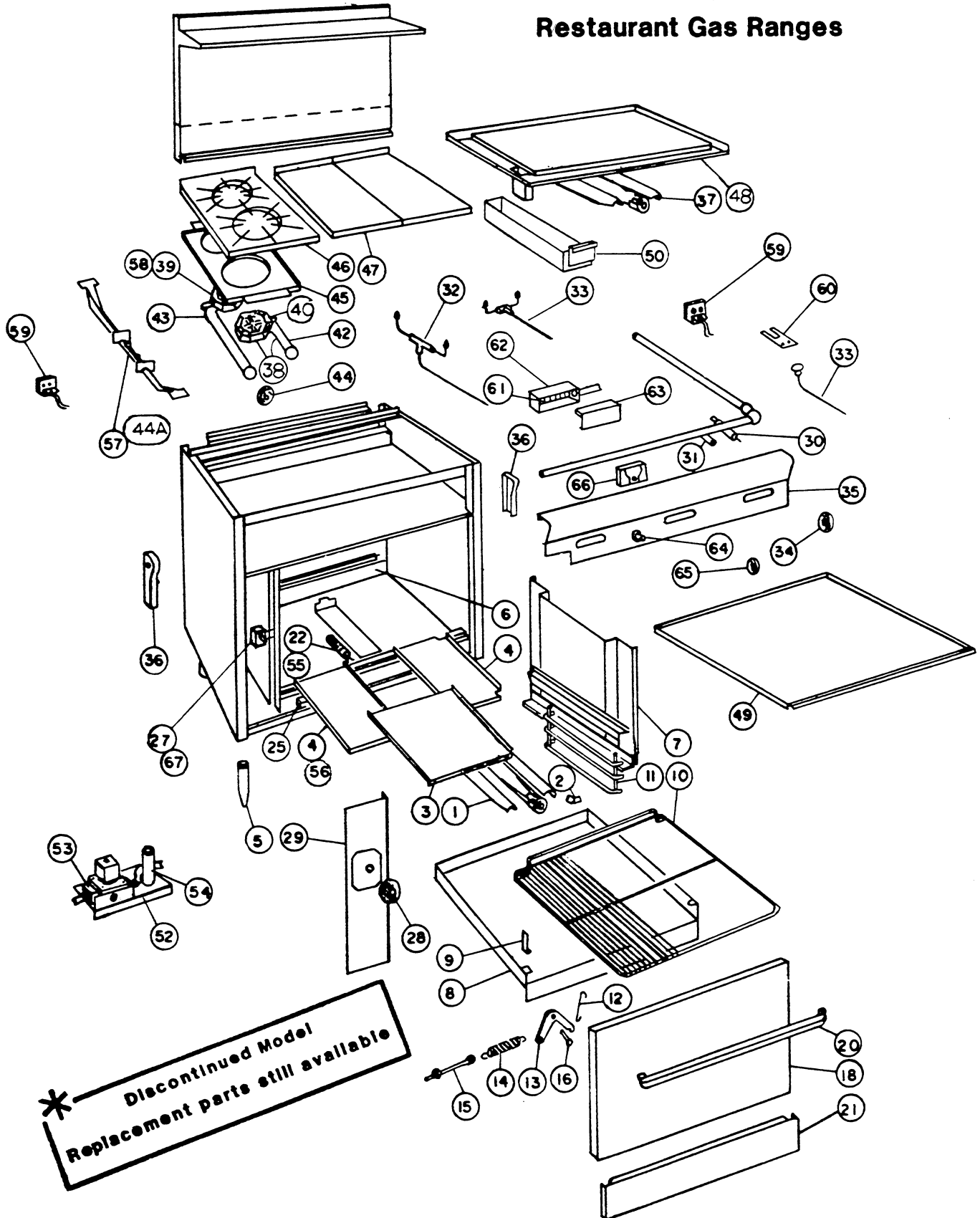
*** Discontinued Model
Replacement parts still available**

CG - 1 , - 2 Series Convection Oven

Item No	Part No	Description
22	227179	Igniter
23	227175	Flame switch
24	227168	Spark module
25	227160-3	Solenoid valve
26	227152	Micro switch / Door switch - Push button type
27	228272	Electronic assy - circuit board
28	228273	Transformer - 115V
29	227155	Thermostat / Electric - "KX" type
29A	224230-1	Knob & Set screw
30	228265	Timer - 5 HRS.
31	227157	Buzzer
32	228264-1	Switch - 3 way - "ON/OFF/COOL DOWN" (White)
32A	228264	Power switch - "ON/OFF"
33	228007-3	Indicator light (Red)
34	228283	Motor - 1/2" HP. (Howell)
35	228002	Blower wheel/Fan
36	224264	Light cover - Glass
37	228005	Light bulb - 40W
38	264080-1	Leg assy - 29"
38A	264080-3	Leg / Caster assy - 29" - w/o brakes
38B	264080-4	Leg / Caster assy - 29" - w/brakes
38C	223278	Adj. foot
38D	223257	Castors w/o brakes - Optional
38E	223258	Castors w/brakes - Optional
38F	264080-2	Leg assy - 6"
39	264110	Flue extension assy - double
**	228052-13	Pressure regulator - 3/4" NAT
**	228052-14	Pressure regulator - 3/4" LP

***Quantities vary depending on model number
Item not shown on drawing

U.S. PERFORMER PF Series Restaurant Gas Ranges



*** Discontinued Model
Replacement parts still available**

U.S. PERFORMER PF Series Restaurant Range

Item No	Part No	Description	QTY/UNIT OVEN WIDTH		
			20"	24"	28"
1	252336-2	Oven burner	1	1	1
	223005-4	Air shutter	1	1	1
2	223000	90 orifice elbow fitting	1	1	1
	223242-40	Oven burner orifice - NAT	1	1	1
	223242-52	Oven burner orifice - LP	1	1	1
3	252098-0	Oven flame spreader	1	1	1
4	252072-1	Oven aeration pan - R/H	1		
	252072-2	Oven aeration pan - L/H	1		
	252074	Oven aeration pan - R/H		1	
	252076	Oven aeration pan - L/H		1	
	252078	Oven aeration pan - R/H			1
	252080	Oven aeration pan - L/H			1
5	223265	Adjustable legs	4	4	4
	223258	Casters (each) - locking brake Optional	2	2	2
	223257	Casters (each) - non-locking Optional	2	2	2
6	252082-1	Oven inside back liner - Porcelain	1		
	252084-1	Oven inside back liner - Porcelain		1	
	252086-1	Oven inside back liner - Porcelain			1
7	252094-1	Oven inside side liner - R/H - Porc.	1	1	1
	252094-2	Oven inside side liner - L/H - Porc.	1	1	1
8	252092-01	Oven bottom pan - porcelain	1		
	252092-02	Oven bottom pan - porcelain		1	
	252092-03	Oven bottom pan - porcelain			1
9	252097	Oven bottom pan hold-down tab	2	2	2
10	226000	Oven rack - 20" x 18 1/2"	1		
	226001	Oven rack - 20" x 22 1/2"		1	
	226002	Oven rack - 20" x 26 1/2"			1
11	226009-1	Oven rack support - R/H	1	1	1
	226009-2	Oven rack support - L/H	1	1	1
12	224009	Oven door drag link	1	1	1
13	224012	Oven door rocker arm	1	1	1
14	224004	Oven door closure spring	1	1	1

*** Discontinued Model
Replacement parts still available**

**U.S. PERFORMER
PF Series
Restaurant Range**

Item No	Part No	Description	QTY/UNIT OVEN WIDTH		
			20	24"	28"
15	225003	Oven door eye bolt	1	1	1
16	225021	Oven door clevis pin	1	1	1
17	225041	Oven door bushing	2	2	2
18	252107-1	Oven door assy - BLK	1		
	252107-01	Oven door assy - S/S	1		
	252107-2	Oven door assy - BLK		1	
	252107-02	Oven door assy - S/S		1	
	252103-3	Oven door assy - BLK			1
	252107-03	Oven door assy - S/S			1
19	252101	Oven door frame assy	1		
	252105	Oven door frame assy		1	
	252109	Oven door frame assy			1
**	252102-1	Oven door liner - Porcelain	1		
	252106-1	Oven door liner - Porcelain		1	
	252110-1	Oven door liner - Porcelain			1
20	251105-2	Oven door handle	1		
	251105-3	Oven door handle		1	
	251105-4	Oven door handle			1
21	252111-1	Front kick plate - BLK	1		
	252111-01	Front kick plate - S/S	1		
	252111-2	Front kick plate - BLK		1	
	252111-02	Front kick plate - S/S		1	
	252111-3	Front kick plate - BLK			1
	252111-03	Front kick plate - S/S			1
22	227016	Oven pilot burner - manual pilot	1	1	1
23	223181	Oven pilot orifice - NAT	1	1	1
	223182	Oven pilot orifice - LP	1	1	1
24	227002	Thermocouple	1	1	1
25	227071	Oven pilot safety valve - (BASO)	1	1	1
	282534	Oven pilot safety valve bracket	1	1	1
26	228137	Mag head replacement kit	1	1	1

****Item not shown on drawing**

*** Discontinued Model
Replacement parts still available**

U.S. PERFORMER PF Series Restaurant Range

Item No	Part No	Description	QTY/UNIT OVEN WIDTH		
			20"	24"	28"
27	227019	Oven thermostat	1	1	1
	223172	Thermostat saddle mount	1	1	1
28	224022	Thermostat dial only	1	1	1
	228111	Thermostat bezel only	1	1	1
29	252174-1	Control cover - R/H - BLK	1	1	1
	252174-01	Control cover - R/H - S/S	1	1	1
	252174-2	Control cover - L/H - BLK	1	1	1
	252174-02	Control cover - L/H - S/S	1	1	1

Item No	Part No	Description	QTY/UNIT OVEN WIDTH				
			24"	36"	48"	60"	72"
30	227053	Open top burner valve - w/o orifice	QUANTITIES DEPEND ON TOP ARRANGEMENTS				
	223242-46	Open burner orifice - NAT					
	223242-56	Open burner orifice - LP					
	223242-44	Hot top / griddle orifice - NAT					
	223242-54	Hot top / griddle orifice - LP					
	223242-53	Broiler / griddle orifice - NAT					
	223242-61	Broiler / griddle orifice - LP					
	227006	Burner valve - Adj. orifice (P/S only)					
**	227000-1	Griddle thermostat					
	224000	Griddle thermostat - dial only					
	228112	Griddle thermostat - bezel only					
31	227199	Pilot valve/Single - adjustable					
32	253062-2	Open burner pilot tubing assy					
33	252133-2	Hot / top griddle pilot tubing assy					
34	224002	Burner valve knob					
35	252176-8	Valve cover-open burner	x				
	252176-2	Valve cover-open burner		x			
	252176-3	Valve cover-open burner			x		
	252176-4	Valve cover-open burner				x	
	252176-5	Valve cover-open burner					x
	252178-1	Valve cover - Hot top / Griddle	x				
	252178-2	Valve cover - Hot top / Griddle		x			

*** Discontinued Model
Replacement parts still available**

U.S. PERFORMER PF Series Restaurant Range

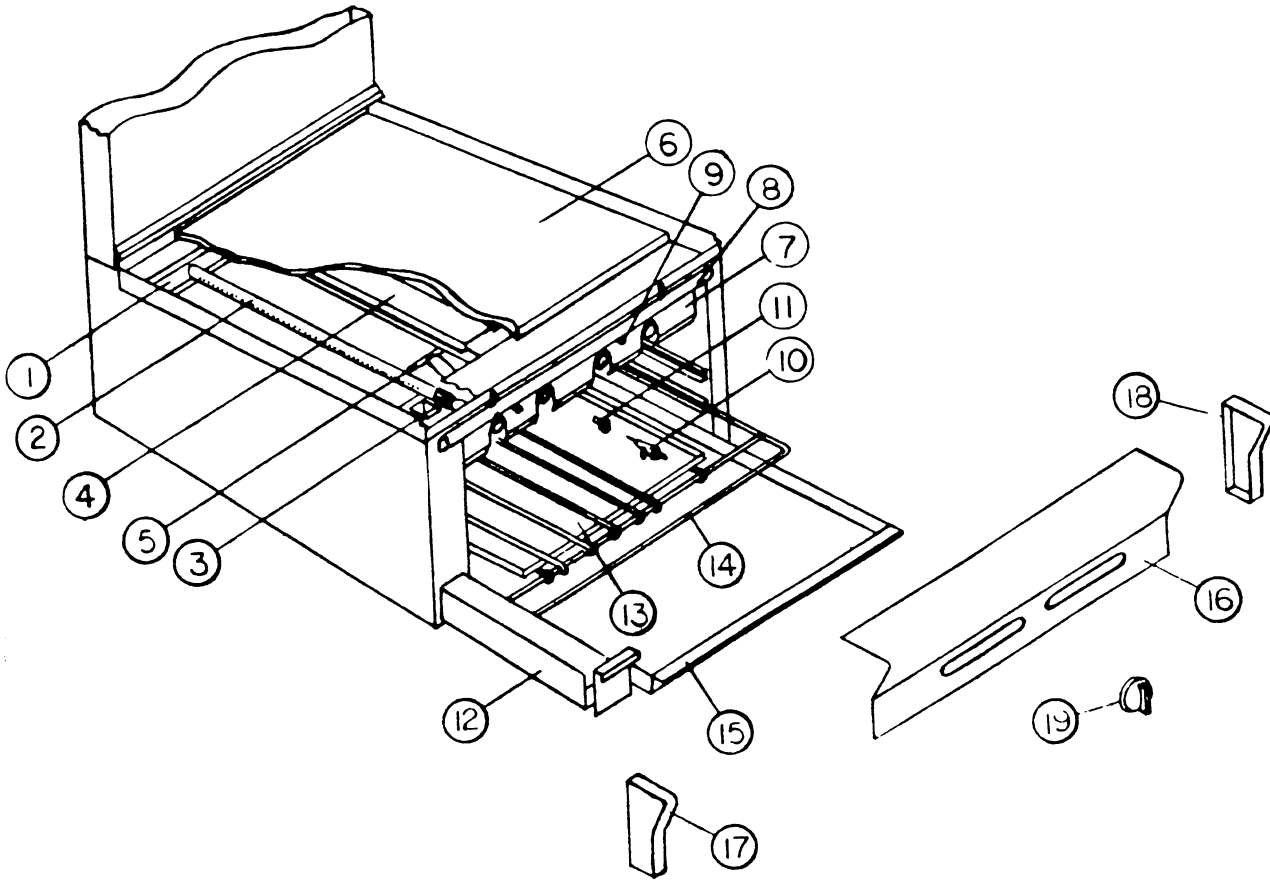
Item No	Part No	Description	24"	36"	48"	60"	72"					
	252178-3	Valve cover - Hot top / Griddle			x							
	252178-4	Valve cover - Hot top / Griddle				x						
	252178-5	Valve cover - Hot top / Griddle					x					
36	222043-1	Rim roll bracket - R/H - obsolete	x	x	x	x	x					
	222043-2	Rim roll bracket - L/H - obsolete	x	x	x	x	x					
37	252336-1	Hot top / Griddle burner - complete	Quantities depend on top arrangements									
	223005-4	Air shutter only										
38	282554	Open burner - front - complete										
39	282555	Open burner - rear - complete										
40	222162	Open burner - head only										
	225233	Screw - (Burner head to venturi)										
41	224005-1	Open burner - Gasket only - Steel ven.										
	224005	Gasket - Cast iron / Venturi only										
42	222172	Open burner venturi - Front - Steel										
43	224005	Open burner venturi - Rear - Steel										
44	223005	Air shutter - (Cast iron venturi only)										
	272051	Open burner hanger										
45	252122-1	Open burner air pan (all burner units)										
	252122-2	Open burner air pan - (2-burner units)										
46	222135-1	Open burner top grate - BLK										
47	222142	Hot top grate - 12"										
48	252125-1	Griddle plate assy						x				
	252125-2	Griddle plate assy							x			
	252125-3	Griddle plate assy								x		
	252125-4	Griddle plate assy									x	
	252125-5	Griddle plate assy					x					
49	252182-1	Drip pan - 12" wide	Quantities depend on top arrangements									
	252182-2	Drip pan - 24" wide										
	252182-3	Drip pan - 36" wide										
50	252114-0	Grease can - (griddles only)	x	x	x	x	x					
**	228052-13	Pressure regulator - 3/4" NAT	x	x	x	x	x					
	228052-14	Pressure regulator - 3/4" LP	OPTIONAL									

* Electric Ignition replacements parts - OBSOLETE - SEE KITS BELOW

	252355-1	Conversion kit - open top - Electronic ignition to manual.
	252355-2	Conversion kit - oven - Electronic ignition to manual.

*** Discontinued Model
Replacement parts still available**

U.S. PERFORMER PF Series Broiler Griddle Option



Item No	Part No	Description		
			12"	24"
1	252403	Rear burner hanger / baffle	1	
	252281	Rear burner hanger / baffle		1
2	222080	Burner tube	2	4
3	223005	Air shutter	2	4
4	252405	Radiant	2	
	252286	Radiant		4
5	253063-2	Trailer pilot assy	2	
	252290	Trailer pilot assy		4

*** Discontinued Model
Replacement parts still available**

**U.S. PERFORMER
PF Series
Broiler Griddle Option**

Item No	Part No	Description	12"	24"
6	252409	Griddle plate assy	1	
	252283	Griddle plate assy		1
7	252400	Front burner assy	1	
	252280	Front burner assy		1
8	252029-176	Manifold assy	1	
	252310	Manifold pipe		1
9	227199	Pilot valve - Single (adjustable)	2	4
10	227053	Burner valve w/o orifice	2	4
11	223242-53	Burner orifice - NAT	2	4
	223242-61	Burner orifice - LP	OPTIONAL	
12	252292	Grease can assy	1	1
13	252315-1	Grease catcher assy	1	
	252315	Grease catcher assy		1
14	226048	Broiler rack - 9 1/4" x 21 1/4"	1	
	226035-1	Broiler rack - 19 7/16" x 21 1/4"		1
15	252416	Drip pan	1	
	252297	Drip pan		1
16	252418	Valve cover - high broiler	1	
	252307	Valve cover - high broiler		1
	SPECIAL	Valve cover - w/cabinet below		
17	222043-2	Rim roll bracket - L/H - obsolete	1	1
18	222043-1	Rim roll bracket - R/H - obsolete	1	1
19	224002	Burner valve knob	2	4

NOTE: Following internal parts not shown:

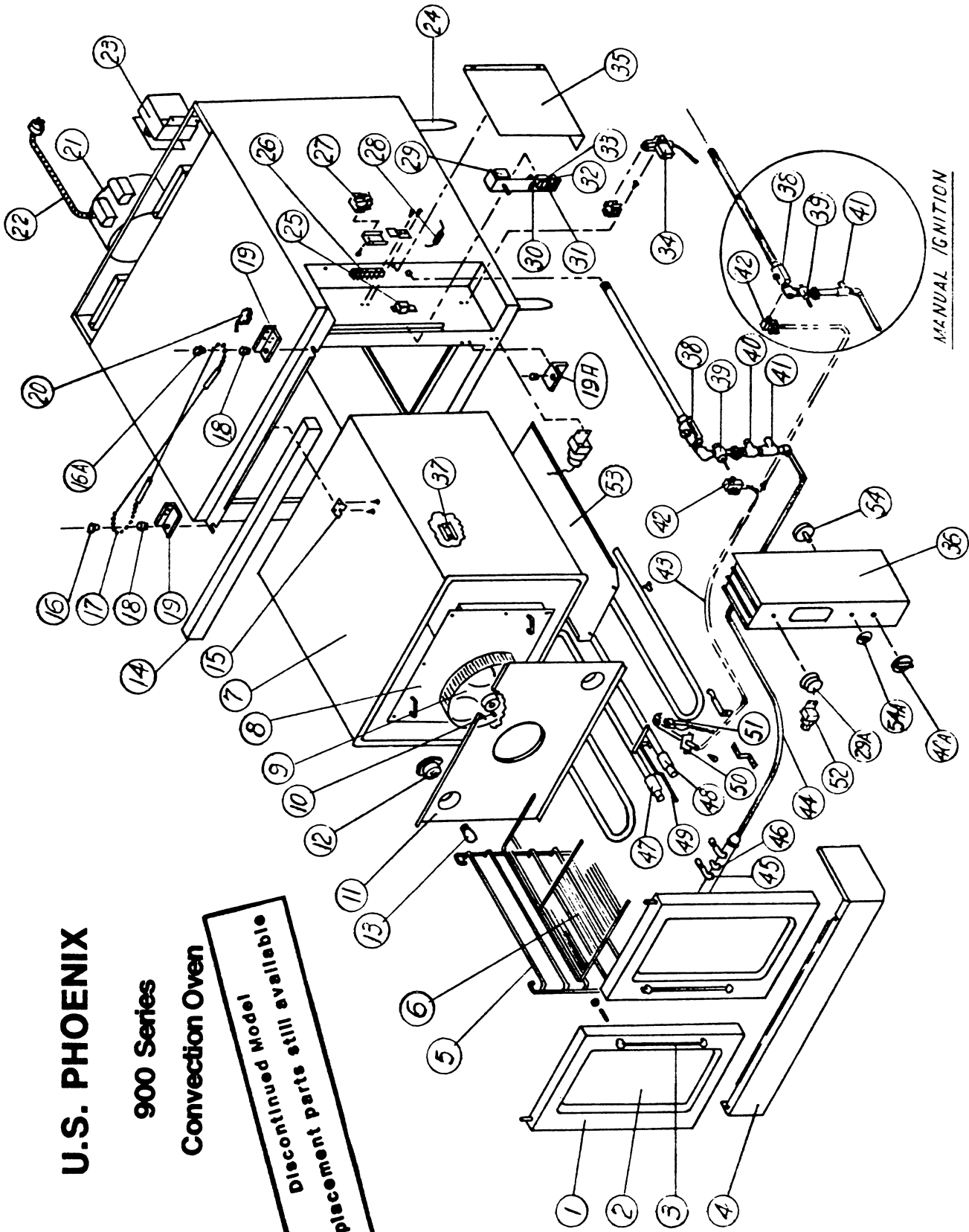
252277	Side liner - R/H - low broiler	1	1
252318	Side liner - L/H - low broiler	1	1
252394-1	Side liner - R/H - high broiler	1	
252274-1	Side liner - R/H - high broiler		1
252394-2	Side liner - L/H - high broiler	1	
252274-2	Side liner - L/H - high broiler		1

U.S. PHOENIX

900 Series

Convection Oven

* Discontinued Model
Replacement parts still available



*** Discontinued Model
Replacement parts still available**

U.S. PHOENIX 900 Series Convection Oven

Item No	Part No	Description
1	259100-1	Door assy - w/windows - R/H - BLK
	259100-2	Door assy - w/windows - L/H - BLK
	259100-01	Door assy - w/windows - R/H - S/S
	259100-02	Door assy - w/windows - L/H - S/S
2	224067	Door window assy w/gasket
3	251105-5FK	Door handle w/screws
4	259130-1	Lower kick panel assy - BLK
	259130-1S	Lower kick panel assy - S/S
5	226023	Oven rack guide - R/H or L/H
6	226024	Oven rack - 26 1/4" x 27"
7	259040	Oven tank assy - Porc.
8	259077	Oven motor mount assy
9	228002	Oven blower fan
10	228002-2	Oven fan allen set screw
11	259052	Oven blower baffle - Porc.
12	228004	Lamp socket
13	228005	Light bulb - 40W
14	259112	Top header cover - BLK
	259112-S	Top header cover - S/S
15	259113	Door catch
16	223060	Door sprocket assy - 1/2" L/H
	223264	Door sprocket assy - 5/8" L/H
16A	259110	Door sprocket assy - 1/2" R/H
	259128	Door sprocket assy - 5/8" R/H
17	259291	Door chain / cable assy
18	223061	Bushing - 1/2"
	223263	Bushing - 5/8"
19	259062	Door hinge bracket - upper - 1/2"
	259197	Door hinge bracket - upper - 5/8"
19A	259070-1	Door hinge bracket - lower - 1/2" R/H
	259070-2	Door hinge bracket - lower - 1/2" L/H
	259198-1	Door hinge bracket - lower - 5/8" R/H
	259198-2	Door hinge bracket - lower - 5/8" L/H
20	227034	Door microswitch
21	228001	Motor 3/4" HP - Dual voltage - 60Hz
22	228023	Electrical power cord
23	228022	Electric receptacle

*** Discontinued Model
Replacement parts still available**

U.S. PHOENIX 900 Series Convection Oven

Item No	Part No	Description
24	223265	Adjustable legs (each)
	223007-1	Casters - non-locking brake (each) - Optional
	223007-2	Casters - locking brake (each) - Optional
25	227051	Transformer - Not available - See Conversion kit
	227033	Obsolete transformer - See Conversion kit
26	228000	Terminal block
27	228027	Relay (Guardian)
28	228199	Resistor - 400 ohm - 10 watts
29	227025	Thermostat/Electric - "KX" type
29A	224065	Dial only - Thermostat
30	228006-1	Fan switch - manual
31	228006-2	Oven light switch
32	229007-1	Indicator light (Red)
33	228037-2	Indicator light (Amber)
34	228028	Pressure switch
35	259126-1	Wiring cover plate
36	259116	Control panel assy - BLK
	259116-1	Control panel assy - S/S
37	259039	Capillary bulb holder
38	228052-4	Pressure regulator - NAT - 6" WC
	228052-14	Pressure regulator - LP - 10" WC
39	227032	Manual shut-off valve
	224002	Knob - Manual shut off valve
40	227029-1	Pilot solenoid - electric ignition
41	227029-2	Burner solenoid - elec & man ignition
42	227036	Pilot "B" valve - manual ignition
43	221036-17	Pilot tubing - 3/16" steel
44	259290-1	Burner tubing - 3/8" aluminum
45	227035	Orifice elbow - Oven burner
	223242-34	Oven burner orifice - NAT
	223242-49	Oven burner orifice - LP

***Quantities vary depending on model number**

*** Discontinued Model
Replacement parts still available**

**U.S. PHOENIX
900 Series
Convection Oven**

Item No	Part No	Description
46	223076	Trailer pilot orifice elbow
	227048-85	Trailer pilot orifice - NAT - Before 11-15-84
	227048-92	Trailer pilot orifice - LP
	223173	Trailer pilot orifice elbow
	227048-5	Trailer pilot oriifce - NAT - After 11-15-84
	227048-2	Trailer pilot orifice - LP
47	259078-2	* Oven burner assy - L/H
	259078-1	* Oven burner assy - R/H
	223005-7	Air shutter w/screw - R/H or L/H burner
48	259095	Trailer pilot assy - obsolete - See kit below
	259280	Trailer pilot assy
	227030	Pilot burner - Electric ignition only
	259085	Pilot burner mounting bracket - Elec. ign. - Obsolete
	227044	Obsolete pilot burner
	259084	Pilot burner mounting bracket - man ignition
	227048-85	Pilot orifice - NAT - man or electric ignition
	227048-92	Pilot orifice - LP - man or electric ignition
49	227052	Obsolete - glo-coil - See Conversion kit
	228029	Obsolete glo-coil
50	227027	Flame switch - Electric ignition
	227027-1	Flame switch - man ignition - includes pilot burner
51	259026-1	Combustion chamber baffle - R/H
	259026-2	Combustion chamber baffle - L/H
52	228008	Oven timer - obsolete - Not available
52A	224064	Oven timer knob - obsolete - Not available

**Note: Item 47 must be ordered as a set
NOT SOLD SEPERATELY**

*** Discontinued Model
Replacement parts still available**

**U.S. PHOENIX
900 Series
Convection Oven**

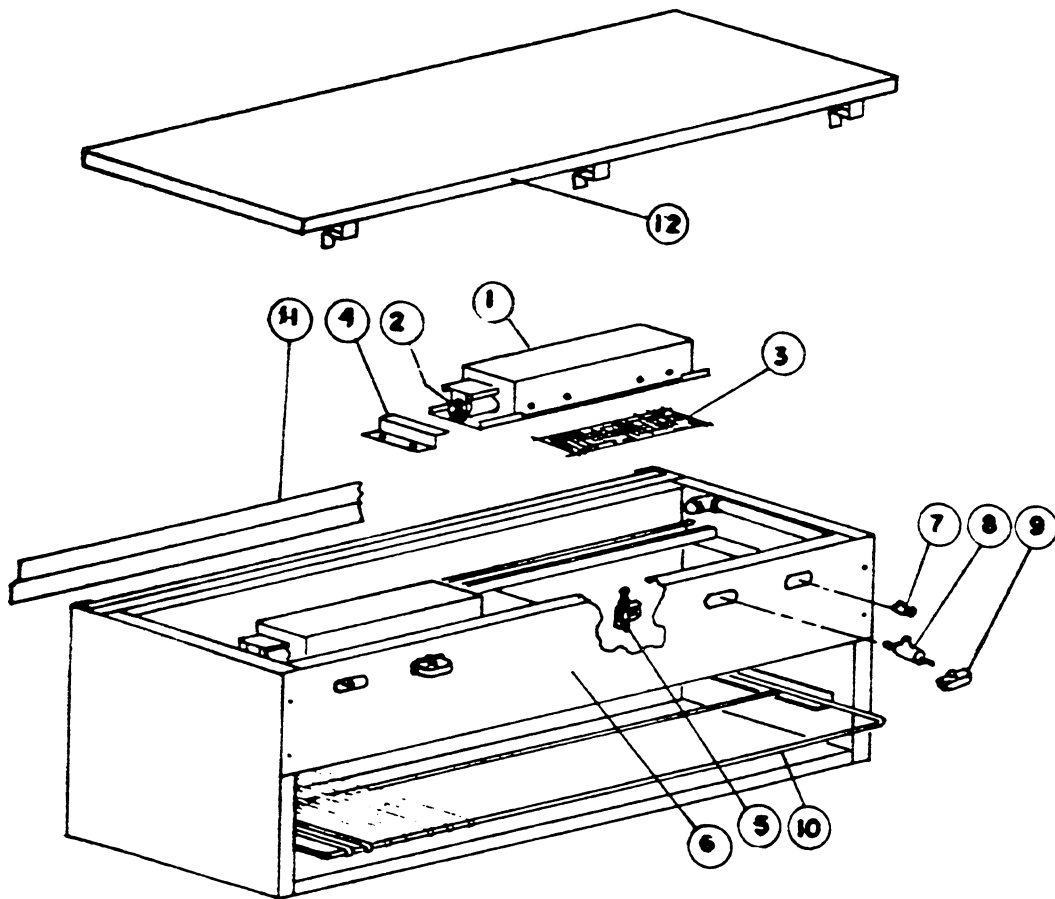
1	259199	Conversion kit (Electronic to manual ignition)
1 each	259294	Pipe nipple
1 each	227036	Pilot "B" valve
1 each	227027-1	Flame switch
1 each	259175-1	Wiring diagram
1 each	259092	Drawing - Gas control layout - Manual

2	259280-SKN	Trailer pilot kit - NAT
1 each	259280	Trailer pilot assy
1 each	223173	Trailer pilot elbow
1 each	227048-5	Trailer pilot orifice - NAT

3	259280-SKP	Trailer pilot kit - LP
1 each	259280	Trailer pilot assy
1 each	223173	Trailer pilot elbow
1 each	227048-2	Trailer pilot orifice - LP

* Discontinued Model
Replacement parts still available

U.S. REGAL IRCM Series Infrared Cheesemelter



*** Discontinued Model
Replacement parts still available**

U.S. REGAL IRCM Series Infrared Cheesemelter

Item No	Part No	Description							
			24	36	48	72	96	120	144
1	222011-1	Infrared burner - 18 3/4" x 5"	1		2	3	4	5	6
	222011-2	Infrared burner - 29 1/2" x 5"		1					
2	227097	90 orifice elbow	1	1	2	3	4	5	6
	227061-48	Orifice elbow assy - NAT	1		2	3	4	5	6
	227061-54	Orifice elbow assy - LP	(OPTIONAL)						
	227061-43	Orifice elbow assy - NAT		1					
	227061-51	Orifice elbow assy - LP	(OPTIONAL)						
	227059-48	Orifice only - NAT	1		2	3	4	5	6
	227059-54	Orifice only - LP	(OPTIONAL)						
	227059-43	Orifice only - NAT		1					
	227059-51	Orifice only - LP	(OPTIONAL)						
3	228127-7	Burner screen - 4" x 16"	1		2	3	4	5	6
	228128	Burner screen - 4" x 26"		1					
4	253073-2	Burner holder	1	1	2	3	4	5	6
5	227041	Pilot burner	1	1	2	3	4	5	6
	223180	Pilot orifice - N/G or LP	1	1	2	3	4	5	6
	221035-6	Pilot tubing	1	1	2	3	4	5	6
6	253070-1	Valve cover 24"	1						
	253070-2	Valve cover 36"		1					
	253070-3	Valve cover 48"			1				
	253070-5	Valve cover 72"				1			
	253070-7	Valve cover 96"					1		
	253070-9	Valve cover 120"						1	
	253070-11	Valve cover 144"							1
7	227199	Pilot valve - Adj.	1	1	2	3	4	5	6
8	227005	Burner valve	1	1	2	3	4	5	6
9	224015	Burner valve knob - BLK	1	1	2	3	4	5	6

*** Discontinued Model
Replacement parts still available**

**U.S. REGAL
IRCM Series
Infrared Cheesemelter**

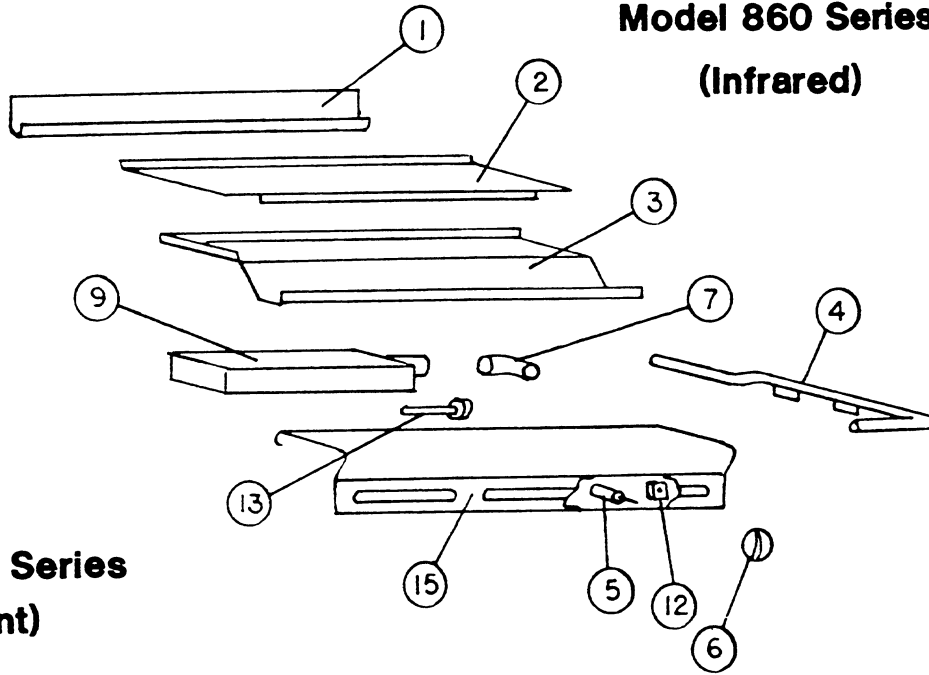
Item No	Part No	Description								
			24	36	48	72	96	120	144	
10	226004	Wire shelf - 13" x 21 1/2"	1							
	226010	Wire shelf - 13" x 33 1/2"		1						
	226005	Wire shelf - 13" x 45 1/2"			1					
	226006	Wire shelf - 13" x 69 1/2"				1				
	226007	Wire shelf - 13" x 93 1/2"					1			
	226008	Wire shelf - 13" x 117 1/2"						1		
	226015	Wire shelf - 13" x 141 1/2"								1
11	252370-1	Wall mounting bracket - 24"	1		2	2	3	3	4	
	253370-2	Wall mounting bracket - 36"		1						
12	253165-1	Top cover - 24"	1							
	253165-2	Top cover - 36"		1						
	253165-3	Top cover - 48"			1		2			
	253165-4	Top cover - 72"				1				2
	253165-5	Top cover - 60"							2	
**	228052-13	Pressure regulator - 3/4" NAT	1	1	1	1	1	1	1	1
	228052-14	Pressure regulator - 3/4" LP	(OPTIONAL)							

****Item not shown on drawing**

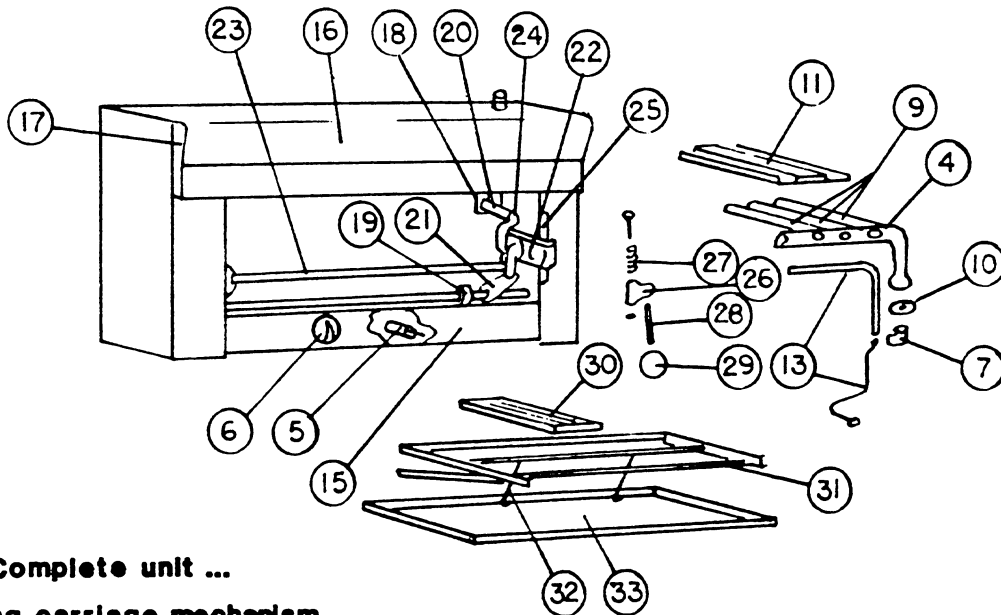
U.S. CUISINE
Salamander Broilers

*** Discontinued Model**
Replacement parts still available

Model 860 Series
(Infrared)



Model 836-60 Series
(Radiant)



Complete unit ...
... showing carriage mechanism
common to all broilers

*** Discontinued Model
Replacement parts still available**

U.S. CUISINE Salamander Broilers

Item No	Model Number		Description
	Part No	Part No	
	860 (Infrared)	836-60 (Radiant)	
1	253370-2	253370-2	Wall mounting bracket - 36"
2	261040	261040-2	Top outer cover
3	261022		Combustion chamber cover
4	261048-4		Manifold assy
		251777-3	Burner assy - R/H
		251777-4	Burner assy - L/H
5	227005	227005	Burner valve
5A	223078		Adapter
6	224002	224002	Burner valve knob
7	227058	223000	90 orifice elbow fitting
8	227059-40	223242-54	Burner orifice - NAT
	227059-54	223242-64	Burner orifice - LP
9	222086		Burner - infrared - 23 1/8" x 9"
		251316-1	Burner tube
10		223003	Air shutter
11		251260-1	Radiant - center - four per unit
		251260-2	Radiant - R/H end - one per unit
		251360-3	Radiant - L/H end - one per unit
12	227199	227199	Pilot valve - Adj.
13	227023		Pilot burner - NAT
	227023-1		Pilot burner - LP
		251253-1	Pilot tubing assy - R/H
		251253-2	Pilot tubing assy - L/H
		251261-1	Trailer pilot assy - R/H
		251261-2	Trailer pilot assy - L/H
14		223119-62	Trailer pilot orifice - NAT
		223119-76	Trailer pilot orifice - LP
15	261036	251252-2	Valve cover
16		251246-2	Top rail
17	222045-1	222045-1	Rim roll bracket - R/H
	222045-2	222045-2	Rim roll bracekt - L/H

*** Discontinued Model
Replacement parts still available**

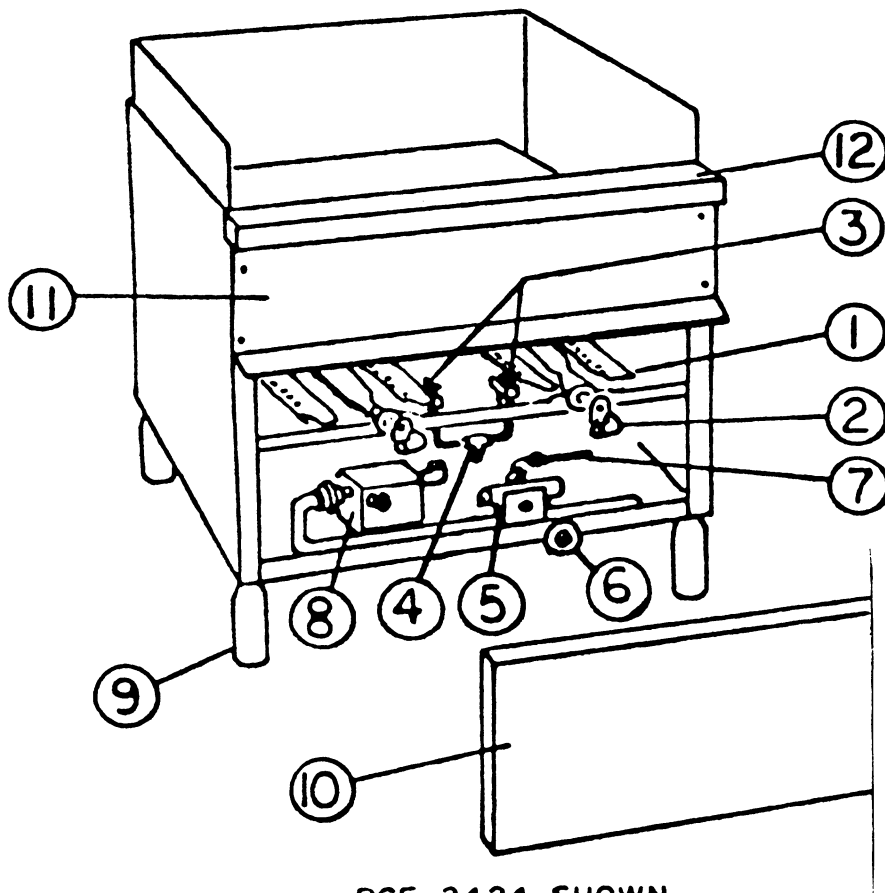
U.S. CUISINE Salamander Broilers

Item No	Model Number		Discription
	Part No	Part No	
	860 (Infrared)	836-60 (Radiant)	
18	222053		Dolly block - top
19	222084		Dolly block - bottom
20	251330		Grid arm - top
21	222055		Grid arm - bottom
22	252242		Grid runner assy - R/H
	251243		Grid runner assy - L/H
23	224017		Grid runner rod
24	224014		Grid spring
25	224013		Grid lock
26	224006		Grid handle
27	224010		Grid handle spring
28	224018		Grid handle rod
29	224019		Grid handle knob
30	222023		Broiler grate - 4" x 14"
31	241245		Grate frame assy
32	251245-1		Grate frame retainer hook
33	251244-2		Drip pan
**	228052-13		Pressure regulator - 3/4" NAT
**	228052-14		Pressure regulator - 3/4" LP

****Item not shown on drawing**

* Discontinued Model
Replacement parts still available

U.S. REGAL
Chicken & Fish Fryer
RCF - 2424 & 2448



RCF-2424 SHOWN

*** Discontinued Model
Replacement parts still available**

**U.S. REGAL
Chicken & Fish Fryer
RCF - 2424 & 2448**

Item No	Part No	Description
1	252336	Main burner
2	223000	90 orifice elbow fitting
	223242-32	Orifice only - NAT
	223242-50	Orifice only - LP
3	227022	Pilot burner - L/H
	227042	Pilot burner - R/H
4	227011	Pilot tee
5	227017	Thermostat - "BJ" type
6	224215	Thermostat - dial only
7	227018-3	Thermocouple
8	227037	Safety pilot valve - NAT
	228135	Gas conversion kit - NAT to LP
9	223024	5" adjustable legs - (each)
10	253110-1	Door - with U.S. Range logo
	253110-2	Door - w/o logo
11	253111-1	Front apron - Model 2424
	253111-2	Front apron - Model 2448
12	253037-1	Front landing ledge - Model 2424
	253037-3	Front landing ledge - Model 2448
**	226034	9" x 23" wire crumb screen

****Item not shown on drawing**

