

# PARTS LIST

**GARLAND**

**UCO - E - 5**

**HALF SIZE ELECTRIC**

**CONVECTION**

**OVEN**

Continuous product improvement is a Garland policy, therefore specifications and design are subject to change without notice.

**GARLAND**®  
A WELBILT Company

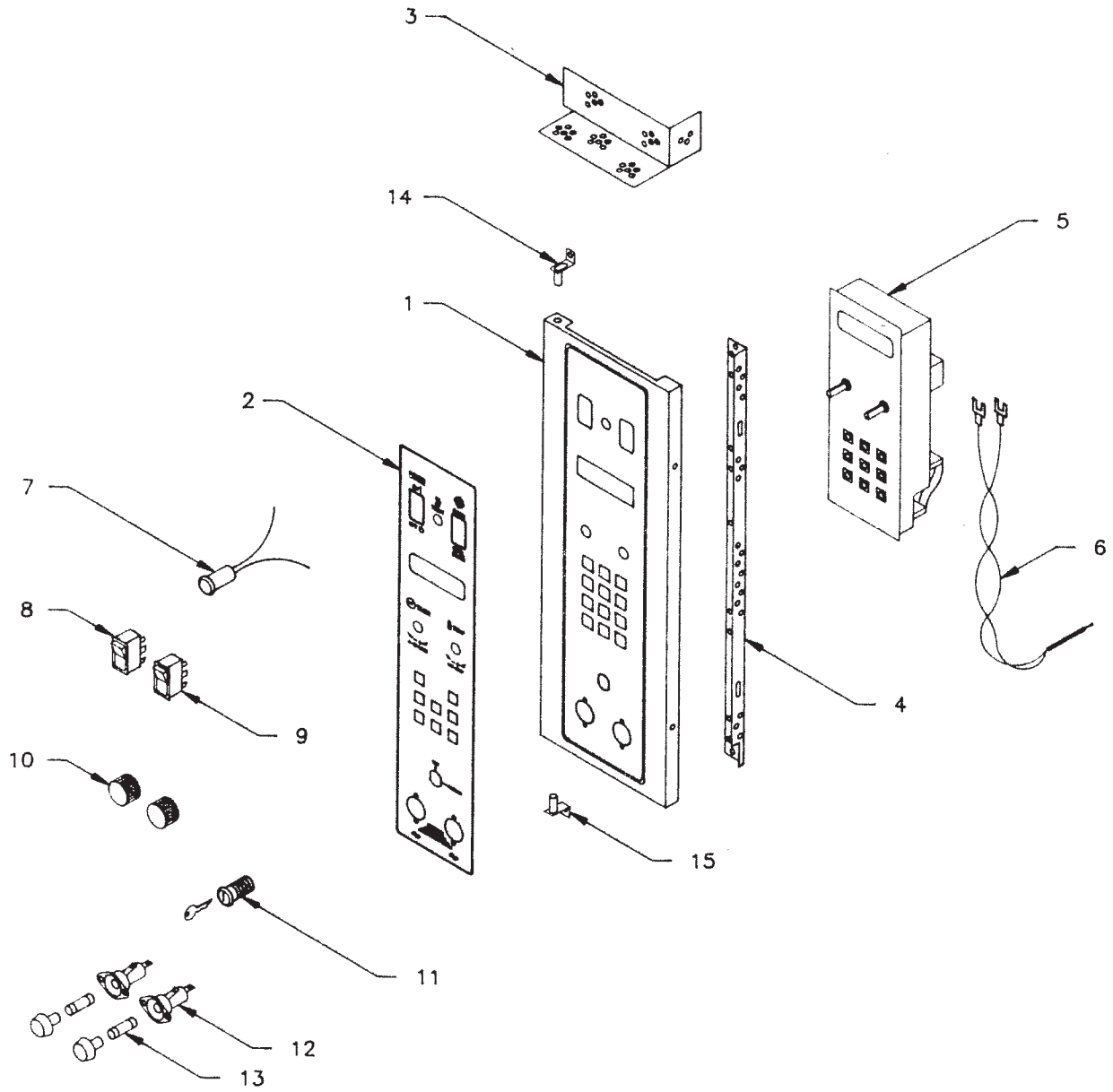
Garland Commercial Industries, Inc.  
Freeland, Pennsylvania 18224

Phone (717) 636-1000  
FAX: (717) 636-3903

GCI-R150

PRICE - \$2.50

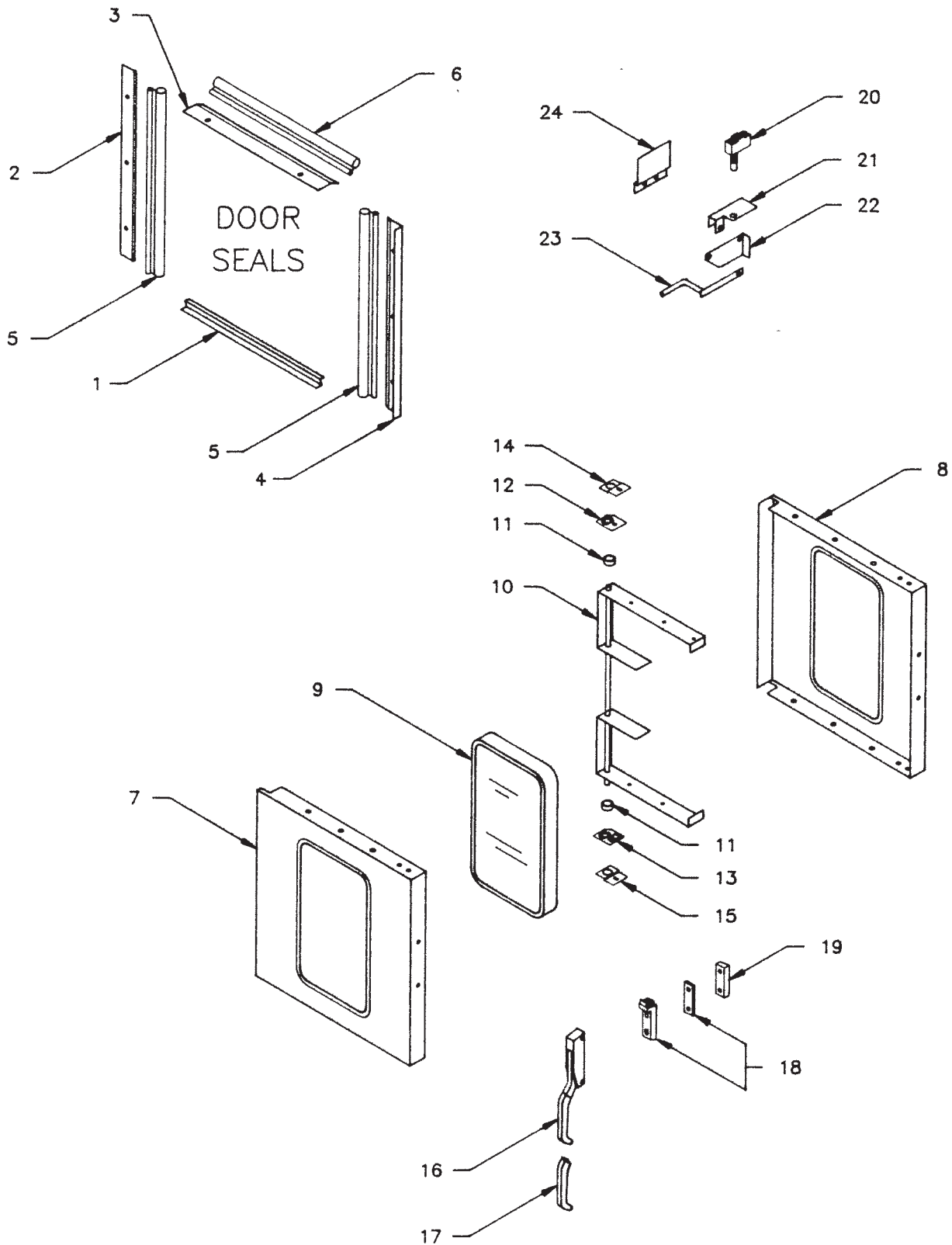
Printed in the U.S.A.  
PSIM5832705



UCO-E-5  
 HALF SIZE ELECTRIC CONVECTION OVEN  
 CONTROL PANELS

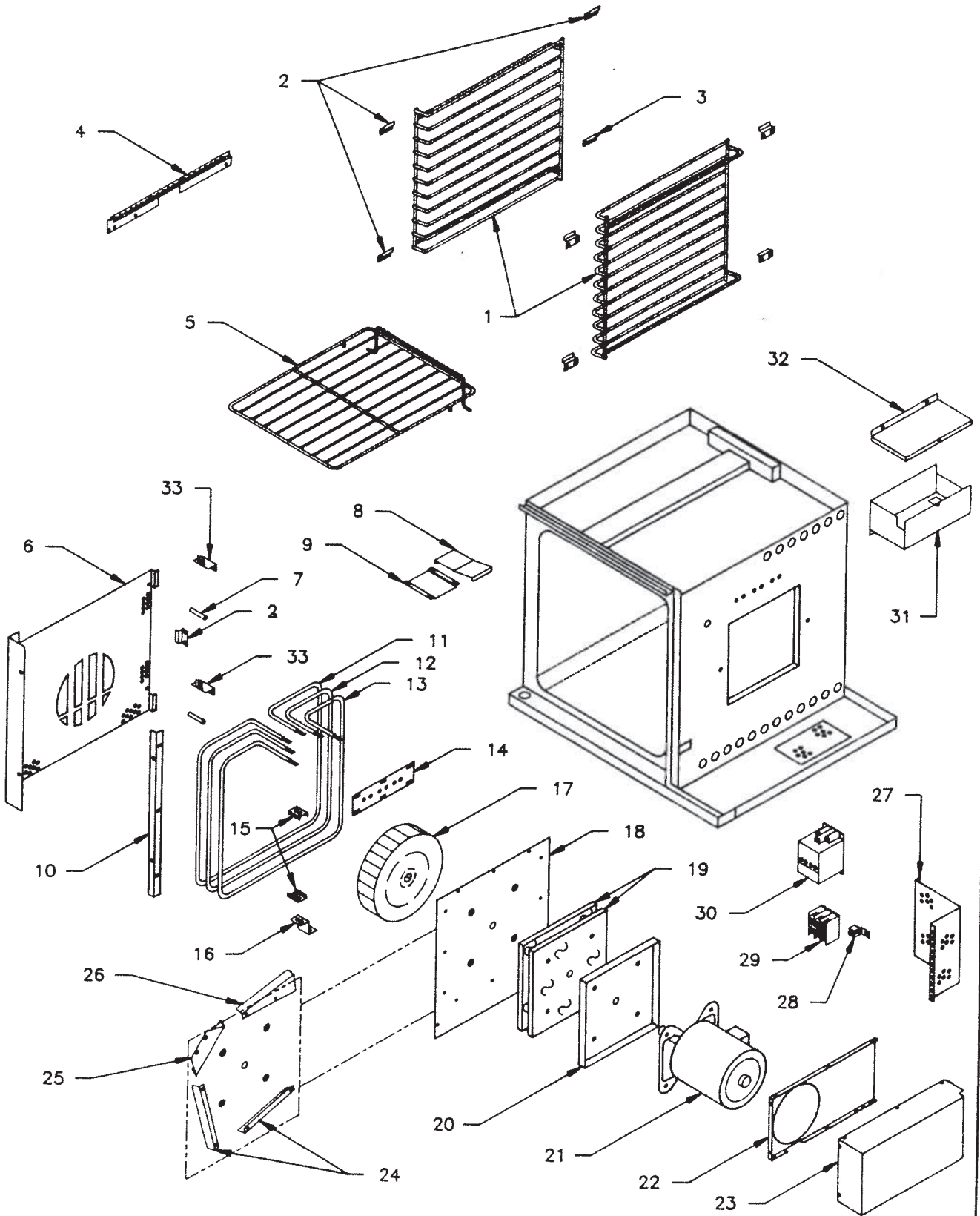
<u>ITEM</u>	<u>PART #</u>	<u>DESCRIPTION</u>	<u>QUANTITY</u>
1	1663099	Control Panel	1
2	1663003	Overlay 2 Button 1 Speed	1
	1663005	Overlay 2 Button 2 Speed	1
	1663007	Overlay 8 Button 1 Speed	1
	1663009	Overlay 8 Button 2 Speed	1
3	1382300	Control Panel Top Frame	1
4	1380600	Control Panel Side Frame	1
5	1517700	Controller 2 Button	1
	1517701	Controller 8 Button <i>NLA *</i>	1
6	9006800	Temperature Probe	1
7	1006498	Pilot Light Amber	1
8	1019209	Rocker Switch	1
9	1019203	Rocker Switch - 1 Speed	1
	1019207	Rocker Switch - 2 Speed	1
10	9007200	Knob with Flush Base	2
11	1516600	Key Lock (8 Button Only)	1
12	1130102	Fuse Holder	2
13	1130103	Fuse SC-20 300V 20 AMP	2
14	1382599	Panel Door Bracket Top	1
15	1382598	Panel Door Bracket Bottom	1

*\* can sub 1517700 with  
 some wiring changes.*



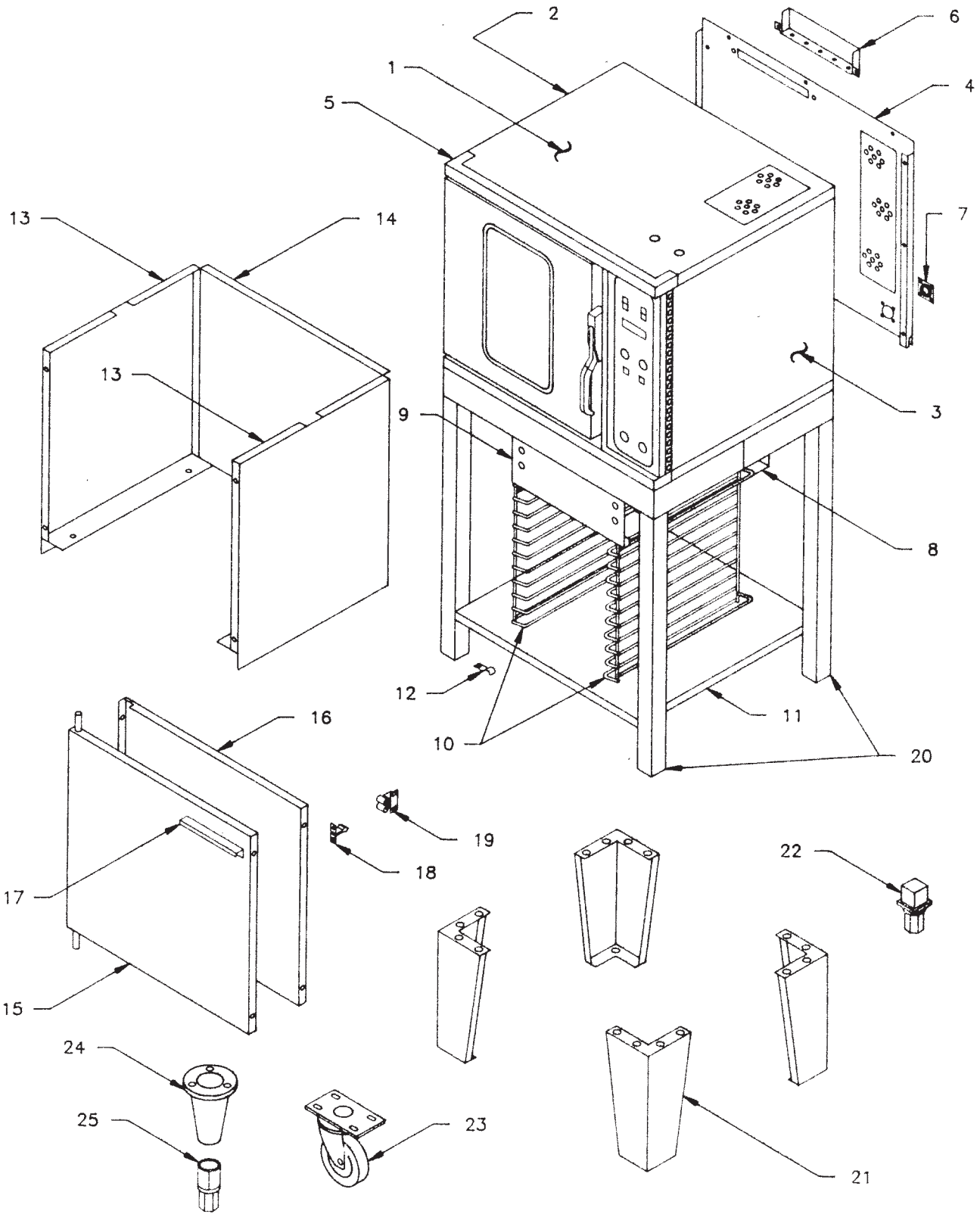
UCO-E-5  
 HALF SIZE ELECTRIC CONVECTION OVEN  
 OVEN DOOR COMPONENTS

<u>ITEM</u>	<u>PART #</u>	<u>DESCRIPTION</u>	<u>QUANTITY</u>
1	1385600	Bottom Door Seal (Tempered)	1
2	1317202	Side Door Seal Support L/H	1
3	1382701	Top Door Seal Support	1
4	1581800	Side Door Seal Support R/H	1
5	1304217	Side Door Seals	2
6	1304216	Top Door Seal	1
7	1582000	Door Panel with Window (Standard)	1
	1582001	Door Panel Solid	1
8	1581999	Door Liner Assy with Window	1
	1581998	Door Liner Assy Solid	1
9	1010999	Oven Door Window	1
10	1380897	Door Frame	1
11	1011201	Steel Tubing Chrome Spacer	2
12	1385499	Hinge Bracket Top Assy	1
13	1385498	Hinge Bracket Bottom Assy	1
14	1385500	Door Bearing Retainer - Top	1
15	1385501	Door Bearing Retainer - Bottom	1
16	1601200	Magnetic Mechanic Latch	1
17	1601201	Black Plastisol Grip	1
18	1601202	Striker Package	1
19	1581700	Door Latch Spacer	1
20	1019600	Door Safety Micro Switch	1
21	1320404	Micro Switch Bracket	1
22	1320405	Activating Bracket	1
23	1320498	Activating Rod Assy	1
24	1322400	Micro Switch Heat Baffle	1
	1721798	Oven Door Assy Comp. Solid	
	1721799	Oven Door Assy Comp. w/Window (Standard)	



UCO-E-5  
 HALF SIZE ELECTRIC CONVECTION OVEN  
 OVEN COMPONENTS

<u>ITEM</u>	<u>PART #</u>	<u>DESCRIPTION</u>	<u>QUANTITY</u>
1	1315700	Rack Guides	2
2	1317600	Rack Guide Clip	9
3	1317601	Rack Guide Hold Down	2
4	1015799	Capillary Tube Guard	1
5	1315800	Oven Rack	5
6	1380303	Air Baffle - Enameled (Standard)	1
	1380302	Air Baffle - Continuous Clean (Optional)	1
7	1678800	Spacers	2
8	1300900	Vent Cover	1
9	1300901	Vent Slide	1
10	1379700	Baffle Bracket	1
11	9001100	Rear Element 208V 2.5 KW	1
	9001103	Rear Element 240V 2.5 KW	1
12	9001101	Center Element 208V 2.5 KW (For 7.5KW Units Only)	1
	9001104	Center Element 240V 2.5 KW (For 7.5KW Units Only)	1
13	9001102	Front Element 208V 2.5 KW	1
	9001105	Front Element 240V 2.5 KW	1
14	1379402	Element Cover - 5 KW 2 Elements	1
	1379403	Element Cover - 7.5 KW 3 Elements	1
15	1379200	Element Bracket	16
16	1379201	Element Support Bracket	2
17	1025302	Blower Wheel	1
18	1589801	Motor Cover Plate	1
19	1012100	Motor Mount Marinite (Insulation)	2
20	1379800	Motor Mounting Plate	1
21	1686703	Motor - 1 Speed	1
	1686702	Motor - 2 Speed	1
22	1365201	Motor Air Plenum Cover	1
23	1365200	Motor Air Plenum	1
24	1393400	Air Vane	2
25	1393402	Air Vane	1
26	1393401	Air Vane	1
27	1380500	Terminal Block Mounting Bracket	1
28	1028400	Ground Lug	1
29	1193900	Terminal Block	1
30	9005400	Mercury Contactor	1
31	1365300	Element Box	1
32	1365301	Element Box Cover	1
33	1383700	Baffle Bracket Clip	2





UCO-E-5  
 HALF SIZE ELECTRIC CONVECTION OVEN  
 MAIN EXTERIOR COMPONENTS

<u>ITEM</u>	<u>PART #</u>	<u>DESCRIPTION</u>	<u>QUANTITY</u>
1	1381399	Main Top Black	1
	1381398	Main Top SS	1
2	1381400	Body Side L/H Black	1
	1381402	Body Side L/H SS	1
3	1381401	Body Side R/H Black	1
	1381403	Body Side R/H SS	1
4	1381598	Main Back	1
	1381599	Main Back SS	1
5	1385300	Main Top Front Veneer SS	1
6	1380200	Flue Box	1
7	1032500	Knock Out Plate	1
8	1385804	Back Rack Guide Support (Cabinet/Open Base)	1
	1385805	Back Rack Guide Support SS (Cabinet/Open Base)	1
9	1385806	Front Rack Guide Support (Cabinet/Open Base)	1
	1385807	Front Rack Guide Support SS (Cabinet/Open Base)	1
10	1315700	Rack Guide (Cabinet/Open Base)	2
11	1385808	Bottom Shelf (Cabinet/Open Base)	1
	1385809	Bottom Shelf SS (Cabinet/Open Base)	1
12	1016800	Rack Guide Clip SS (Cabinet/Open Base)	4
13	1385810	Side Panel Lt/Rt (Cabinet Base Only)	2
	1385811	Side Panel Lt/Rt SS (Cabinet Base Only)	2
14	1385812	Back Panel (Cabinet Base Only)	1
	1385813	Back Panel SS (Cabinet Base Only)	1
15	1385897	Door Panel (Cabinet Base Only)	1
	1385896	Door Panel SS (Cabinet Base Only)	1
16	1385816	Door Liner (Cabinet Base Only)	1
	1385817	Door Liner SS (Cabinet Base Only)	1
17	1083205	Door Handle (Cabinet Base Only)	1
18	1083100	Door Strike (Cabinet Base Only)	1
19	1083400	Door Catch (Cabinet Base Only)	1
20	1385899	Front/Rear Sleeve Leg Assy (Cabinet/Open Base)	2
	1385898	Front/Rear Sleeve Leg Assy SS (Cabinet/Open Base)	2
21	1056211	14" Leg Black (Double Stack Units Optional)	4
	1056214	14" Leg SS (Double Stack Units Optional)	4
22	1236101	2" Square Foot Insert (Cabinet/Open Base)	4
23	1027800	Swivel Caster without Brake (Optional)	2
	1027801	Swivel Caster with Brake (Optional)	2
24	1027603	Leg Retainer (Standard)	4
25	1150501	Bullet Foot (Standard)	4

NOTE: CASTERS ARE FOR SINGLE UNITS ONLY AND  
CANNOT BE ADDED IN THE FIELD.