

PARTS LIST

GARLAND

TRENDSETTER GAS CONVECTION OVENS



Continuous product improvement is a Garland policy, therefore specifications and design are subject to change without notice.

GARLAND

Garland Commercial Industries, Inc.
Freeland, Pennsylvania 18224

Phone (717) 636-1000
Telex 887610

A **WELBIT** Company

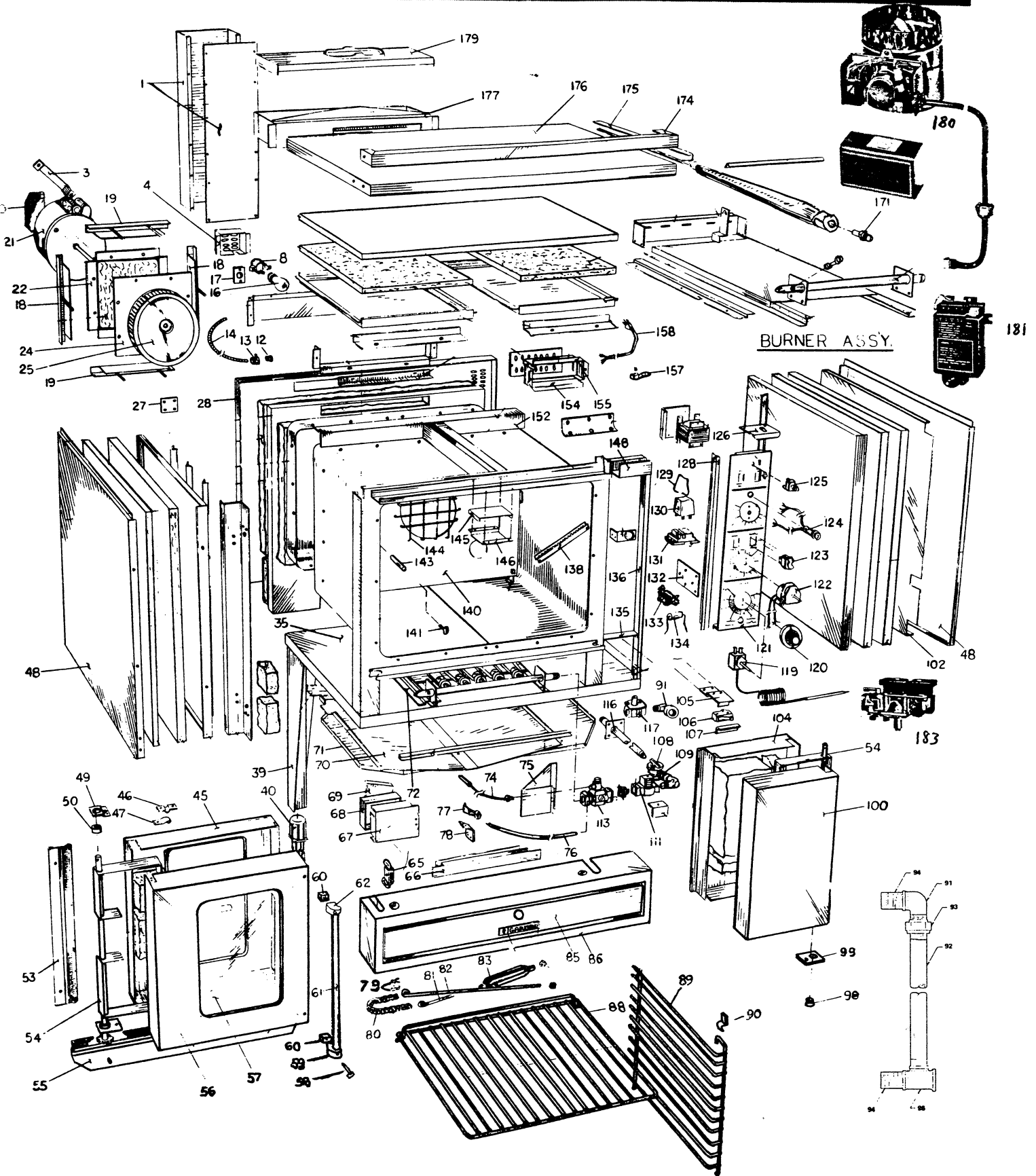
Form GCI-R103R-2

PRICE - \$2.50

PSIM5832705

GARLAND

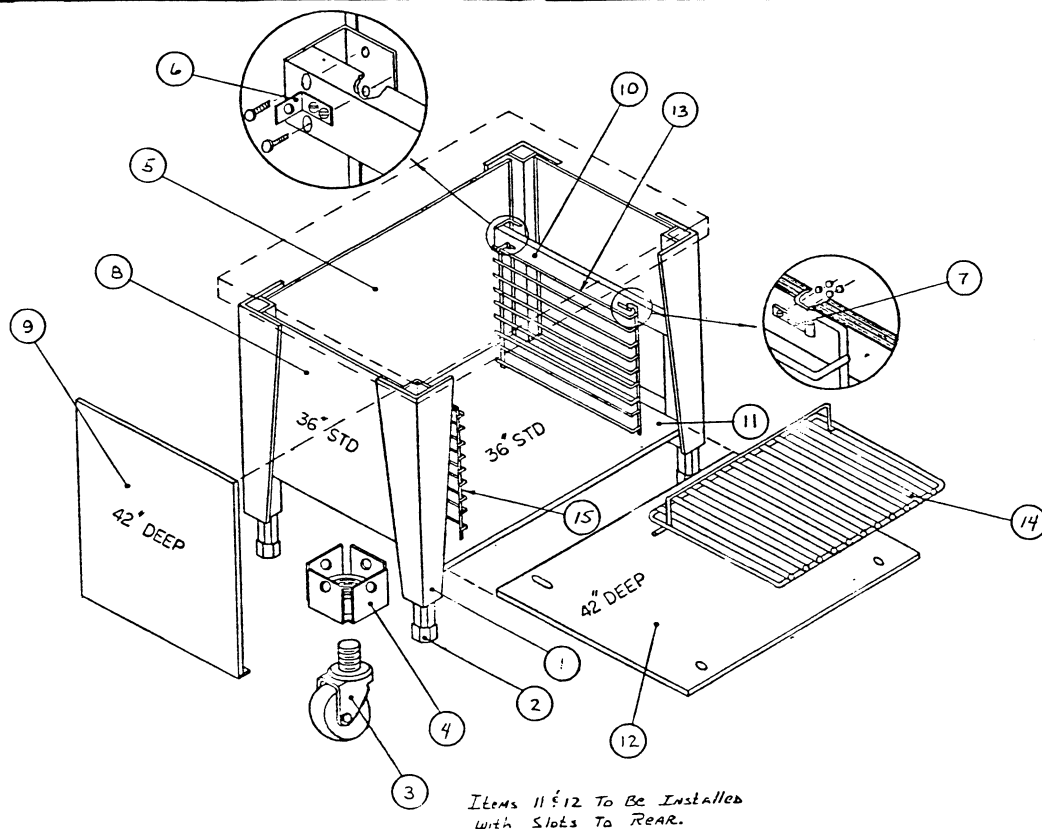
GAS CONVECTION OVEN MODELS TG3, TG4, TTG3, TTG4



ITEM #	PART NO.	DESCRIPTION	TG3	TG4
1	1015287	Flue Riser - Double Oven Only	1	1
3	1301700	Motor Wall Spacer	1	1
4	1014809	Light Box	1	1
8	1025800	Light Socket	2	2
12	1029600	Anti-Short	5	5
13	1028501	BX Straight Connector	5	5
14	1029430	BX Cable 7/16 X 30"	2	2
16	1026050	Lamp Bulb	2	2
17	1025900	Light Socket Gasket	2	2
18	1012498	Motor Mount Brace Assembly - Sides	2	2
19	1012499	Motor Mount Brace Assembly - Top and Bottom	2	2
20	1176400	Motor Screen Cover	1	1
	1003099	Motor Assembly - With Blower Wheel	1	1
21	1003000	Motor 3/4 HP 115V	1	1
	1003003	Motor 3/4 HP 115V - CH Models Only		
	1003010	Capacitor (Replacement on Motor)		
22	1012000	Motor Mount	1	1
24	1011906	Motor Mount plate	1	1
25	1025302	Blower Wheel Assembly	1	1
27	1303200	Rear Securing Plate	1	1
	1302500	Support Angle (for Double Ovens Only)	2	2
28	1014710	Main Back	1	1
35	1300096	Main Bottom Assembly - Standard	1	-
	1300099	Main Bottom Assembly - Deep	-	1
39	1300798	Leg Assembly 28" with Square Foot Insert	4	4
	1300799	Leg Assembly 8" (for Double Ovens Only) with Square Foot Insert	4	4
40	1236101	Square Foot Insert	4	4
45	1011799	Door Liner Assembly - Left Hand with Window	1	1
46	1021902	Door Catch - Stainless Steel 1" Wide (Prior February 1985)	1	1
	1021904	Door Catch - Spring Type 1 3/4" Wide (Not Interchangeable)	1	1
47	1021901	Door Catch - Spring Type (Prior February 1985)	1	1
	1021903	Door Catch - Spring Type 1 3/4" Wide (Not Interchangeable)	1	1
48	1300504	Main Side GG	2	-
	1300502	Main Side - Deep	-	2
49	1302800	Bearing Retainer	2	2
50	1011201	Door Spacer	2	2
53	1019997	Side Door Seal Assembly - Obs/Not Avail. (Prior to 4/7/83)	2	2
	1304201	Side Seal - Stainless Steel	2	2
	1304210	Gasket Seal - Fiberglass	2	2
54	1011899	Door Frame Assembly	2	2
55	1019999	Top & Bottom Seal Assembly - Obs/Not Avail (Prior to 4/7/83)	2	2
	1304202	Top Seal Only - Bottom not required - Stainless Steel	1	1
	1304211	Top and Bottom Seal Gasket Seal	2	2
	1029279	Left Door Assembly (With Window)	1	1
56	1011605	Door Panel - Left Hand (With Window)	1	1
57	1010999	Oven Door Window	1	1
58	1120002	1/4 - 20 X 3" Allen Head Screw	2	2
59	1016701	Oven Door Handle End - Bottom	1	1
60	1016703	Oven Handle Spacer	2	2
61	1016700	Oven Door Handle	1	1
62	1016702	Oven Door Handle End - Top	1	1
65	1020101	Magnetic Door Catch	2	2
66	1265499	Center Air Shield Assembly	1	1
67	1265201	Outer Insulation Pocket	2	2
68	1265200	Inner Insulation Pocket	2	2
69	1265700	Fireplate Support Angle	2	2
70	1013400	Fireplate	1	-
	1013401	Fireplate - Deep	-	1
	1297199	Fireplate Support	2	2
71	1301600	Base Heat Shield	1	1
72	1265599	Burner Package Assembly - Natural	1	1
	1265598	Burner package Assembly - Propane	1	1
	1265595	Burner Package Assembly - Natural - X Model Only	1	1
	1265593	Burner Package Assembly - Propane - X Model Only	1	1
74	1019418	Thermocouple I8"	1	1
	1269701	Pilot Sensing Probe Y75 (Venco Only)	1	1
	1269703	Pilot Sensing Probe Y75 (Venco Only)	1	1
	1330201	Ceramic Rod (Venco Only)	1	1
75	1264900	TS11 Heat Deflector	1	1
76	1028720	1/4" Tubing (TS11 to Pilot)	1	1
77	1028289	Pilot Assembly - Natural	1	1
	1028220	Pilot 3CH-4	1	1
	1028202	Orifice #18	1	1
	1269700	Pilot Burner (Venco Only)	1	1
	1269702	Pilot Orifice Natural (Venco Only)	1	1
	1019503	Reducer Ferrule	1	1
	1019504	Compression Nut	1	1

ITEM #	PART NO.	DESCRIPTION	TG3	TG4
78	1028288	Pilot Assembly - Propane	1	1
	1028220	Pilot 3CH-4	1	1
	1028203	Orifice #10	1	1
	1269700	Pilot Burner (Venco Only)	1	1
	1269704	Pilot Orifice LP (Venco Only)	1	1
	1019503	Reducer Ferrule	1	1
	1019504	Compression Nut	1	1
	1264810	Pilot Bracket	1	1
	1270100	Pilot Bracket (Venco Only)	1	1
	79	1021299	Connecting Link Assembly	4
80	1021100	Roller Chain No. 40	2	2
81	1014201	Left Door Rod - Long	2	2
82	1014200	Right Door Rod - Short	2	2
83	1015000	Turnbuckle	2	2
85	1301803	Combustion Chamber Door	1	1
86	1301898	Combustion Chamber Front Assembly	1	1
88	1012600	Oven Rack Assembly	5	-
89	1012700	Oven Rack Assembly - Deep	-	5
	1012505	Rack Guide Assembly - Right Hand -(Obsolete - Prior 8/85)	1	-
	1315700	Rack Guide Assembly Right Hand	1	-
	1012504	Rack Guide Assembly Left Hand -(Obsolete - Prior 8/85)	1	-
	1315700	Rack Guide Assembly Left Hand	1	-
	1012507	Rack Guide Assembly Right Hand - Deep (Obsolete Prior 8/85)	-	1
	1315701	Rack Guide Assembly Right or Left Hand - Deep	-	2
	1012506	Rack Guide Assembly Left Hand - Deep (Obsolete Prior 8/85)	-	1
	1317600	Clip Rack Guide - New Style	6	6
	1016800	Clip Rack Guide (Used Prior 8/85)	2	2
91	1026735	90° Street Elbow 3/4" NPT (for Double Oven Quantity 2 required)	1	1
92	1004677	Connecting Pipe - for Double Oven Only	1	1
93	1026905	Union 3/4" NPT - for Double Oven Only	1	1
94	1004660	Pipe Nipple 3/4" NPT - for Double Oven Only	2	2
96	1027108	Tee 3/4" NPT to 1" NPT	1	1
98	1011203	Door Rod Bushing	2	2
99	1010599	Hinge Bracket Assembly	2	2
	1029278	Right Door Assembly Compelte	1	1
100	1011402	Door Panel Right Hand	1	1
102	1300800	Partition Side - Standard	1	-
	1300801	Partition Side - Deep	-	1
104	1011502	Right Door Liner	1	1
105	1301507	Micro Switch Bracket	1	1
106	1019600	Micro Switch	1	1
107	1301302	Micro Switch Activator Assembly	1	1
108	1265900	Gas Shut Off Valve	1	1
109	1004620	Close Nipple 1/2 NPT	1	1
111	1027300	Solenoid Valve (120V coil)	1	1
113	1027001	TS11J Safety Valve	1	1
116	1302197	Tail Pipe Assembly	1	-
	1302198	Tail Pipe Assembly - Deep	-	1
117	1019010	Regulator (Natural)	1	1
	1019011	Regulator (Propane)	1	1
119	1032400	Oven Thermostat - 200°F to 500°F	1	1
	1230601	Oven Thermostat - 100°F to 250°F (cor CH Models Only)	1	1
	1314001	Dial	2	2
	1314121	Dial Insert	2	2
	1303005	Control Panel	1	1
	1303007	Control Panel (CH Models Only)	1	1
	1285700	60 Minute Timer (115V, 50/60 HZ)	1	1
	1285600	12 Hour Timer - CH Models Only (115V, 50/60 HZ)	1	1
123	1019203	ROCKER SWITCH TG MODELS Power (On-Off S.P.S.T.)	1	1
	1019209	Fan - Cook/Cool Down (On-On D.P.D.T.)	1	1
		COOK 'N HOLD MODELS		
	1019207	Cook/Cool Down (On-Off-On D.P.D.T.)	1	1
	1019209	Hi/Lo Fan (On-On D.P.D.T.)	1	1
	1019209	Timer/Untimed (On-On D.P.D.T.)	1	1
	1019204	Buzzer/Hold (On-Off-On S.P.D.T.)	1	1
		TG MODELS WITH 2 SPEED MOTOR		
	1019207	Cook/Cool Down (On-Off-On D.P.D.T.)	1	1
	1019209	Hi/Lo Fan (On-On D.P.D.T.)	1	1

ITEM #	PART #	DESCRIPTION	TG3	TG4
124	1006489	Pilot Lamp Assembly - Green	1	1
	1006496	Pilot Lamp Assembly - Amber	1	1
	1006490	Pilot Lamp Assembly - White - CH Models Only	1	1
	1270000	Amber Pilot Lamp (Venco Only)	1	1
125	1181000	Momentary Push Button Switch	1	1
126	1301400	Handle	1	1
128	1300200	Control Panel Side - Left	1	1
	1300201	Control Panel Side - Right	1	1
129	1252400	Relay Mounting Spring - CH Models Only	1	1
130	1244501	Relay (120V Coil) - CH Models Only	1	1
131	1244600	Relay Socket - CH Models Only	1	1
134	1252100	Capacitor - CH Models Only	1	1
135	1301099	Control Panel Support Assembly	1	1
136	1300400	Side Brace	1	1
138	1015799	Capillary Tube Guard Assembly	2	2
140	1010297	Air Baffle Assembly GCE	1	1
141	1031901	Thumbscrew	4	4
143	1014400	Air Baffle Spacer	4	4
144	1014500	Blower Inlet Cover	1	1
145	1300901	Vent Slide	1	1
146	1300900	Vent Slide Housing	1	1
148	1300300	Top Brace	1	1
152	1267700	Back Vent Angle	1	1
154	1014813	Junction Box - Bottom	1	1
155	1014812	Junction Box - Top	1	1
157	1028400	Ground Lug	1	1
158	1029501	Cord and Plug	1	1
171	1265548	Burner Orifice #48 DMS - Natural	5	5
	1265556	Burner Orifice #56 DMS - Propane	5	5
	1265544	Burner Orifice #44 DMS - Natural - X Model	5	5
	1265555	Burner Orifice #55 DMS - Propane - X Model	5	5
	1265515	Burner with Air Shutter	5	5
174	1301100	Main Top Veneer	1	1
175	1302600	Side Top Veneer - Standard (Optional)	2	-
	1302601	Side Top Veneer - Deep	-	2
176	1300603	Main Top Standard	1	-
	1300601	Main Top Deep	-	1
177	1014099	Flue Box Assembly - Single Oven	1	1
	1015299	Flue Box Assembly - Top Deck (Double Oven Only)	1	1
	1026941	Union Elbow	1	1
		OPTIONAL		
	1300794	Caster leg Assembly - 22" (Single Oven)	4	4
	1302099	Caster Pad Weld Assembly (Double Oven)	4	4
	1027500	Caster without Brake	2	2
	1027501	Caster with Brake	2	2
		FOR REAR ENCLOSURES		
	1303300	Body Side Extension GG	2	2
	1303301	Body Side Extension SS	2	2
	1303302	Back Cover Plate GG	1	1
	1303303	Back Cover Plate SS	1	1
		DIRECT VENTING		
179	1190299	Flue Hood Assembly GG - Double Oven		
	1190101	Draft Diverter 8" - Double Oven		
	1190298	Flue Cap Assembly - Single Oven		
	1190100	Draft Diverter 6" - Single Oven		
	1008997	Draft Diverter GG - for Canopy Venting - Single or Double Oven		
	1008996	Draft Diverter SS - for Canopy Venting - Single or Double Oven		
		VENCO		
180	1302700	Vent Damper	1	1
	1302701	Damper Cable	1	1
	1269598	Flue Box Cap Assembly	1	1
	1269599	Flue Box Assembly	1	1
	1269502	Vent Damper Heat Shield	1	1
	1269520	Damper Shield SS	1	1
	1269521	Damper Shield SS (Double Oven)	1	1
181	1269600	Spark Ignition Control Natural	1	1
	1269601	Spark Ignition Control LP	1	1
	1269499	Spark Control Bracket Assembly	1	1
	1369800	Transformer 24V	1	1
183	1302400	Redundant Combination Gas Valve Natural	1	1
	1270299	Propane Conversion Kit	1	1



REF #	PART #	DESCRIPTION	QUANTITY
1	1300798	28" Leg Assembly with Foot Insert GG	4
	1300796	28" Leg Assembly with Foot Insert SS	
2	1236101	2" Square Foot Insert	4
3	1027500	Heavy Duty Swivel Caster - Optional	2
	1027501	Heavy Duty Swivel Caster with Brake - Optional	2
4	1303598	Caster Pad SS Optional	4
	1303599	Caster Pad GG Optional	4
	1300795	Leg Assembly with Caster SS Optional	4
	1300794	Leg Assembly with Caster GG Optional	4
5	1303802	Cabinet Base Back GG	1
	1303803	Cabinet Base Back SS Optional	
6	1317600	Rack Guide Clip	4
7	1016800	Rack Guide Clip SS	4
8	1303806	Cabinet Base Side SS Std.	2
	1303807	Cabinet Base Side GG Std.	2
9	1303804	Cabinet Base Side SS Deep	2
	1303805	Cabinet Base Side GG Deep	2
10	1303600	Upper Rack Support Side Std. GG	2
	1303601	Upper Rack Support Side Std. SS	2
	1303602	Upper Rack Support Side Deep GG	2
	1303603	Upper Rack Support Side Deep SS	2
11	1303700	Lower Rack Support Std. GG	1
	1303701	Lower Rack Support Std. SS	1
12	1303702	Lower Rack Support Deep GG	1
	1303703	Lower Rack Support Deep SS	1
13	1012505	Right Hand Rack Guide Std. (Obsolete - Prior 8/85)	
	1012507	Right Back Guide Deep (Obsolete - 8/85)	
	1315700	Right and Left Rack Guide Std.	2
14	1012600	Oven Rack Std. Optional	
	1012700	Oven Rack Deep Optional	
15	1012504	Left Hand Rack Guide Std. (Obsolete Prior 8/85)	
	1012506	Left Hand Rack Guide Deep (Obsolete Prior 8/85)	
	1315701	Right and Left Rack Guide Deep	2

– NOTES –

PARTS LIST

GARLAND

TRENDSETTER GAS CONVECTION OVENS



Continuous product improvement is a Garland policy, therefore specifications and design are subject to change without notice.

GARLAND

A **WELBIT** Company

Garland Commercial Industries, Inc.
Freeland, Pennsylvania 18224

Phone (717) 636-1000
Telex 887610