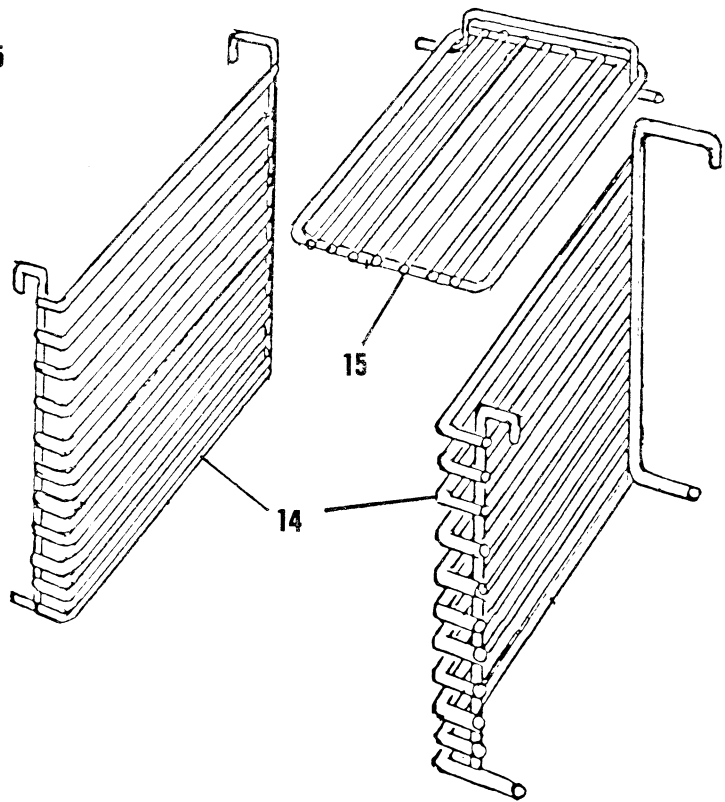
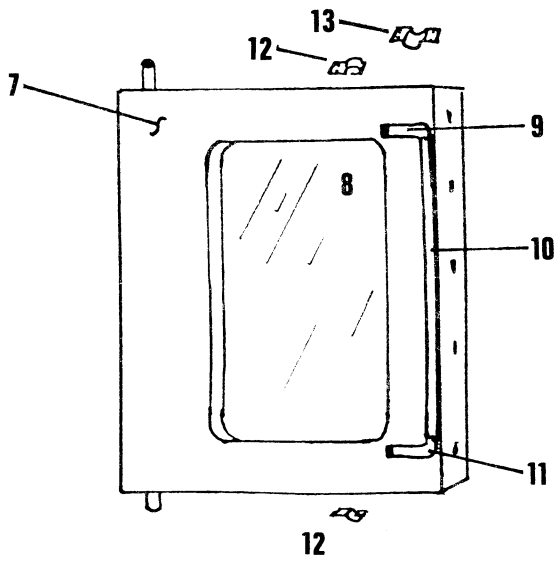
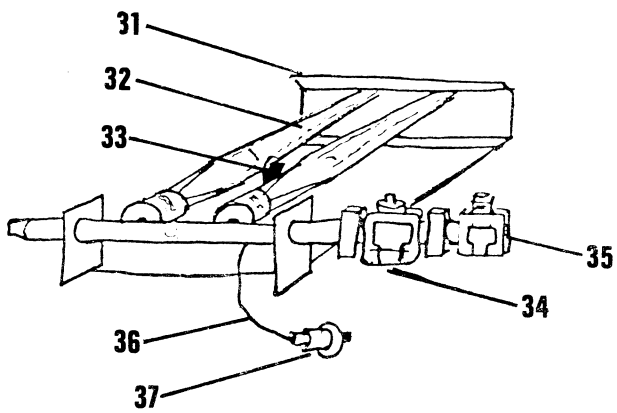
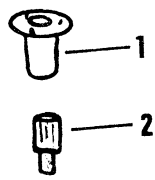
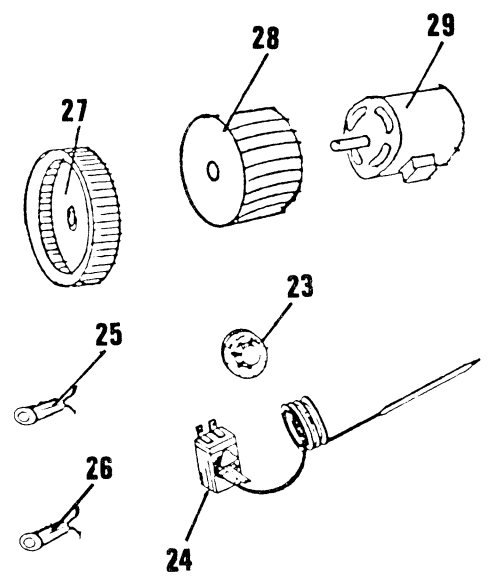
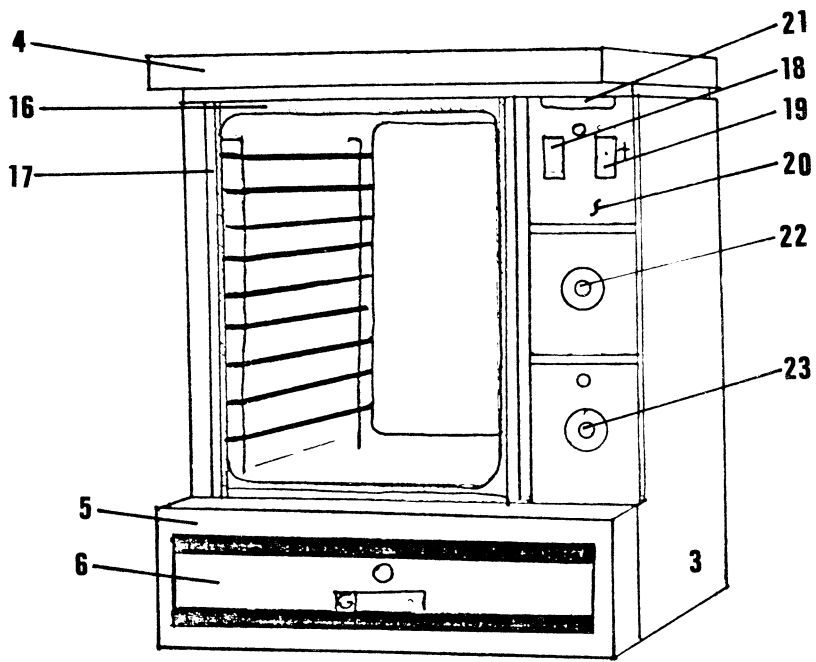


# PARTS LIST



**TG2A**  
**HALF-SIZE**  
**GAS**  
**CONVECTION OVEN**



REF #	PART #	DESCRIPTION	SINGLE DECK TG2-A	DOUBLE DECK TTG2-A
1	1027603	Leg Retainer	4	4
2	1150501	Bullet Foot	4	4
	1027800	Caster without Brake (Rear)	2	2
	1027801	Caster with Brake (Front)	2	2
3	1300504	Main Side GG	2	4
	1300505	Main Side SS (OPTIONAL)	2	4
4	1322200	Main Top GG	1	1
	1322201	Main Top SS (OPTIONAL)	1	1
	1322300	Main Top with Stainless Steel Veneer		
5	1319499	Combustion Chamber Front Assembly SS	1	2
	1319498	Combustion Chamber Front Assembly for Right Side Hung Door		
6	1319599	Combustion Chamber Door SS	1	2
7	1319999	Door Assembly with window	1	2
	1319997	Door Panel SS	1	2
	1011799	Door Liner	1	2
8	1010999	Window	1	2
9	1016701	Door Handle End Top	1	2
10	1016700	Door Handle Bar	1	2
11	1016702	Door Handle End Bottom	1	2
	1120002	Allen Head Cap Screw 1/4 - 20 X 3"	2	4
12	1021901	Door Catch (Spring Steel) Top and Bottom	2	4
13	1021902	Door Catch (Stainless Steel)	1	2
14	1315700	Oven Rack Guide	2	4
15	1315800	Oven Rack	5	10
	1015799	Capillary Tube Guard	1	2
	1319200	Air Baffle (GCE)	1	2
	1319201	Air Baffle (CC) (OPTIONAL)	1	2
16	1317200	Top Door Seal Support (SS)	1	2
	1304215	Top and Bottom Door Seal	2	4
17	1317202	Side Door Seal Support SS	2	4
	1304214	Side Door Seal	2	4
		ROCKER SWITCH - TG2-A		
18	1019203	Rocker Switch (SPST) On-Off	1	2
19	1019209	Rocker Switch (DPDT) On-On	1	2
		ROCKER SWITCHES - COOK 'N HOLD		
	1019203	Rocker Switch (SPST) On-Off	1	2
	1019207	Rocker Switch (DPDT) On-Off-On	1	2
	1019209	Rocker Switch (DPDT) On-On	1	2
20	1303020	Control Panel	1	2
	1303021	Control Panel CH Model	1	2
21	1301410	Handle	1	2
22	1258200	Timer Dial	1	2
	1025204	1 Hour Manual Timer	1	2
	1244704	12 Hour Timer CH Model Only	1	2
23	1314001	Dial (Use Same for Hold Thermostat)	1	2
	1314120	Dial Insert (Use same for Hold Thermostat)	1	2
24	1032400	Cook Thermostat	1	2
	1230601	Hold Thermostat - CH Model Only	1	2
25	1006489	Green Indicator Light	1	2
26	1006496	Amber Indicator Light	1	2
	1006490	White Indicator Light CH Model Only	1	2
	1271800	Capicator CH Model	1	2
	1244600	Relay Socket - CH Model	1	2
	1244501	Relay - CH Model	1	2
	1252400	Relay Hold Down Spring	1	2
	1034200	Buzzer (115V - 60 HZ) CH Model	1	2
27	1270300	Inner Blower Wheel	1	2
28	1025360	Outer Blower Wheel	1	2
30	1003021	Motor 115V	1	2
	1029501	Cord Set	1	2
	1318602	Fire Plate	1	2
31	1316199	Burner Package (Natural)	1	2
	1316198	Burner Package (LP) (OPTIONAL)	1	2
32	1265515	Burner with Air Shutter	2	4
	1265544	Orifice (Natural - Drill 44)	2	4
	1265553	Orifice (LP - Drill 53) (OPTIONAL)	2	4
33	1315999	Pilot Assembly (Natural)	1	2
	1315998	Pilot Assembly (LP) (OPTIONAL)	1	2
	1028202	Pilot Orifice (Natural)	1	2
	1028203	Pilot Orifice (LP) (OPTIONAL)	1	2
	1028720	Pilot Tubing	1	2
	1307401	Thermocouple	1	2

REF #	PART #	DESCRIPTION	SINGLE DECK TG2-A	DOUBLE DECK TTG2-A
34	1027000	Safety Valve	1	2
35	1027300	Solenoid Valve	1	2
	1301900	Solenoid Cover	1	2
36	1309202	Electrode and Lead	1	2
37	1309201	Spark Unit	1	2
	1019003	Pressure Regulator (Natural) - 6.0" WC	1	2
	1019011	Pressure Regulator (LP) - 10" WC	1	2