

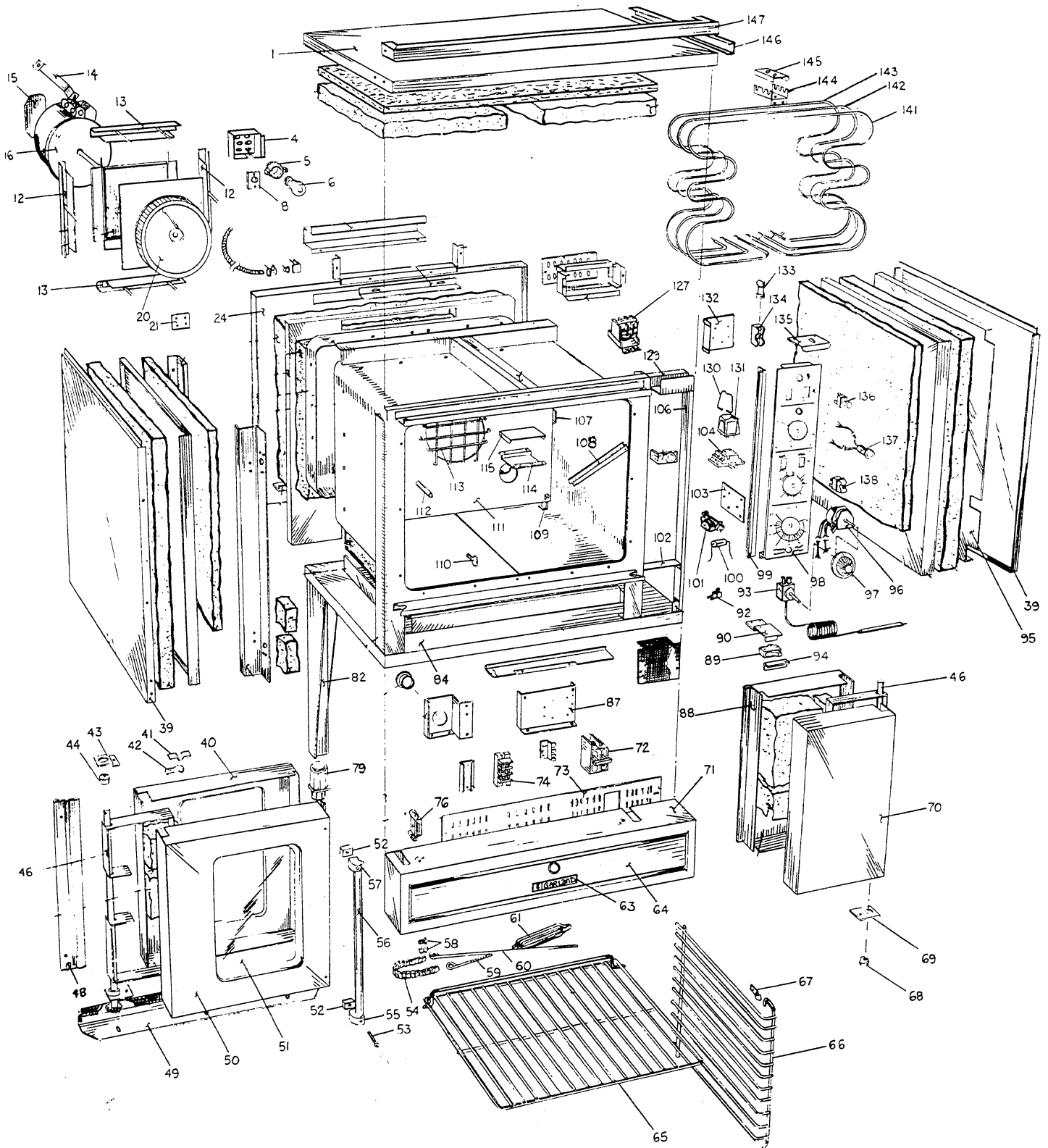
PARTS LIST



TRENDSETTER ELECTRIC CONVECTION OVENS

GARLAND

ELECTRIC CONVECTION OVEN MODELS — TE3, TE4, TTE3, TTE4



ITEM #	PART #	DESCRIPTION	TE3	TTE3	TE4	TTE4
1	1300603	Main Top	1	2	-	-
	1300601	Main Top Deep	-	-	1	2
4	1014809	Light Box Cover	2	4	2	4
5	1025800	Light Socket	2	4	2	4
6	1026050	Lamp Bulb (50 Watts)	2	4	2	4
8	1025900	Light Socket Gasket	2	4	2	4
12	1012498	Motor Mount Brace Assembly (Sides)	2	4	2	4
13	1012499	Motor Mount Brase Assembly (Top & Bottom)	2	4	2	4
14	1301700	Motor Wall Spacer	1	2	1	2
15	1176400	Motor Screen Cover	1	2	1	2
	1003099	Motor Assembly with Blower Wheel	1	2	1	2
16	1003000	Motor - 3/4 HP	1	2	1	2
	1003002	Motor - 3/4 HP - CH Model Only	1	2	1	2
20	1025302	Blower Wheel Assembly	1	2	1	2
21	1303200	Rear Securing Plate	1	1	1	1
	1302500	Support Anqle Front		2		2
24	1014710	Main Back	1	2	1	2
39	1300504	Main Side	2	4	-	-
	1300502	Main Side Deep	-	-	2	4
40	1011799	Door Liner Assembly L/H (with window)	1	2	1	2
41	1021902	Door Catch (Stainless Steel)	1	2	1	2
42	1021901	Door Catch (Spring type)	1	2	1	2
43	1302800	Bearing Retainer	2	4	2	4
44	1011201	Door Spacer - Steel	2	4	2	4
46	1011899	Door Frame Assembly	2	4	2	4
48	1019997	Side Seal Door Assembly	2	4	2	4
49	1019999	Top & Bottom Door Seal Assembly	2	4	2	4
	1029279	Door Assembly Complete - L/H with window	1	2	1	2
50	1011605	Door Panel L/H (with window)	1	2	1	2
51	1010999	Oven Door Window	1	2	1	2
52	1016703	Insulator Door Handle	2	4	2	4
53	1120002	1/4-20 X 3" Allen Head Screw	2	4	2	4
54	1021100	Roller Chain No. 40	2	4	2	4
	1016799	Oven Door Handle Assembly	1	2	1	2
55	1016701	Oven Door Handle End - Bottom	1	2	1	2
56	1016700	Handle	1	2	1	2
57	1016702	Oven Door Handle End - Top	1	2	1	2
	1021289	Door Chain Assembly - Complete	2	4	2	4
58	1021299	Connecting Link No. 40	4	8	4	8

ITEM #	PART #	DESCRIPTION	TE3	TTE3	TE4	TTE4
59	1014201	Left Door Rod	2	4	2	4
60	1014200	Right Door Rod	2	4	2	4
61	1015000	Turnbuckle	2	4	2	4
63	1007000	GARLAND Nameplate	1	2	1	2
64	1301803	Combustion Chamber Door	1	2	1	2
65	1012600	Oven Rack Assembly	5	10	-	-
	1012700	Oven Rack Assembly Deep	-	-	5	10
66	1012505	Rack Guide Assembly R/H	1	2	-	-
	1012504	Rack Guide Assembly L/H	1	2	-	-
	1012507	Rack Guide Assembly R/H - Deep	-	-	1	2
	1012506	Rack Guide Assembly L/H - Deep	-	-	1	2
67	1016800	Clip Rack Guide	2	4	2	4
68	1011203	Bronze Bushing	2	4	2	4
69	1010599	Hinge Bracket Assembly	2	4	2	4
	1029278	Door Assembly R/H - Solid	1	2	1	2
70	1011402	Door Panel R/H (Solid) - with window (Optional)	1	2	1	2
71	1301898	Combustion Chamber Front Assembly	1	2	1	2
72	1026200	Circuit Breaker (208V-236V)	1	2	2	4
	1026201	Circuit Breaker (460V)	3	6	3	6
74	1193900	Terminal Block (3 lug)	1	1	1	1
	1250000	Terminal Block (5 lug) - Export Only	1	1	1	1
76	1020101	Magnetic Door Catch	2	4	2	4
79	1236101	Square Foot Insert	4	4	4	4
82	1300798	Leg Assembly 28"	4	-	4	-
	1300799	Leg Assembly 8"	-	4	-	4
84	1300096	Main Bottom Assembly	1	2	-	-
	1300099	Main Bottom Assembly - Deep	-	-	1	2
87	1268210	Circuit Breaker Bracket	1	2	1	2
88	1011502	Door Liner R/H Assembly - Solid	1	2	1	2
89	1019602	Micro-Switch	1	2	1	2
90	1301500	Micro-Switch Bracket	1	2	1	2
92	1028400	Ground Lug	1	1	1	1
93	1032400	Oven Thermostat - 148 ⁰ F to 500 ⁰ F	1	2	1	2
	1030601	Oven Thermostat - 100 ⁰ F to 250 ⁰ F (CH models only)	1	2	1	2
94	1301399	Micro Switch Activator Assembly	1	2	1	2
95	1300800	Partition Side	1	2	-	-
	1300801	Partition Side - Deep	-	-	1	2
96	1244705	12 Hour Timer Assembly CH Models Only	1	2	1	2
	1025204	60 Minute Timer	1	2	1	2
	1034199	5 Hour Timer Assembly Optional				

ITEM #	PART #	DESCRIPTION	TE3	TTE3	TE4	TTE4
97	1258200	Dial	2	4	2	4
98	1303000	Control Panel	1	2	1	2
	1303002	Control Panel - CH Models Only	1	2	1	2
99	1303001	Control Panel Side R/H	1	2	1	2
	1300200	Control Panel Side L/H	1	2	1	2
100	1252100	Capacitor - CH Models Only	1	2	1	2
101	1034201	Buzzer - Specify voltage	1	2	1	2
102	1301099	Control Panel Support Assembly	1	2	1	2
103	1266300	Relay Mounting Bracket - CH Models Only	2	4	2	4
104	1244600	Relay Socket - CH Models Only	1	2	1	2
106	1300400	Side Brace	1	2	1	2
108	1015799	Capillary Tube Guard Assembly	1	2	1	2
110	1031901	Thumb Screw	4	8	4	8
111	1010297	Air Baffle Assembly - Enamelled	1	2	1	2
112	1014400	Air Baffle Spacer	4	8	4	8
113	1014500	Blower Inlet Cover	1	2	1	2
114	1300900	Vent Cover	1	2	1	2
115	1300901	Vent Side	1	2	1	2
127	1026101	Contactator - 4 Pole - 50 AMP - X Models Only	-	-	-	-
	1026100	Contactator - 3 Pole - 50 AMP	1	2	1	2
129	1300300	Top Brace	1	2	1	2
130	1252400	Relay Mounting Spring (CH Models Only)	1	2	1	2
131	1244501	Relay (240V, 60/50 HX) (CH Models Only)	1	2	1	2
132	1267600	Contactator Mounting Bracket	2	4	2	4
133	1130103	Fuse - Cartridge Type - 20 AMP - X Model Require 3 each	2	4	2	4
134	1130102	Fuse Holder - X Model require 3 each	2	4	2	4
135	1301400	Handle	1	2	1	2
136	1181000	Momentary Push Button Switch	1	2	1	2
	1006494	Pilot Lamp Assembly White - CH Model Only	1	2	1	2
137	1006493	Pilot Lamp Assembly - Green	1	2	1	2
	1006498	Pilot Lamp Assembly - Amber	1	2	1	2
ROCKET SWITCH TE MODELS						
138	1019200	Power (On-Off S.P.S.T.)	1	2	1	2
	1019214	Fan - Cook/Cool Down (On-On D.P.D.T.)	1	2	1	2
COOK 'N HOLD MODELS						
	1019212	Cook/Cook/Cool Down (On-Off-On D.P.D.T.)	1	2	1	2
	1019215	Hi/Lo Fan (On-On S.P.D.T.)	1	2	1	2
	1019214	Timed/Untimed (On-On D.P.D.T.)	1	2	1	2
	1019201	Buzzer/Hold (On-Off-On S.P.D.T.)	1	2	1	2

ITEM #	PART #	DESCRIPTION	TE3	TTE3	TE4	TTE4
TE MODELS WITH 2 SPEED MOTOR						
	1019212	Cook/Cool Down (On-Off-On D.P.D.T.)	1	2	1	2
	1019215	Hi/Lo Fan (On-On S.P.D.T.)	1	2	1	2
141	1032199	Element Assembly 208V	1	2	1	2
	1011099	Element - Front - 208V	1	2	1	2
142	1011098	Element Center - 208V	1	2	1	2
143	1011097	Element - Rear - 208V	1	2	1	2
	1032198	Element Assembly - 236V	1	2	1	2
	1011096	Element - Front - 236V	1	2	1	2
	1011095	Element - Center - 236V	1	2	1	2
	1011094	Element - Rear 236V	1	2	1	2
	1032196	Element Assembly - 460V	1	2	1	2
	1011090	Element - Front - 460V	1	2	1	2
	1011089	Element - Center - 460 V	1	2	1	2
	1011088	Element - Rear - 460V	1	2	1	2
	1032303	Heater Element - 236V = X Model Only (2 Each Oven)				
	1032302	Heater Element - 208V - X Model Only (2 Each Oven)				
	1033700	Transformer - 460V	1	2	1	2
	1130101	Fuse - 460V	2	4	2	4
	1130100	Fuse Holder - 460V	2	4	2	4
144	1017100	Top Element Retainer	4	8	4	8
145	1017101	Bottom Element - Retainer	4	8	4	8
146	1302600	Side Top Veneer - Optional	2	4	-	-
	1302601	Side Top Veneer Deep - Optional	-	-	2	4
147	1301100	Main Top Front Veneer	1	2	1	2
OPTIONAL						
	1300794	Caster Leg Assembly 22" - Single Oven	4	-	4	-
	1302099	Caster Pad Weld Assembly - Double Oven	-	4	-	4
	1027500	Caster - Without brake	2	2	2	2
	1027501	Caster with brake	2	2	2	2
	1300503	Main Side - Stainless Steel - Deep	-	-	2	4
	1300505	Main Side - Stainless Steel - Standard	2	4	-	-
	1300600	Main Top - Stainless Steel - Deep	-	-	1	2
	1300602	Main Top - Stainless Steel - Standard	1	2	-	-
	1029277	Left Door Assembly Complete - without window	1	2	1	2
	1029276	Right Door Assembly Complete - with window	1	2	1	2

ITEM #	PART #	DESCRIPTION	TE3	TTE3	TE4	TTE4
CABINET BASE						
	1303600	Open Stand Upper Rack Support GG	2	-	2	-
	1303601	Open Stand Upper Rack Support SS				
	1303700	Open Stand Lower Rack Support GG	1	-	1	-
	1012504	Left Rack Guide - Standard	1	-	-	-
	1012506	Left Rack Guide - Deep	-	-	1	-
	1012505	Right Rack Guide - Standard	1	-	-	-
	1012507	Right Rack Guide - Deep	-	-	1	-
	1016800	Rack Guide - Clip	2	-	2	-
	1303807	Side Panel GG - Deep	-	-	2	-
	1303806	Side Panel SS				
	1303805	Side Panel GG - Standard	2	-	-	-
	1303804	Side Panel SS				
	1303802	Back Panel GG	1	-	1	-
	1303803	Back Panel SS				
	1303800	Rack Guide Spacer GG	2	-	2	-
	1303801	Rack Guide Spacer SS	2	-	2	-
OPEN BASE						
	1303600	Open Stand Upper Rack Support GG	2	-	2	-
	1303601	Open Stand Upper Rack Support SS				
	1303700	Open Stand Lower Rack Support GG	1	-	1	-
	1303701	Open Stand Lower Rack Support SS				
	1012504	Left Open Rack Guide - Standard	1	-	-	-
	1012505	Right Open Rack Guide - Standard	1	-	-	-
	1012506	Left Open Rack Guide - Deep	-	-	1	-
	1012507	Right Open Rack Guide - Deep	-	-	1	-
	1016800	Rack Guide Clip	2	-	2	-
	1303800	Rack Guide Spacer GG	2	-	2	-
	1303801	Rack Guide Spacer SS				
REAR ENCLOSURES						
	1303300	Body Side Extension GG	2	4	2	4
	1303301	Body Side Extension SS				
	1303302	Back Cover Plate GG	1	2	1	2
	1303303	Rack Cover Plate SS				

PARTS LIST



TRENDSETTER ELECTRIC CONVECTION OVENS