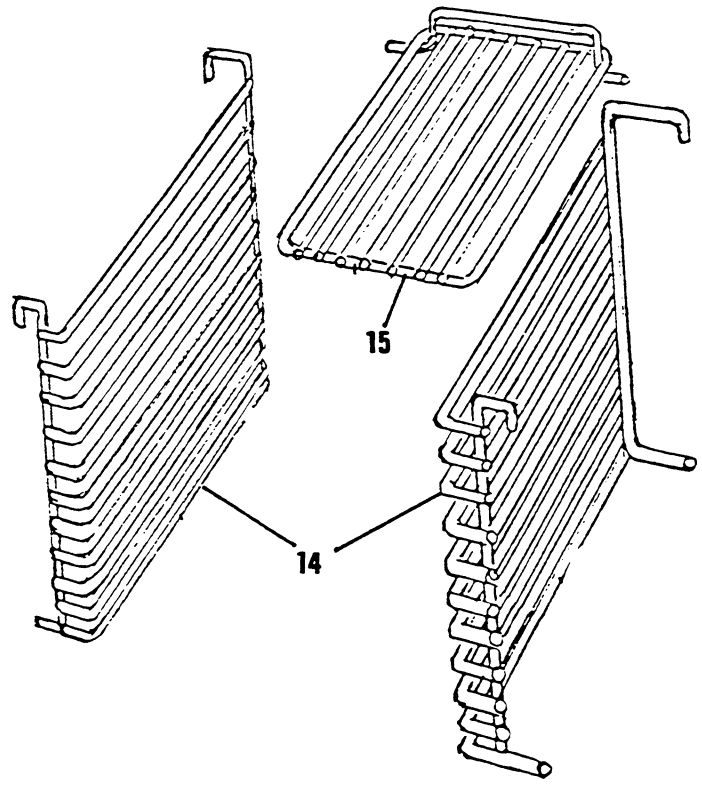
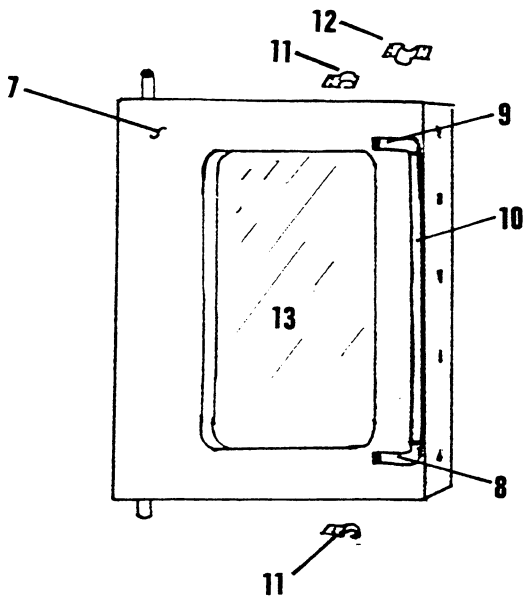
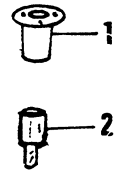
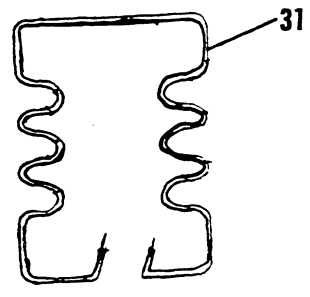
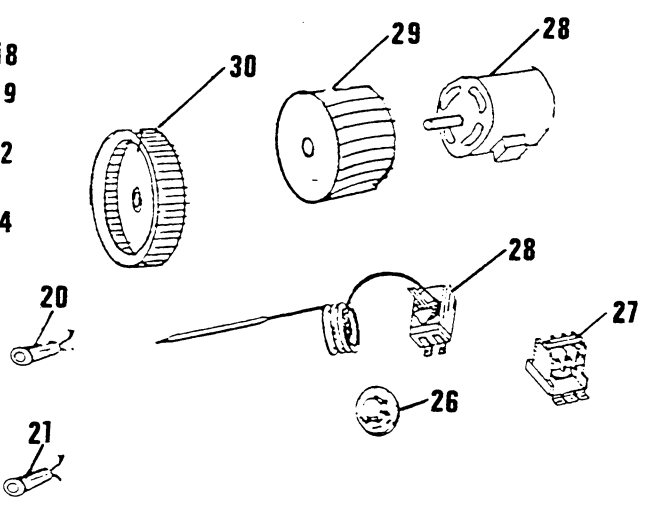
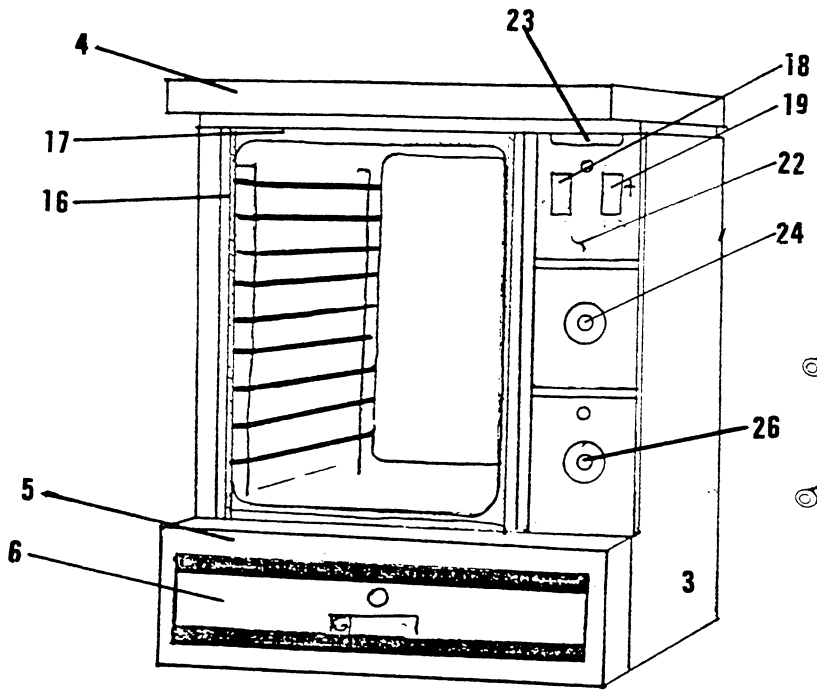


PARTS LIST



**TE2A
HALF-SIZE
ELECTRIC
CONVECTION OVEN**



REF #	PART #	DESCRIPTION	SINGLE DECK TE2-A	DOUBLE DECK TTE2-A
1	1027603	Leg Retainer	4	4
2	1150501	Bullet Foot	4	4
	1027800	Caster without Brake (Rear) (Optional)	2	2
	1027801	Caster with Brake (Front) (Optional)	2	2
3	1300504	Main Side GG	2	4
	1300505	Main Side SS		
4	1322200	Main Top GG	1	1
	1322201	Main Top SS		
	1322300	Main Top with SS Veneer Front		
5	1319499	Combustion Chamber Front Assembly (Std)	1	2
	1319498	Combustion Chamber Front Assembly - Right side hung door		
6	1319599	Combustion Chamber Door	1	2
	1020101	Magnetic Catch	2	4
7	1319999	Door Assembly with window	1	2
	1319997	Door Panel with window opening		
	1011799	Door Liner with window opening		
8	1016702	Door Handle End - Left	1	2
9	1016701	Door Handle End - Right	1	2
	1016703	Spacer	2	4
10	1016700	Door Handle Bar	1	2
11	1021901	Door Catch (Top and Bottom)	2	4
12	1021902	Door Catch (Top Only)	1	2
13	1010999	Door Window	1	2
14	1315700	Oven Rack Guide	2	4
15	1315800	Oven Rack	5	10
	1015799	Capillary Tube Guard	1	2
	1319200	Air Baffle (GCE)	1	2
	1319201	Air Baffle (CC) (Optional)	1	2
16	1317202	Side Door Seal Support SS	2	4
	1304214	Side Door Seal	2	4
17	1317200	Top Door Seal Support SS	1	2
	1304215	Top or Bottom Door Seal	2	4
ROCKER SWITCHES TE2-A MODELS				
18	1019203	Rocker Switch (SPST) On-Off	1	2
19	1019209	Rocker Switch (DPDT) Cook/Cooldown	1	2
ROCKER SWITCH COOK 'N HOLD MODEL				
	1019203	Rocker Switch (SPST) On-Off	1	2
	1019209	Rocker Switch (DPDT) On-On	2	4
	1019207	Rocker Switch (DPDT) On-Off-On	1	2
20	1006498	Green Indicator Light	1	2
21	1006496	Amber Indicator Light	1	2
	1006494	White Indicator Light - CH Model Only	1	2
22	1303020	Control Panel	1	2
	1303021	Control Panel CH Model	1	2
	1300200	Control Panel Left Side	1	2
	1300201	Control Panel Right Side	1	2
23	1301410	Handle	1	2
24	1025204	Timer	1	2
	1244705	Timer (220V-60HZ) CH Model	1	2
	1258200	Dial - Use on both timers	1	2
25	1032400	Thermostat (Cook)	1	2
	1230601	Thermostat (Hold) CH Model	1	2
26	1314001	Dial - Both Thermostats	1	2
	1314120	Dial insert for above	1	2
27	1026101	Contactor - 4 Pole (208/240V)	1	2
	1130103	Fuse	2	4
	1130102	Fuse Holder	2	4
	1271800	Capacitor - CH Model Only	1	2
	1244600	Relay Socket - CH Model Only	1	2
	1244501	Relay - CH Model Only	1	2
	1252400	Relay Hold Down Spring	1	2
	1034201	Buzzer (220V) - CH Model Only	1	2
	1019600	Micro Switch	1	2
	1320499	Activating Rod Assembly	1	2
	1320403	Activating Bracket	1	2
	1320404	Micro Switch Bracket	1	2
28	1003020	Motor (208/240V)	1	2
29	1025360	Outer Blower Wheel	1	2
30	1270300	Inner Blower Wheel	1	2

REF#	PART #	DESCRIPTION	SINGLE DECK TE2-A	DOUBLE DECK TTE2-A
31	1315418	Front Element 208V (3000W - 9 KW)	1	2
	1315419	Center Element - 208V (3000W - 9 KW)	1	2
	1315420	Rear Element - 208V (3000W - 9 KW)	1	2
	1315400	- Front Element 208V (2000W - 6 KW) (OPTIONAL)	1	2
	1315401	Center Element - 208V (2000W - 6 KW) (OPTIONAL)	1	2
	1315402	Rear Element - 208V (2000W - 6 KW) (OPTIONAL)	1	2
	1315421	Front Element - 240V (3000W - 9 KW)	1	2
	1315422	Center Element - 240V (3000W - 9 KW)	1	2
	1315423	Rear Element - 240V (3000W - 9 KW)	1	2
	1315403	Front Element - 240V (2000W - 6 KW) (OPTIONAL)	1	2
	1315404	Center Element - 240V (2000W - 6 KW) (OPTIONAL)	1	2
	1315405	Rear Element - 240V (2000W - 6 KW) (OPTIONAL)	1	2
	1321200	Outer Element Clamp	3	6
	1321300	Inner Element Clamp	3	6