



Item #: _____
 Model: STW286
 Product Name: Wendy's Hot Top/Griddle
 Combo Range



Specifications:

- Stainless steel front, two sides, backguard, and front hand rail
- Total flame failure protection on all burners
- 4" (102mm), swivel casters with polyurethane, non-marking wheels and brakes on front
- 24" (610mm), coiled electric cord on 120 volt models only, (all other models directly connected to terminal block)
- 3/4" (19mm) x 36" (915mm), Hose Master SLQSP flex gas hose with swivels, quick disconnect, and strain relief kit

Combination Hot Top/Griddle:

- 12" (305mm) wide x 28" (711mm), deep x 1/2" (13mm) thick, 25,000BTU/Hr, High-Low valve-operated hot top on left side with piezo-electric ignition
- 24" (610mm) wide x 28" (711mm), deep x 5/8" (16mm) thick, 50,000BTU/Hr, electro-mechanical thermostat-controlled griddle on right side with electronic ignition

Convection Oven:

- 30,000BTU/Hr, steel tube burner with electronic ignition and electro-mechanical thermostat control
- Porcelain enamel oven interior, 26-1/4" (667mm) wide x 22" (559mm) deep x 13-1/2" (343mm) high
- 3 chrome-plated removable oven racks

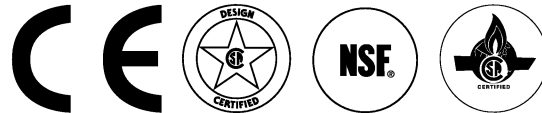
Wendy's Item #:

K04-01	120 Volt	60Hz	Natural Gas
K04-02	120 Volt	60Hz	Propane
K04-03	230 Volt	50Hz	Natural Gas
K04-04	230 Volt	50Hz	Propane

Payment Terms: Cash with order.

Return Policy: No return shipments accepted without prior written approval/authorization

Cancellation Fee: Orders cancelled or changed after construction has begun are subject to a 25% charge



GARLAND™ GAS

Wendy's Hot Top/Griddle Combo Range

Model: STW286

Garland Commercial Industries, Inc.
 185 East South Street
 Freeland, Pennsylvania 18224
 Phone: (570) 636-1000
 Fax: (570) 636-3903

Garland Commercial Ranges Ltd
 1177 Kamato Road, Mississauga, Ontario
 L4W 1X4 CANADA
 Phone: 905-624-0260
 Fax: 905-624-5669

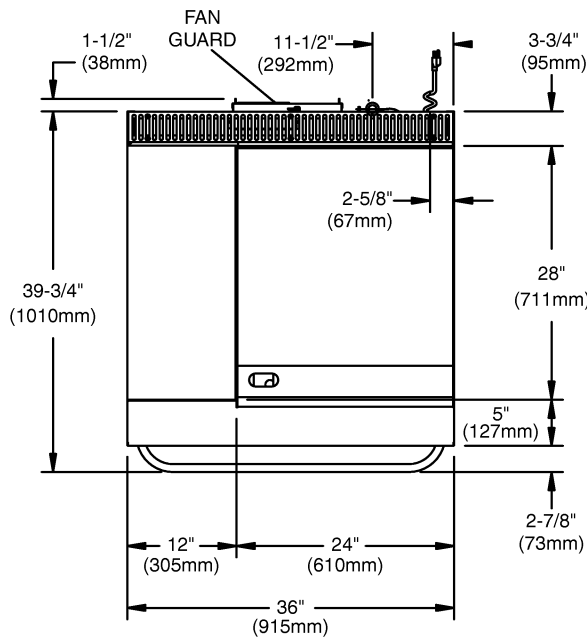
Enodis UK LTD
 Swallowfield Way, Hayes, Middlesex
 UB3 1DQ ENGLAND
 Telephone: 081-561-0433
 Fax: 081-848-0041



Item #: _____
 Model: STW286
 Product Name: Wendy's Hot Top/Griddle
 Combo Range

Input Ratings						Operating Pressure			
Hot Top		Griddle		Oven		Natural		Propane	
BTU	kW	BTU	kW	BTU	kW	"WC	mbar	"WC	mbar
25,000	7.32	50,000	14.65	30,000	8.79	4.5	11	10	25

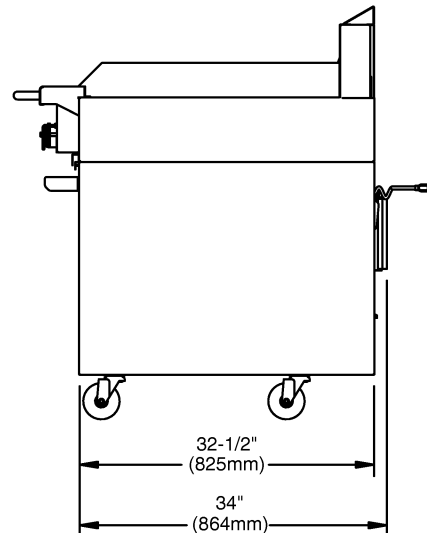
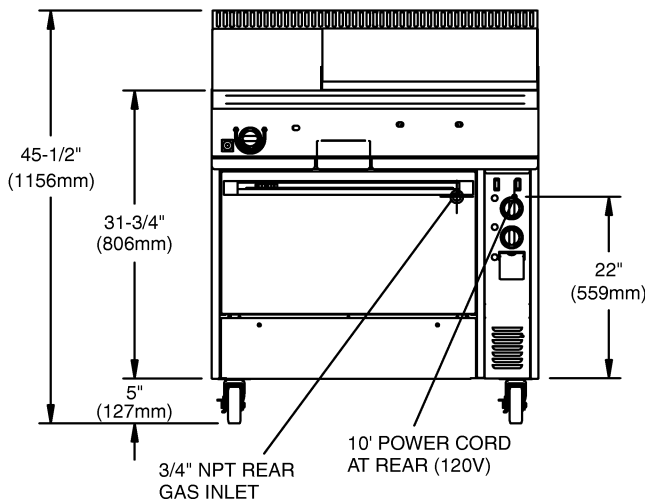
Oven Interior Dimensions			Entry Clearance		Installation Clearances		Shipping Weight
Height	Width	Depth	Crated	Uncrated	Sides	Rear	
13-12" (343mm)	26-1/4" (667mm)	22" (559mm)	43" (1105mm)	37-7/8" (648mm)	7" (178mm)	6" (152mm)	584lbs. (265kg)



NOTE: Installation clearance reductions are applicable only where local codes permit.

This product is not approved for residential use.

Commercial cooking equipment requires an adequate ventilation system. For additional information, refer to the National Fire Protection Association's standard NFPA96.



Continuous product improvement is a Garland policy.