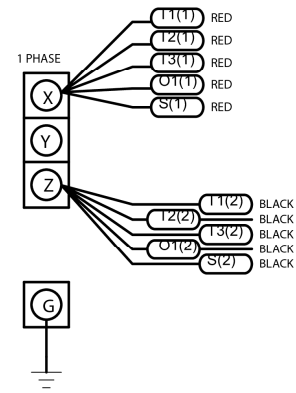
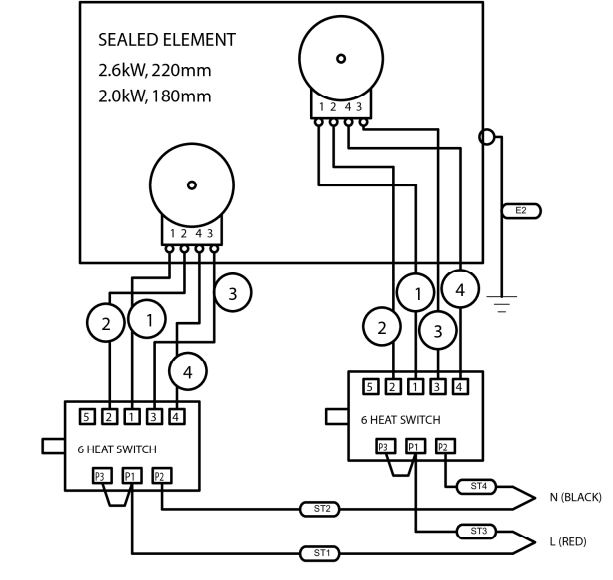
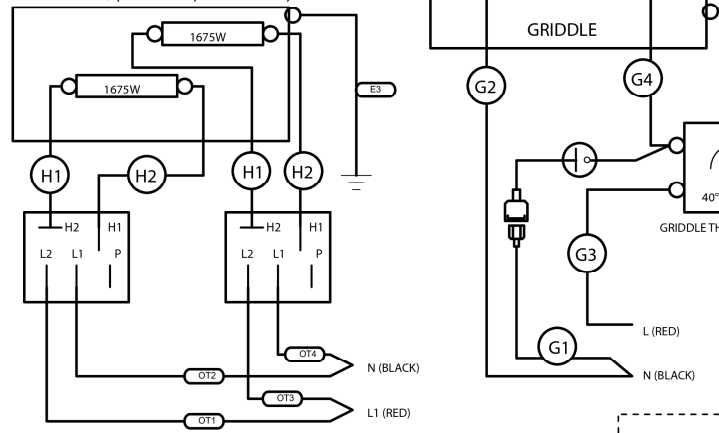


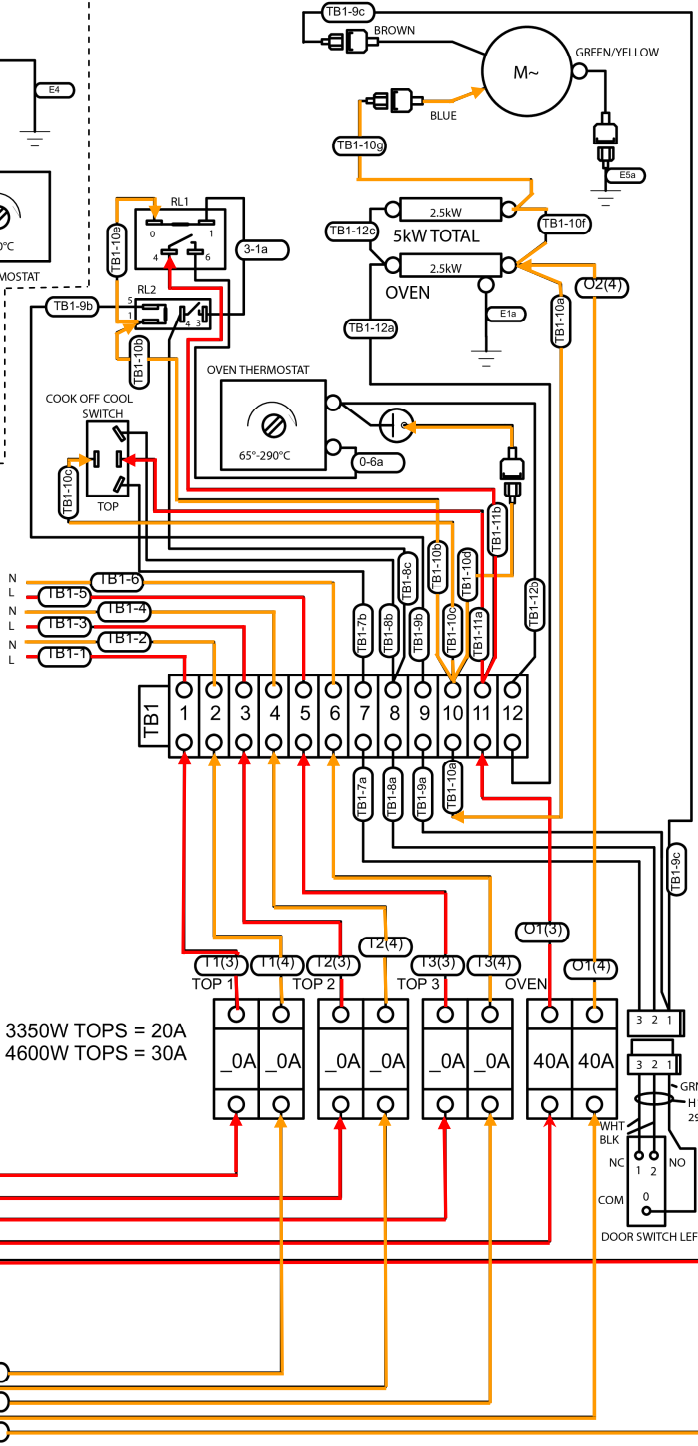
HOT TOP / (OPEN TOP)  
3.35kW TOTAL / (8"=2.1kW, 6"=1.25kW)



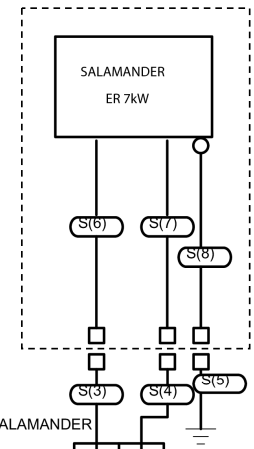
- TOP 1 RED
- TOP 2 RED
- TOP 3 RED
- OVEN 1 RED
- SALAMANDER RED
- TOP 1 BLACK
- TOP 2 BLACK
- TOP 3 BLACK
- OVEN 1 BLACK
- SALAMANDER BLACK

- TOP 3
- TOP 2
- TOP 1

3350W TOPS = 20A  
4600W TOPS = 30A

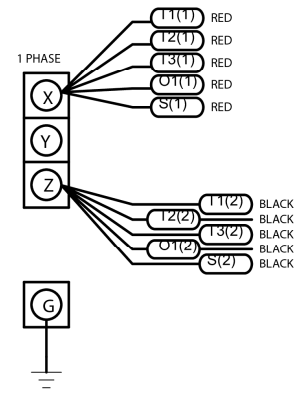
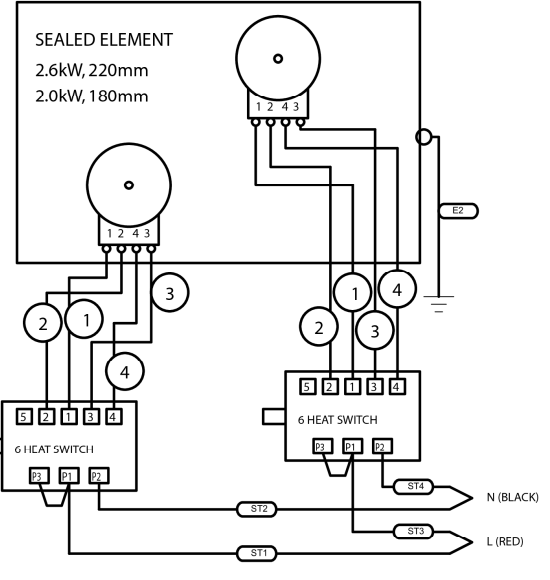
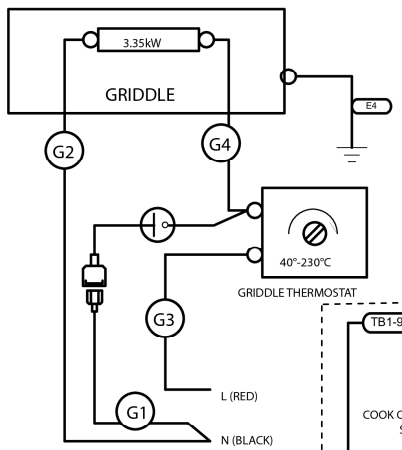
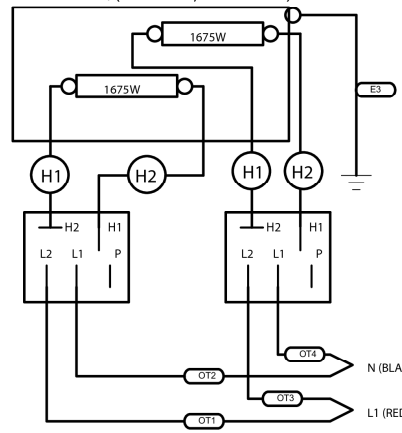


S/SS680 Convection  
Diagram Reading Guide  
Single Phase Shown  
**Uninterrupted Power**  
Cook off Cool Switch Off  
(Top Sections & Salamander not shown)



- L1 Uninterrupted
- L2 Uninterrupted

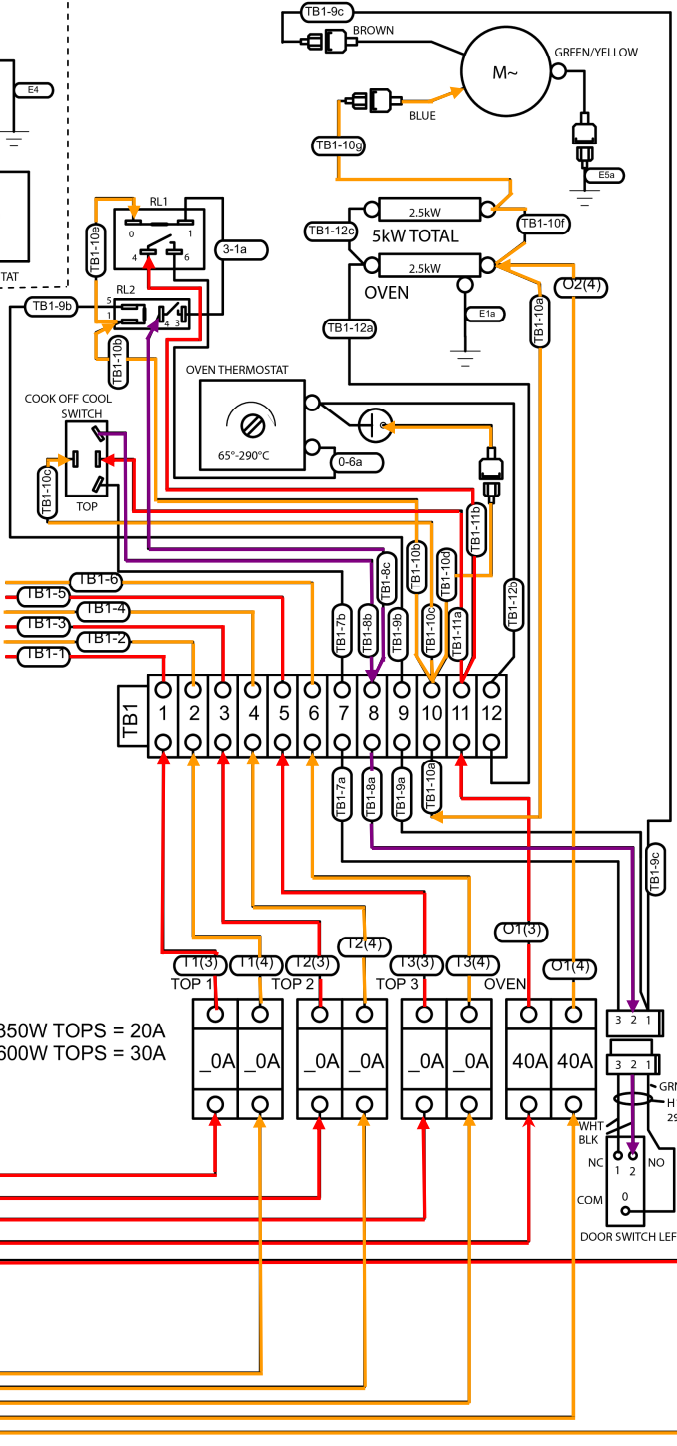
HOT TOP / (OPEN TOP)  
 3.35kW TOTAL / (8"=2.1kW, 6"=1.25kW)



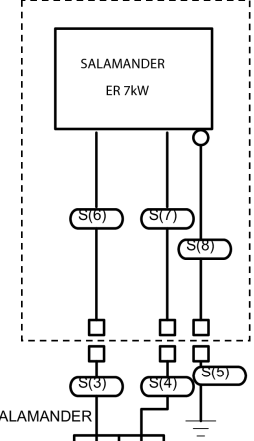
- TOP 1 RED
- TOP 2 RED
- TOP 3 RED
- OVEN 1 RED
- SALAMANDER RED
- TOP 1 BLACK
- TOP 2 BLACK
- TOP 3 BLACK
- OVEN 1 BLACK
- SALAMANDER BLACK

- TOP 3
- TOP 2
- TOP 1

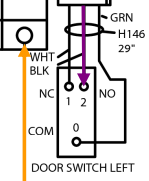
3350W TOPS = 20A  
 4600W TOPS = 30A



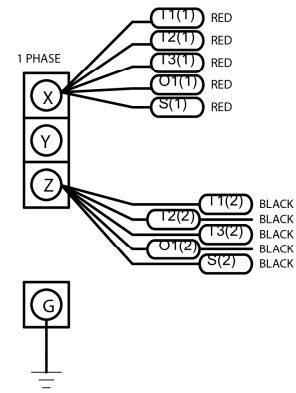
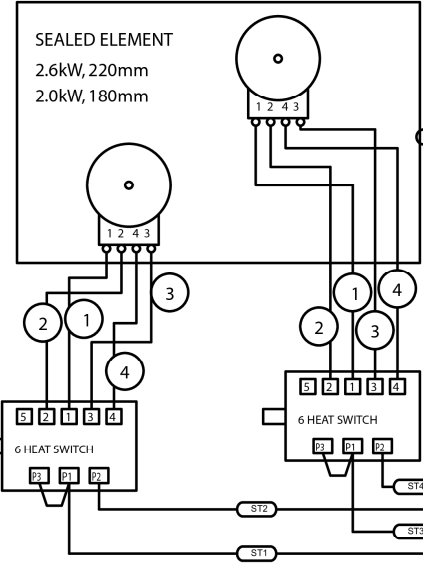
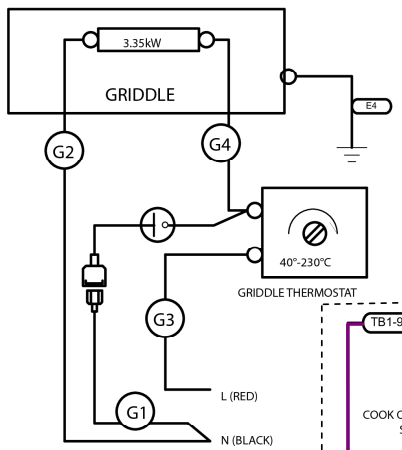
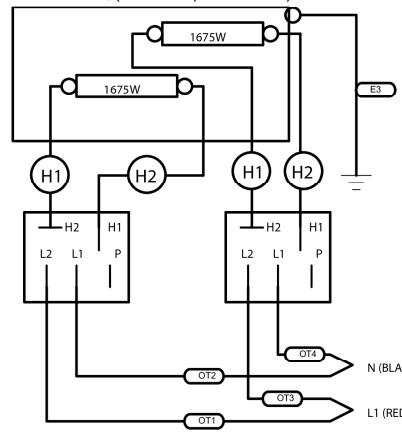
**Cook Selected**  
 Cook off Cool Switch in Cook  
 Door Open  
 (Top Sections & Salamander not shown)



- L1 Uninterrupted
- L2 Uninterrupted
- Switched L1



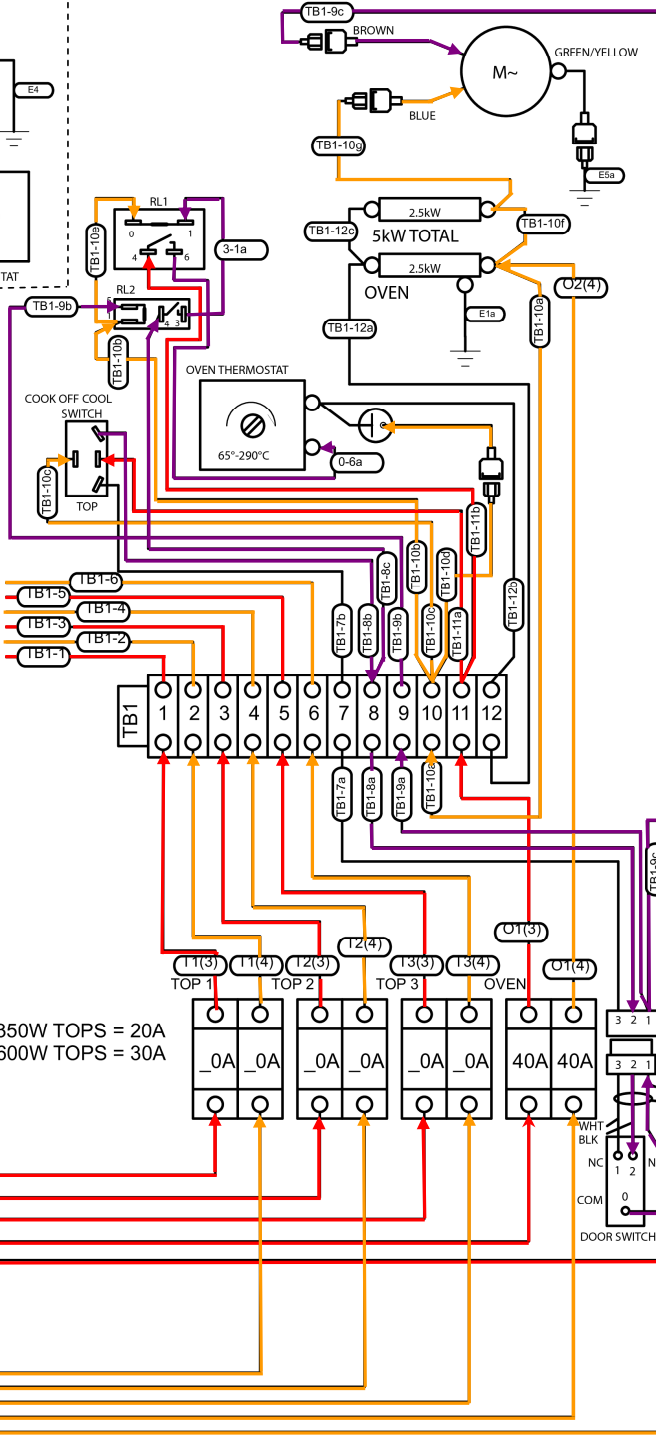
HOT TOP / (OPEN TOP)  
3.35kW TOTAL / (8"=2.1kW, 6"=1.25kW)



- TOP 1 RED
- TOP 2 RED
- TOP 3 RED
- OVEN 1 RED
- SALAMANDER RED
- TOP 1 BLACK
- TOP 2 BLACK
- TOP 3 BLACK
- OVEN 1 BLACK
- SALAMANDER BLACK

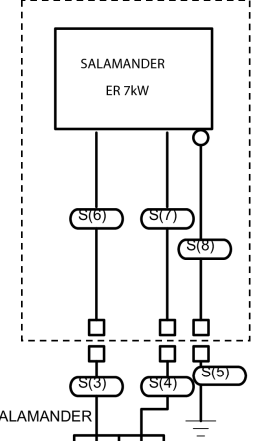
- TOP 3
- TOP 2
- TOP 1

3350W TOPS = 20A  
4600W TOPS = 30A



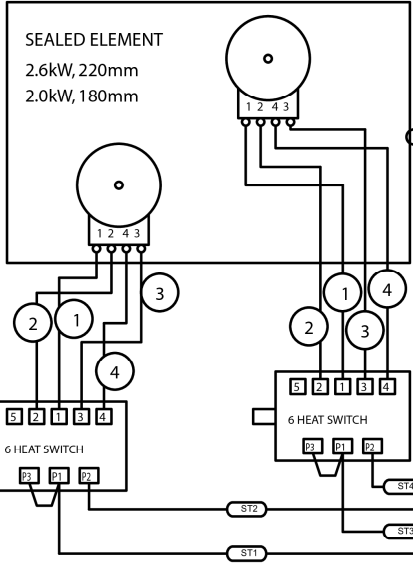
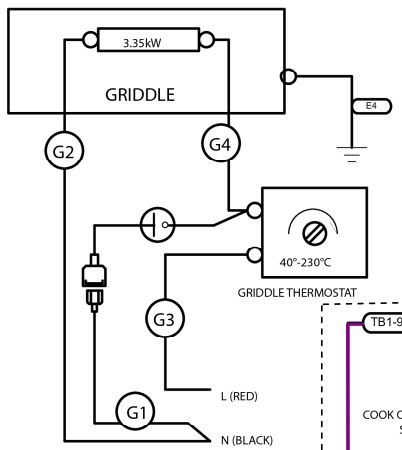
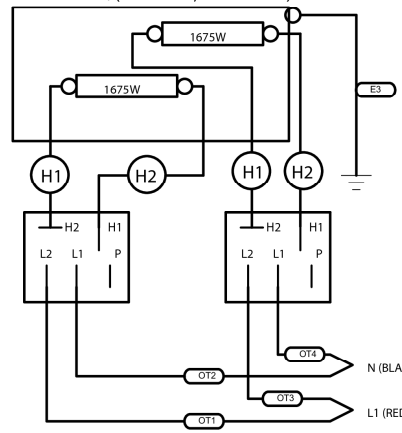
# Cook Selected

Cook off Cool Switch in Cook  
Door Closed  
Thermostat not calling  
(Top Sections & Salamander not shown)

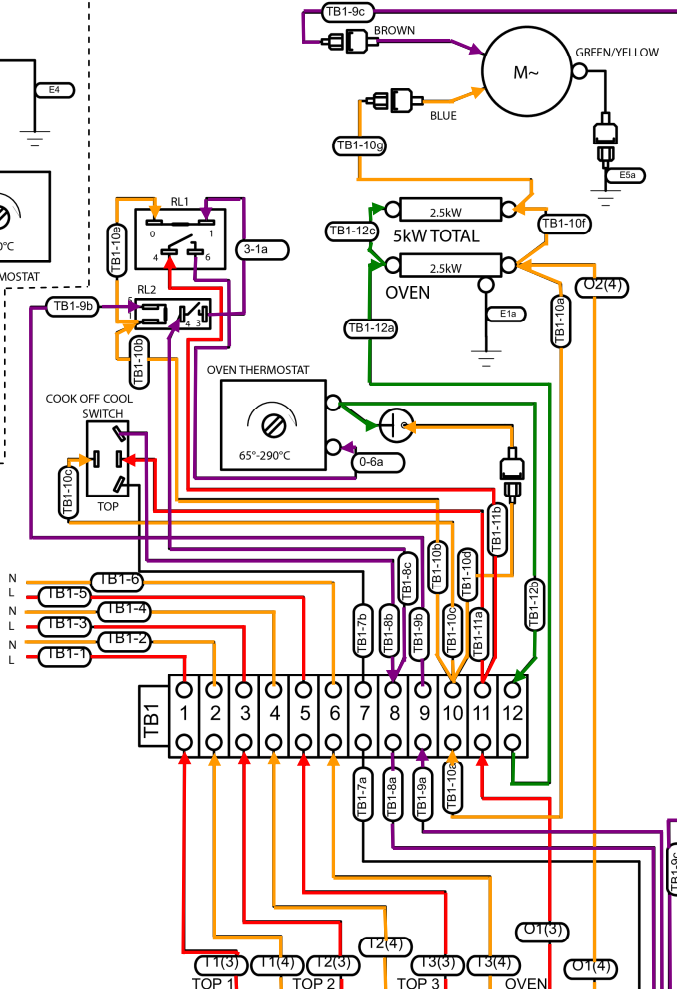


- L1 Uninterrupted
- L2 Uninterrupted
- Switched L1

HOT TOP / (OPEN TOP)  
3.35kW TOTAL / (8"=2.1kW, 6"=1.25kW)



TOP 3  
TOP 2  
TOP 1

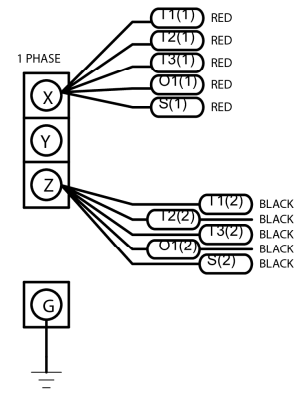
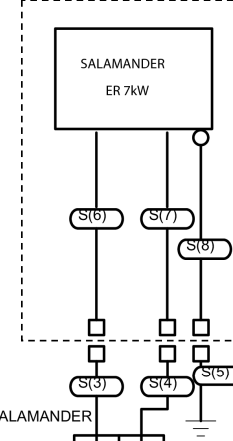


3350W TOPS = 20A  
4600W TOPS = 30A

# Cook Selected

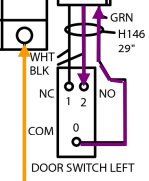
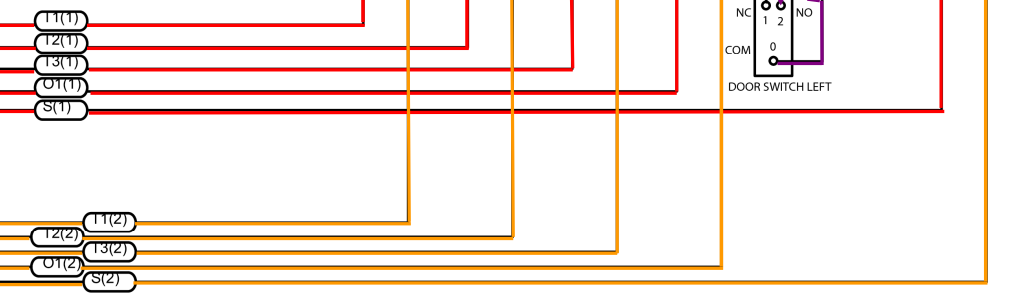
Cook off Cool Switch in Cook  
Door Closed  
Thermostat calling  
(Top Sections & Salamander not shown)

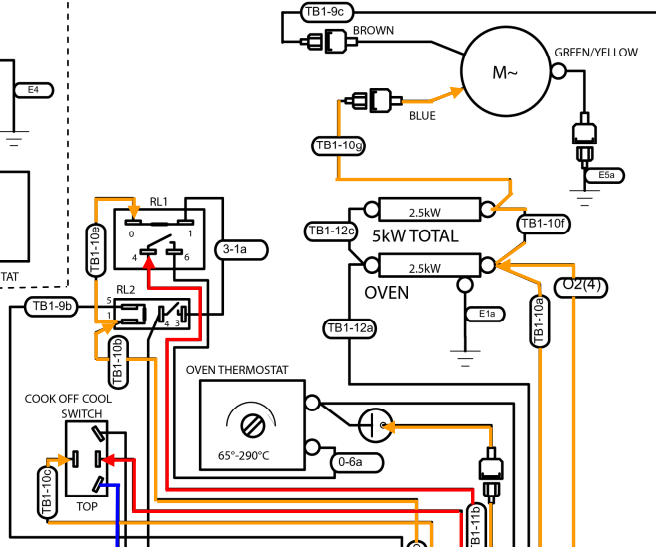
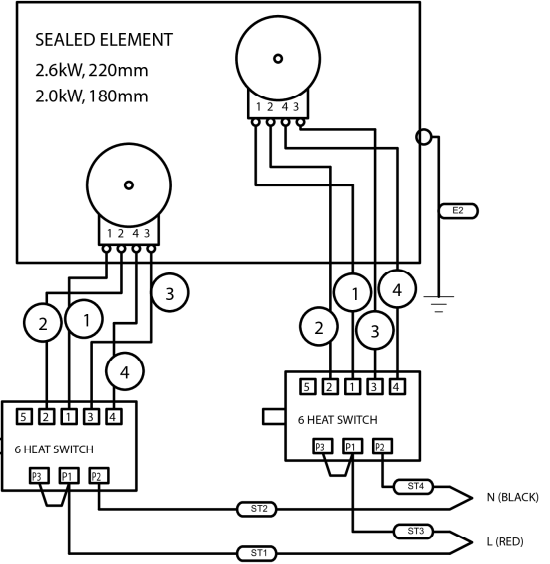
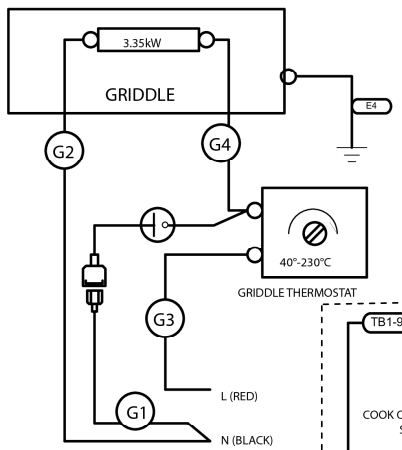
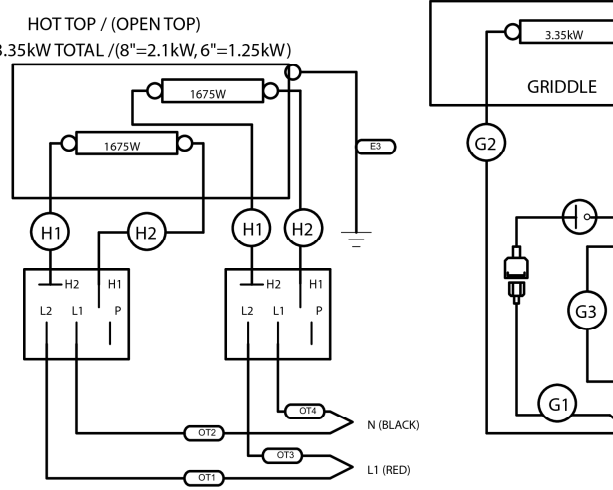
- L1 Uninterrupted
- L2 Uninterrupted
- Switched L1
- Thermostat L1



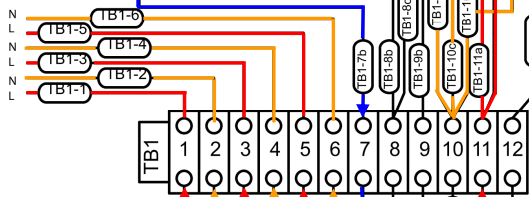
TOP 1 RED  
TOP 2 RED  
TOP 3 RED  
OVEN 1 RED  
SALAMANDER RED

TOP 1 BLACK  
TOP 2 BLACK  
TOP 3 BLACK  
OVEN 1 BLACK  
SALAMANDER BLACK

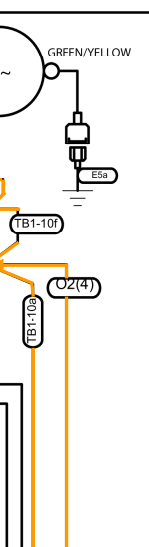
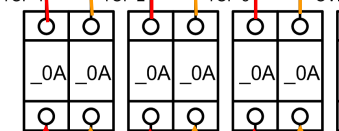




TOP 3  
TOP 2  
TOP 1

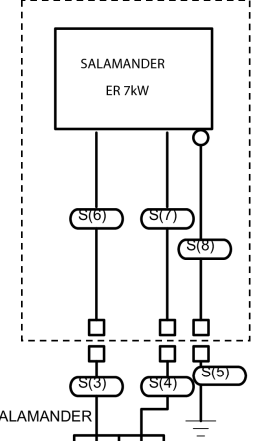


3350W TOPS = 20A  
4600W TOPS = 30A

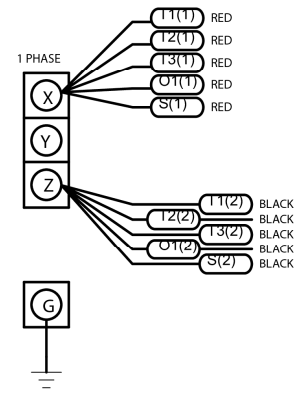
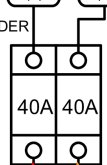


# Cool Selected

Cook off Cool Switch in Cool  
Door Closed  
(Top Sections & Salamander not shown)

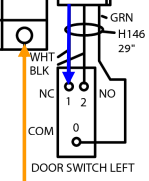
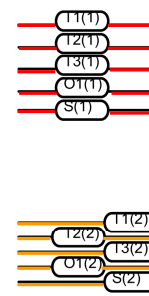


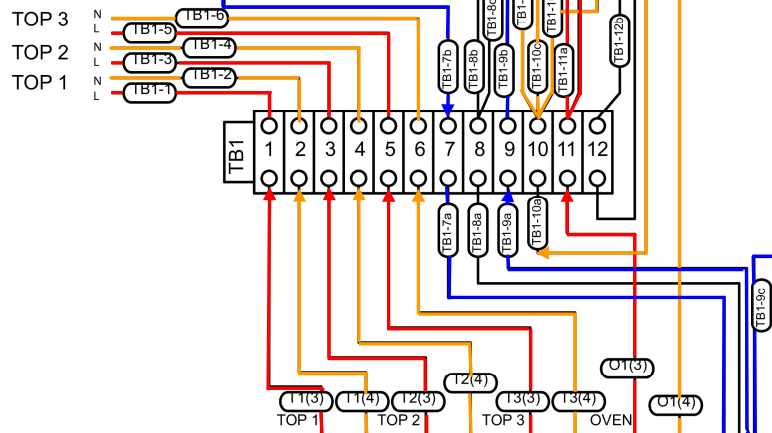
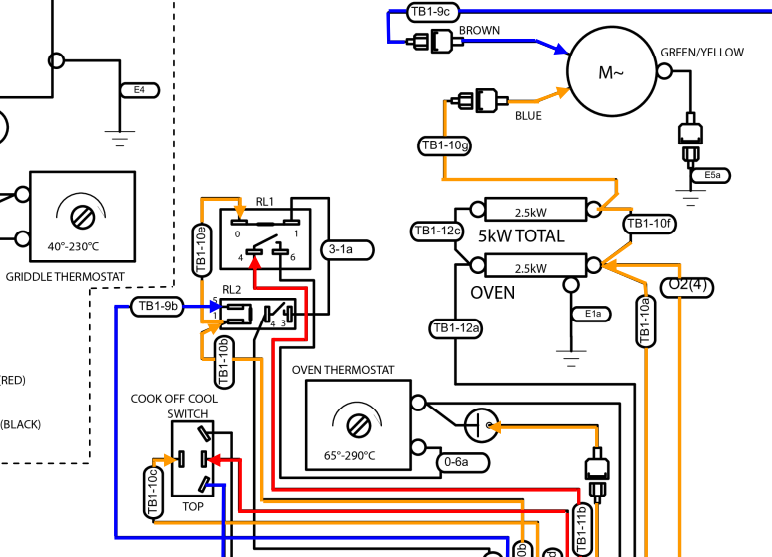
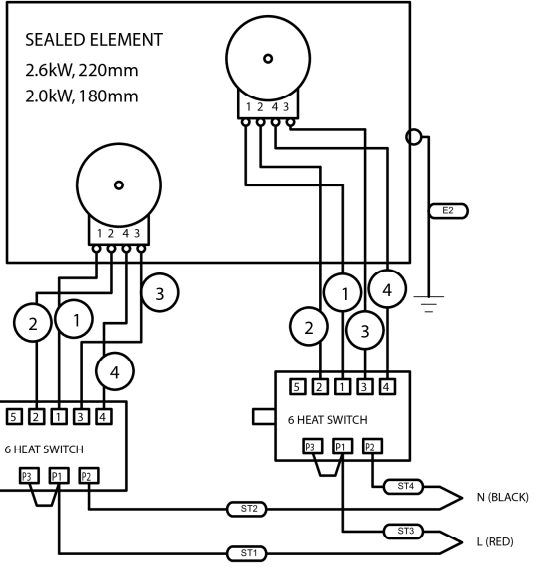
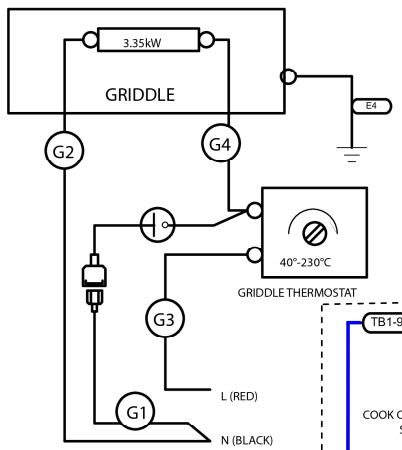
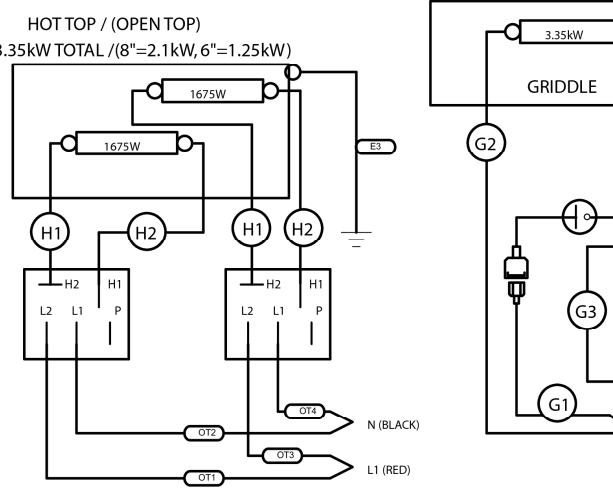
— L1 Uninterrupted  
— L2 Uninterrupted  
— Switched L1



TOP 1 RED  
TOP 2 RED  
TOP 3 RED  
OVEN 1 RED  
SALAMANDER RED

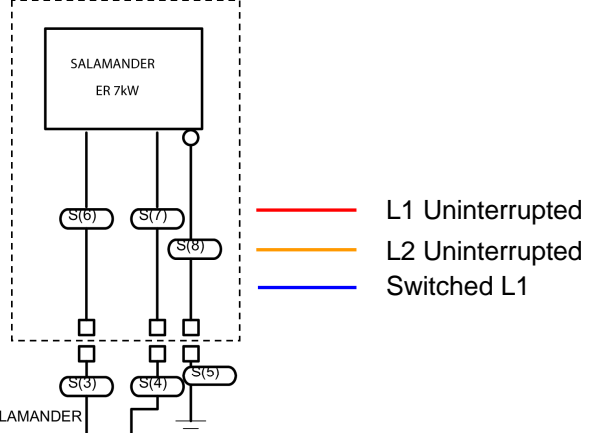
TOP 1 BLACK  
TOP 2 BLACK  
TOP 3 BLACK  
OVEN 1 BLACK  
SALAMANDER BLACK





3350W TOPS = 20A  
4600W TOPS = 30A

**Cool Selected**  
Cook off Cool Switch in Cool  
Door Open  
(Top Sections & Salamander not shown)



— L1 Uninterrupted  
— L2 Uninterrupted  
— Switched L1

