



**\* Discontinued Model  
Replacement parts still available**

## U.S. PERFORMER PF Series Restaurant Range

Item No	Part No	Description	QTY/UNIT OVEN WIDTH		
			20"	24"	28"
1	252336-2	Oven burner	1	1	1
	223005-4	Air shutter	1	1	1
2	223000	90 orifice elbow fitting	1	1	1
	223242-40	Oven burner orifice - NAT	1	1	1
	223242-52	Oven burner orifice - LP	1	1	1
3	252098-0	Oven flame spreader	1	1	1
4	252072-1	Oven aeration pan - R/H	1		
	252072-2	Oven aeration pan - L/H	1		
	252074	Oven aeration pan - R/H		1	
	252076	Oven aeration pan - L/H		1	
	252078	Oven aeration pan - R/H			1
	252080	Oven aeration pan - L/H			1
5	223265	Adjustable legs	4	4	4
	223258	Casters (each) - locking brake Optional	2	2	2
	223257	Casters (each) - non-locking Optional	2	2	2
6	252082-1	Oven inside back liner - Porcelain	1		
	252084-1	Oven inside back liner - Porcelain		1	
	252086-1	Oven inside back liner - Porcelain			1
7	252094-1	Oven inside side liner - R/H - Porc.	1	1	1
	252094-2	Oven inside side liner - L/H - Porc.	1	1	1
8	252092-01	Oven bottom pan - porcelain	1		
	252092-02	Oven bottom pan - porcelain		1	
	252092-03	Oven bottom pan - porcelain			1
9	252097	Oven bottom pan hold-down tab	2	2	2
10	226000	Oven rack - 20" x 18 1/2"	1		
	226001	Oven rack - 20" x 22 1/2"		1	
	226002	Oven rack - 20" x 26 1/2"			1
11	226009-1	Oven rack support - R/H	1	1	1
	226009-2	Oven rack support - L/H	1	1	1
12	224009	Oven door drag link	1	1	1
13	224012	Oven door rocker arm	1	1	1
14	224004	Oven door closure spring	1	1	1

**\* Discontinued Model  
Replacement parts still available**

**U.S. PERFORMER  
PF Series  
Restaurant Range**

Item No	Part No	Description	QTY/UNIT OVEN WIDTH		
			20	24"	28"
15	225003	Oven door eye bolt	1	1	1
16	225021	Oven door clevis pin	1	1	1
17	225041	Oven door bushing	2	2	2
18	252107-1	Oven door assy - BLK	1		
	252107-01	Oven door assy - S/S	1		
	252107-2	Oven door assy - BLK		1	
	252107-02	Oven door assy - S/S		1	
	252103-3	Oven door assy - BLK			1
	252107-03	Oven door assy - S/S			1
19	252101	Oven door frame assy	1		
	252105	Oven door frame assy		1	
	252109	Oven door frame assy			1
**	252102-1	Oven door liner - Porcelain	1		
	252106-1	Oven door liner - Porcelain		1	
	252110-1	Oven door liner - Porcelain			1
20	251105-2	Oven door handle	1		
	251105-3	Oven door handle		1	
	251105-4	Oven door handle			1
21	252111-1	Front kick plate - BLK	1		
	252111-01	Front kick plate - S/S	1		
	252111-2	Front kick plate - BLK		1	
	252111-02	Front kick plate - S/S		1	
	252111-3	Front kick plate - BLK			1
	252111-03	Front kick plate - S/S			1
22	227016	Oven pilot burner - manual pilot	1	1	1
23	223181	Oven pilot orifice - NAT	1	1	1
	223182	Oven pilot orifice - LP	1	1	1
24	227002	Thermocouple	1	1	1
25	227071	Oven pilot safety valve - (BASO)	1	1	1
	282534	Oven pilot safety valve bracket	1	1	1
26	228137	Mag head replacement kit	1	1	1

**\*\*Item not shown on drawing**

**\* Discontinued Model  
Replacement parts still available**

## U.S. PERFORMER PF Series Restaurant Range

Item No	Part No	Description	QTY/UNIT OVEN WIDTH		
			20"	24"	28"
27	227019	Oven thermostat	1	1	1
	223172	Thermostat saddle mount	1	1	1
28	224022	Thermostat dial only	1	1	1
	228111	Thermostat bezel only	1	1	1
29	252174-1	Control cover - R/H - BLK	1	1	1
	252174-01	Control cover - R/H - S/S	1	1	1
	252174-2	Control cover - L/H - BLK	1	1	1
	252174-02	Control cover - L/H - S/S	1	1	1

Item No	Part No	Description	QTY/UNIT OVEN WIDTH					
			24"	36"	48"	60"	72"	
30	227053	Open top burner valve - w/o orifice	QUANTITIES DEPEND ON TOP ARRANGEMENTS.					
	223242-46	Open burner orifice - NAT						
	223242-56	Open burner orifice - LP						
	223242-44	Hot top / griddle orifice - NAT						
	223242-54	Hot top / griddle orifice - LP						
	223242-53	Broiler / griddle orifice - NAT						
	223242-61	Broiler / griddle orifice - LP						
	227006	Burner valve - Adj. orifice (P/S only)						
**	227000-1	Griddle thermostat						
	224000	Griddle thermostat - dial only						
	228112	Griddle thermostat - bezel only						
31	227199	Pilot valve/Single - adjustable						
32	253062-2	Open burner pilot tubing assy						
33	252133-2	Hot / top griddle pilot tubing assy						
34	224002	Burner valve knob						
35	252176-8	Valve cover-open burner	x					
	252176-2	Valve cover-open burner		x				
	252176-3	Valve cover-open burner			x			
	252176-4	Valve cover-open burner				x		
	252176-5	Valve cover-open burner					x	
	252178-1	Valve cover - Hot top / Griddle	x					
	252178-2	Valve cover - Hot top / Griddle		x				

**Discontinued Model  
Replacement parts still available**

## U.S. PERFORMER PF Series Restaurant Range

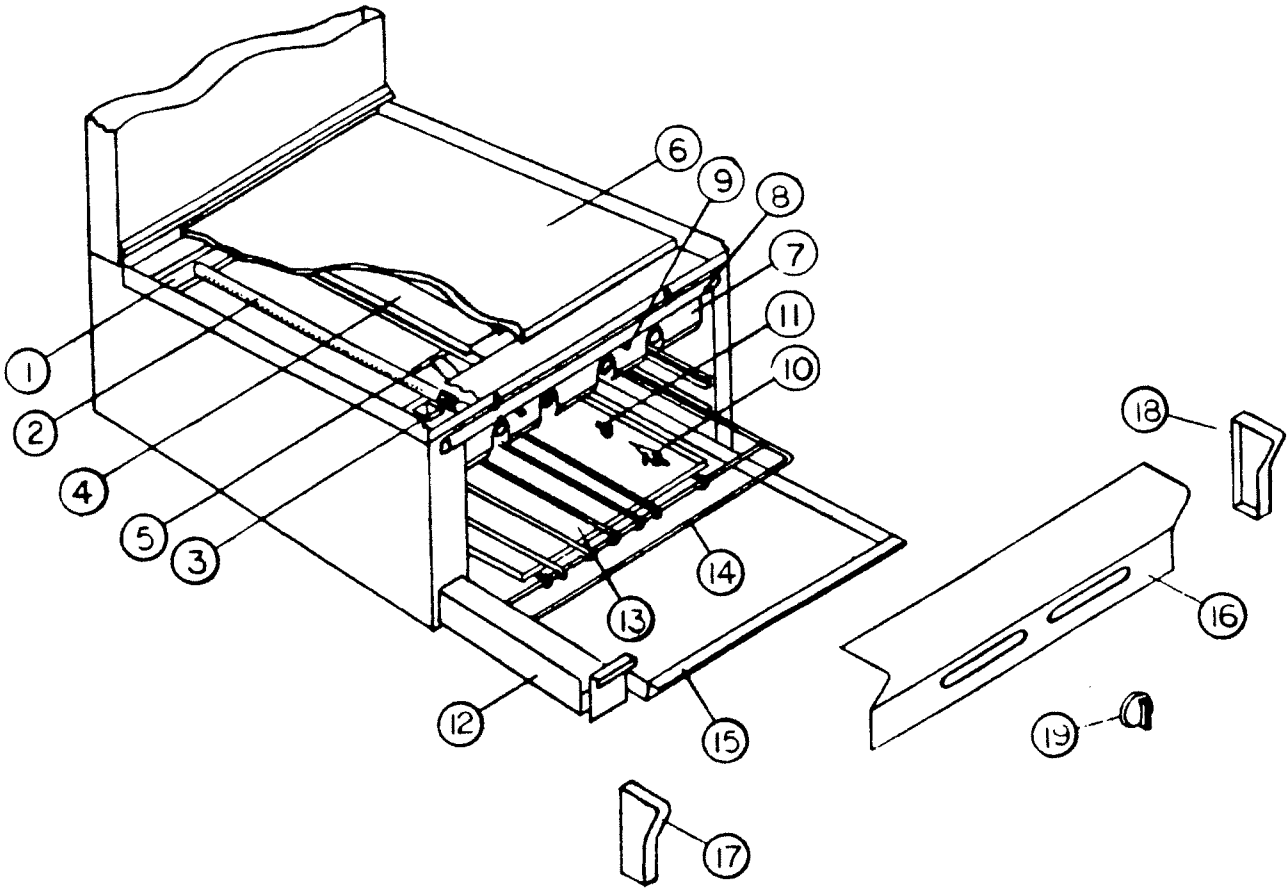
Item No	Part No	Description					
			24"	36"	48"	60"	72"
	252178-3	Valve cover - Hot top / Griddle			x		
	252178-4	Valve cover - Hot top / Griddle				x	
	252178-5	Valve cover - Hot top / Griddle					x
36	222043-1	Rim roll bracket - R/H - obsolete	x	x	x	x	x
	222043-2	Rim roll bracket - L/H - obsolete	x	x	x	x	x
37	252336-1	Hot top / Griddle burner - complete	Quantities depend on top arrangements				
	223005-4	Air shutter only					
38	282554	Open burner - front - complete					
39	282555	Open burner - rear - complete					
40	222162	Open burner - head only					
	225233	Screw - (Burner head to venturi)					
41	224005-1	Open burner - Gasket only - Steel ven.					
	224005	Gasket - Cast iron / Venturi only					
42	222172	Open burner venturi - Front - Steel					
43	224005	Open burner venturi - Rear - Steel					
44	223005	Air shutter - (Cast iron venturi only)					
	272051	Open burner hanger					
45	252122-1	Open burner air pan (all burner units)					
	252122-2	Open burner air pan - (2-burner units)					
46	222135-1	Open burner top grate - BLK					
47	222142	Hot top grate - 12"					
48	252125-1	Griddle plate assy	x				
	252125-2	Griddle plate assy		x			
	252125-3	Griddle plate assy			x		
	252125-4	Griddle plate assy				x	
	252125-5	Griddle plate assy					x
49	252182-1	Drip pan - 12" wide	Quantities depend on top arrangements				
	252182-2	Drip pan - 24" wide					
	252182-3	Drip pan - 36" wide					
50	252114-0	Grease can - (griddles only)	x	x	x	x	x
**	228052-13	Pressure regulator - 3/4" NAT	x	x	x	x	x
	228052-14	Pressure regulator - 3/4" LP	OPTIONAL				

\* Electric Ignition replacements parts - OBSOLETE - SEE KITS BELOW

	252355-1	Conversion kit - open top - Electronic ignition to manual.
	252355-2	Conversion kit - oven - Electronic ignition to manual.

**\* Discontinued Model  
Replacement parts still available**

**U.S. PERFORMER  
PF Series  
Broiler Griddle Option**



Item No	Part No	Description	12"   24"	
			12"	24"
1	252403	Rear burner hanger / baffle	1	
	252281	Rear burner hanger / baffle		1
2	222080	Burner tube	2	4
3	223005	Air shutter	2	4
4	252405	Radiant	2	
	252286	Radiant		4
5	253063-2	Trailer pilot assy	2	
	252290	Trailer pilot assy		4

**\* Discontinued Model  
Replacement parts still available**

## U.S. PERFORMER PF Series Broiler Griddle Option

Item No	Part No	Description	12"	24"
6	252409	Griddle plate assy	1	
	252283	Griddle plate assy		1
7	252400	Front burner assy	1	
	252280	Front burner assy		1
8	252029-176	Manifold assy	1	
	252310	Manifold pipe		1
9	227199	Pilot valve - Single (adjustable)	2	4
10	227053	Burner valve w/o orifice	2	4
11	223242-53	Burner orifice - NAT	2	4
	223242-61	Burner orifice - LP	OPTIONAL	
12	252292	Grease can assy	1	1
13	252315-1	Grease catcher assy	1	
	252315	Grease catcher assy		1
14	226048	Broiler rack - 9 1/4" x 21 1/4"	1	
	226035-1	Broiler rack - 19 7/16" x 21 1/4"		1
15	252416	Drip pan	1	
	252297	Drip pan		1
16	252418	Valve cover - high broiler	1	
	252307	Valve cover - high broiler		1
	*SPECIAL*	Valve cover - w/cabinet below		
17	222043-2	Rim roll bracket - L/H - obsolete	1	1
18	222043-1	Rim roll bracket - R/H - obsolete	1	1
19	224002	Burner valve knob	2	4

NOTE: Following internal parts not shown:

252277	Side liner - R/H - low broiler	1	1
252318	Side liner - L/H - low broiler	1	1
252394-1	Side liner - R/H - high broiler	1	
252274-1	Side liner - R/H - high broiler		1
252394-2	Side liner - L/H - high broiler	1	
252274-2	Side liner - L/H - high broiler		1