

PARTS LIST

GARLAND

MCO-ES-10

MCO-ED-10

**ELECTRIC
CONVECTION
OVENS**

Continuous product improvement is a Garland policy, therefore specifications and design are subject to change without notice.

GARLAND®

A **WELBILT** Company

GCI-R157

Garland Commercial Industries, Inc.
Freeland, Pennsylvania 18224

Phone (717) 636-1000
FAX: (717) 636-3903

Printed in the U.S.A.
PSIM5832705

PRICE—\$2.50

Continuous product improvement is a Garland policy, therefore specifications and design are subject to change without notice.

GARLAND®

A **WELBILT** Company

GCI-R157

Garland Commercial Industries, Inc.
Freeland, Pennsylvania 18224

Phone (717) 636-1000
FAX: (717) 636-3903

Printed in the U.S.A.
PSIM5832705

PRICE—\$2.50

INDEX

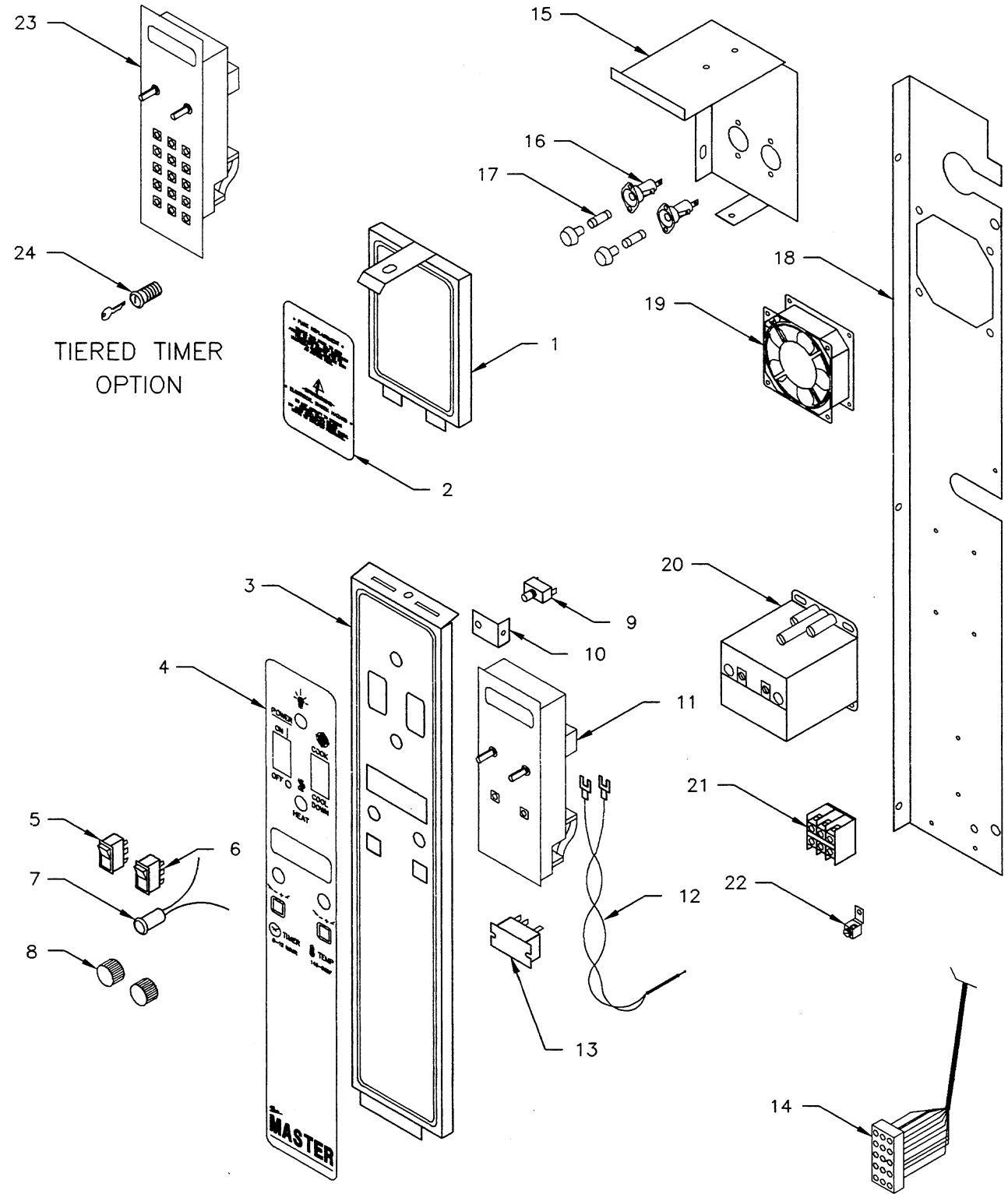
ELECTRONIC CONTROL PANEL	3
MANUAL CONTROL PANEL	5
DEPENDENT DOOR COMPONENTS	7
INDEPENDENT DOOR COMPONENTS	9
OVEN COMPONENTS	11
MAIN EXTERIOR	15

EXPLANATION OF MODEL NUMBER

M C O - E S - 10 E
1 2 3 4 5 6 7

POSITION 1 - M - MASTER
2 - C - CONVECTION
3 - O - OVEN
4 - E - ELECTRIC UNIT
5 - S - STANDARD DEPTH
6 - 10 - SINGLE DECK
7 - E - ELEC CONTROL PANEL

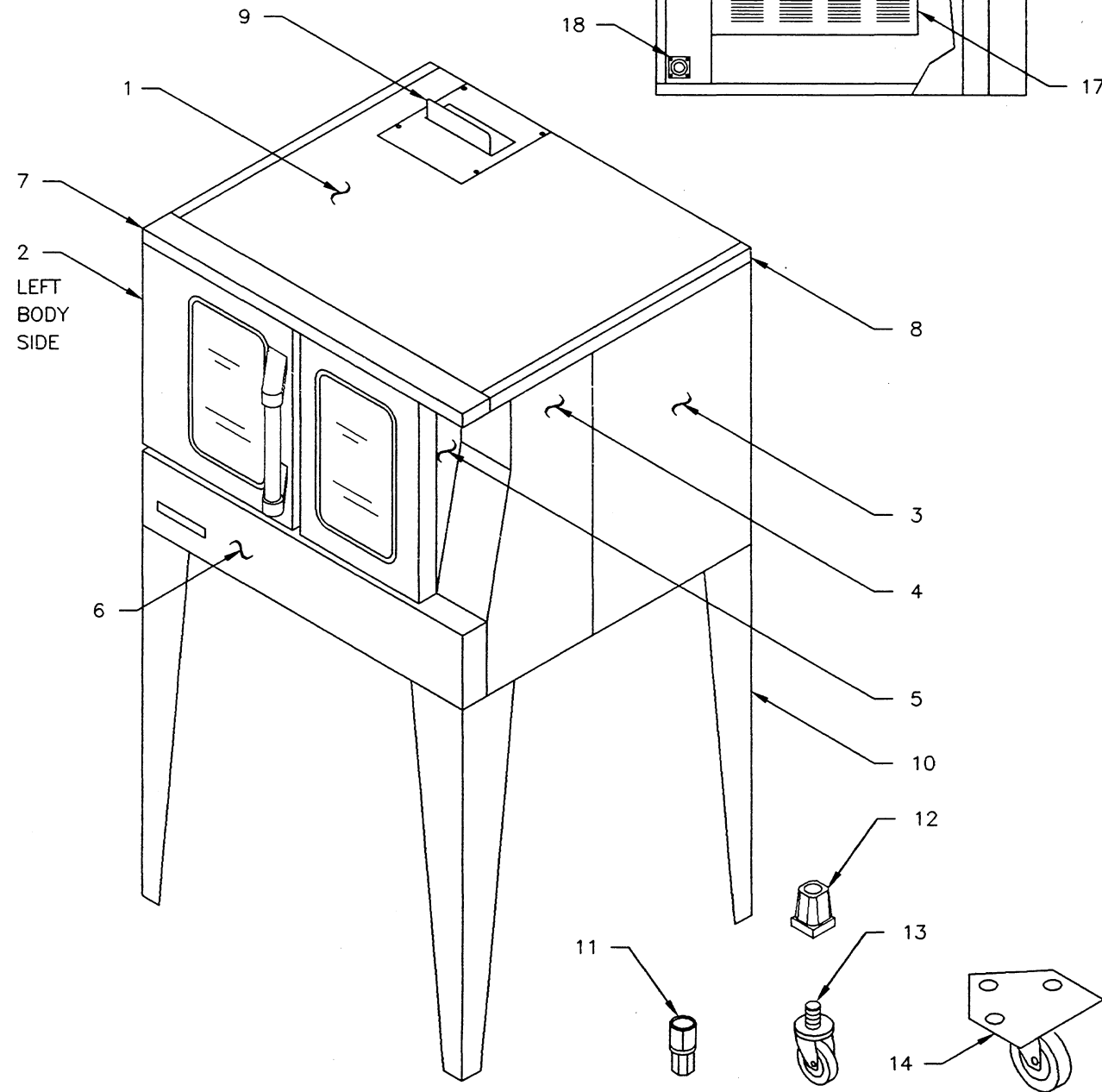
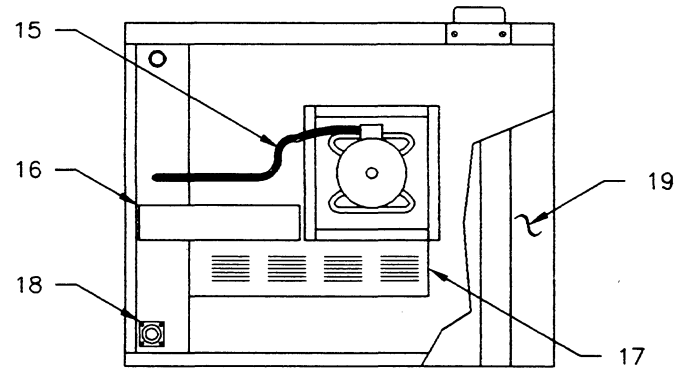
IF POSITION 5 IS D, THE UNIT IS DEEP DEPTH
6 IS 20, THE UNIT IS DOUBLE DECK
7 IS M, THE UNIT IS MANUAL CONTROLS
7 IS A, THE UNIT HAS INDEPENDENT DOORS
AND MANUAL CONTROLS



MAIN EXTERIOR

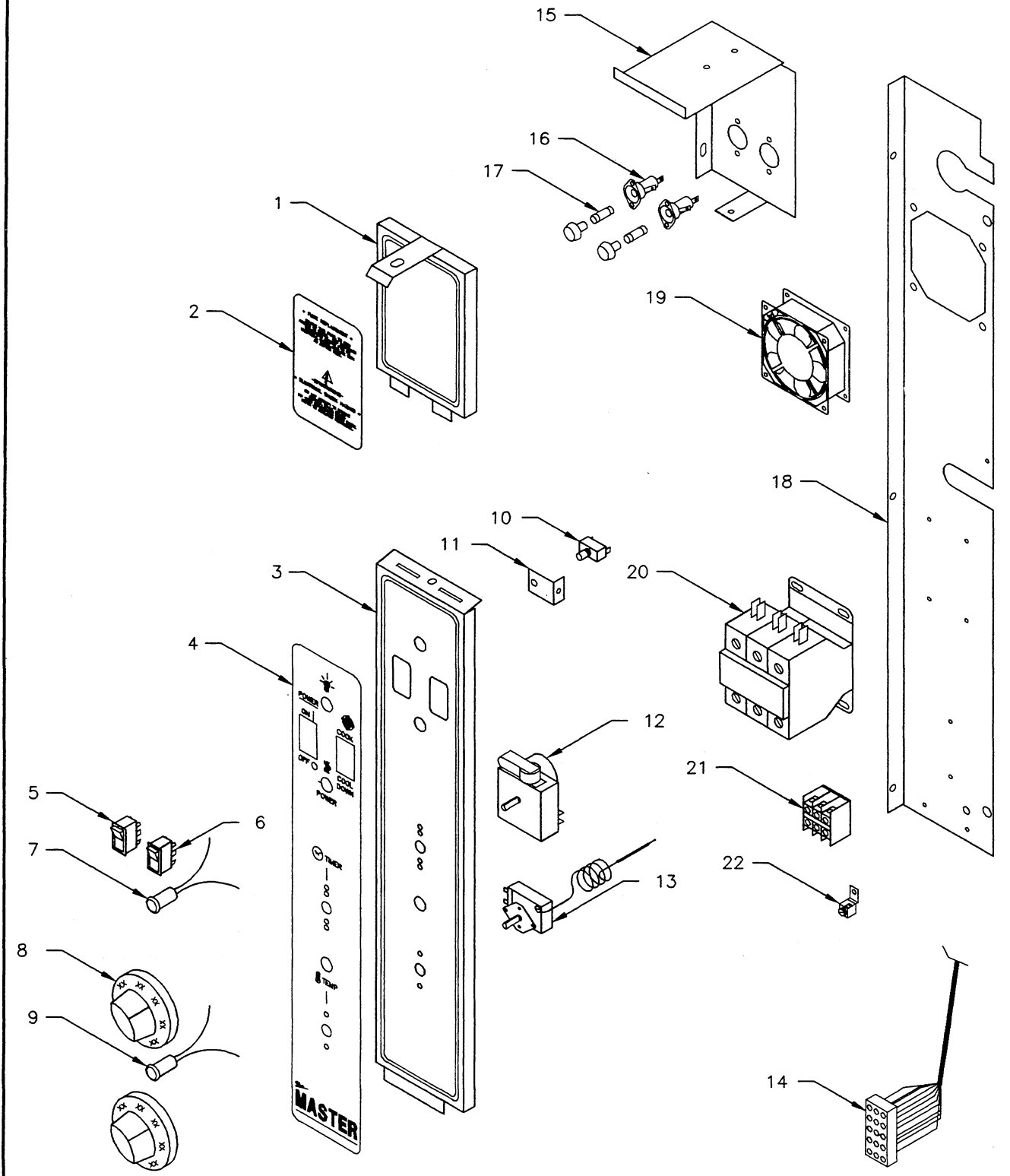
ITEM	PART #	DESCRIPTION	QTY
1	1802801	MAIN TOP - BLACK	1
	1802802	MAIN TOP - SS	1
2	1785404	BODY SIDE LEFT - BLACK	1
	1785402	BODY SIDE LEFT - SS	1
3	1785403	BODY SIDE RIGHT - BLACK	1
	1785401	BODY SIDE RIGHT - SS	1
4	1785398	CONTROL PANEL SIDE - RT - BLACK	1
	1785399	CONTROL PANEL SIDE - RT - SS	1
5	1802701	CONTROL PANEL LEFT - SS	1
6	1807202	COMBUSTION CHAMBER	1
7	1802201	TRIM CAP VENEER	1
8	1829101	MAIN TOP SIDE TRIM	2
9	1818201	OVEN VENT PLATE - STD	1
	1818203	OVEN VENT PLATE - DEEP	1
10	1805299	LEG - SINGLE DECK - BLACK	4
	1805298	LEG - SINGLE DECK - SS	4
	1805399	LEG - DOUBLE DECK - BLACK	4
	1805398	LEG - DOUBLE DECK - SS	4
11	1236100	SQUARE FOOT INSERT	4
12	1775102	CASTER INSERT - SINGLE DECK	4
13	1027500	CASTER - SINGLE DECK	2
	1027501	CASTER W/BRAKE - SINGLE DECK	2
14	1821599	CASTER W/BRAKE - DOUBLE DECK	2
	1821598	CASTER - DOUBLE DECK	2
	1821597	LO PROFILE CASTER W/BRAKE - DOUBLE DECK	2
	1821596	LO PROFILE CASTER - DOUBLE DECK	2
15	1029426	BX CABLE 3/8 - 26" LONG	1
16	1823001	ELEMENT RACEWAY	1
17	1048299	ELEMENT BOX	1
18	1032504	KNOCKOUT PLATE - BLACK	1
19	1820302	MAIN BACK - BLACK - STANDARD	1
	1820304	MAIN BACK - BLACK - DEEP	1
	1820301	MAIN BACK - SS - STANDARD	1
	1820303	MAIN BACK - SS - DEEP	1

REAR VIEW

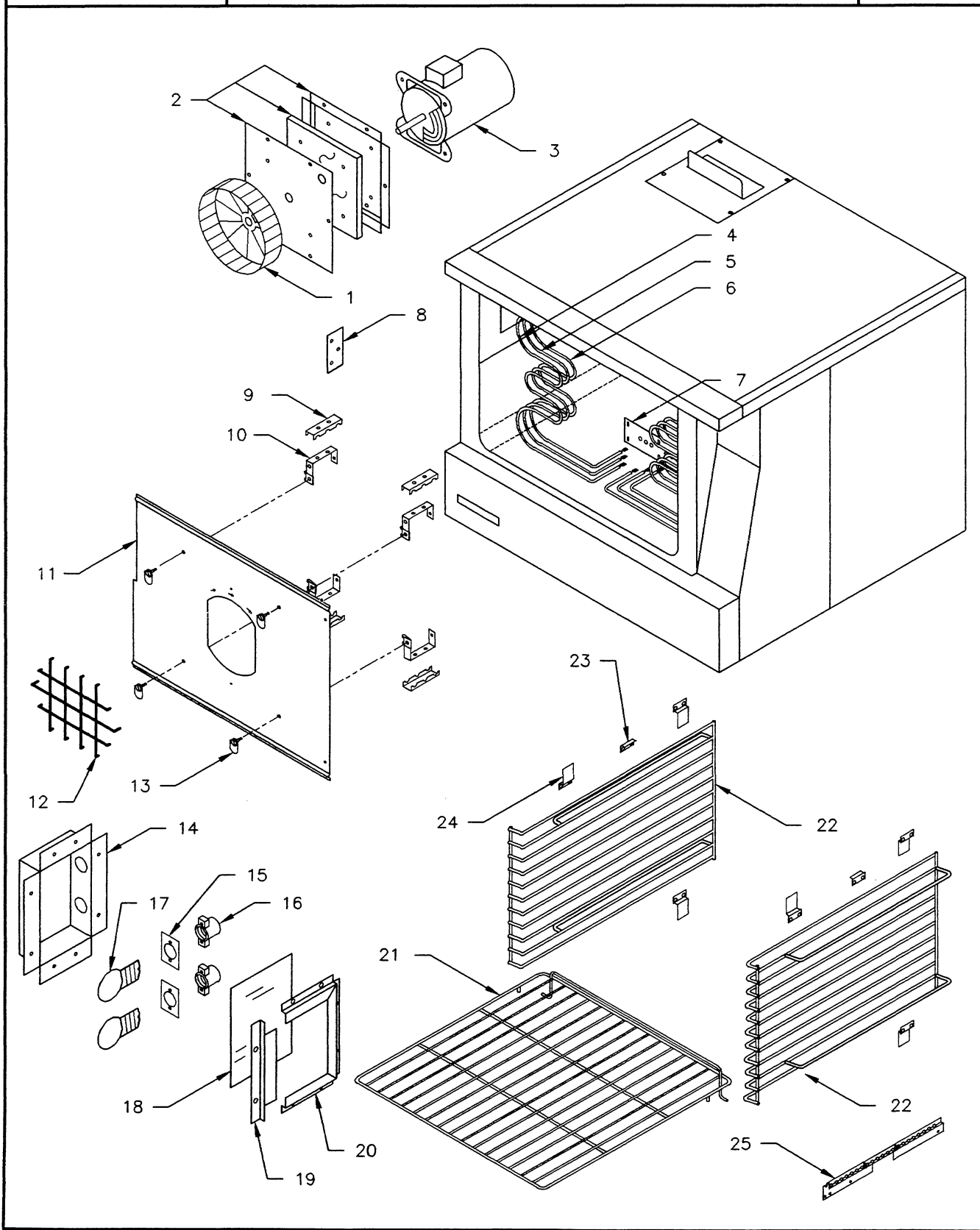


ELECTRONIC CONTROL PANEL COMPONENTS

ITEM	PART #	DESCRIPTION	QTY
1	1802599	CONTROL PANEL TOP	1
2	1789606	OVERLAY	1
3	1802597	CONTROL PANEL	1
4	1789601	OVERLAY - 2 SPEED	1
	1789602	OVERLAY - 1 SPEED	1
5	1019207	ROCKER SW - 3 POS - 2 SPEED	1
	1019203	ROCKER SW - 2 POS - 1 SPEED	1
6	1019209	ROCKER SWITCH	1
7	1006498	PILOT LIGHT - AMBER	1
8	1720501	KNOBS	2
9	1181000	MOMENTARY SWITCH	1
10	1749201	PANEL RESTRAINING BRACKET	1
11	1517706	CONTROL	1
12	9006800	TEMPERATURE PROBE	1
13	1771602	RELAY 120V 2 POLE	1
14	1804711	CONTROL PANEL HARNESS	1
15	1805999	FUSE PANEL	1
16	1130102	FUSE HOLDER	2
17	1130103	FUSE	2
18	1784501	CONTROL AREA BACK PANEL	1
19	1671103	COOLING FAN	1
20	9005400	MERCURY CONTACTOR	1
21	1193900	TERMINAL BLOCK	1
22	1028400	GROUND LUG	1

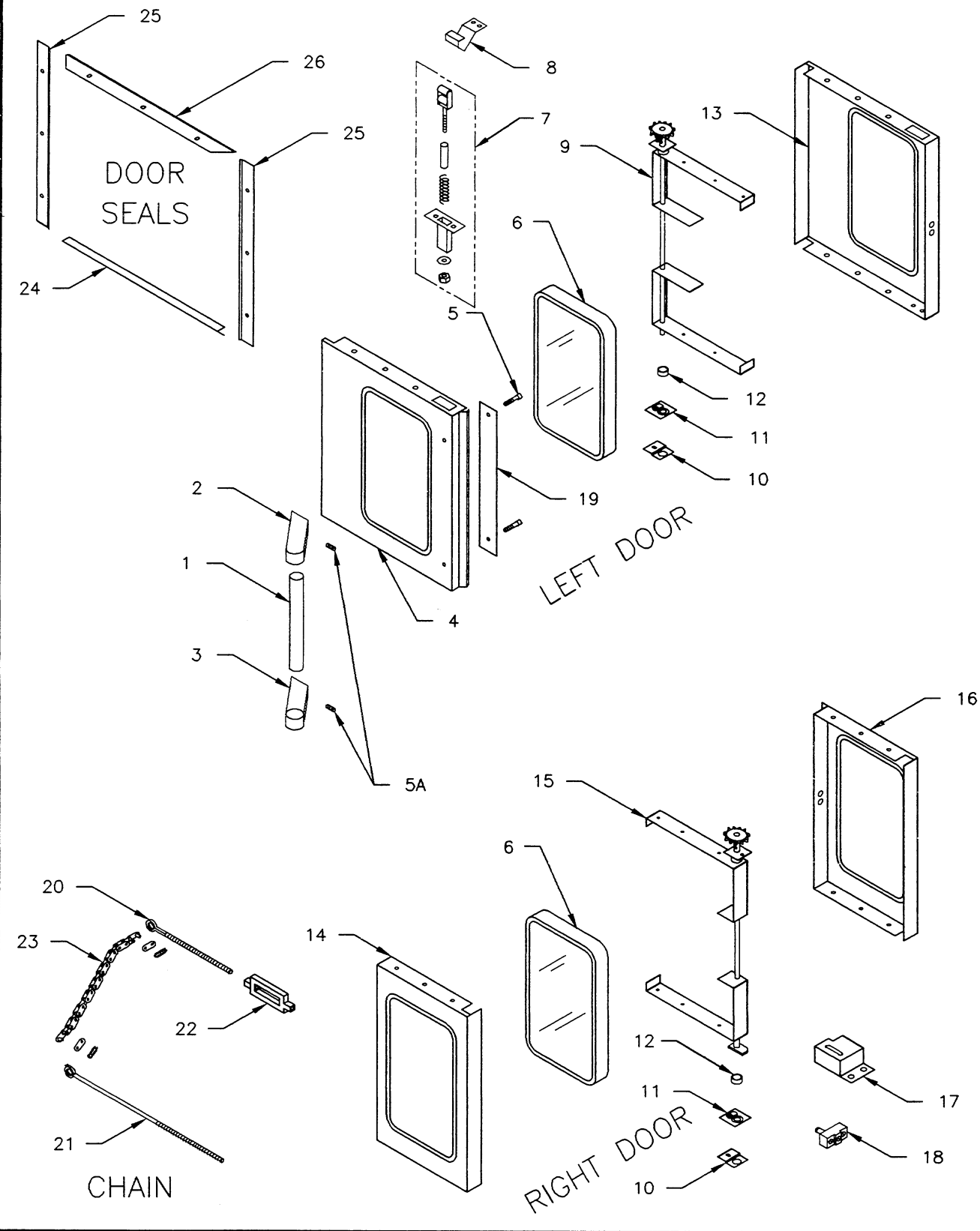


	1015799	CAPILLARY TUBE GUARD - MANUAL	1
	1809699	OVEN LIGHT PATCH - PORCELAIN USED TO COVER LIGHT BOX OPENING FOR UNITS WITH NO INTERIOR LIGHTS	
		ELEMENT ASSY - ITEMS 4,5,6,7,9,10 CK1032199 - 208V CK1032198 - 240V CK1032197 - 460V	
		MOTOR ASSY - ITEMS 1,2,3 CK1003091 - 2 SPEED CK1003092 - 1 SPEED	



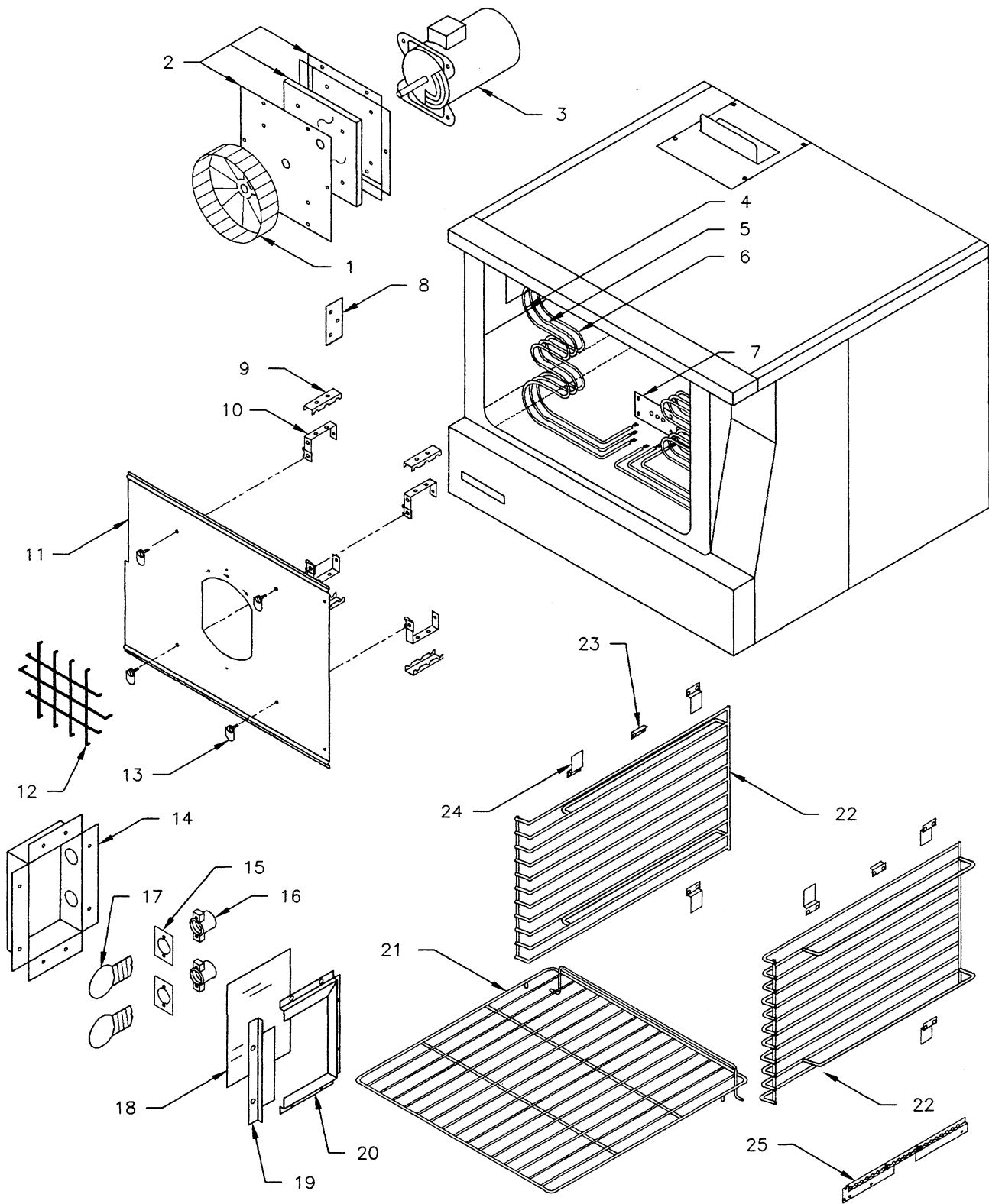
MANUAL CONTROL PANEL

ITEM	PART #	DESCRIPTION	QTY
1	1802599	CONTROL PANEL TOP	1
2	1789606	OVERLAY	1
3	1802504	CONTROL PANEL	1
4	1789603	OVERLAY - 2 SPEED	1
	1789604	OVERLAY - 1 SPEED	1
5	1019207	ROCKER SW - 3 POS - 2 SPEED	1
	1019203	ROCKER SW - 2 POS - 1 SPEED	1
6	1019209	ROCKER SWITCH - 2 POSITION	1
7	1006493	PILOT LIGHT - GREEN - 240V	1
8	1314001	DIAL	2
	1314117	INSERT - THERMOSTAT	1
	1314134	INSERT - TIMER	1
9	1006498	PILOT LIGHT - AMBER - 240V	1
10	1181000	MOMENTARY SWITCH	1
11	1749201	PANEL BRACKET	1
12	1285701	TIMER - 1 HOUR	1
13	1032400	THERMOSTAT	1
14	1804712	CONTROL PANEL HARNESS	1
15	1805999	FUSE PANEL	1
16	1130102	FUSE HOLDER	2
17	1130103	FUSE	2
18	1784501	CONTROL AREA BACK PANEL	1
19	1671103	COOLING FAN	1
20	1637002	CONTACTOR	1
21	1193900	TERMINAL BLOCK	1
22	1028400	GROUND LUG	1



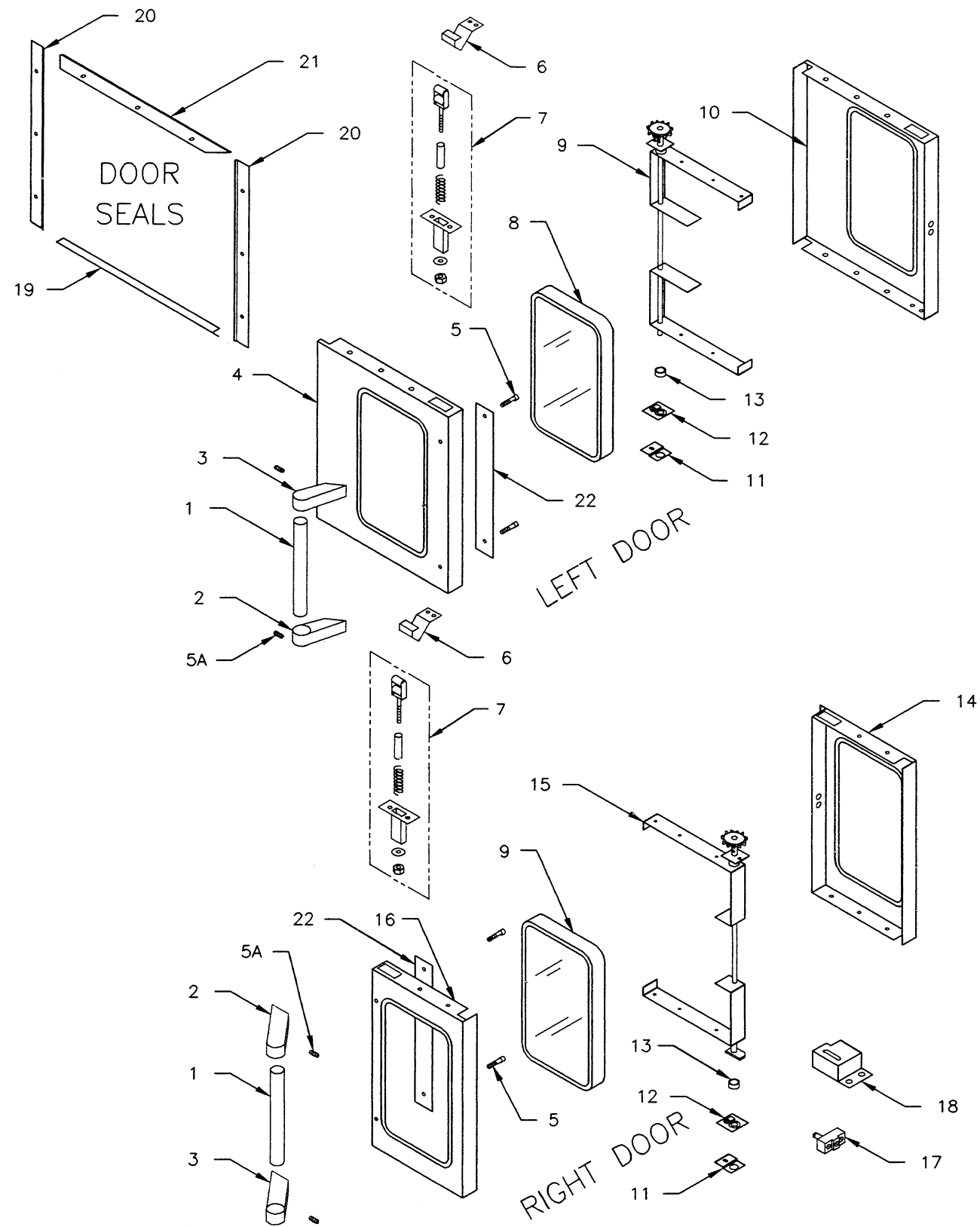
OVEN COMPONENTS

ITEM	PART #	DESCRIPTION	QTY
1	1025302	BLOWER WHEEL	1
2	1782198	MOTOR MOUNT ASSEMBLY	1
3	1686702	MOTOR - 2 SPEED	1
	1686703	MOTOR - 1 SPEED	1
4	1011099	FRONT ELEMENT - 208V	1
	1011096	FRONT ELEMENT - 240V	1
	1011090	FRONT ELEMENT - 460V	1
5	1011098	CENTER ELEMENT 208V	1
	1011095	CENTER ELEMENT 240V	1
	1011089	CENTER ELEMENT - 460V	1
6	1011097	REAR ELEMENT -208V	1
	1011094	REAR ELEMENT - 240V	1
	1011088	REAR ELEMENT - 460V	1
7	1025400	REAR ELEMENT COVER	1
8	1809301	INLET PATCH	1
9	1547200	ELEMENT SUPPORT	4
10	1533700	AIR BAFFLE SPACER	4
11	1804498	AIR BAFFLE - BLACK PORCELAIN	1
	1804499	AIR BAFFLE - CC	1
	1804402	AIR BAFFLE - SS	1
	1804403	AIR BAFFLE - AZ	1
12	1014500	BLOWER INLET COVER	1
13	8005000	1/4 TURN PIN	4
	8005100	1/4 TURN RECEPTACLE	4
14	1678701	LIGHT BOX	1
15	1025900	LIGHT SOCKET GASKET	2
16	1025800	LIGHT SOCKET	2
17	1623900	LIGHT BULB - 40W	2
18	1676901	GLASS DUPLATE	1
19	1606801	GLASS FRAME - LEFT	1
20	1606802	GLASS FRAME - RIGHT	1
21	1607000	OVEN RACK - STANDARD	5
	1607010	OVEN RACK - DEEP	5
22	1607001	RACK GUIDE - STANDARD	2
	1704502	RACK GUIDE - DEEP	2
23	1317601	RACK GUIDE HOLD DOWN BRKT	2
24	1676801	RACK GUIDE CLIP	6
25	1800801	BULB SHIELD - ELEC CONTROLS	1



DEPENDENT DOOR COMPONENTS

ITEM	PART #	DESCRIPTION	QTY
1	1664802	DOOR HANDLE	1
2	1562604	HANDLE END TOP	1
3	1562605	HANDLE END BOTTOM	1
4	1803703	LEFT DOOR PANEL WITH WINDOW	1
	1803704	LEFT DOOR PANEL SOLID	1
5	8003406	HEX HEAD MACH SCREW 1/4-20X1	2
6	1010999	WINDOW	2
7	1757998	ROLLER LATCH ASSEMBLY	1
8	1810201	DOOR CATCH	1
9	1803797	LEFT DOOR FRAME	1
10	1302800	BEARING RETAINER	2
11	1010589	HINGE BRKT ASSY W/BEARING	2
12	1011201	CHROME SPACER	2
13	1803795	LEFT DOOR LINER W/WINDOW	1
	1803796	LEFT DOOR LINER SOLID	1
14	1803712	RIGHT DOOR PANEL - SOLID	1
	1803711	RIGHT DOOR PANEL W/WINDOW	1
15	1803799	RIGHT DOOR FRAME - SOLID	1
	1803798	RIGHT DOOR FRAME W/WINDOW	1
16	1803714	RIGHT DOOR LINER - SOLID	1
	1803791	RIGHT DOOR LINER W/WINDOW	1
17	1805801	MICRO SW MTG BRKT	1
18	1019600	MICRO SWITCH	1
19	1663201	HANDLE BACK PLATE	1
20	1014201	LEFT DOOR ROD (SHORT)	2
21	1014200	RIGHT DOOR ROD (LONG)	2
22	1015000	TURNBUCKLE	2
23	1021100	ROLLER CHAIN	2
24	1679301	BOTTOM DOOR SEAL	1
25	1679303	SIDE DOOR SEAL	2
26	1679302	TOP DOOR SEAL	1
		PART NUMBER FOR DOOR ASSYS	
	1803789	LEFT WITH WINDOW DEPENDENT	
	1803784	RIGHT SOLID DEPENDENT	
	1803788	LEFT SOLID DEPENDENT	
	1803785	RIGHT WITH WINDOW DEPENDENT	



INDEPENDENT DOOR COMPONENTS

ITEM	PART #	DESCRIPTION	QTY
1	1664802	DOOR HANDLE	2
2	1562604	HANDLE END	2
3	1562605	HANDLE END	2
4	1803703	DOOR PANEL - LEFT W/WINDOW	1
	1803704	DOOR PANEL - LEFT - SOLID	1
5	8003406	HEX HEAD MACHINE SCREW	4
6	1810201	DOOR CATCH	2
7	1757998	ROLLER LATCH ASSEMBLY	2
8	1010999	WINDOW	2
9	1803797	DOOR FRAME - LEFT	1
10	1803795	DOOR LINER - LEFT W/WINDOW	1
	1803796	DOOR LINER - LEFT SOLID	1
11	1302800	BEARING RETAINER	2
12	1010589	HINGE BRKT ASSY W/BEARING	2
13	1011201	CHROME SPACER	2
14	1803794	DOOR LINER - RIGHT - SOLID	1
	1803793	DOOR LINER - RIGHT W/WINDOW	1
15	1803799	DOOR FRAME - RIGHT- SOLID	1
	1803798	DOOR FRAME - RIGHT W/WINDOW	1
16	1803708	DOOR PANEL - RIGHT - SOLID	1
	1803707	DOOR PANEL - RIGHT W/WINDOW	1
17	1019600	DOOR SWITCH	1
18	1805801	DOOR SWITCH MTG BRKT	1
19	1679301	BOTTOM DOOR SEAL	1
20	1679303	SIDE DOOR SEAL	2
21	1679302	TOP DOOR SEAL	1
22	1663201	DOOR HANDLE BACK PLATE	2
INDEPENDENT DOOR ASSEMBLIES			
	1803783	LEFT WITH WINDOW	
	1803786	RIGHT SOLID	
	1803782	LEFT SOLID	
	1803787	RIGHT WITH WINDOW	