

PARTS LIST

GARLAND[®]

MCO

GAS

CONVECTION

OVENS

Continuous product improvement is a Garland policy, therefore specifications and design are subject to change without notice.

GARLAND[®]

A **WELBILT** Company

Garland Commercial Industries, Inc.
Freeland, Pennsylvania 18224

Phone (717) 636-1000
FAX: (717) 636-3903

Printed in U.S.A.

Form GCI-R146 R-1

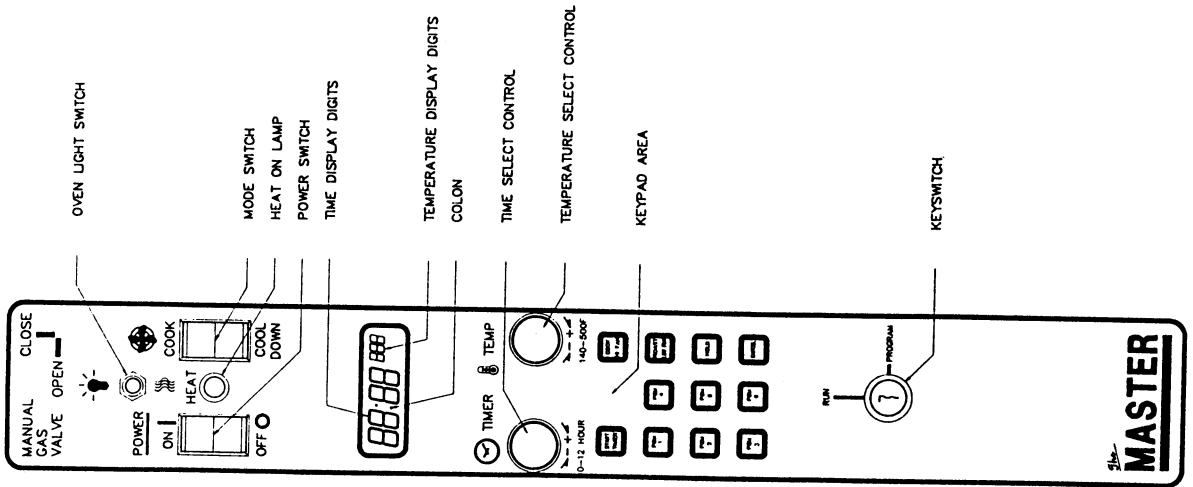
PRICE-\$2.50

May 1994

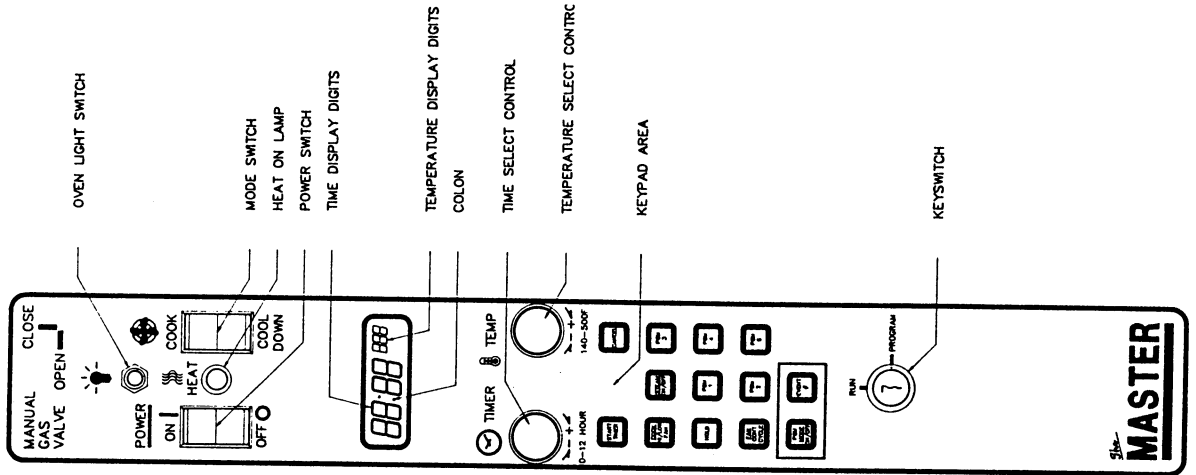
INDEX

Oven Control Components	4
Interior Oven Components with Motor Assembly	
Exterior Functional Components	10
Exterior Finish and Door Components	12
Door Assemblies	16
Stand, Open Base, Cabinet Base Breakdown	20
Double Stack Components, Direct Venting	21

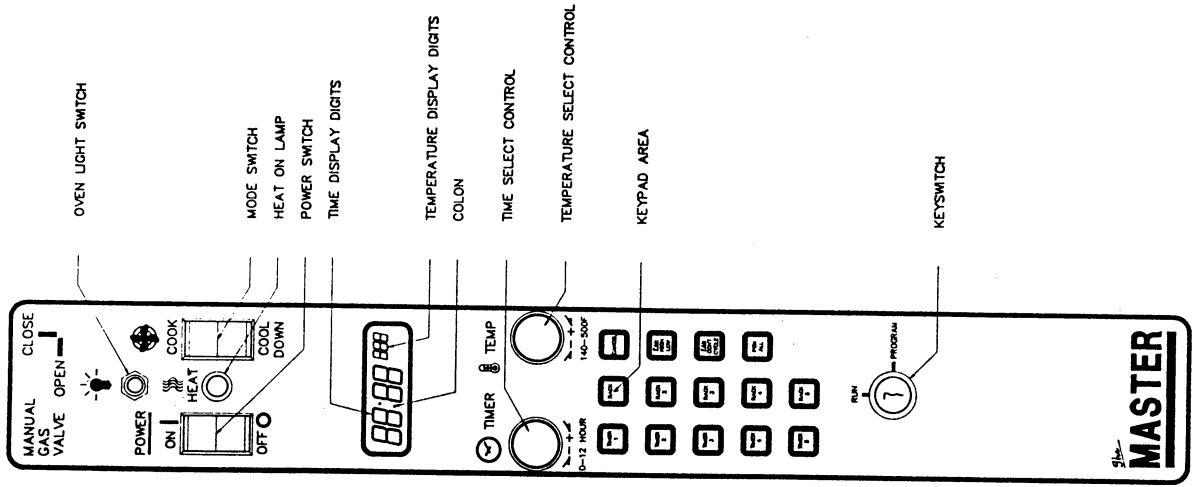
Diag. A



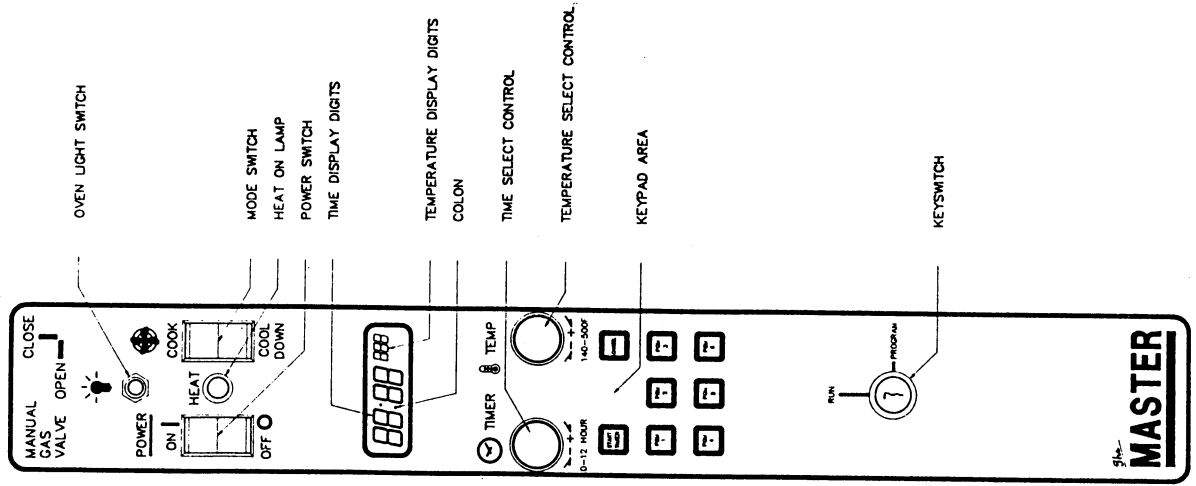
Diag. B



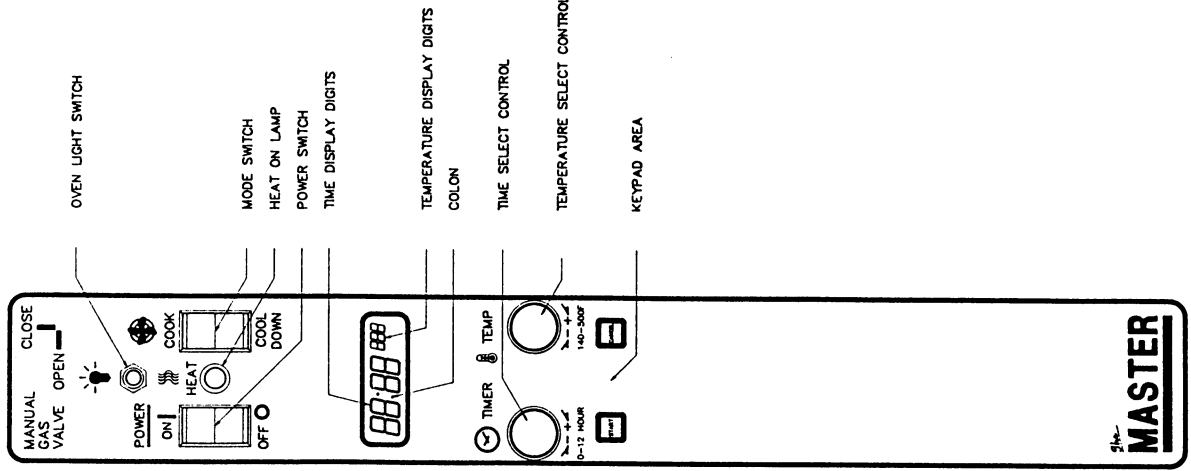
Diag. C



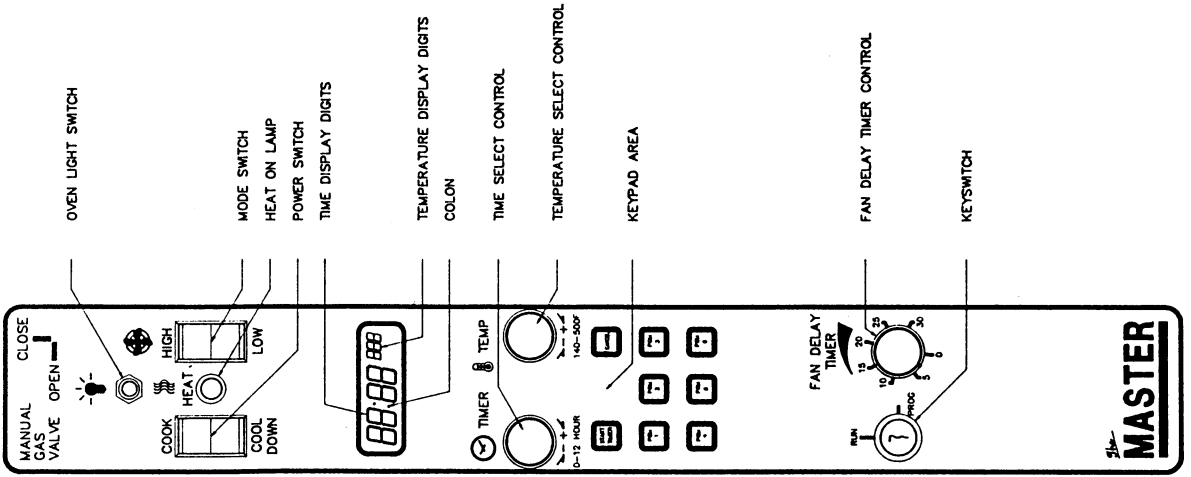
Diag. D



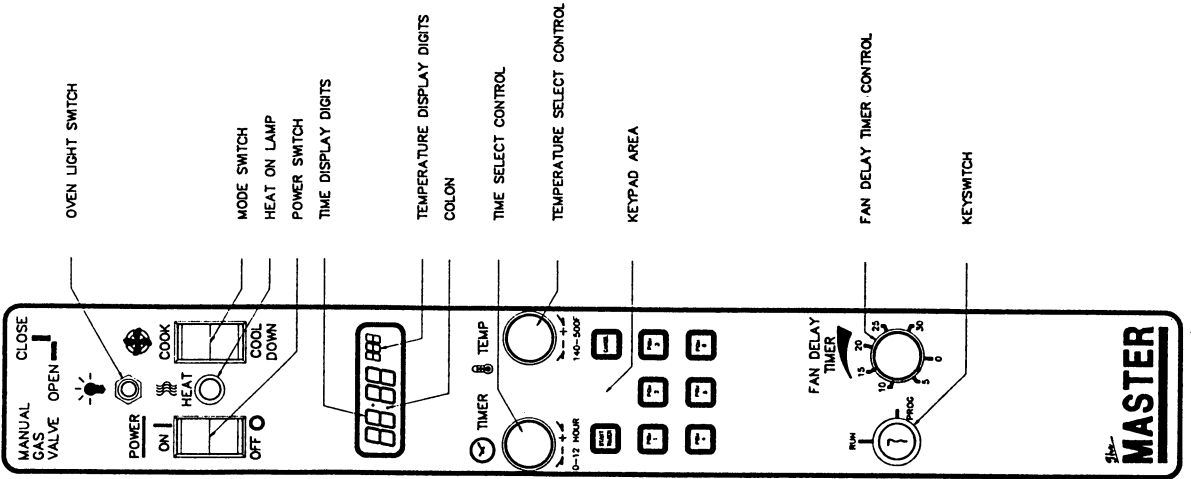
Diag. H



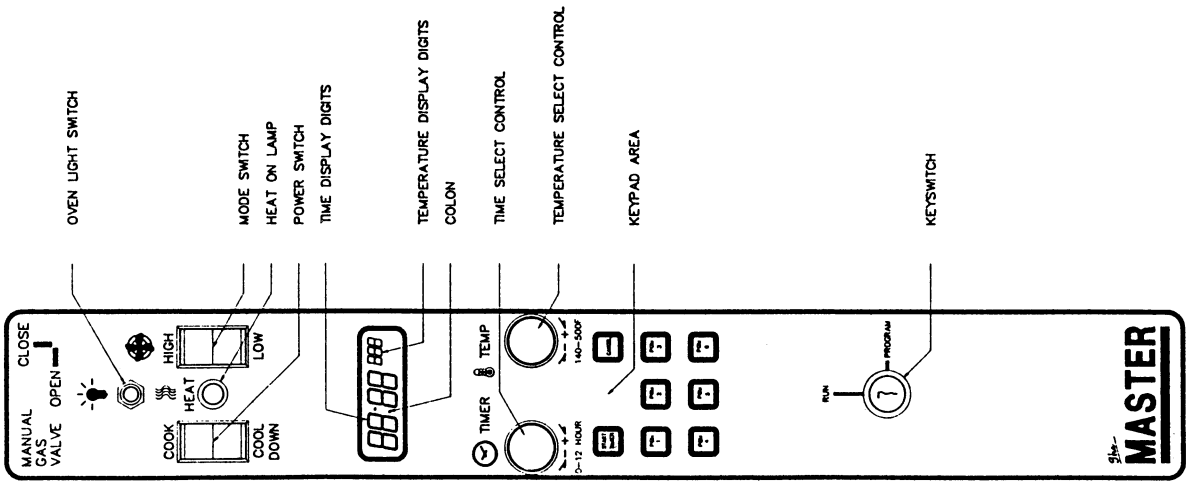
Diag. G



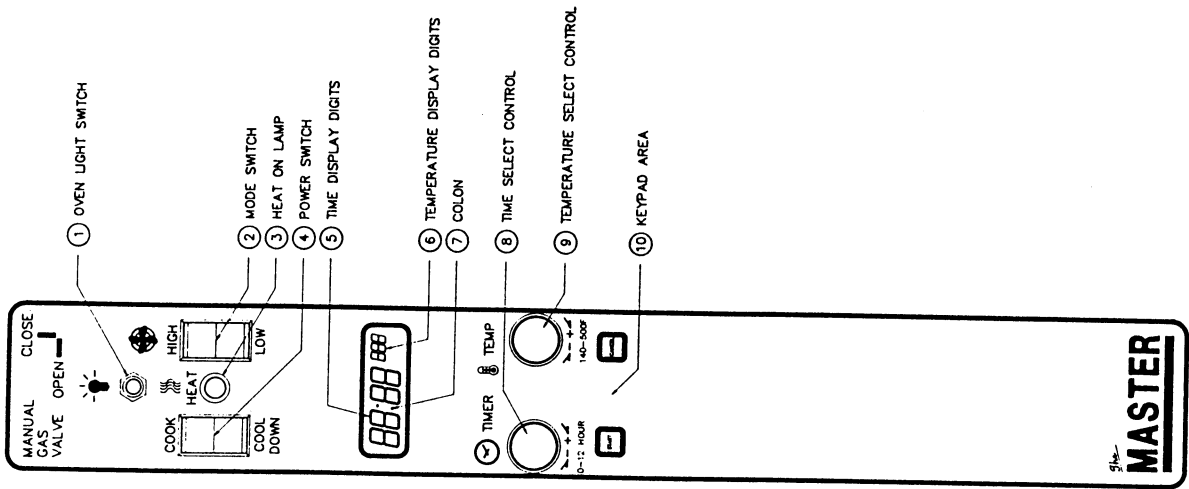
Diag. F



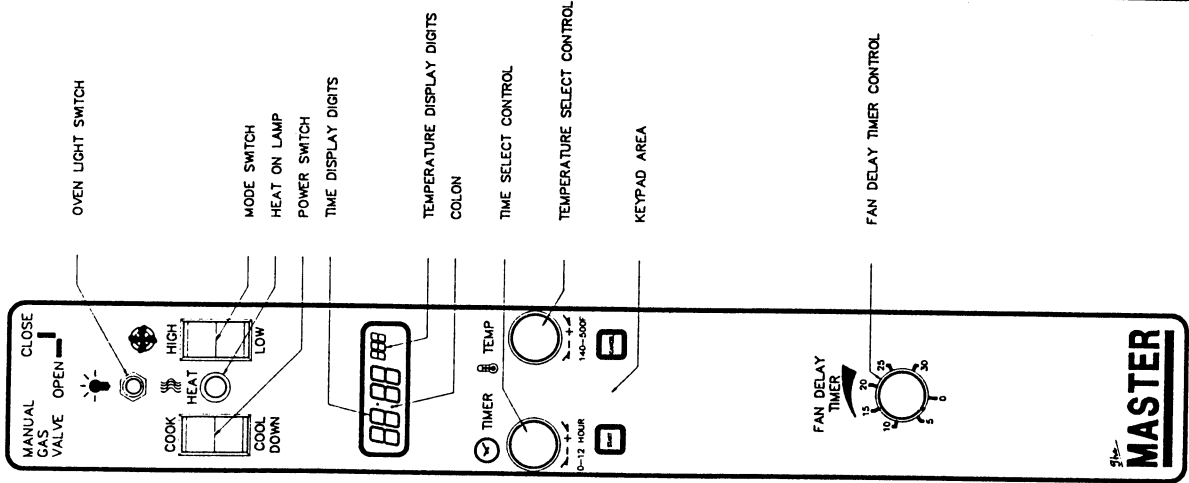
Diag. E



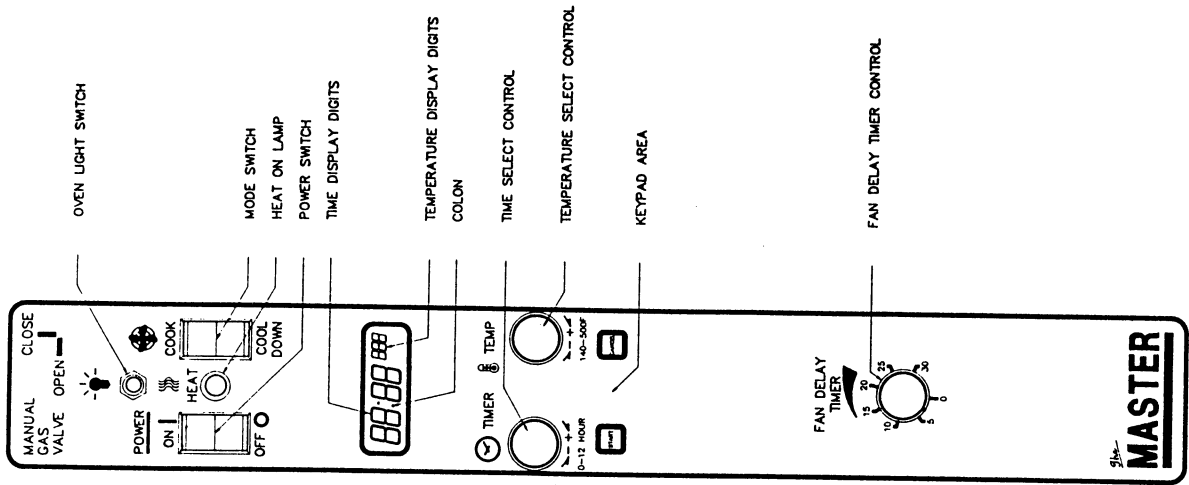
Diag. I

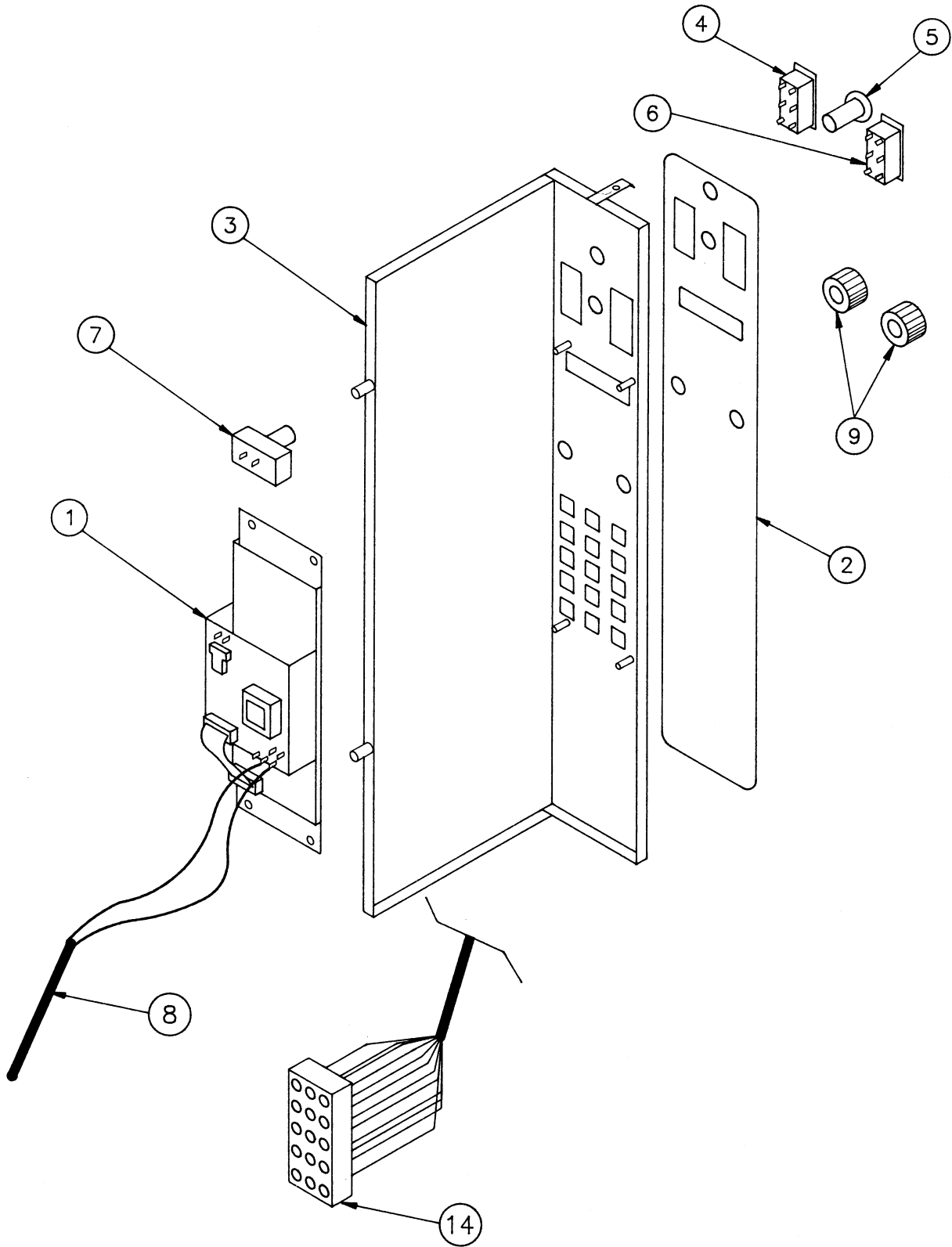


Diag. J



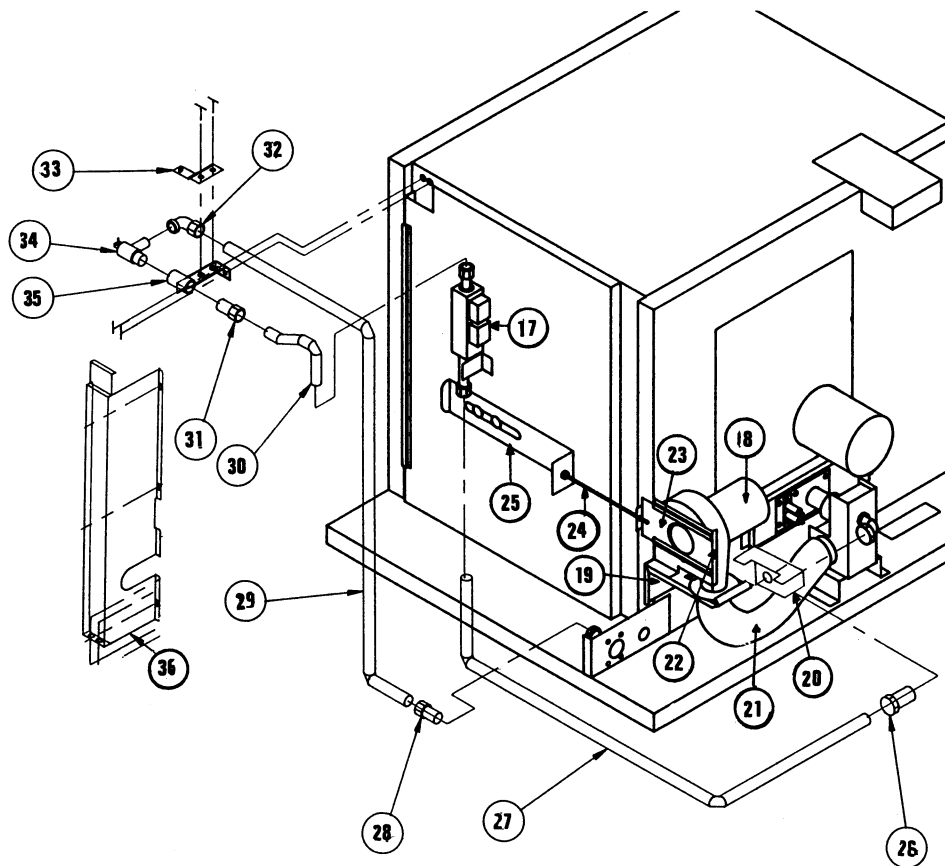
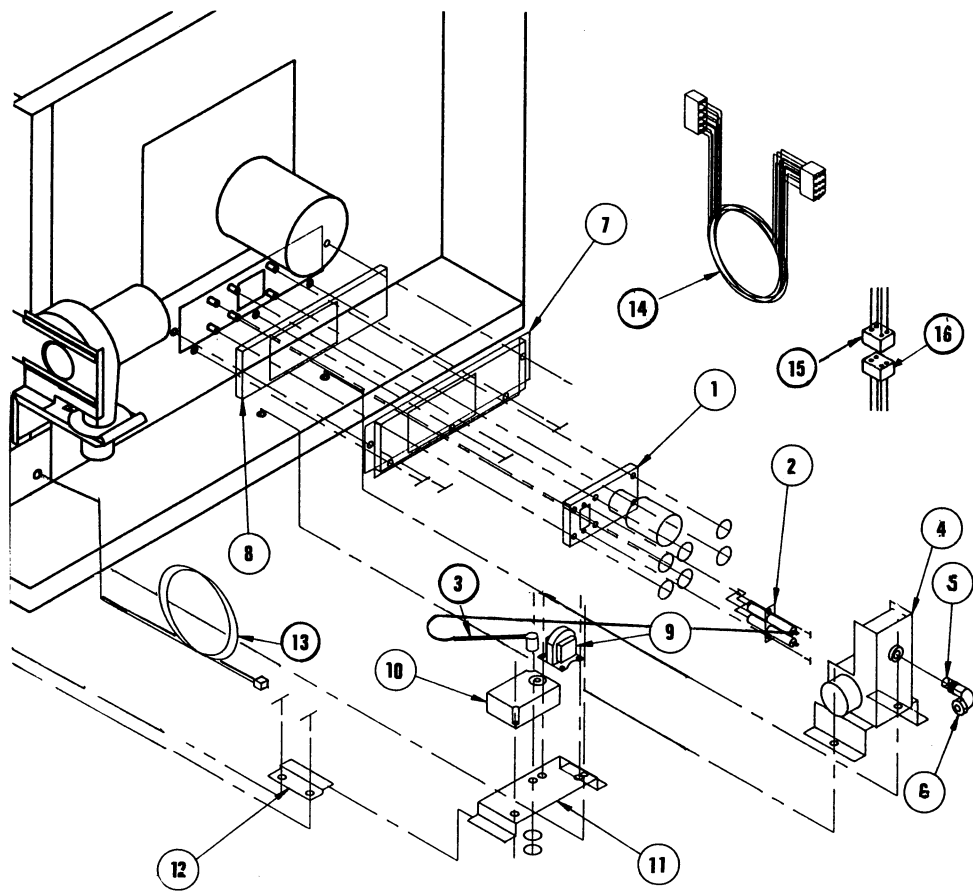
Diag. K





DIAGRAM

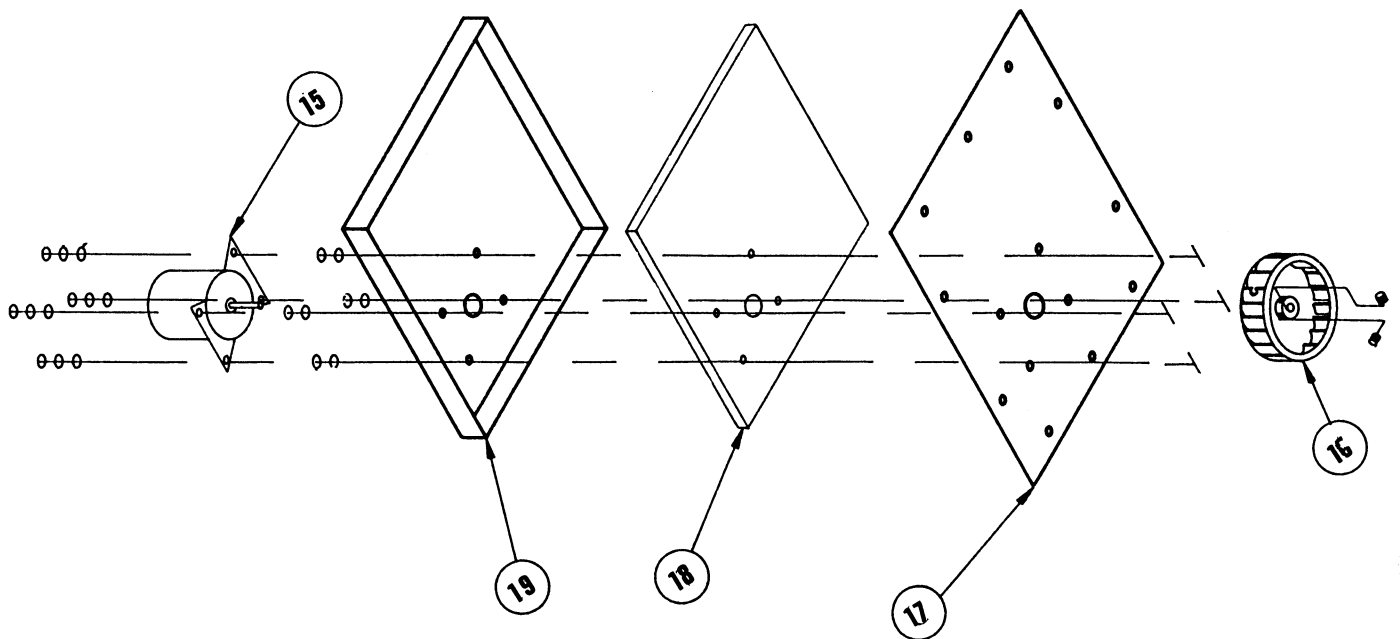
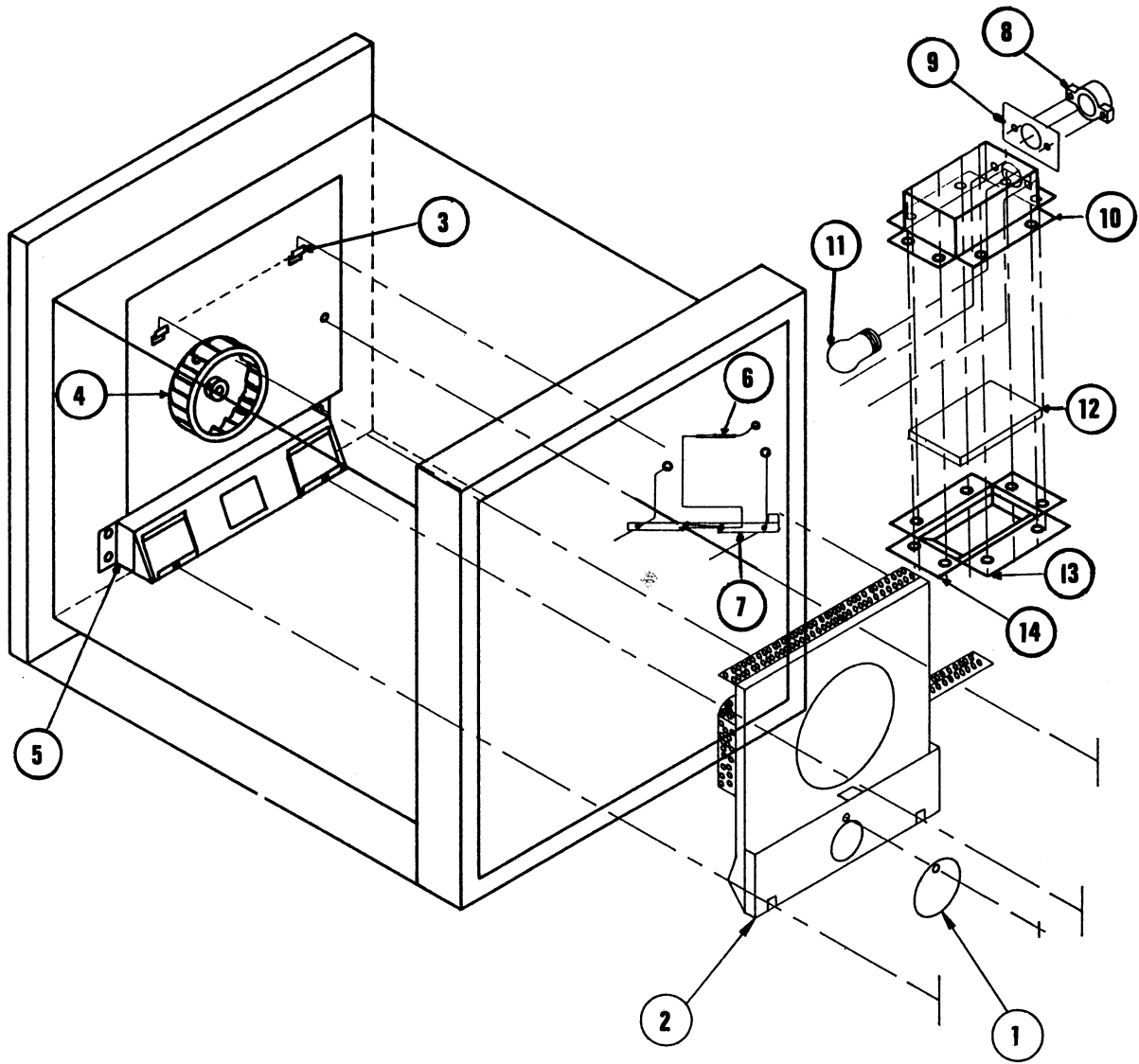
PART NO.	DESCRIPTION	A	B	C	D	E	F	G	H	I	J	K
1 1544800	Control Cook & Hold	1										
1665200	Tiered Control		1									
1665202	Rack Timer Control			1								
1623404	Control 8 Key Memory				1	1	1	1				
1623403	Control 2 Key								1	1	1	1
2 1607302	Overlay Cook & Hold	1										
1607305	Overlay Tiered Control		1									
1607306	Overlay Rack Timer			1								
1607301	Overlay 8 Key 1 Speed				1							
1607304	Overlay 8 Key 2 Speed					1						
1607309	Overlay 8 Key 1 Speed w/FDT						1					
1607311	Overlay 8 Key 2 Speed w/FDT							1				
1607300	Overlay 2 Key 1 speed								1			
1607303	Overlay 2 Key 2 speed									1		
1607310	Overlay 2 Key 2 speed w/FDT										1	
1607308	Overlay 2 Key 1 speed w/FDT											1
3 1680299	Control Panel (only)	1	1	1	1	1			1	1		
1680298	Control Panel (only) Int. Timer										1	1
1680297	Control Panel (only) 8 But w/FDT						1	1				
4 1019203	Rocker Switch On/Off 1 Speed				1		1		1			1
1019207	Rocker Switch On/Off/On 2 Speed	1	1	1		1		1		1	1	
5 1270000	Amber Indicator Light 28V	1	1	1	1	1	1	1	1	1	1	1
6 1019209	Rocker Switch On/On	1	1	1	1	1	1	1	1	1	1	1
7 1181000	Momentary Switch	1	1	1	1	1	1	1	1	1	1	1
8 9006800	Probe	1	1	1	1	1	1	1	1	1	1	1
9 9007200	Time & Temp Select Knob	2	2	2	2	2	2	2	2	2	2	2
14 1681004	Control Panel Wire Harness	1	1	1	1	1	1	1	1	1	1	1



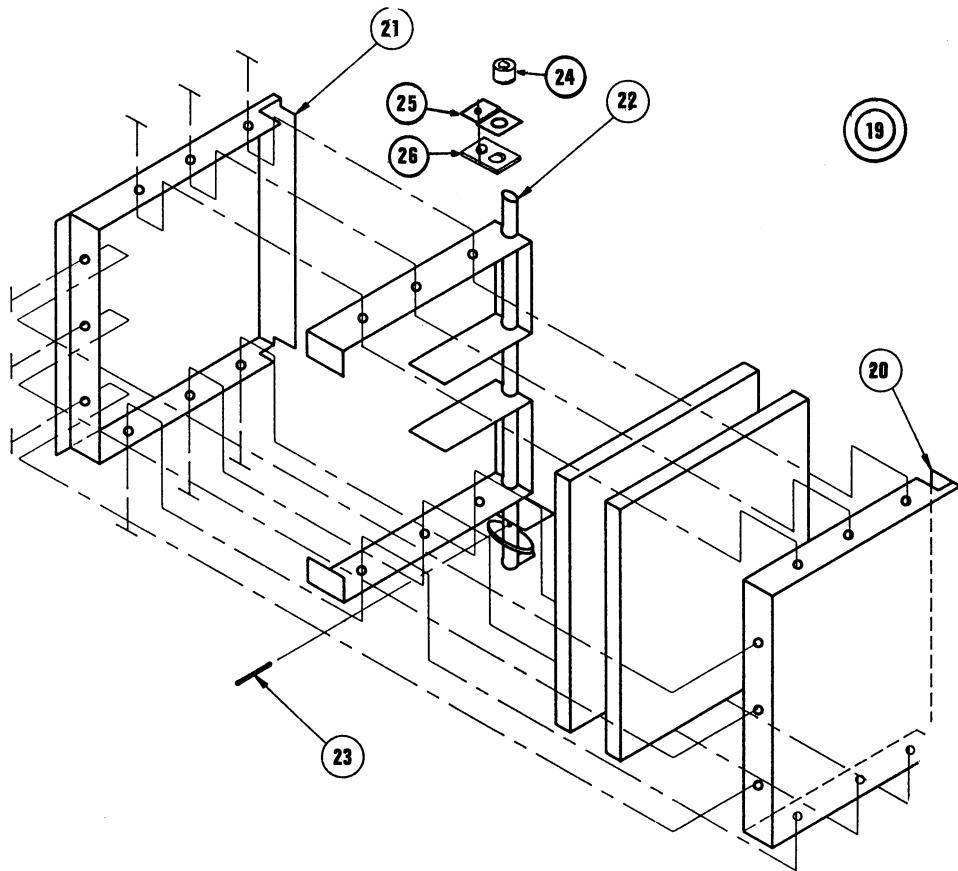
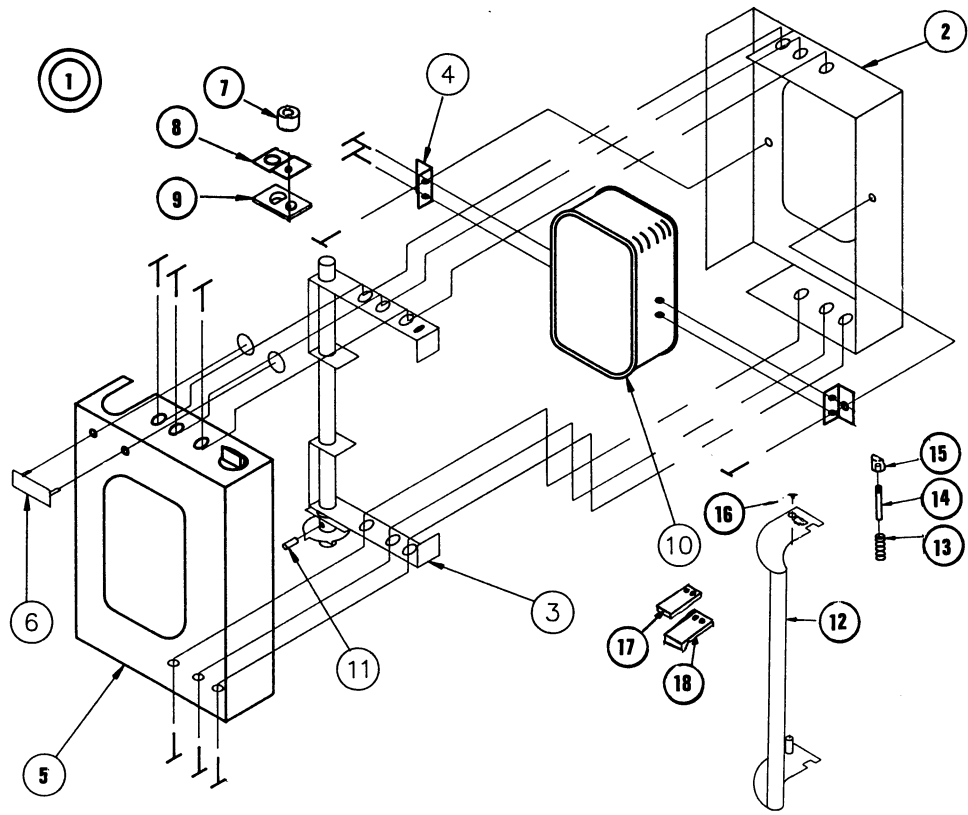
1	1688499	Burner Assembly	1
2	1680701	Spark/Sensor Assembly	1
3	1681001	Ignitor Wire Harness	1
4	1708999	Air Plenum	1
5	1008802	Natural Orifice Spud #30	1
	1008803	LP Orifice Spud #47	1
6	1008819	Orifice Holder	1
7	1684501	Burner Shield	1
8	1683001	Burner Insulation	1
9	1269800	Transformer	1
10	1680801	Ignition Module	1
11	1682301	Ignition Module Mount Bracket	1
12	1653100	Motor Mount Clip	1
13	1029501	Power Cord	1
14	1681003	Main Wire Harness Connector Control to Motor	1
15	1681001	Ignition Wire Harness	1
16	1681002	Motor Wire Harness	1
17	1302406	Natural Gas Valve	1
	1302407	LP Gas Valve	1
18	1512900	Blower Motor	1
19	1675599	Burner Blower Bracket	1
20	1674701	Blower Clamp	1
21	1517219	Flex Tube	1
22	1674899	Shutter Bracket	1
23	1674901	Air Shutter (Replaced by 1716601)	1
24	1678601	Air Shutter Rod (Replaced by 1716601)	1
25	1675001	Shutter Slide (Replaced by 1716601)	1
	1716601	Air Shutter Assy.	1
26	1095499	Straight Connector	1
27	1678902	Burner Tube	1
28	1095499	Straight Connector	1
29	1678903	Inlet Tube	1
30	1678901	Valve Tube	1
31	1095499	Straight Connector	1
32	1677701	90 Degree Compression Fitting	1
33	1680199	Control Panel Bracket	1
34	1677801	Valve	1
35	1680499	Valve Clip	1
36	1677601	Control Panel Support Channel	1

1	1679099	Lower Front Veneer	1
2	1679301	Bottom Door Seal	1
3	1679302	Top Door Seal	1
4	1679303	Left or Right Door Seal	1
6	1027289*	Chain Assembly Complete*	1
	1014200	Connecting Right Door Rod	2
	1014201	Connecting Left Door Rod	2
	1015000	Turnbuckle	2
	1021100	Roller Chain #40	2
	1021299	Connecting Link	4
7	1678501	Body Side Left Black	1
	1678502	Body Side Left Stainless Steel - Optional	1
8	1678503	Body Side Right Black	1
	1678504	Body Side Right Stainless Steel - Optional	1
9	1683199	Main Back Black	1
	1683198	Main Back Stainless Steel - Optional	1
10	1683298	Main Top Black	1
	1683299	Main Top Stainless Steel - Optional	1
11	1645100	Flue Cap	1
12	1608700	Front Main Top Veneer Stainless Steel	1
13	1607000	Racks	5
14	1607001	Left or Right Rack Guide	1
16	1317600	Top Rack Guide Clip	4
17	1676801	Bottom Rack Guide Clip	4
18	1317601	Rack Guide Hold Down Bracket	4
19	NPN	Serial Number Location	-
20	1668901	Microswitch Bracket	1
21	1533400	Microswitch Fish Paper	1
22	1019600	Door Micro Switch	1
23	1681005	Door Switch Wire Harness	1

*COMPLETE ASSEMBLY,

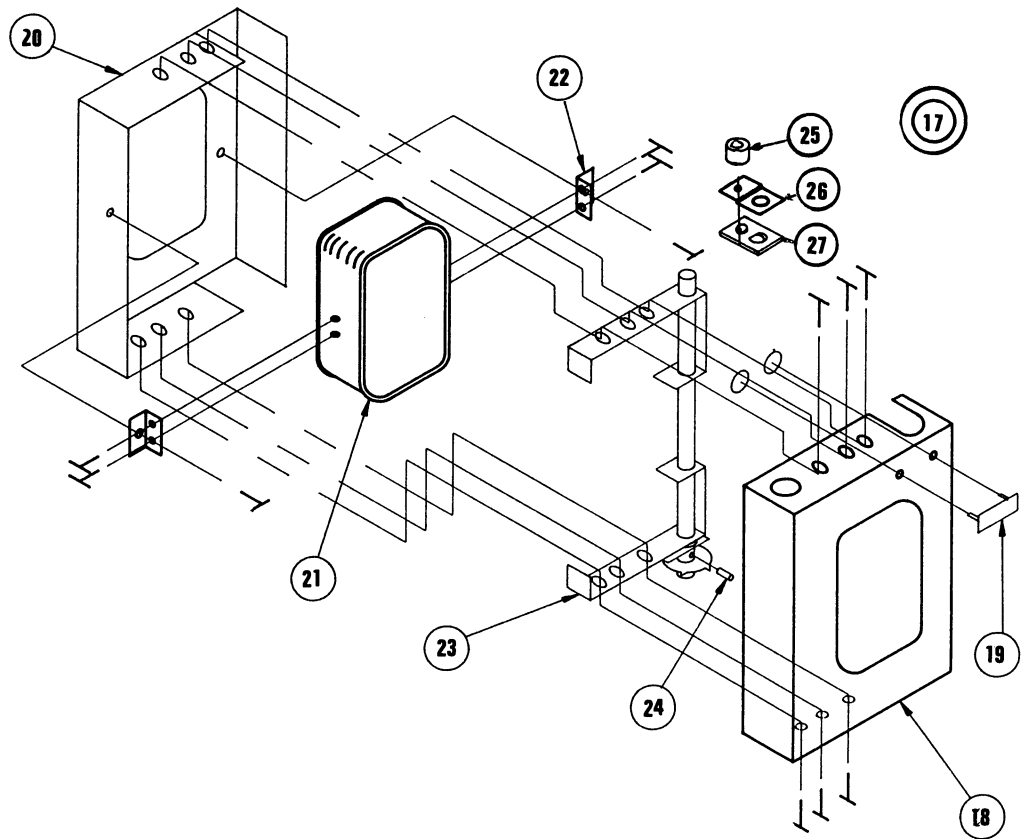
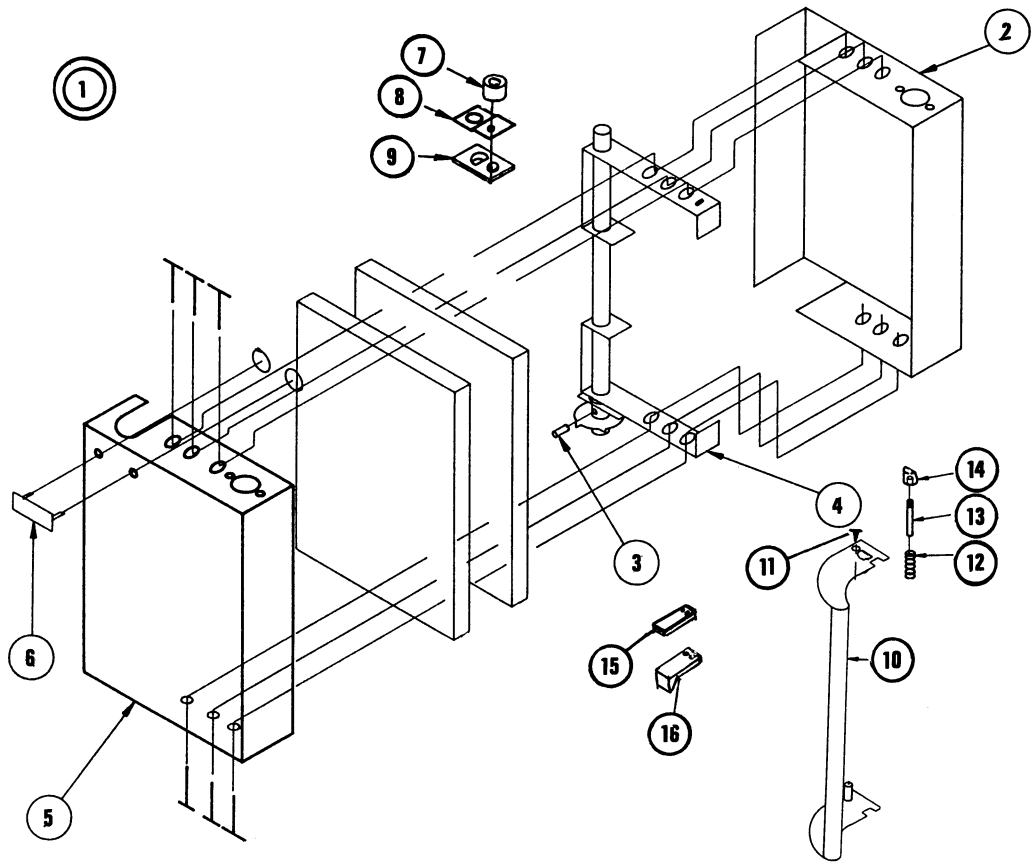


1	1677901	Window Cover	1
2	1644199	Air Baffle	1
3	1677101	Baffle Bracket	2
4	1025302	Blower Wheel	1
5	1590198	Burner Box	1
6	9006800	Probe	1
7	1015799	Probe Mount Bracket	1
8	1025800	Porcelain Lamp Holder	1
9	1025900	Light Socket Gasket	1
10	1678799	Light Box Top	1
11	1623900	Light Bulb	1
12	1676901	Glass	1
13	1606802	Glass Frame	1
14	1606801	Glass Frame Cap	1
15	1686701	Motor 1/2 HP 115V 2 speed (Standard)	1
	1686703	Motor 1/2 HP 115/230V 1 speed	1
16	1025302	Blower Wheel with set screws	1
17	1675204	Motor Mount Cover Plate Std. GG	1
	1675202	Motor Mount Cover Plate CC	1
	1675203	Motor Mount Cover Plate SS	1
	1675208	Motor Mount Cover Plate IRT GG	1
	1675206	Motor Mount Cover Plate IRT CC	1
18	1309075	Mounting Insulation	1
19	1675198	Motor Mount Plate Std.	1
	1675199	Motor Mount Plate IRT	1

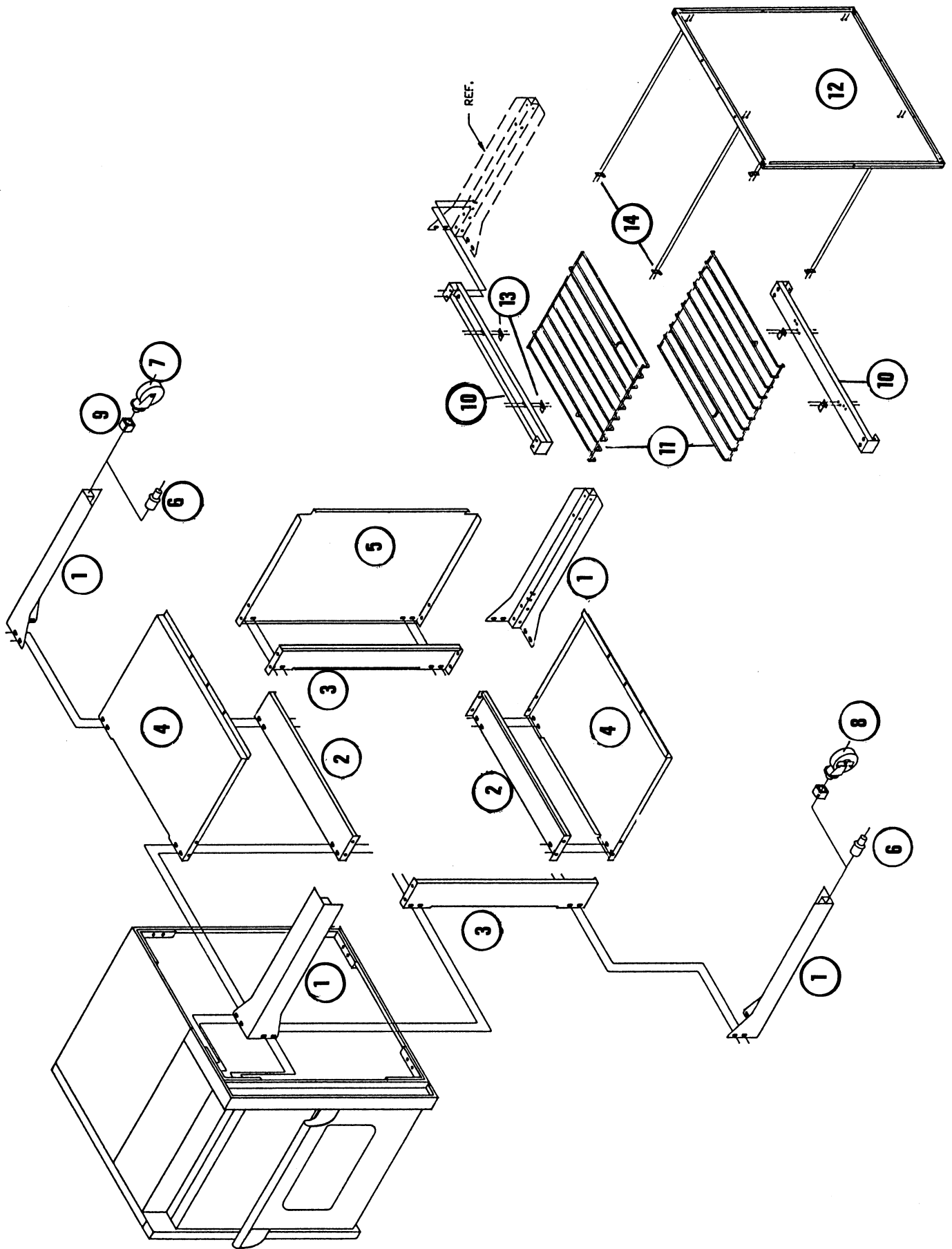


1	1687999*	Left Door Assembly with Window	1
2	1681799	Left Door Liner with Window	1
3	1681497	Left Door Frame	1
4	1023801	Window Hold Down Strap	2
5	1681602	Left Door Front Panel with Window	1
6	9004500	Logo Plate	1
7	1011201	Spacer Ring	1
8	1302801	Bearing Retainer Left	1
9	1010589	Hinger Bracket with Bearing	1
10	1010999	Window Assembly	1
11	1019701	Roll Pin	1
12	1681199	Handle	1
13	1643301	Latch Spring	1
14	1643308	Latch Pin	1
15	1643303	Latch	1
16	1166902	Shoulder Bolt 1/4-20 X 5/8	1
17	1681301	Latch Spacer	1
18	1669001	Door Strike	1
19	1688098*	Right Door Assembly Solid	1
20	1681801	Right Door Panel Solid	1
21	1681901	Right Door Liner Solid	1
22	1681599	Right Door Frame	1
23	1019701	Roll Pin	1
24	1011201	Spacer Ring	1
25	1302801	Door Bearing Retainer	1
26	1010589	Hinge Bracket with Bearing	1

*COMPLETE ASSEMBLY



1	1687998	Left Door Assy Solid	1
2	1681701	Left Door Liner Solid	1
3	1019701	Roll Pin	1
4	1681497	Left Door Frame Solid	1
5	1681601	Left Door Panel	1
6	9004500	Logo Plate	1
7	1011201	Spacer Ring	1
8	1302801	Door Bearing Retainer	1
9	1010589	Hinge Bracket with Bearing	1
10	1681199	Door Handle Only	1
<hr/>			
11	1166902	Shoulder Bolt 1/4 X 20 X 5/8	1
12	1643301	Latch Spring	1
13	1643308	Latch Pin	1
14	1643303	Latch	1
15	1681301	Latch Spacer	1
16	1669001	Door Strike	1
17	1688099	Right Door Assembly with Window	1
18	1681802	Right Door Panel with Window	1
20	1681999	Right Door Liner with Window	1
<hr/>			
21	1010999	Window Assembly	1
22	1023801	Window Hold Down	2
23	1681598	Right Door Frame	1
24	1019701	Roll Pin	1
25	1011201	Spacer Ring	1
26	1302801	Bearing Retainer	1
27	1010589	Hinge Bracket with Bearing	1



ITEM	PART #	DESCRIPTION	QTY
1	1684789	Leg - Black - Before 9/16/93	4
	1684788	Leg - SS - Before 9/16/93	4
	1753299	Leg - Black - After 9/16/93	4
	1753298	Leg - SS - After 9/16/93	4
2	1683801	Side Skirt - Black - Before 9/16/93	
	1683802	Side Skirt - SS - Before 9/16/93	
3	1683901	Front Skirt - Black - Before 9/16/93	
	1683902	Front Skirt - SS - Before 9/16/93	
4	1684101	Cabinet Base Side - Black - Before 9/16/93	
	1684102	Cabinet Base Side - SS - Before 9/16/93	
5	1684001	Cabinet Base Back - Black - Before 9/16/93	
	1684002	Cabinet Base Back - SS - Before 9/16/93	
6	1236100	Square Foot Insert	4
7	1027500	Caster without Brake - Optional	2
8	1027501	Caster with Brake - Optional	2
9	1303597	Caster Pads - Black	4
	1303596	Caster Pads - SS	4
10	1684601	Upper Rack Support Rt - Black - Before 9/16/93	
	1684603	Upper Rack Support Lt - Black - Before 9/16/93	
	1684602	Upper Rack Support Rt - SS - Before 9/16/93	
	1684604	Upper Rack Support Lt - SS - Before 9/16/93	
	1756101	Upper Rack Support - Black - After 9/16/93	2
	1756102	Upper Rack Support - SS - After 9/16/93	2
11	1704501	Rack Guides	2
12	1684201	Lower Rack Support - Black - Before 9/16/93	
	1684202	Lower Rack Support - SS - Before 9/16/93	
	1756201	Lower Rack Support - Black - After 9/16/93	1
	1756202	Lower Rack Support - SS - After 9/16/93	1
13	1676801	Top Rack Guide Clip - Before 9/16/93	
	1755801	Top Rack Guide Clip - After 9/16/93	4
14	1016800	Lower Rack Guide Clip	4

DIRECT VENTING

1 CK4534 MCO Direct Connect Vent Kit

KIT BREAKDOWN

1	1672301	Direct Vent Stack Bracket
1	1190100	6" Bell

Continuous product improvement is a Garland policy, therefore specifications and design are subject to change without notice.

GARLAND®

A **WELBILT** Company

Garland Commercial Industries, Inc.
Freeland, Pennsylvania 18224

Phone (717) 636-1000
FAX: (717) 636-3903

Form GCI-R146 R-1

PRICE-\$2.50

Printed in U.S.A.

May 1994