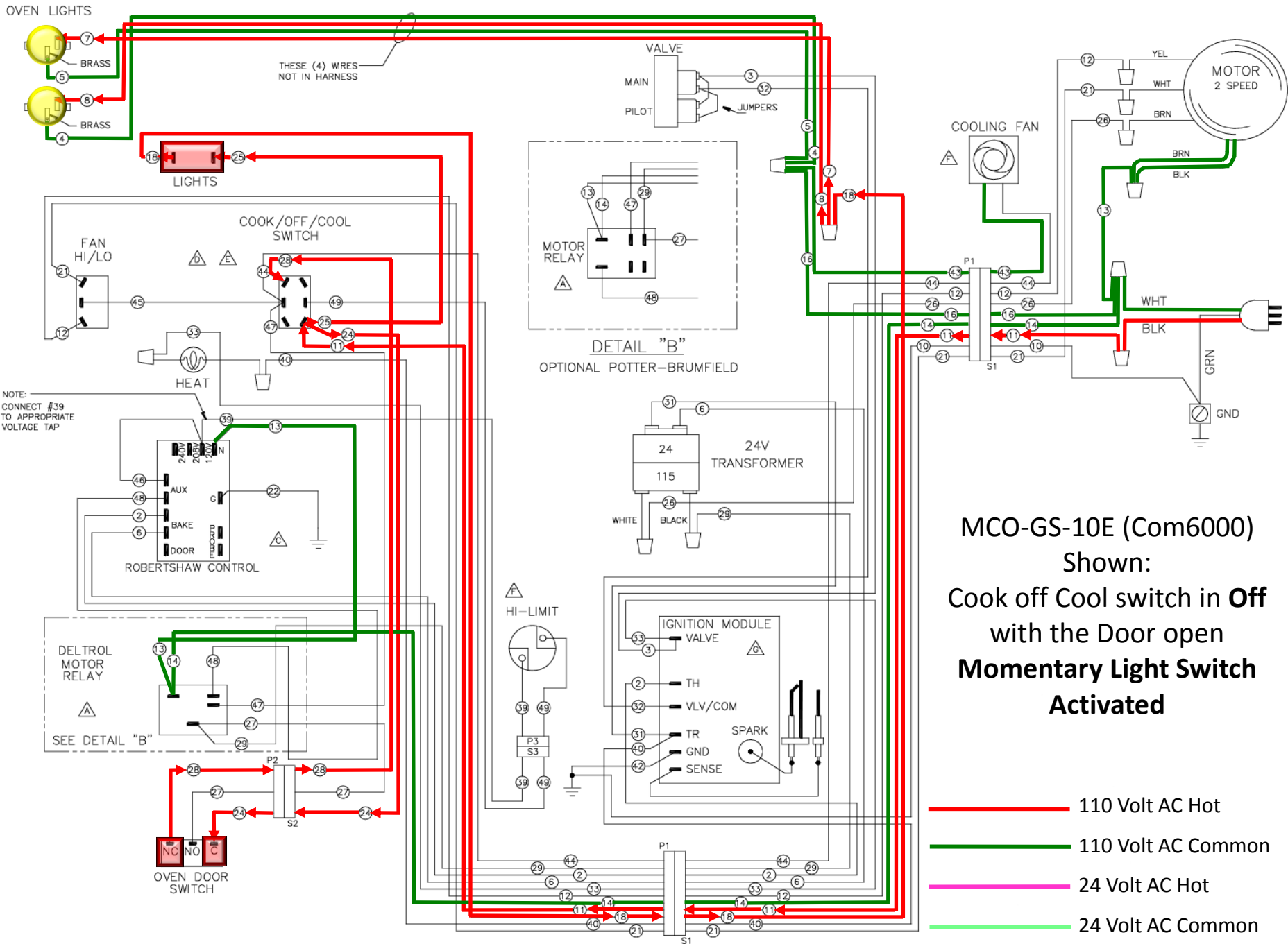
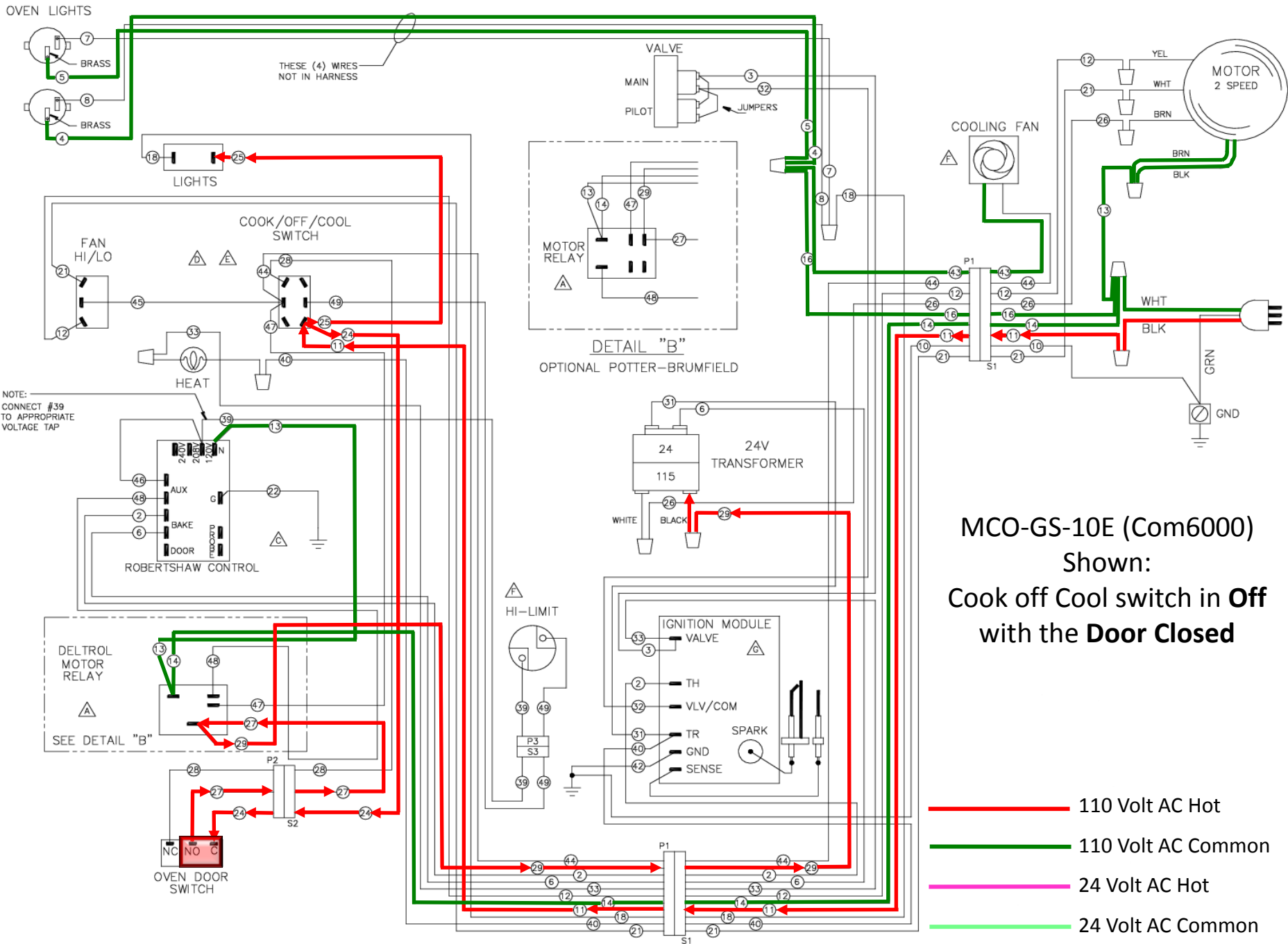


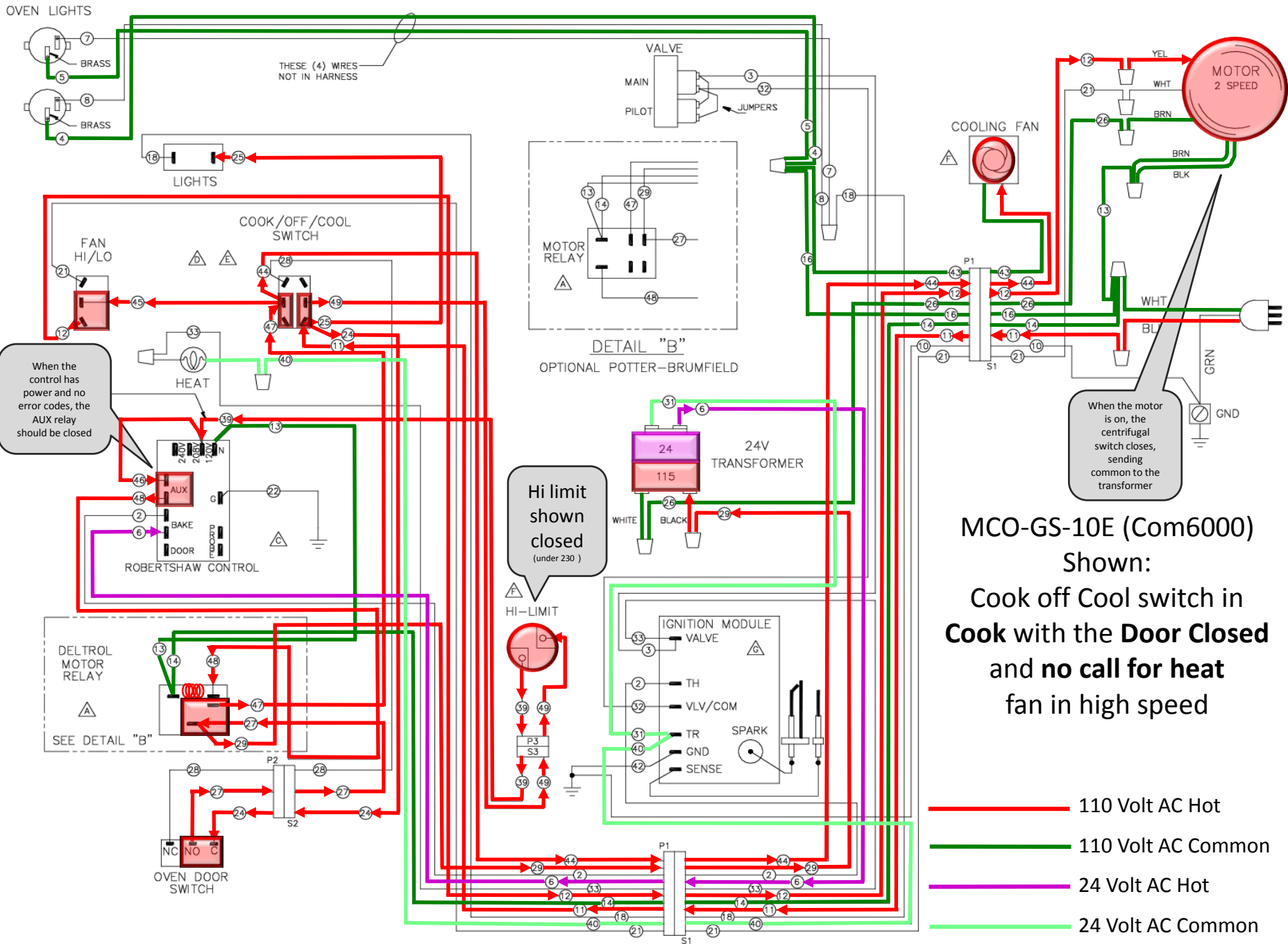
MCO-GS-10E (Com6000)
 Shown:
 Cook off Cool switch in **Off**
 with the **Door open**



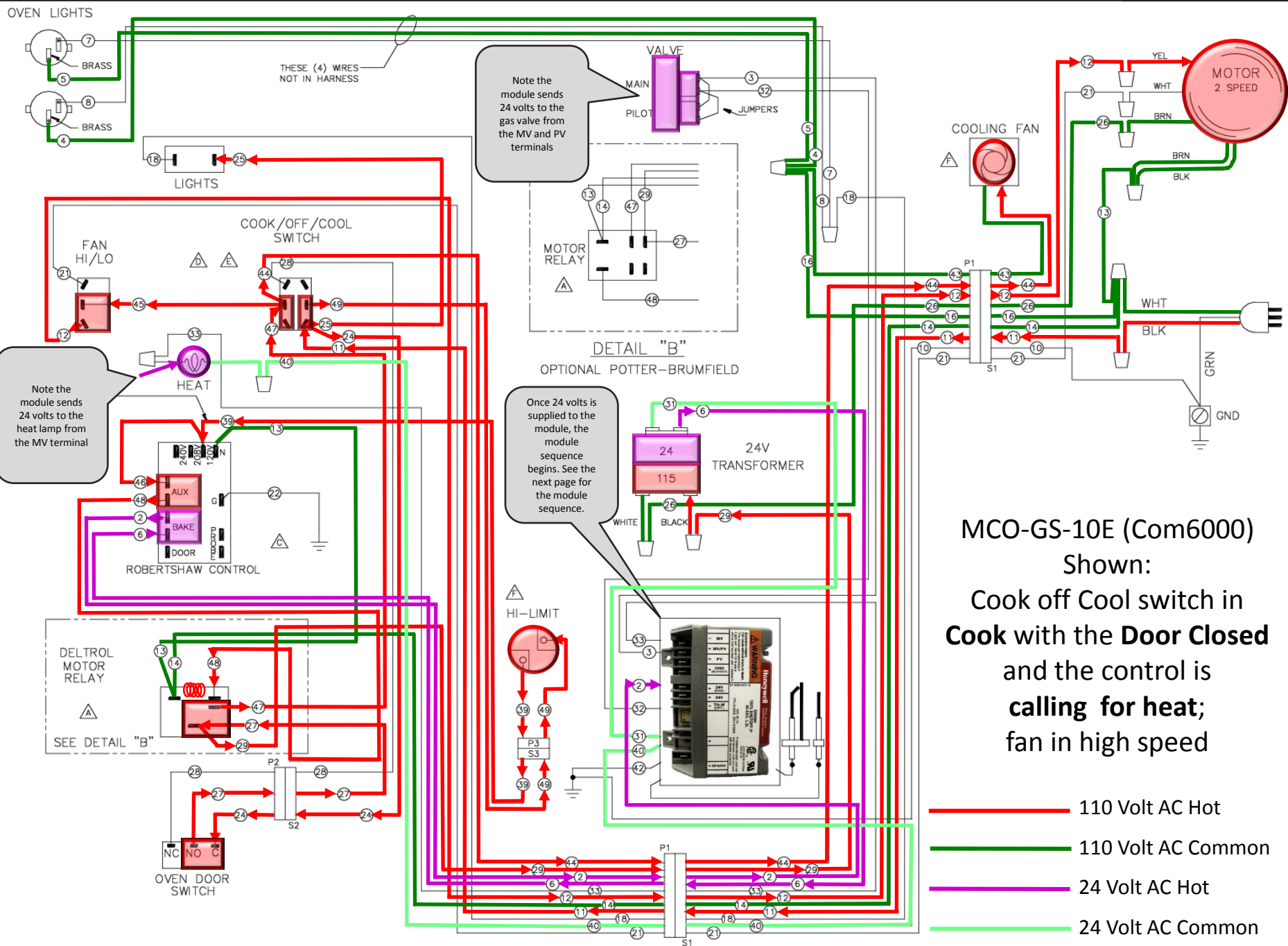
MCO-GS-10E (Com6000)
 Shown:
 Cook off Cool switch in **Off**
 with the Door open
Momentary Light Switch
Activated



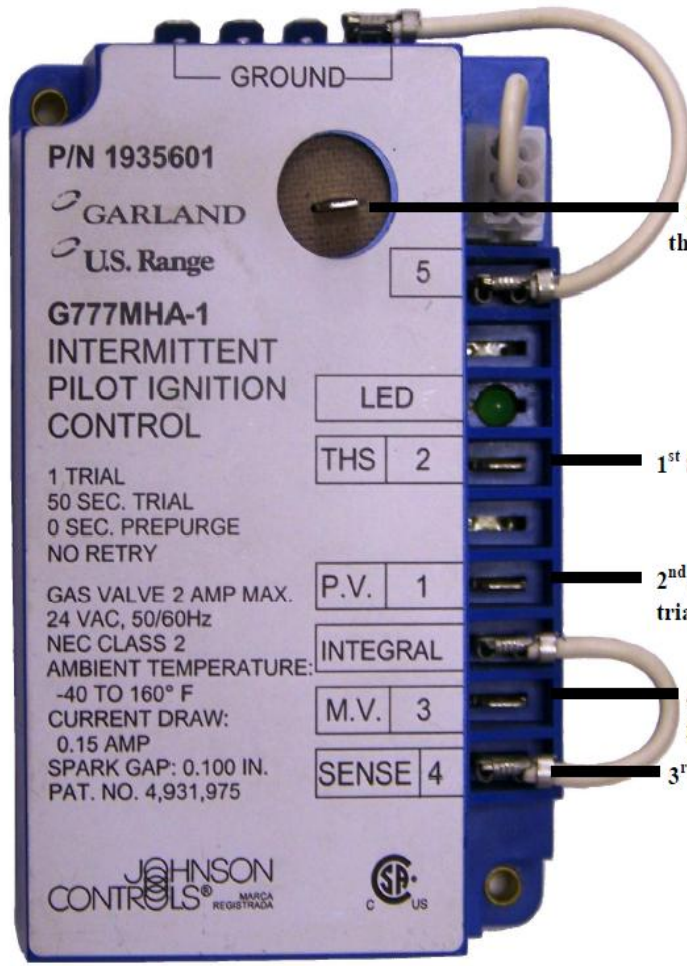
MCO-GS-10E (Com6000)
 Shown:
 Cook off Cool switch in **Off**
 with the **Door Closed**



MCO-GS-10E (Com6000)
 Shown:
 Cook off Cool switch in
Cook with the Door Closed
 and **no call for heat**
 fan in high speed



MCO-GS-10E (Com6000)
 Shown:
 Cook off Cool switch in
Cook with the Door Closed
 and the control is
calling for heat;
 fan in high speed



2nd Stage A: Spark sent to Pilot during the trial period

1st Stage: 24 Volts enters Module at THS

2nd Stage B: 24V out to Pilot Valve during trial period

4th Stage: 24V to Main Valve until 24V is removed from THS

3rd Stage: Flame rectification for 0.15 μA

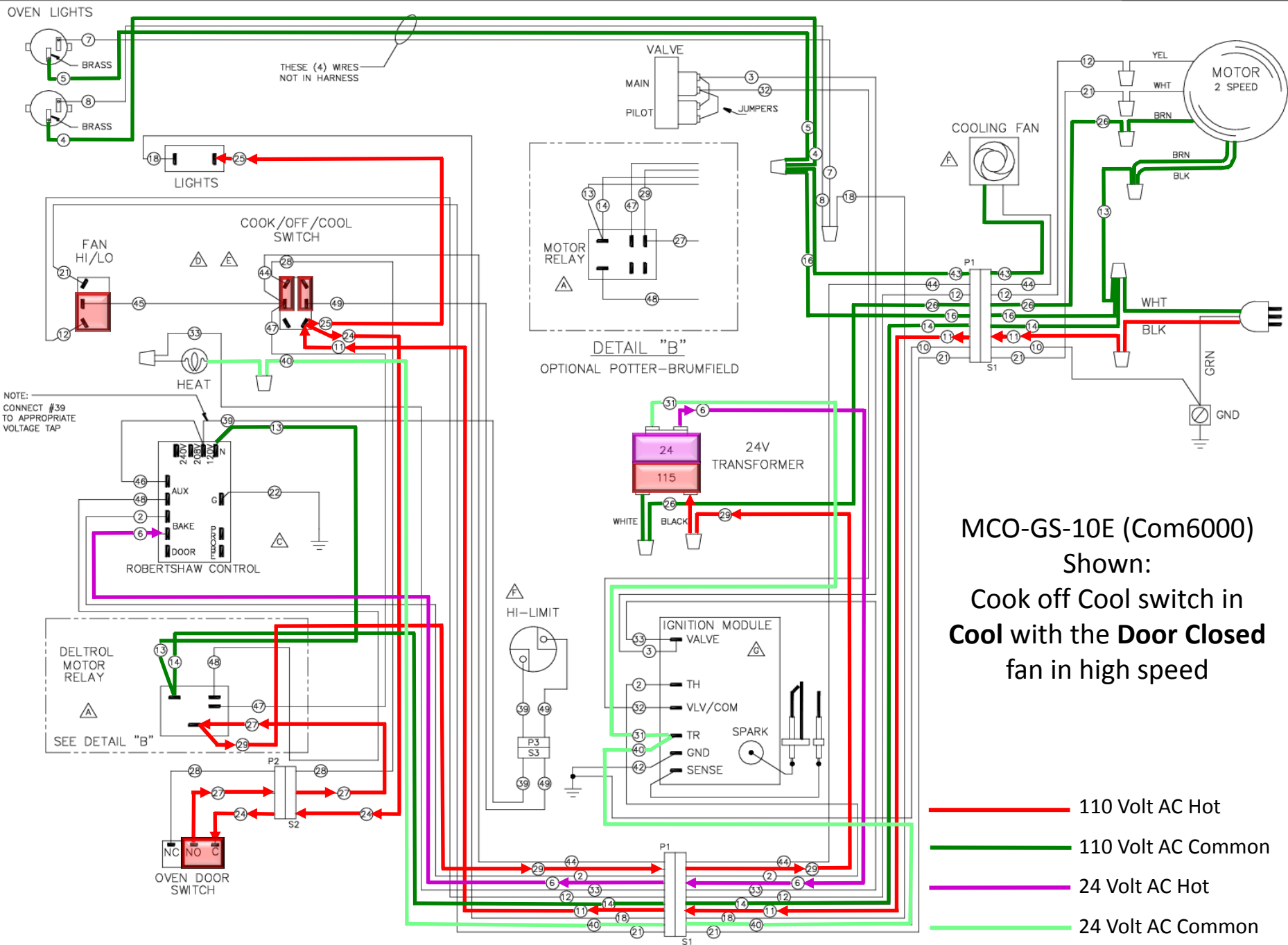


From Honeywell

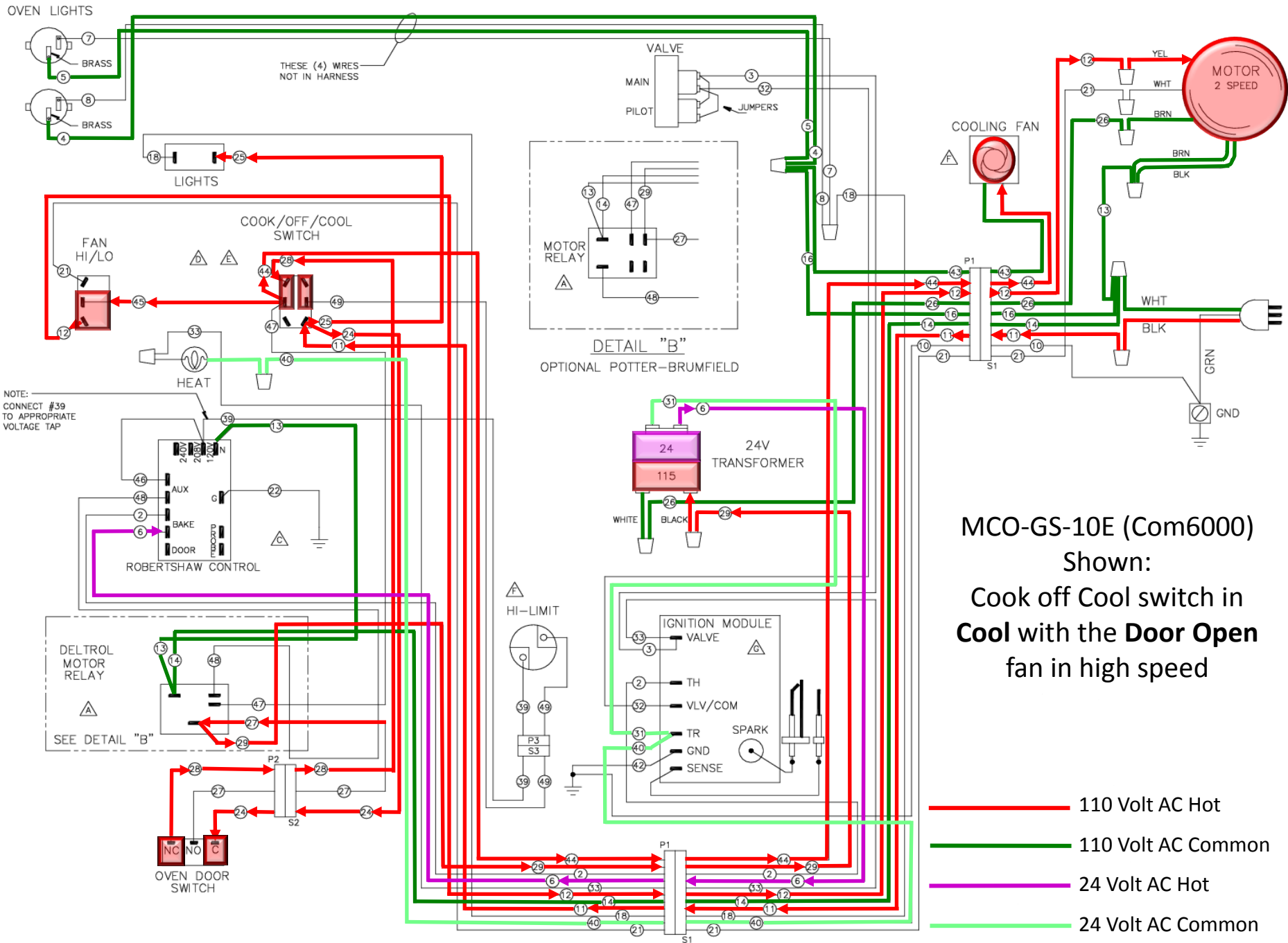
- 1. MV
- 2. MV/PV
- 3. PV
- 4. GND (Burner)
- 5. 24V GND
- 6. 24V
- 9. Spark

To Johnson

- 3. MV
- Ground
- 1. PV
- Ground
- Ground
- 2. THS



MCO-GS-10E (Com6000)
 Shown:
 Cook off Cool switch in
 Cool with the Door Closed
 fan in high speed



MCO-GS-10E (Com6000)
 Shown:
 Cook off Cool switch in
 Cool with the Door Open
 fan in high speed