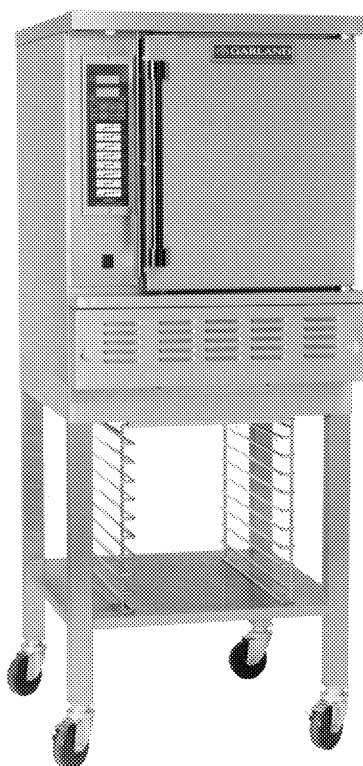




# PARTS LIST



 **GARLAND**

**MCO-G-5K**

**Master Half-Size  
Convection Oven**

Garland Commercial Industries, Inc.  
Freeland, Pennsylvania 18224

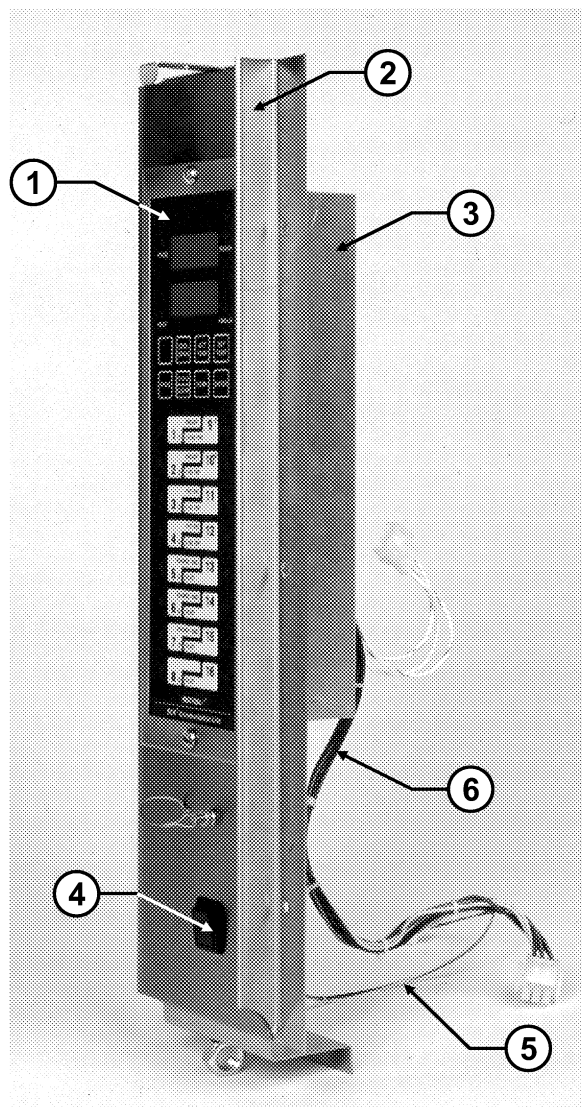
Part # MOC-G-5K Parts List (4/01)

Phone: (570) 636-1000  
Fax: (570) 636-3903

Printed in the USA

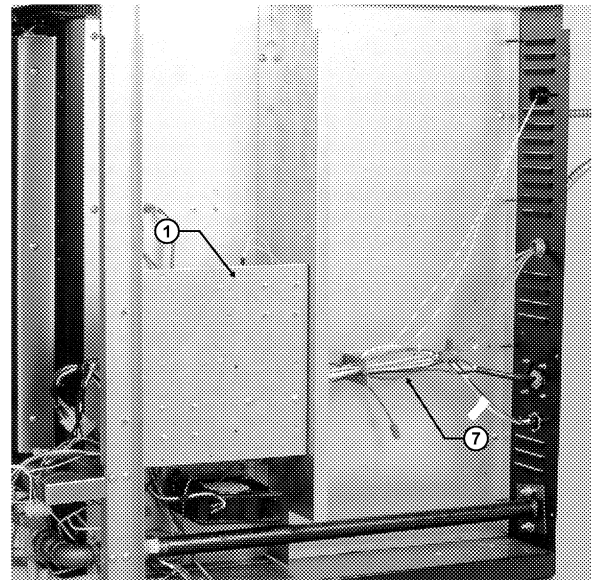
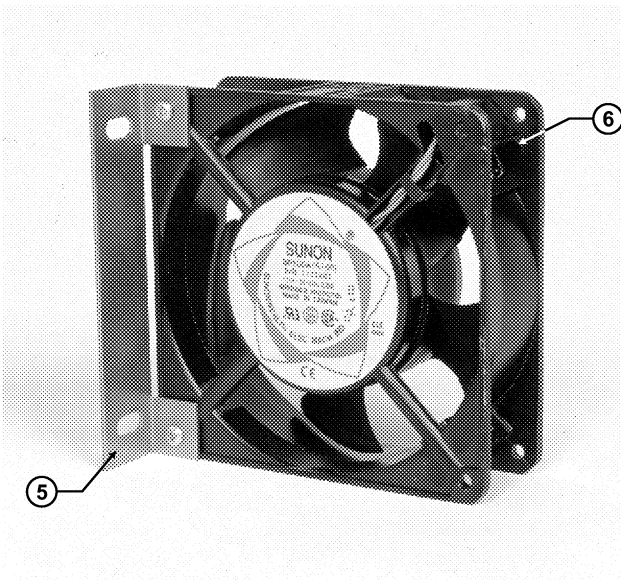
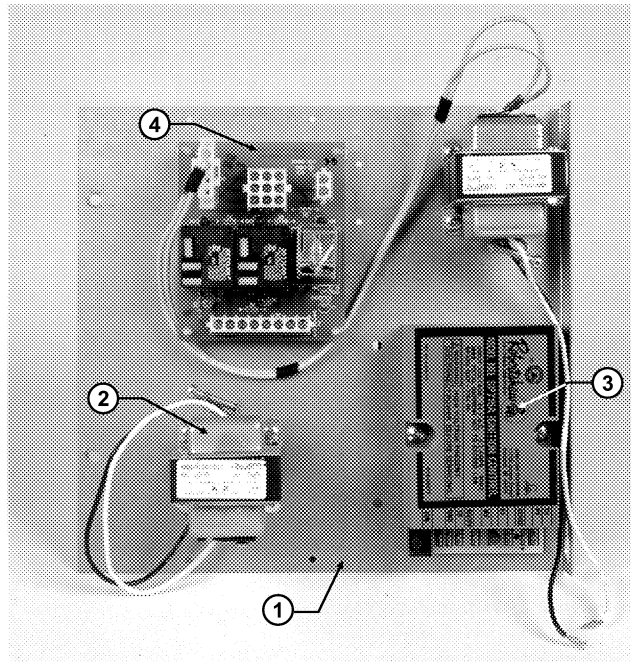
## CONTROL PANEL

ITEM	PART #	DESCRIPTION	QTY
1	1905601	FAST KFC 1/2 CO CONTROL	1
2	1906998	CONTROL PANEL KFC RHT UNIT	1
	1906999	CONTROL PANEL KFC LFT UNIT	1
3	1905101	CONTROL PANEL BOX	1
4	1872400	125V ROCKER SWITCH (RED)	1
5	1843403	FRONT COMMUNICATION CABLE	1
6	1266766	KFC XFMR HARNESS 1/2 SIZE GAS	1



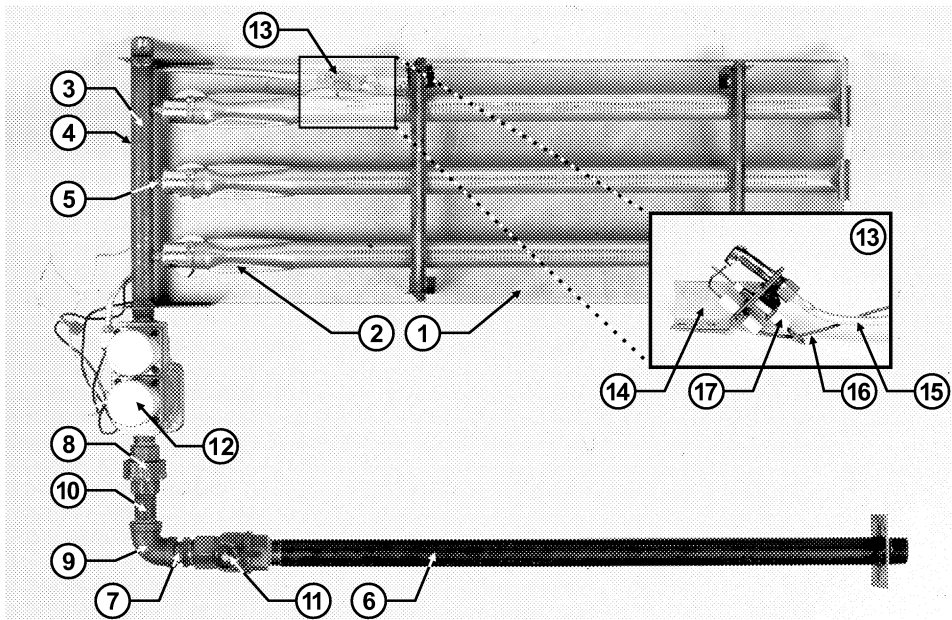
## CONTROL COMPONENTS

ITEM #	PART #	DESCRIPTION	QTY
1	1906302	COMPONENT MTG BRKT RHT UNIT	1
	1906301	COMPONENT MTG BRKT LFT UNIT	1
2	1269800	24V TRANSFORMER (CLASS 2)	2
3	1781901	NAT. IGNITION MODULE	1
	1781902	LP IGNITION MODULE	1
4	1843401	3 RELAY BOARD WITH NEONS	1
5	1774402	COOLING FAN MTG BKT	1
6	1671100	115V 120MM POLAR FAN	1
7	1519501	WIRE HARNESS	1



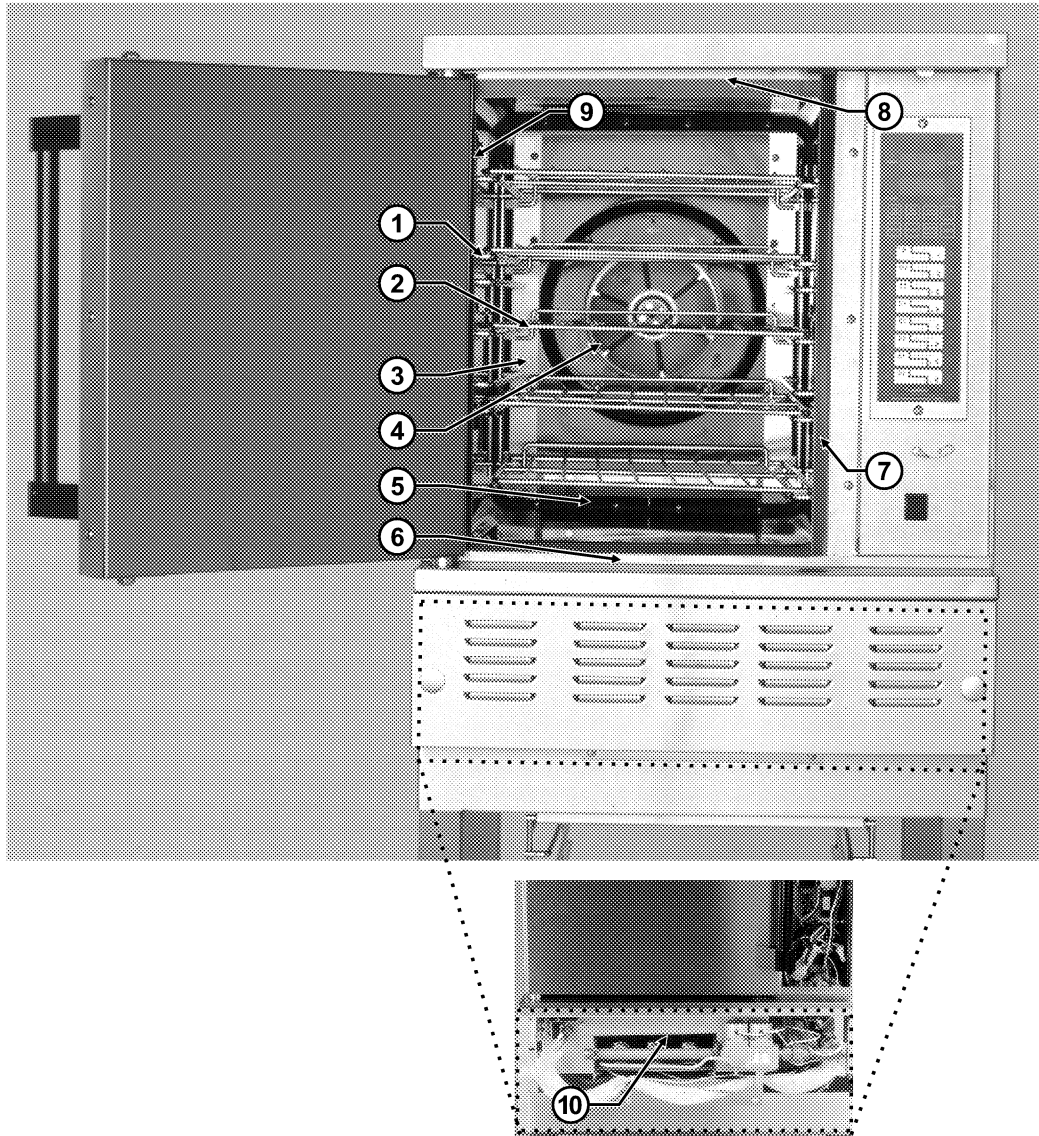
## BURNER COMPONENTS

ITEM #	PART #	DESCRIPTION	QTY
1	1318900	BURNER PAN	1
2	1265589	BURNER W/AIR SHUTTER	1
3	1316198	MANIFOLD ASSEMBLY	1
4	1007300	MANIFOLD PLUG	1
5	1265537	ORIFICE - NATURAL	2
	1265544	ORIFICE - PROPANE	2
6	1316099	TAIL PIPE W/A	1
7	1004640	1/2" CLOSE NIPPLE 1 1/8" LONG	2
8	1026903	UNION 1/2 N.P.T.	1
9	1026703	ELBOW 90 DEG. X 1/2	1
10	1004645	1/2" X 3 1/2" NIPPLE	1
11	1265900	SHUT-OFF VALVE BRASS 3/4"	1
12	1754901	BASOTROL VALVE - NAT	1
	1754902	BASOTROL VALVE - LP	1
13	1758903	PILOT ASSEMBLY - NAT	1
	1758904	PILOT ASSEMBLY - LP	1
14	1759101	PILOT BRACKET	1
15	1028720	PILOT TUBING 1/4" ALUMINUM	1
16	1269703	FLAME SENSOR WIRE	1
17	1466100	FLAME SENSOR	1



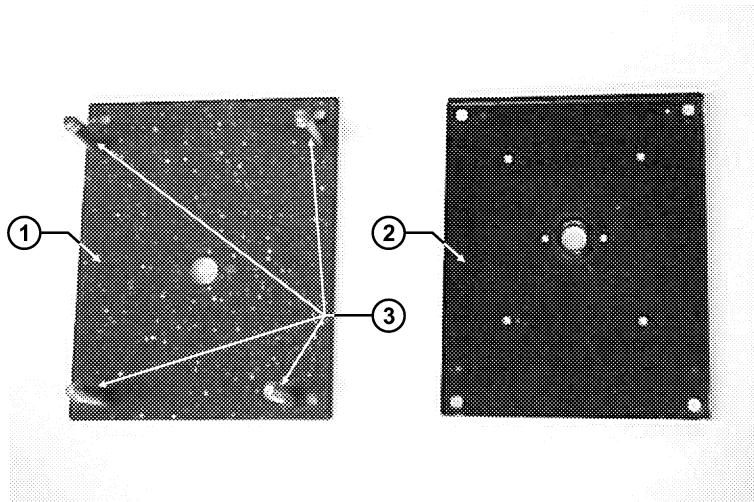
## OVEN COMPONENTS

ITEM #	PART #	DESCRIPTION	QTY
1	1315700	RACK GUIDES	2
2	1315800	OVEN RACKS	5
3	1904899	AIR BAFFLE 1/2 GAS CO-GCE	1
4	1765701	BLOWER WHEEL	1
5	1911499	BAFFLE BOTTOM AIR CHUTE S/W	1
6	1905002	DOOR SEAL BOTTOM	1
7	1905001	DOOR SEAL SIDE	2
8	1905004	DOOR SEAL TOP	1
9	1317202	SIDE DOOR SEAL SUPPORT	1
10	1909201	FIREPLATE	1



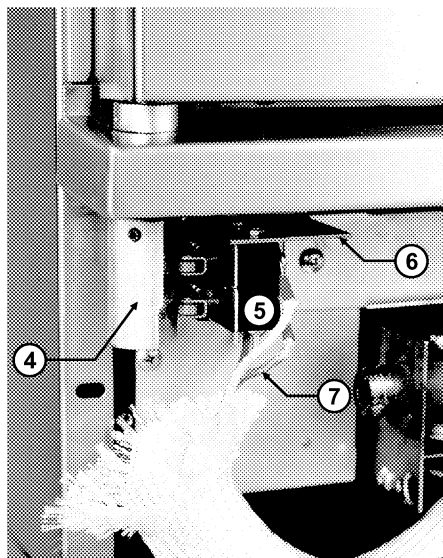
### MOTOR POCKET

ITEM#	PART #	DESCRIPTION	QTY
1	1904996	MOTOR MOUNT INNER-GCE	1
2	1904999	MOTOR MOUNT OUTER W/A-GG	1
3	1904301	STANDOFF 2-23/32 LG 3/8 DIA.	4



### DOOR SWITCHES

ITEM #	PART #	DESCRIPTION	QTY
4	1905201	DOOR SWITCH CAM	1
5	1855601	LIMIT SWITCHES	2
6	1905301	MICRO SWITCH BRACKET	1
7	1266764	KFC DOOR SW HARNESS 1/2 SIZE GAS	1



## OVEN DOOR

ITEM #	PART #	DESCRIPTION	QTY
1	1906498	B/A DOOR SOLID RHT UNIT	1
	1906499	B/A DOOR SOLID LFT UNIT	1
2	1562604	DOOR HANDLE END LFT	1
3	1562605	DOOR HANDLE END RHT	1
4	1664802	DOOR HANDLE	1
5	8003800	SET SCREWS	2



**DOOR COMPONENTS**

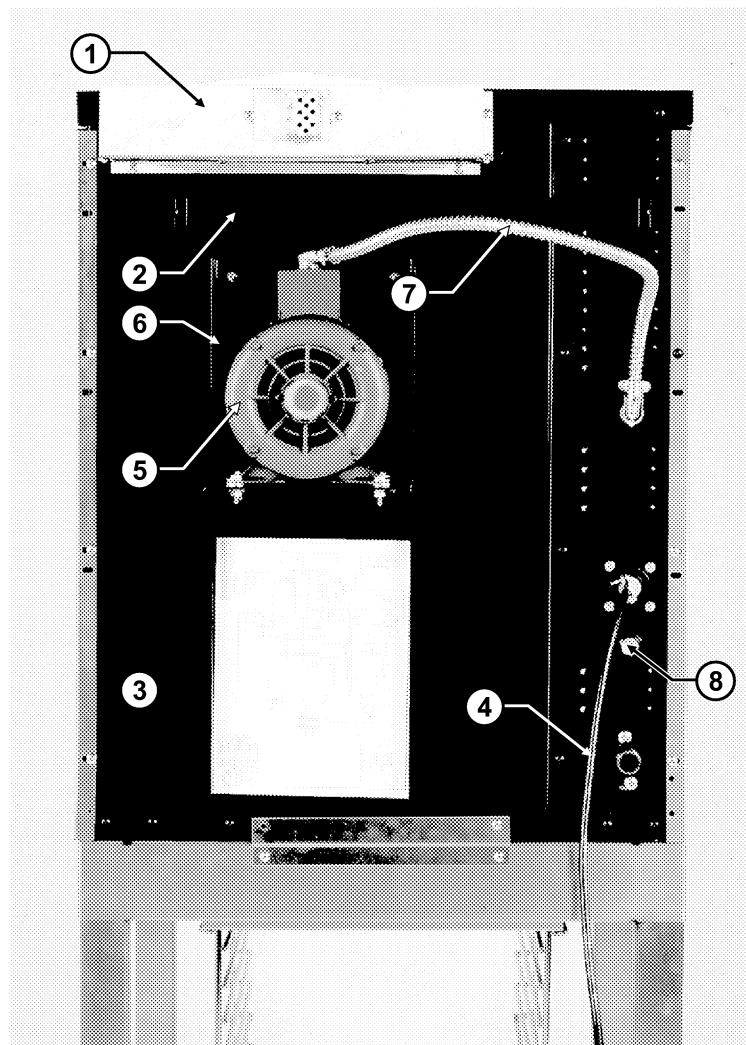
ITEM #	PART #	DESCRIPTION	QTY
1	1011201	STEEL TUBING CHROME SPACER	2
2	1010589	HINGE BRKT ASSY W/BRNG FLNG	2
3	1302800	UPPER DOOR BEARING RETAIN	1
4	1750501	DOOR CATCH SS	1
5	1757998	LATCH BENCH ASSY	2
6	1317200	TOP DOOR SEAL SUPPORT	1





## REAR COMPONENTS

ITEM #	PART #	DESCRIPTION	QTY
1	1320099	FLUE BOX	1
2	1907902	CONTROL PANEL REAR RHT UNIT	1
	1907901	CONTROL PANEL REAR LFT UNIT	2
3	1909302	MAIN BACK RHT UNIT	1
	1909301	MAIN BACK LFT UNIT	2
4	1029501	8' POWER SUPPLY CORD	1
5	1913701	1/3HP 2 SP MOTOR	1
6	1905499	MOTOR SUPPORT	1
7	1029426	BX CABLE	1
8	1843404	REAR COMMUNICATION CABLE	1



## MAIN EXTERIOR

ITEM #	PART #	DESCRIPTION	QTY
1	1909308	MAIN TOP	1
2	1906198	TOP DRIP PAN	1
3	1909306	BODY SIDE RT/LT - SS	2
4	1904601	COMBUSTION COVER	1

