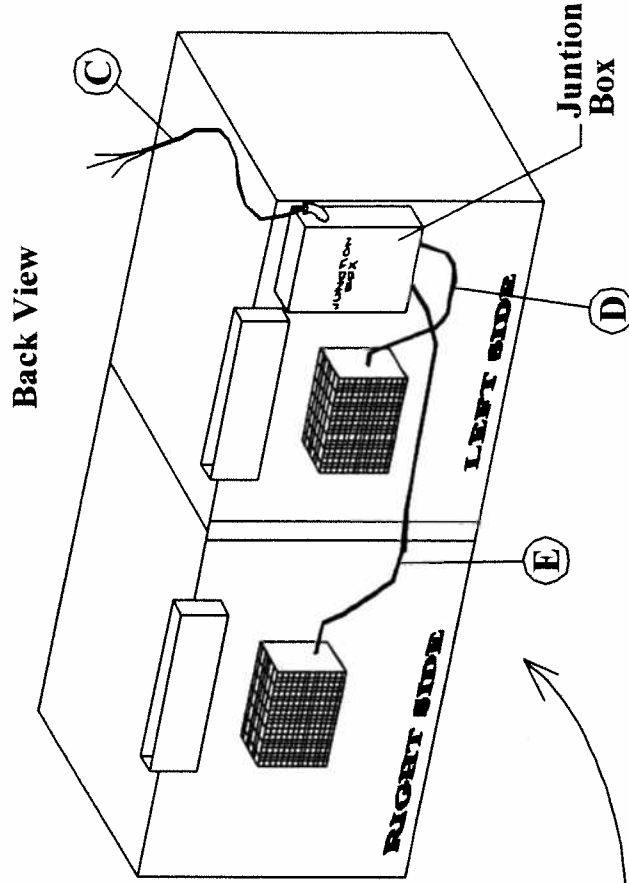
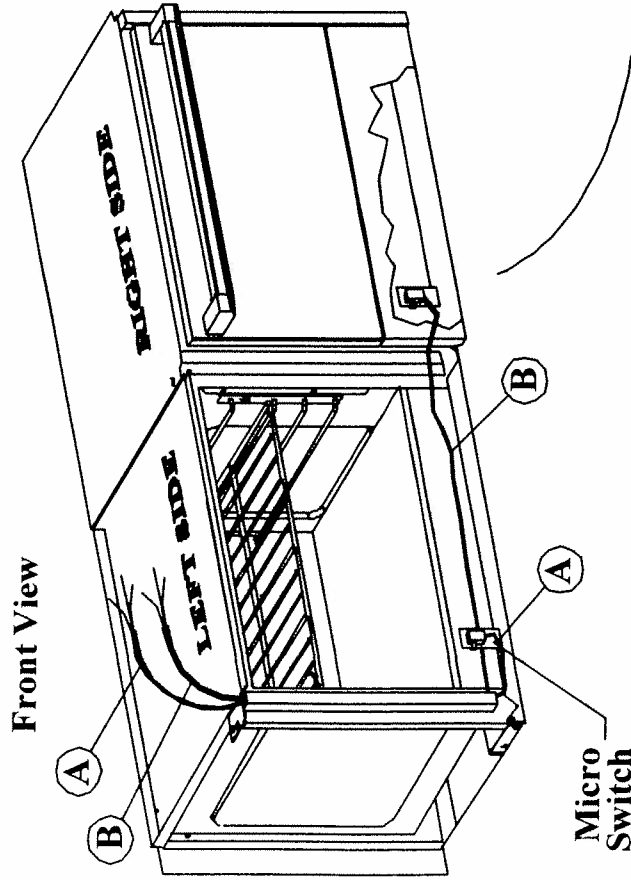


GARLAND®

H280 PERFORMER SERIES WIRING HARNESS KITS



| ITEM | PART# | DESCRIPTION |
|------|---------|--|
| A | 2552397 | W-H DOOR MICRO SWITCH TO FAN SWT SINGLE OVEN LEFT |
| B | 2552396 | W-H DOOR MICRO SWITCH TO FAN SWT DOUBLE OVEN RIGHT |
| C | CK243 | W-H JUNCTION BOX TO ROCKER SWITCH DOUBLE OVEN |
| | CK244 | W-H JUNCTION BOX TO ROCKER SWITCH SINGLE OVEN |
| D | CK242 | W-H JUNCTION BOX TO MOTOR SINGLE RC OVEN |
| E | CK246 | W-H JUNCTION BOX TO MOTOR DOUBLE OVEN RIGHT |