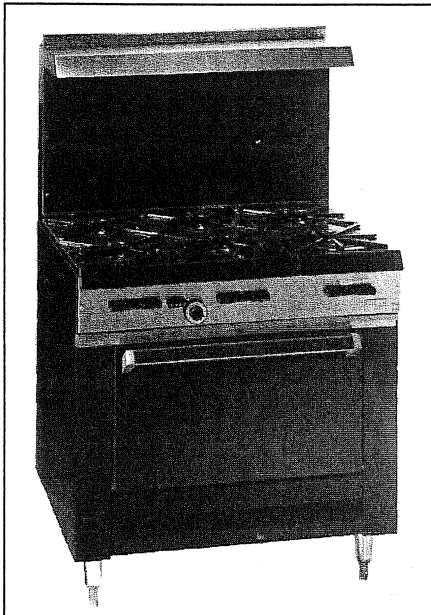


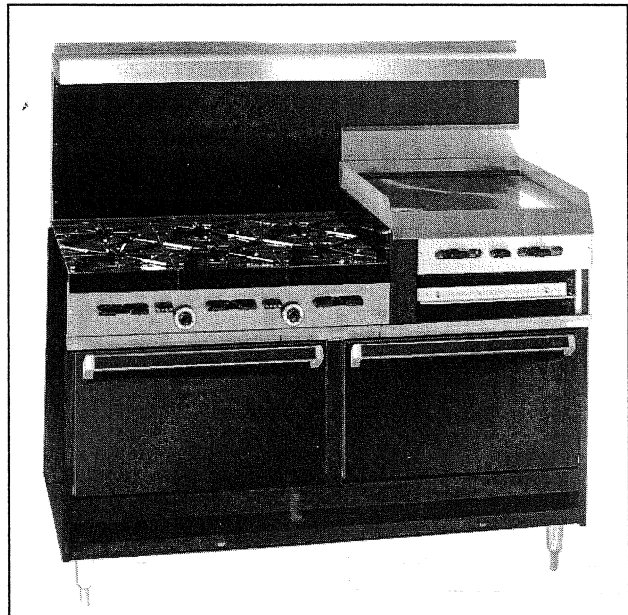
# For The Best Cook!

## Garland GV 280 Series Gas Restaurant Ranges (For Commercial use only)

- Medium Duty Ranges
- 20,000 BTU Starfire Burner
- Full Size Oven
- Porcelain Top and Ring Grates
- Black Powder Coat Front, Sides and Backguard
- Stainless Steel Control Panel and Plate Shelf
- Available Natural or L.P. Gas



GV286



GV283

### MODELS AVAILABLE

GV28	GV28S	GV286	GV286S	GV286-24G	GV283	GV284	GV284-24G
24" wide	24" wide	36" wide	36" wide	36" wide	60" wide	60" wide	60" wide
4 burner	4 burner	6 burner	6 burner	2 burner with 24" griddle	6 burner with 24" raised griddle	10 burners	6 burners with 24" griddle
1 space saver oven	1 storage base	1 standard oven	1 storage base	1 standard oven	2 standard ovens	2 standard ovens	2 standard ovens
105,000 BTU	80,000 BTU	155,000 BTU	120,000 BTU	111,000 BTU	233,500 BTU	270,000 BTU	226,000 BTU
355 Lbs.	255 Lbs.	500 Lbs.	350 Lbs.	565 Lbs.	850 Lbs.	800 Lbs.	865 Lbs.

#### Options Available:

- Stainless Steel Door
- Stainless Steel Backguard

# GARLAND®

A WELBILT Company

# Specifications and Dimensions:

## Burner Inputs (BTU)

Open Burner:  
2 per 12" section 20,000 each  
Oven Burner: 35,000 each  
(except GV28-25,000)  
Griddle: 18,000  
Griddle/Broiler: 14,500

## Input Clearance

Wall Clearance  
Sides: 6" Back: 6"

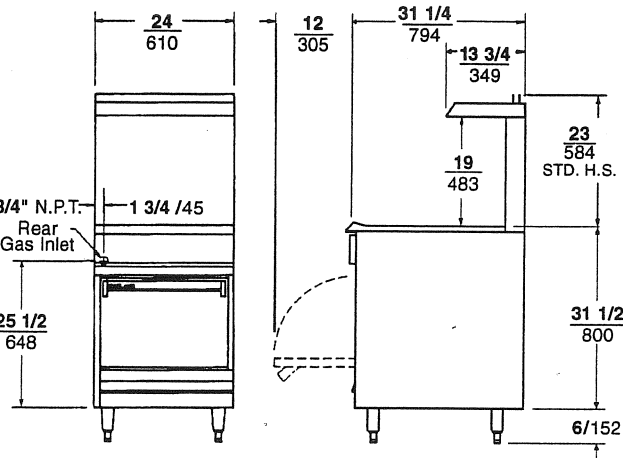
## Gas Pressure

Natural 4.5" WC  
Propane 10" WC

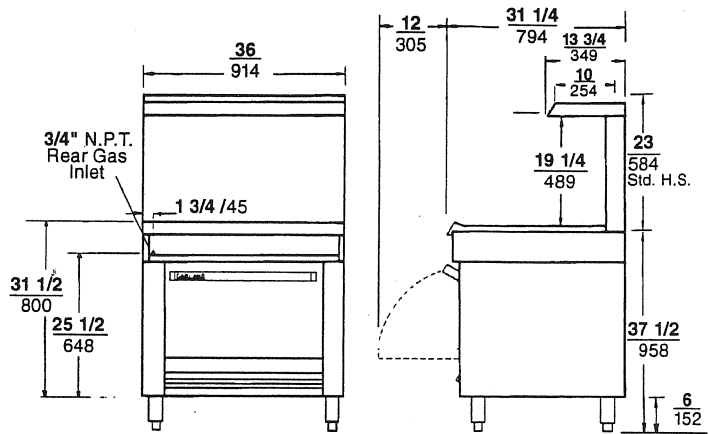
**NOT INTENDED FOR HOME USE.**  
GARLAND WILL NOT BE RESPONSIBLE  
FOR HOME INSTALLATION.  
WARRANTY BECOMES VOID.

**DIMENSIONS:**  $\frac{\text{inches}}{\text{mm}}$  or inches/mm

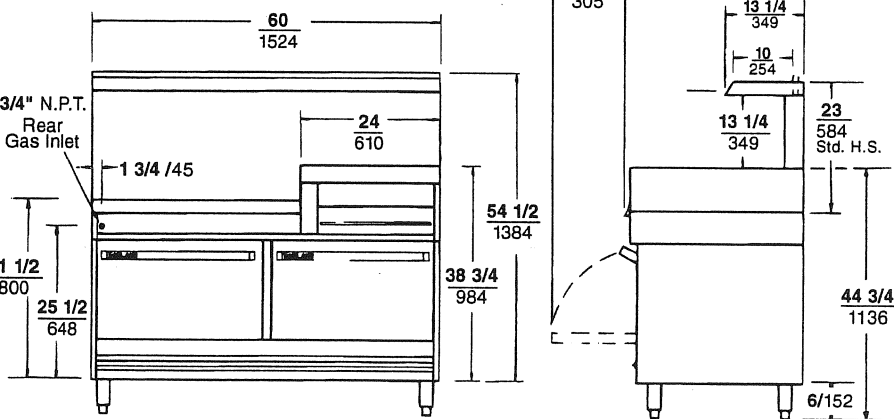
### GV 28 / GV 28S



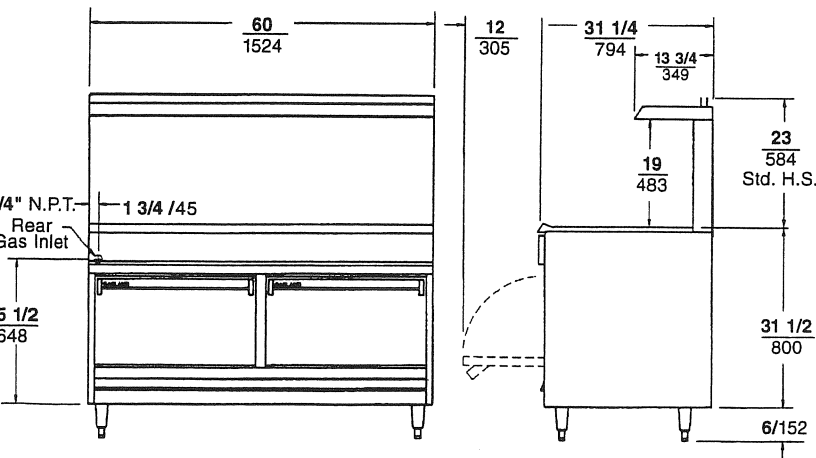
### GV 286 / GV 286S



### GV 283



### GV 284 / GV 284-24G



# GARLAND®

A WELBILT Company

Garland Commercial Industries, Inc.  
185 East South St.,  
Freeland, PA 18224

Telephone: 717-636-1000  
FAX: 717-636-3903