

GV280 SERIES

GV HI SHELF COMPONENTS

ITEM	PART #	DESCRIPTION	GV28	GV286	GV283	GV284
1	1391011	Upright Right/Left Painted	2	2	2	2
2	1364900	Shelf Support Left	1	1	1	1
3	1364901	Shelf Support Right	1	1	1	1
4	1390200	SDHS Top 24" SS	1			
	1390201	SDHS Top 36" SS		1		
	1390203	SDHS Top 60" SS			1	1
5	1390300	SDHS Front Panel Painted 24"	1			
	1390302	SDHS Front Panel Painted 36"		1		
	1390310	SDHS Ft Pnl Painted 60" GV283 ONLY			1	
	1390308	SDHS Front Panel Painted 60"				1
6	1390500	SDHS Back 24"	1			
	1390502	SDHS Back 36"		1		
	1390508	SDHS Back 60"			1	1

PARTS LIST

GARLAND

GV280 SERIES

GAS

RESTAURANT

RANGES

Continuous product improvement is a Garland policy, therefore specifications and design are subject to change without notice.

GARLAND

A **WELBIT** Company

Garland Commercial Industries, Inc.
Freeland, Pennsylvania 18224

Phone (717) 636-1000
FAX: (717) 636-3903

Form GCI-R148

Printed in the U.S.A.

Continuous product improvement is a Garland policy, therefore specifications and design are subject to change without notice.

GARLAND

A **WELBIT** Company

Garland Commercial Industries, Inc.
Freeland, Pennsylvania 18224

Phone (717) 636-1000
FAX: (717) 636-3903

Form GCI-R148

Printed in the U.S.A.

HOW TO USE THIS LIST

Once you have located a part in one of the Parts Lists, refer to the same number in the Price List for the suggested retail price.

If a specific part price is not listed, please contact our Parts Department.
DO NOT USE PRIOR OUTDATED LISTS.

This list will be updated as needed.

SHIPMENTS (Same as Price Sheet)

All parts are shipped F.O.B. destination by standard methods (United Parcel Service or common Freight Line). If you desire having a part sent by an "Air Freight Service", those charges will be added to the invoice. If shipment is not delivered in good order, have freight agent make notation on your freight bill of the damage and notify the factory at once.

Warranty/Emergency shipment freight shall be F.O.B. Destination.

BILLING

All parts shipments will be invoiced the day of shipment. "OPEN ACCOUNT" status is given to only Authorized GARLAND dealers and service agents in good standing credit.

A "Non-Open Account" customer may purchase parts from the factory by:

- A. Meeting \$150.00 net minimum order.
- B. Payment in full in advance of shipment.
- C. Freight to be F.O.B. Factory.
- D. No C.O.D. shipments allowed.

RETURNS

Care should be used to order correctly as repair parts may not be returned for credit unless they are in good saleable condition. (Does not pertain to warranty returns). Always prepay return transportation charges unless other arrangements have been made with the factory.

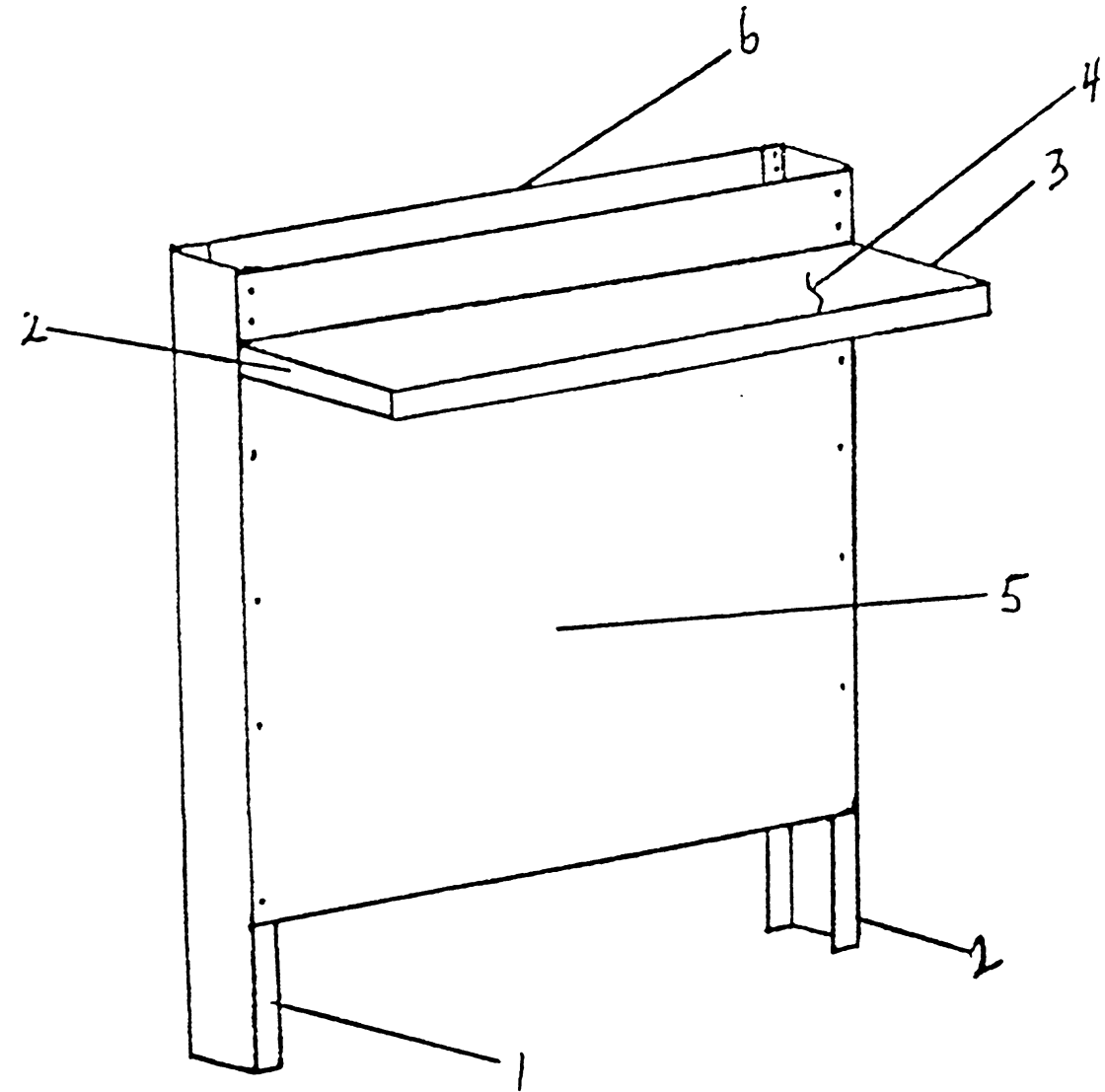
Upon request, a Return Material Authorization Number will be assigned. With the return, please include GARLAND Order Number, Part Number and reason for the return.

On returned goods in some instances (such as wrong parts ordered or customer cancellation) there will be a 25% restocking charge (up to \$25.00) to cover value for handling, inspection and restocking.

GOODS MAY NOT BE RETURNED FOR CREDIT WITHOUT PRIOR AUTHORITY (RMA #) FROM GARLAND (except when warranty is being claimed).

ALL PARTS ARE WARRANTIED FOR NINETY (90) DAYS

ALL PRICES ARE SUBJECT TO CHANGE WITHOUT NOTICE.



GV280 SERIES

EXTERIOR FINISH

ITEM	PART #	DESCRIPTION	GV28	GV286	GV283	GV284
3	1731302	Body Side Right GG	1			1
	1731202	Body Side Right GG		1		
	1605001	Body Side Right GG			1	
4	1731301	Body Side Left GG	1		1	1
	1731201	Body Side Left GG		1		
5	1374000	Upper Kick Panel GG	1			
	1374002	Upper Kick Panel GG		1		
	1374006	Upper Kick Panel GG			1	1
6	1374100	Lower Kick Panel GG	1			
	1374102	Lower Kick Panel GG		1		
	1374106	Lower Kick Panel GG			1	1
7	1081504	Center Column GG			1	1
8	1605600	Valve Panel	1			
	1605601	Valve Panel GV28S				
	1604900	Valve Panel		1		
	1604902	Valve Panel GV286S				
	1605501	Valve Panel			1	
	1604915	Valve Panel				1
10	1365778	Drip Pan Assy	1			
	1366400	Pan				
	1604611	Handle				
	1365781	Drip Pan Assy		1		
	1090101	Pan				
	1604605	Handle				
	1365773	Drip Pan Assembly Left		1	1	1
	1090001	Pan				
	1604605	Handle				
	1365789	Drip Pan Assembly 11"			1	1
	1090101	Pan				
	1365708	Handle				
	1365767	Drip Pan Assembly Right			1	1
	1090001	Pan				
	1604619	Handle				

INDEX

SECTION	DESCRIPTION	PAGE
1	OVEN FUNCTIONAL COMPONENTS	3
2	OPEN TOP FUNCTIONAL COMPONENTS	6
4	RAISED GRIDDLE BROILER COMPONENTS	8
5	VALVE CONTROL GRIDDLE TOP FUNCTIONAL COMPONENTS	10
6	EXTERIOR FINISH	12
&	HI SHELF COMPONENTS	14

GV280 SERIES

VALVE CONTROLLED GRIDDLE SECTION

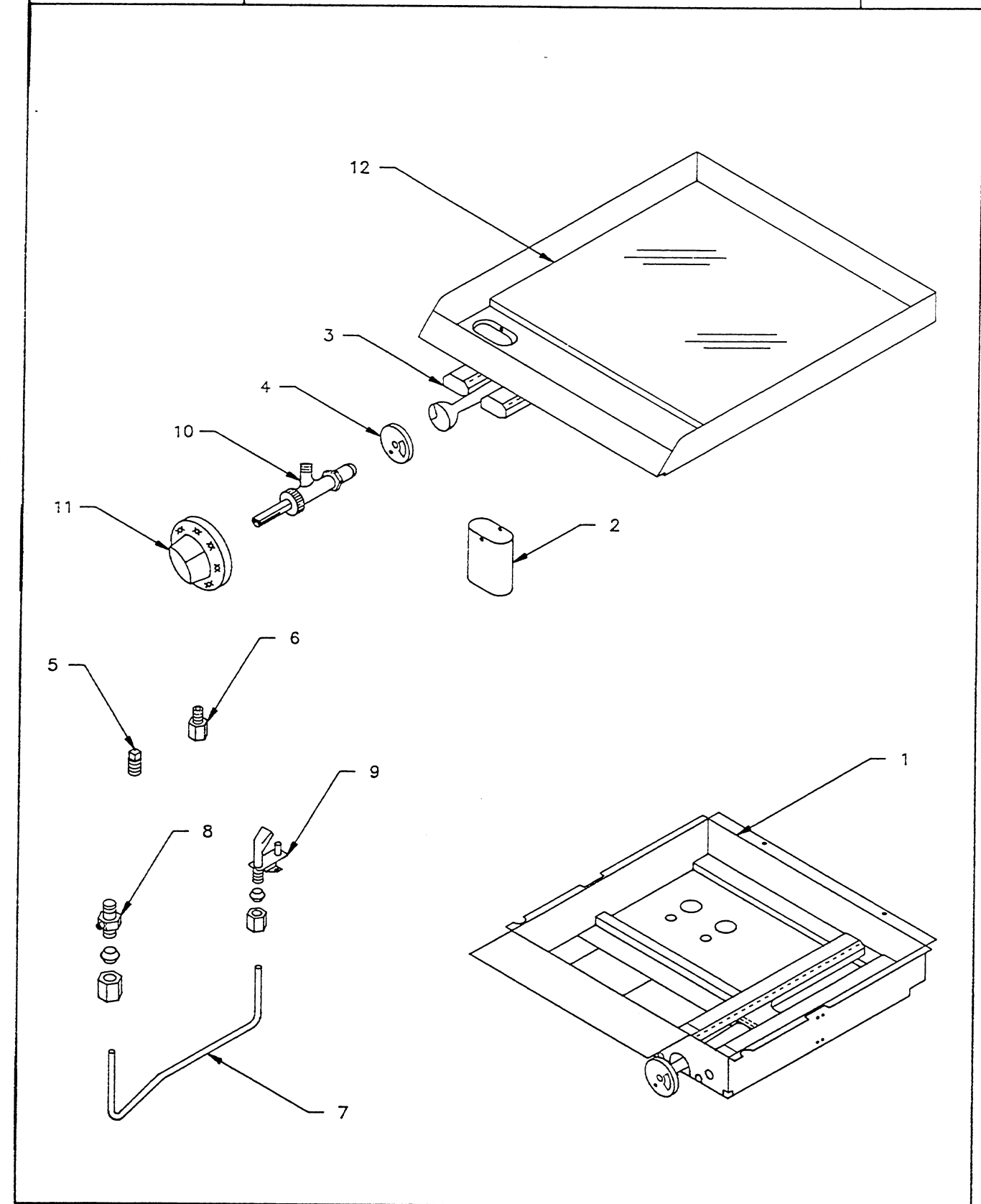
ITEM	PART #	DESCRIPTION	GV284-24G
1	1092099	Insert Box 24"	1
2	1511899	Grease Drain Tube	1
3	1014996	Griddle Burner with Air Shutter	2
4	1028002	Air Shutter	2
5	1007300	1/8 Steel Pipe Plug	2
6	1086000	1/8 NPT Adapter	2
7	1028308	3/16 Aluminum Tubing	2
8	1086597	Pilot Adjusting Valve	2
9	1091899	Burner Pilot Assy Nat	2
	1028202	Orifice Bell Nat .018	
	1091898	Burner Pilot Assy LP	2
	1028203	Orifice Bell LP .010	
10	1086589	Hi-Lo Valve Natural	2
	1020848	Orifice #48F Drill	
	1086588	Hi-Lo Valve LP	2
	1020855	Orifice #55F Drill	
11	1314002	Dial	2
	1314102	Dial Insert	2
12	1363994	Griddle BD 24"	1
	1281998	Front Splash Assembly 24"	1

GV280 SERIES
OVEN SECTION

ITEM	PART NO.	DESCRIPTION	20"	26"
1	1028197	Steel Burner	1	1
2	1028299	Pilot Burner Assy Nat	1	1
	1028202	Pilot Orifice .018 Nat		
	1028298	Pilot Burner Assy LP	1	1
	1028203	Pilot Orifice .010 LP		
3	1019418	Thermocouple	1	1
4	1260000	Pilot Tubing	1	1
5	1415701	BASO Safety Valve	1	1
	1095499	Straight Connection 3/8 X 7/16 CC		
6	1028981	Orifice Fitting Nat		1
	1021335	Orifice #35		
	1028984	Orifice Fitting LP		1
	1021351	Orifice #51		
	1028983	Orifice Fitting Nat	1	
	1021342	Orifice #42		
	1028980	Orifice Fitting LP	1	
	1021354	Orifice #54		
7	1361000	Orifice Bracket		1
	1374200	Orifice Bracket	1	
8	1089400	Oven Bottom Air Plate		2
9	1082198	Bell Crank Left		1
10	1082199	Bell Crank Right		1
	1082196	Oven Door Bell Crank S/W 24"	1	
11	1005800	Oven Door Spring	1	2
12	9004701	J Bolt (1/4 X 20 X 3 1/8)		2
	9004700	J Bolt (1/4 X 20 X 5)	1	
13	1082800	Hinge Link Right	1	1
14	1082800	Hinge Link Left	1	1
15	1082200	Bell Crank Bolt	1	2
	1357301	Bell Crank Support	1	
	1082700	Harness Ring	2	2
	1082500	Door Trunnion	2	2
	1083000	Trunnion Support	2	2
16	1103400	Oven Rack		1
	9002200	Oven Rack	1	
17	1005598	Oven Bottom		1
	1369398	Oven Bottom Liner Assy 24" GCE	1	
29	1027603	Leg Retainer	4	4
30	1150501	Bullet Leg	4	4
31	1027800	Caster without Brake	2	2
	1027801	Caster with Brake	2	2
32	1005398	Flue Box Assembly	1	1
33	1748499	Oven Door Assembly Complete SS		1
	1748599	Oven Door Assembly Complete SS 24"	1	
34	1080709	Oven Door Lining GCE		1
	1368901	Oven Door Lining GCE	1	
35	1374699	Oven Door Insert		1
	1369099	Oven Door Insert W/A	1	

GV280 SERIES
OVEN SECTION CONTINUED

ITEM	PART #	DESCRIPTION	20"	24"
36	1080714	Oven Door Panel SS		1
	1368801	Oven Door Panel SS	1	
37	9003701	Handle End Left	1	1
38	9003700	Handle End Right	1	1
39	1589100	Oven Door Handle		1
	1589101	Oven Door Handle	1	
40	1748301	Handle Overlay (Welbilt by Garland)		1
	1748302	Handle Overlay (Welbilt by Garland)	1	
41	1594300	Hex Washer HD Screw	2	2



GV280 SERIES
OPEN TOP FUNCTIONAL COMPONENTS

ITEM	PART #	DESCRIPTION	GV28	GV286	GV283	GV284
1	1554199	Top Grate	2	3	3	5
2	1689802	Ring Grate	4	6	6	10
3	1553798	Rear Burner	2	3	3	5
4	1553898	Front Burner	2	3	3	5
5	1028002	Air Shutter	4	6	6	10
6	1084500	Top Lighter Assembly	2	3	3	5
7	1664601	Top Lighter Support	2	3	3	5
8	1032617	1/8 X 028 X 17 Steel Tubing	2	3	3	5
9	1086199	Top Pilot Valve Assembly	2	3	3	5
10	1510403	Y Pilot with Adj. 1/8cc, 3/16cc	1	1	2	2
11	1562599	Top Burner Valve Natural	4	6	6	10
	1020846	Orifice Natural #46				
	1562598	Top Burner Valve LP	4	6	6	10
	1037755	Orifice LP #55				
12	1089100	Valve Handles	4	6	6	10
13	1085999	Oven Valve	1	1	2	2
14	1089101	Oven Valve Handle	1	1	2	2
15	1017502	FDO Thermostat with tube nut	1	1	2	2
	1017504	Tube Nut	2	2	4	4
16	1314003	Dial	1	1	2	2
	1314116	Dial Insert	1	1	2	2
17	1090311	7/16 X 032 X 11 Aluminum Tubing	1	1	2	2
18	1664401	Burner Rest 24"	1			
	1664402	Burner Rest 36"		1	1	
	1664403	Burner Rest 60"				1
19	1084200	Burner Rest Support GG	2	2	2	2
	1664501	Center Support		1	1	2
20	1085103	Burner Box Front Channel	1			
	1085000	Burner Box Front Channel		1		
	1085104	Burner Box Front Channel			1	
	1085102	Burner Box Front Channel			1	
	1085100	Burner Box Front Channel				1

