

G, GF, U, and X Raised Griddle Broiler Crumb Tray Guide

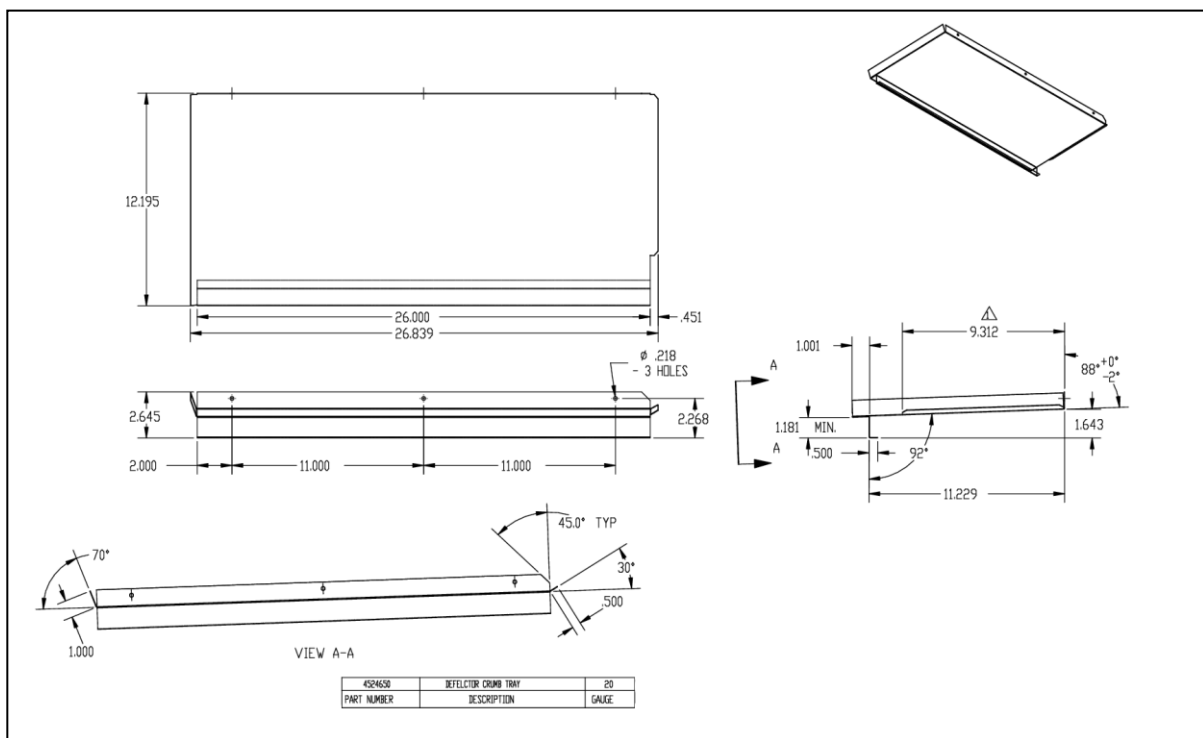
On these units with Raised Griddle Broilers, the circled crumb tray handle is a false front. Due to the components in this section, no crumb tray is installed.



Note the tabs holding the false front in place



Below the burners in this section, a deflector crumb tray is installed on a slight angle to deflect any spilled liquids into the crumb tray to the left.



The Deflector Crumb Tray is located as shown below (item 5) and it should be cleaned as needed by removing the top grates and burners and wiping toward the crumb tray to the left, which can then be removed for cleaning.

