

## Product Bulletin Advisement

**Bulletin #:** 33-060206  
**Brand:** Garland  
**Date:** June 2, 2006  
**From:** Brian J. Arnold  
**Subject:** Counter Leg Channel Support

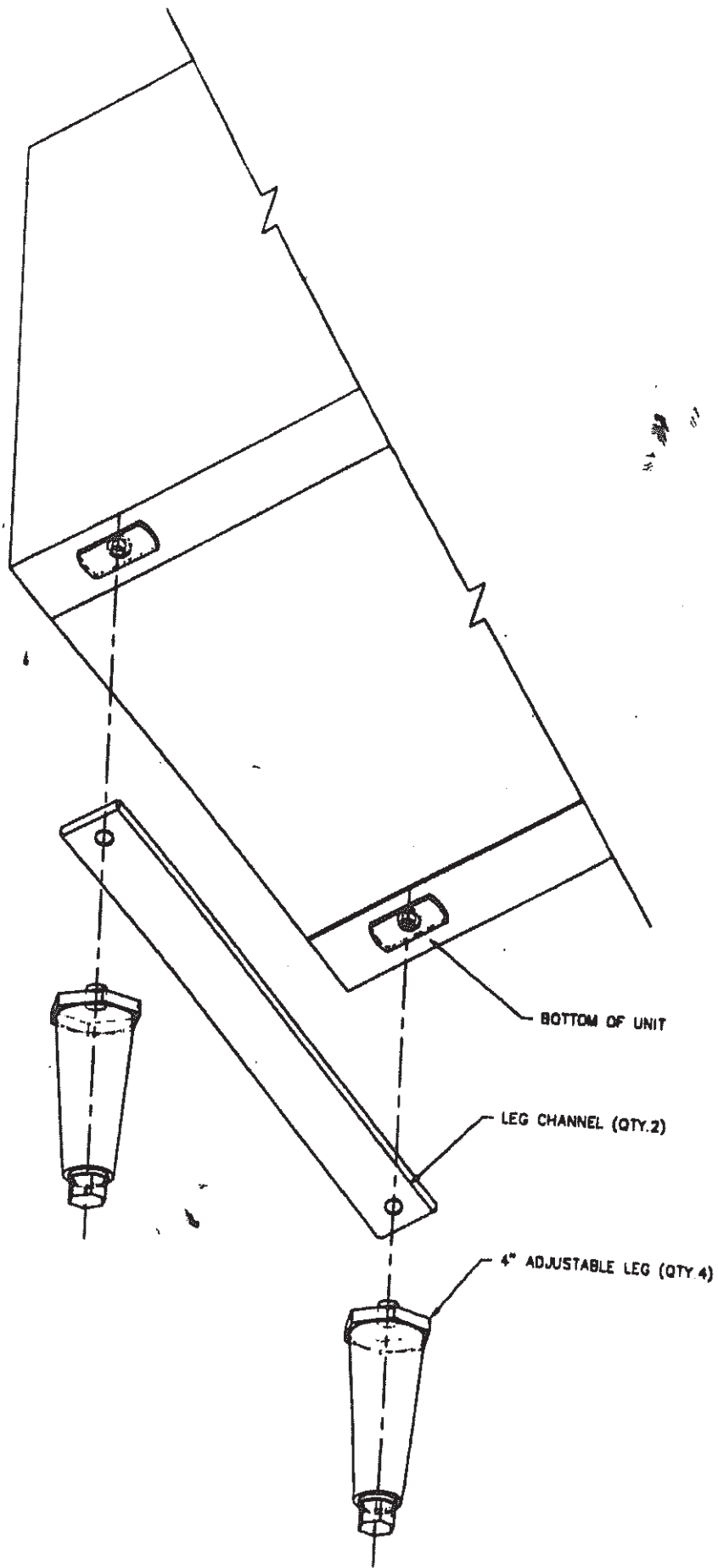
---

Please note Garland gas and electric counter models are supplied with two stainless steel leg channel supports and four metal legs as shown below.



The channel supports run along the under side of the counter piece which adds extra stability and strength for the legs, they are threaded through the channel supports into the underside body. The attached diagram, which is supplied with your unit, shows how these pieces are installed.

We have had few recent installations where the installers are forgetting to install the channel supports. If you see a counter unit without the supports advise your customer to have installer install them as soon as possible.



# LEG INSTALLATION