

175 5799

PARTS LIST

GARLAND

Models: ECO-G-10; ECO-G-20

Models: ICO-G-10; ICO-G-20

-single

-double.

GAS CONVECTION OVENS

*TTG 3
4*

TTG3

TTG4

Legs → Stack

Kit.

Gas / Full / std

1755799

CK1131 Direct Conect - Single

CK1132 " " Double.

Continuous product improvement is a Garland policy, therefore specifications and design are subject to change without notice.

GARLAND

A WELBILT Company

Garland Commercial Industries, Inc.
Freeland, Pennsylvania 18224

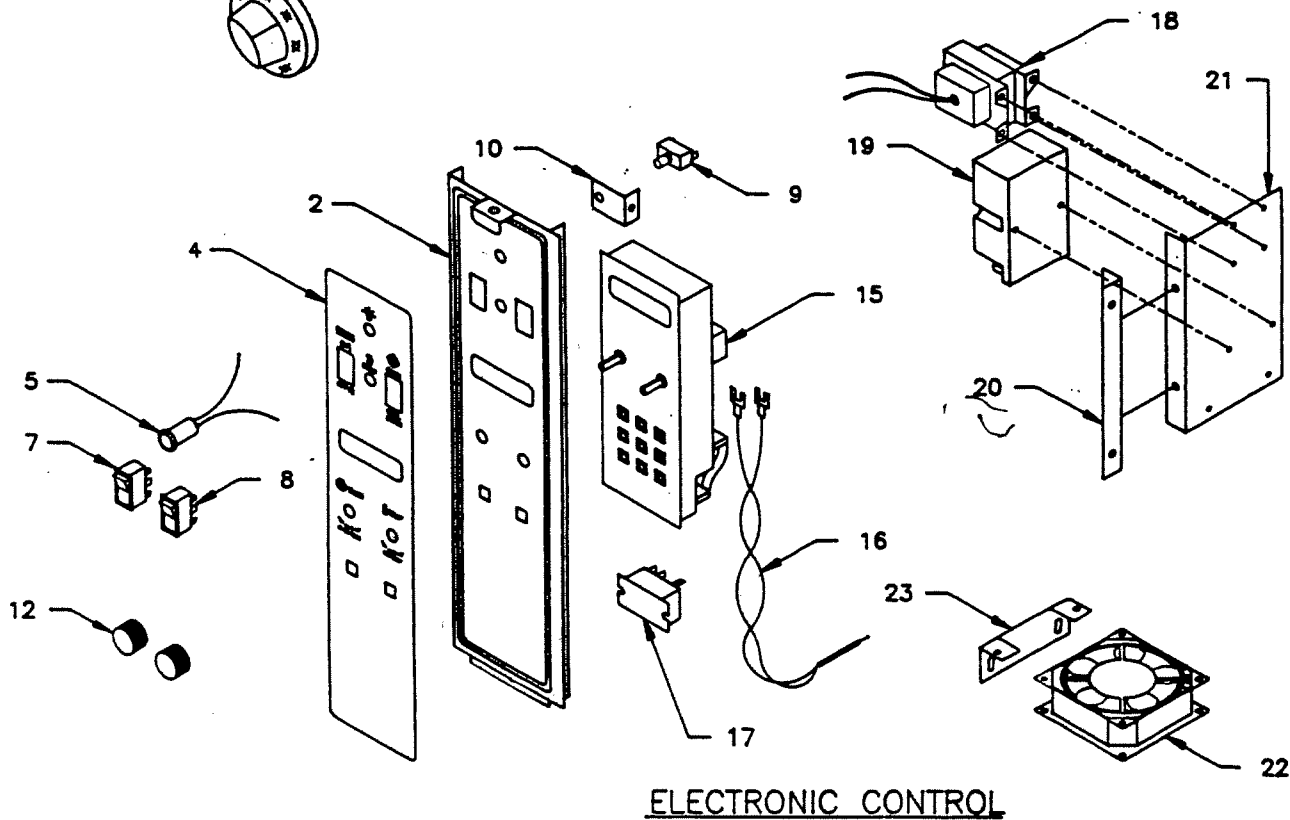
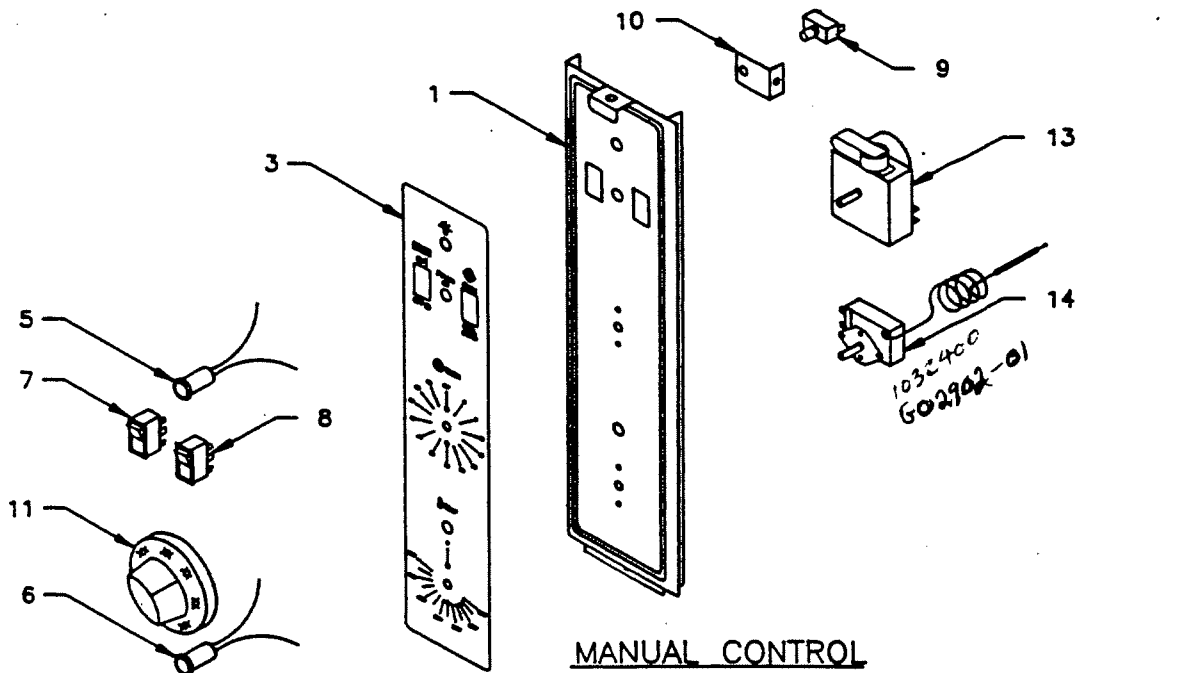
Phone (717) 636-1000
FAX: (717) 636-3903

Printed in the U.S.A.

Form GCI-R104 Rev. 3

PRICE - \$2.50

PSIM5832785



Hi-Limit 1848201

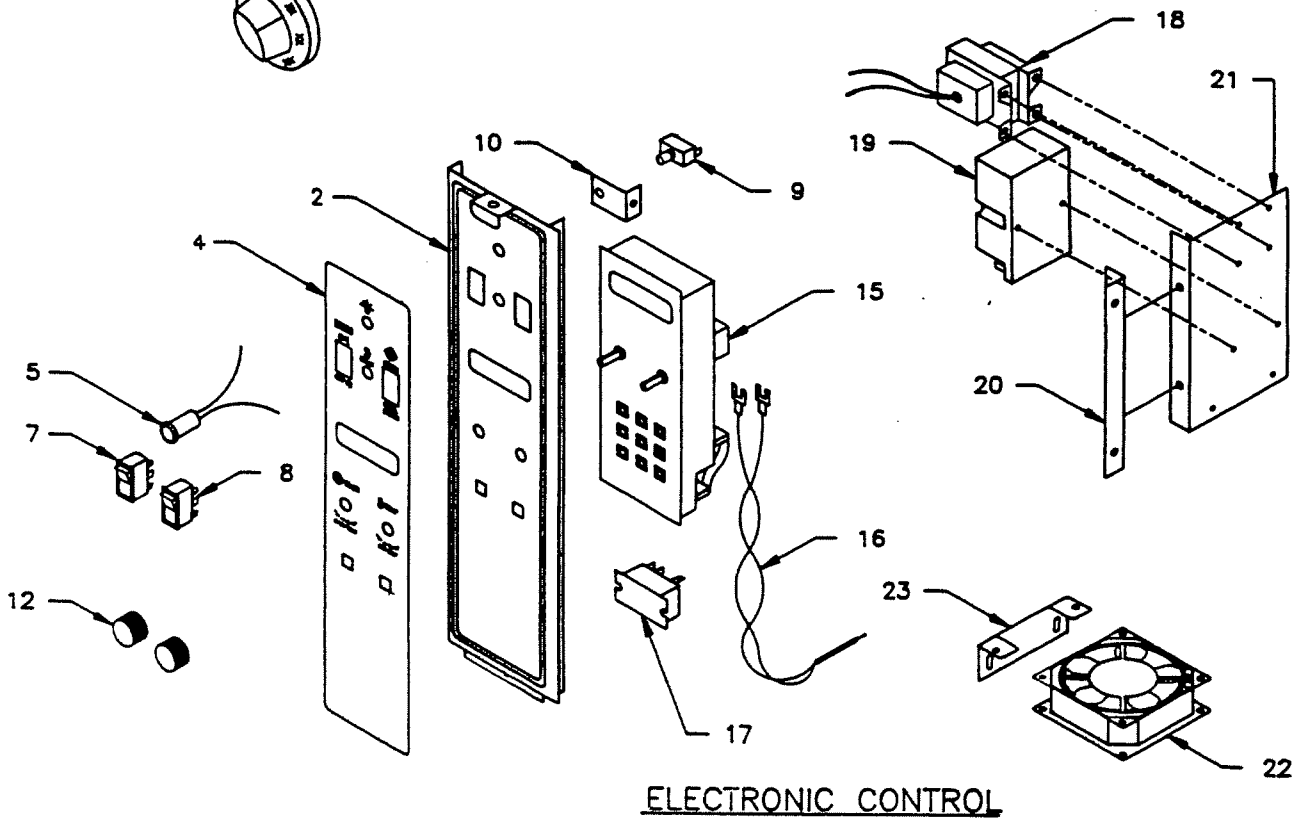
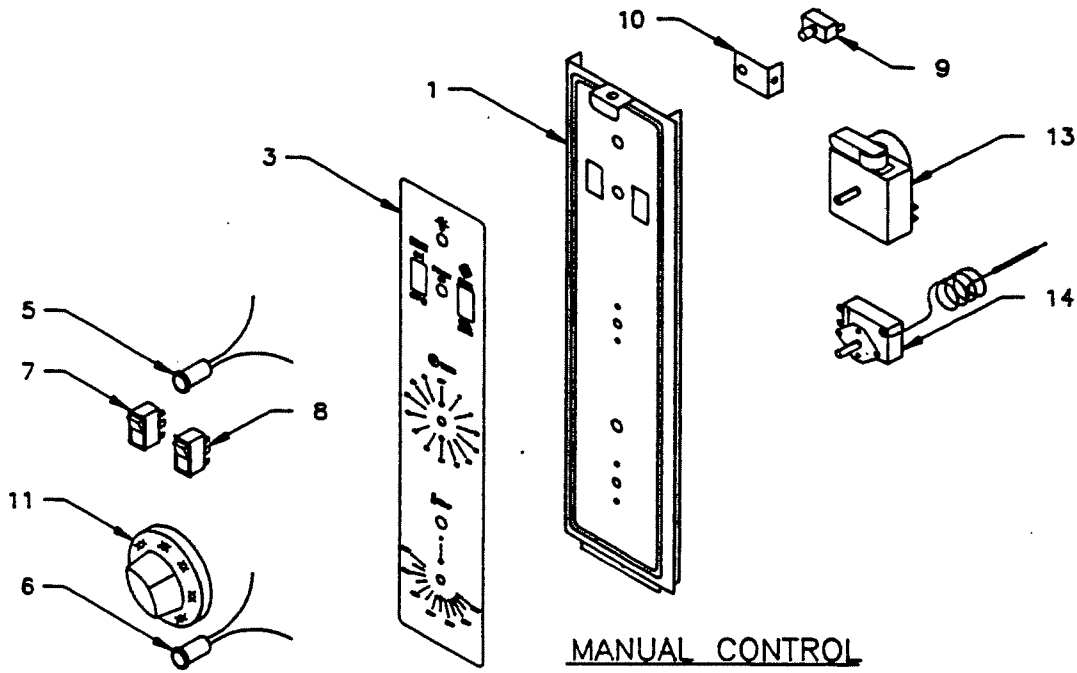
1848201

ECO/ICO CONTROL PANEL

<u>ITEM</u>	<u>PART #</u>	<u>DESCRIPTION</u>	<u>QUANTITY</u>	
2	1719897	Control Panel - 2 Button - After 8/12/94	1	
	1719899	Control Panel - 2 Button - 11/92 to 8/94	1	
	1719899	Control Panel - 8 Button - After 11/17/92	1	
	1719898	Control Panel - 12 Button - After 11/17/92	1	
	1657799	Control Panel - 2 Button/8 Button - Before 11/92	1	
	1657798	Control Panel - 12 Button - Before 11/92	1	
4	1657712	Overlay - 2 Button 2 Speed - After 8/12/94	1	
	1657714	Overlay - 2 Button 1 Speed - After 8/12/94	1	
	1657704	Overlay - 2 Button 2 Speed - 6/90 to 8/12/94	1	
	1657702	Overlay - 2 Button 1 Speed - 6/90 to 8/12/94	1	
	1399000	Overlay - 2 Button - Before 6/90	1	
	1657708	Overlay - 8 Button 2 Speed - After 6/90	1	
	1657706	Overlay - 8 Button 1 Speed - After 6/90	1	
	1399100	Overlay - 8 Button - Before 6/90	1	
	1657710	Overlay - 12 Button - After 6/90	1	
	1541600	Overlay - 12 Button - Before 6/90	1	
	5	1270000	Amber Pilot Light - 24V	1
	7	1019207	Rocker Switch - 3 Position - 2 Speed	1
1019203		Rocker Switch - 2 Position - 1 Speed	1	
8	1019209	Rocker Switch - 2 Position Cook (cool down)	1	
9	1181000	Momentary Switch	1	
10	1749201	Panel Restraining Brackett	1	
12	1720501	Knob - 2 Button Control - After 8/12/94	2	
	9007200	Knob - 2 Button Control - Before 8/12/94	2	
	9007200	Knob - 8 Button and 12 Button Control	2	
15	1517706	Control - 2 Button - After 8/12/94 - shorter 63W	1	
	1517702	Control - 2 Button - Before 8/12/94 - Thermostat	1	
	1517703	Control - 8 Button - longer "9"	1	
	1544800	Control - 12 Button	1	
16	9006800	Temperature Probe RTO Sensor	1	
17	1771601	Relay - 115V	1	
	1771602	Relay - 208/240V Export	1	
18	1289800	Transformer 115V to 24V G0355A-1	1	
19	1516301	Ignition Module - Natural Gas	1	
	1516300	Ignition Module - LP Gas 2152700	1	
20	1774702	Module Mounting Bracket	1	
21	1774701	Module Mounting Plate	1	
22	1671100	Polar Fan - 115V	1	
	1671101	Polar Fan - 208/240V Export	1	
23	1774402	Cooling Fan Mounting Bracket	1	

Electronic to Manual
Control Kit

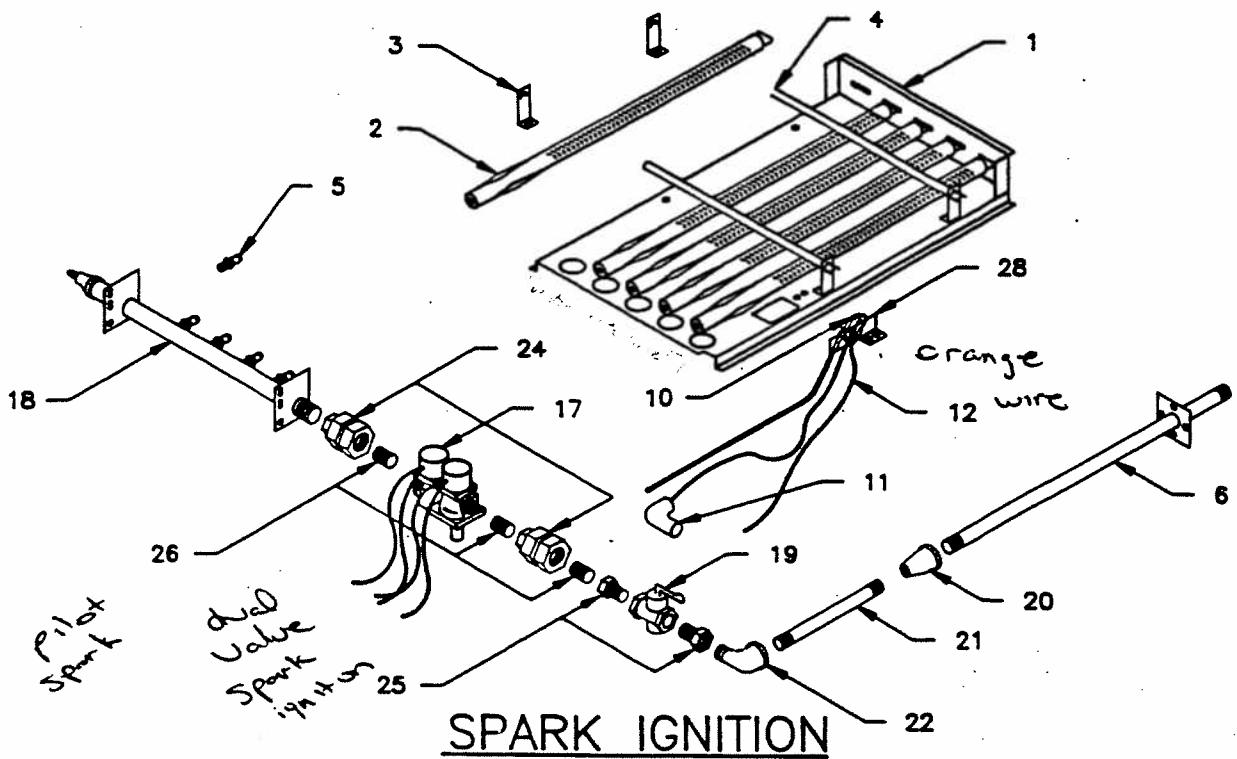
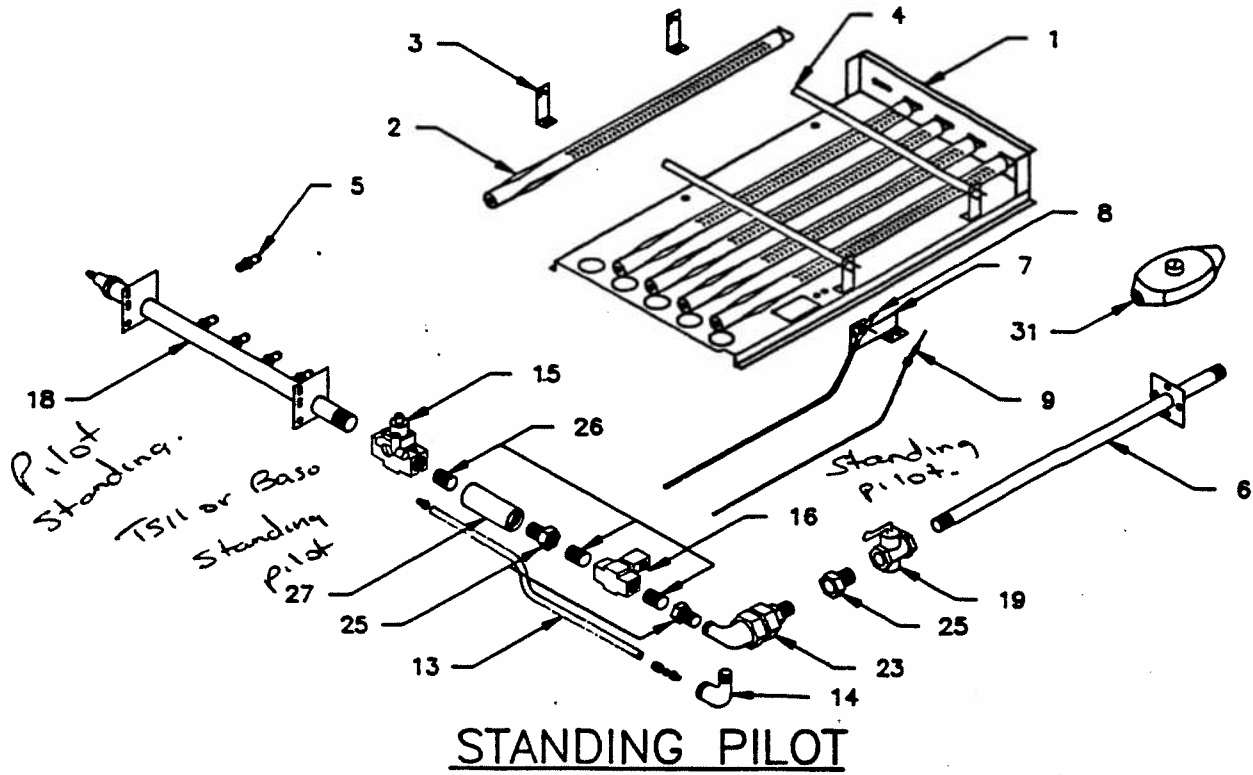
CK4014 - 1 SP.
CK4015 - 2 SP.



ECO/ICO CONTROL PANEL

MANUAL CONTROLS

ITEM	PART #	DESCRIPTION	QUANTITY
1	1657901	Control Panel - Before 11/17/92	1
	1719801	Control Panel - After 11/17/92	1
3	1657904	Overlay - 2 Speed Motor	1
	1657902	Overlay - 1 Speed Motor	1
5	1006489	Green Pilot Light - 115V <i>- oven on</i>	1
	1006493	Green Pilot Light - 208/240V Export	1
6	1006496	Amber Pilot Light - 115V <i>- timer.</i>	1
	1006498	Amber Pilot Light - 208/240V Export	1
7	1019207	Rocker Switch - 3 Position - 2 Speed	1
	1019203	Rocker Switch - 2 Position - 1 Speed	1
8	1019209	Rocker Switch - 2 Position <i>to terminal</i>	1
9	1181000	Momentary Switch	1
10	1749201	Panel Restraining Bracket	1
11	1314001	Dial <i>G02716-1</i>	1
	1314121	Insert <i>G02725-21</i>	2
13	1285700	Timer - 1 Hour - 115V	2
	1285701	Timer - 1 Hour - 208/240V Export	1
	1285600	Timer - 12 Hour - 115V	1
	1385601	Timer - 12 Hour - 208/240V Export	1
14	1002300	Thermostat <i>G02902-01</i>	1



ECO/ICO OPERATIONAL COMPONENTS

ITEM	PART #	DESCRIPTION	ECO	ICO
1	1532600	Burner Pan	1	1
2	1265589	Burner Before 6/90 - fat at one end, skinny at other	5	5
	1467400	Burner After 6/90 - Same size - Straight	5	5
3	1467600	Crossover Bracket	4	4
4	1265504	Crossover Angle - lays over burners - spreads flame	2	2
5	1265548	Orifice Fitting #48 (Nat)	5	5
	1265556	Orifice Fitting #56 (LP)	5	5
6	1302197	Tall Pipe Assy Standard	1	-
	1302196	Tall Pipe Assy Deep	-	1
7	1589500	Pilot Bracket	1	1
8	1028297	Pilot Burner Nat	1	1
	1028296	Pilot Burner LP	1	1
9	1019418	Thermocouple	1	1
10	1758901	Pilot Nat (Electronic)	1	1
	1758902	Pilot LP (Electronic)	1	1
	1466100	Flame Sensor	1	1
11	1666300	RAJH Adaptor	1	1
	1030023	Female Connector	1	1
12	1289703	Cable (Flame Sensor) - orange wire harness for	1	1
13	1028709	1/4" Aluminum Tubing	1	1
14	1026730	1/8 Street Elbow 90°	1	1
15	1027001	TS11 Safety Valve	1	1
16	1027300	Gas Solenoid part of standing pilot. 602965-1	1	1
17	1754901	Dual Valve Nat (After 8/3/93)	1	1
	1754902	Dual Valve LP (After 8/3/93)	1	1
	CK4540	Manifold Dual V Nat (Before 8/3/93)	1	1
	CK4541	Manifold Dual V LP (Before 8/3/93)	1	1
18	1265590	Manifold Assy w/Bracket (Standing Pilot)	1	1
	1265585	Manifold Assy w/Bracket (Spark Ignition)	1	1
19	1265900	Shut Off Valve	1	1
20	1004849	Bell Reducer 3/4 to 1/2		
21	1004646	Black Nipple 1/2 X 4 NPT		
22	1026733	Street Elbow 1/2 NPT 90°	1	1
23	1026941	90° Union Elbow 1/2 X 1/2	1	1
24	1026903	1/2" Union	1	1
25	1038403	Reducer Bushing 3/4 X 1/2	2	2
26	1004640	1/2 Closed Nipple 1 1/8" Long	3	3
27	1004816	Pipe coupling 1/2" X 1 1/2	1	1
28	1759101	Pilot Bracket	1	1
31	1019010	Regulator Nat	1	1
	1019011	Regulator LP	1	1

BURNER PACKAGE ASSEMBLIES

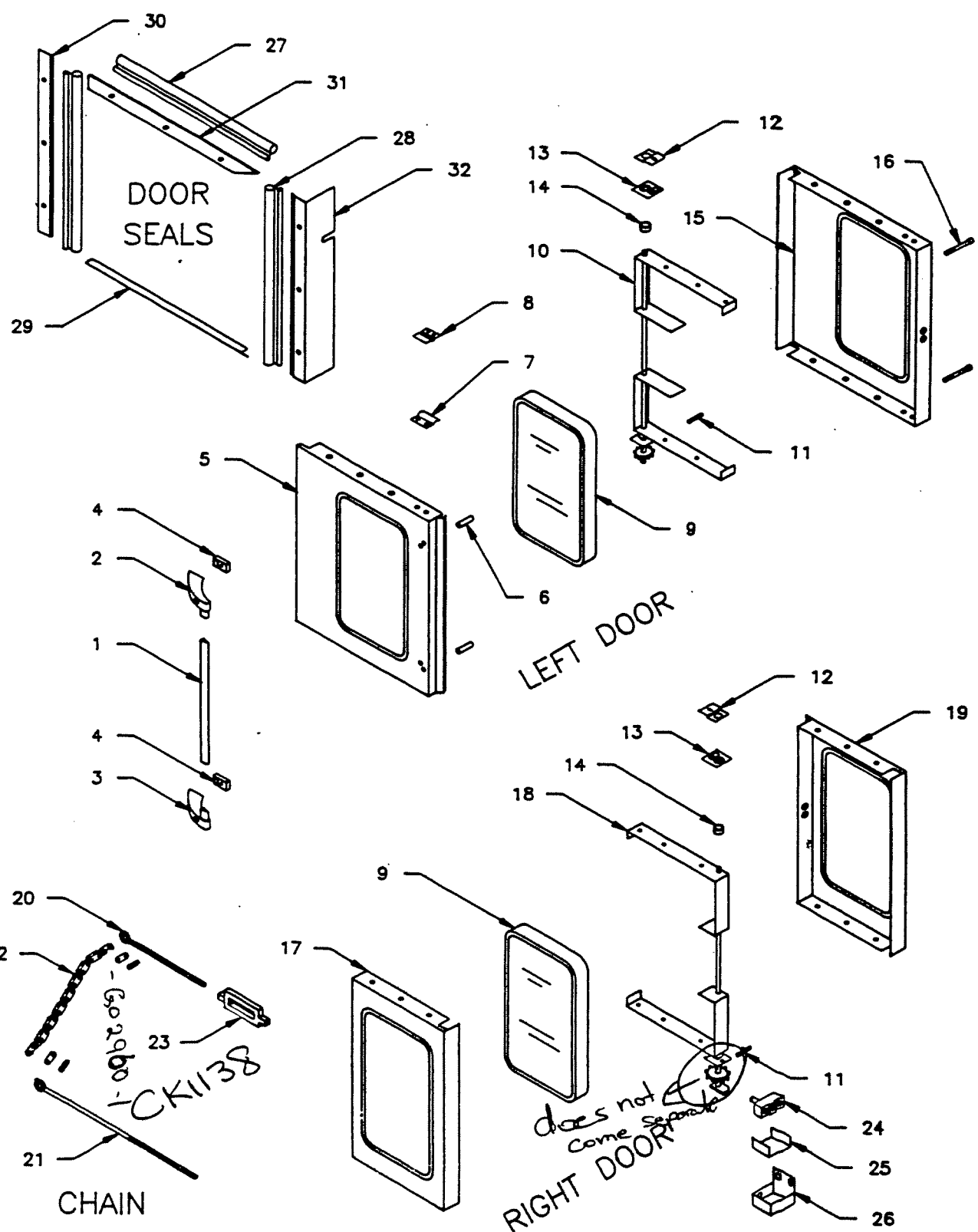
- CK1265599 Standing Pilot Natural
- CK1265598 Standing Pilot LP
- CK4538 Electronic Ignition Natural
- CK4539 Electronic Ignition LP

↳ Burners - 60K
1800902

Venturi Plate.
Shield.

↳ 5 burners
1800903 - 80K

goes in front of burners
keeps heat from coming towards front

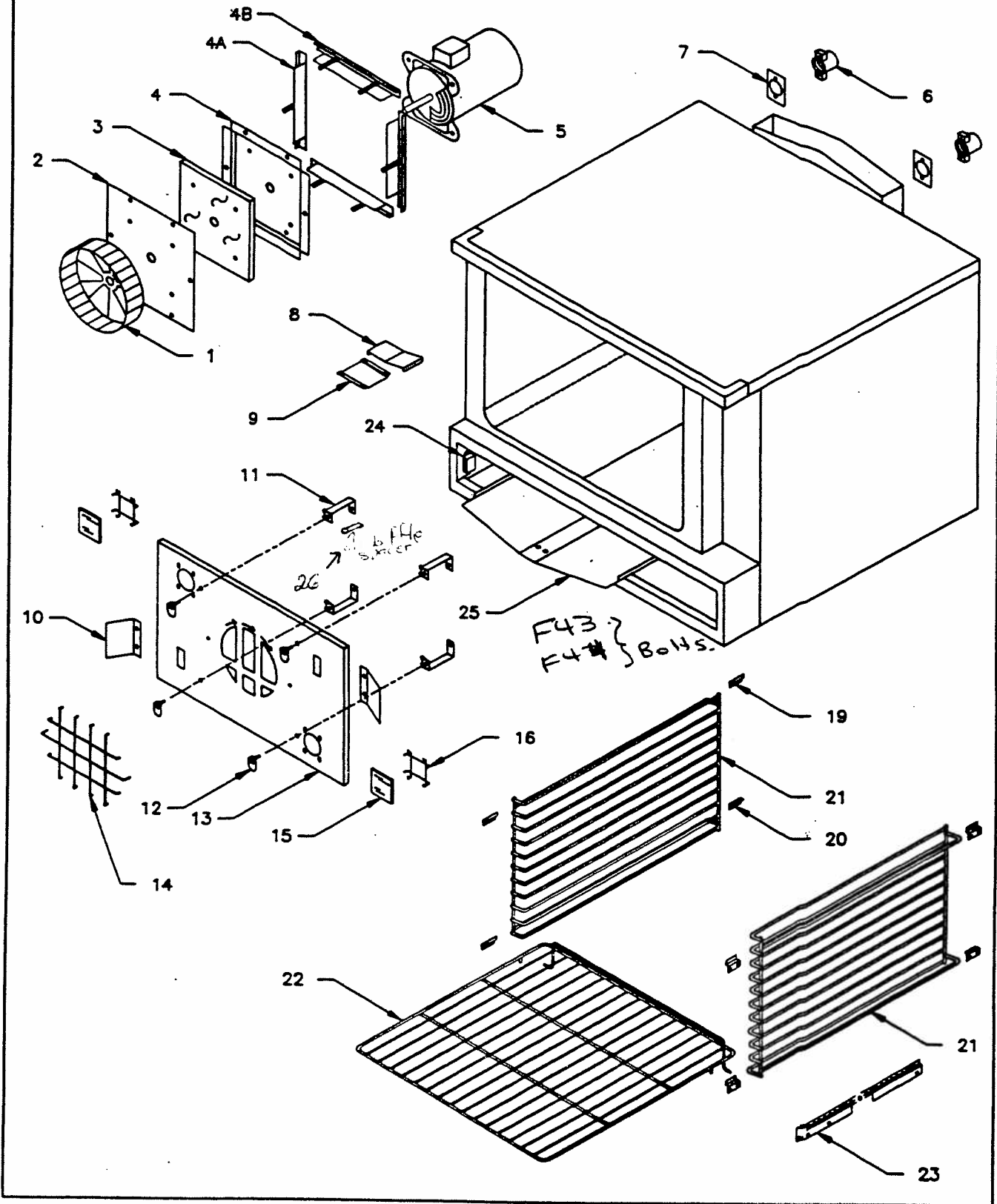


Door frame - 201102

ECO/ICO DOOR COMPONENTS

ITEM	PART #	DESCRIPTION	ECO	ICO
	1029279	Left Door Assy with window	1	1
	1029277	Left Door Assy Solid (OPT)		
	1029278	Right Door Assy Solid	1	1
	1029276	Right Door Assy with window (OPT)		
1	1016700	Oven Door Handle	1	1
2	1016702	Oven Door Handle End (Top)	1	1
3	1016701	Oven Door Handle End (Bottom)	1	1
4	1016703	Oven Door Handle Spacer	2	2
5	1011605	Left Oven Door Panel (w/window)	1	1
	1011606	Left Oven Door Panel (Solid)		
6	1011707	Handle Spacer Tubing	2	2
7	1021904	Door Catch (Mounted on Door) →	1	1
8	1021902	Door Catch (Mounted on Frame)	1	1
9	1010999	Oven Door Window	1	1
10	1011895	Left Door Frame *	1	1
11	1019701	Roller Pin	1	1
12	1302800	Upper Door Bearing Retainer	2	2
13	1010589	Hinge Bracket Assembly with Bearing	2	2
14	1011201	Steel Tubing Chrome Spacer	2	2
15	1011799	Left Door Liner Assembly with Window	1	1
	1011798	Left Door Liner Assembly Solid		
16	8004004	Allen Head Cap Screw 1/4 - 20 X 3 3/16	2	2
17	1011402	Right Door Panel Solid	1	1
	1011403	Right Door Panel with Window		
18	1011897	Right Door Frame Solid	1	1
	1011896	Right Door Frame with Window		
19	1011502	Right Door Liner Solid	1	1
	1011599	Right Door Liner with Window		
20	1014201	Left Door Rod (Short)	2	2
21	1014200	Right Door Rod (Long)	2	2
22	1021100	Roller Chain - 8"	2	2
23	1015000	Turnbuckle	2	2
24	1019600	Micro Switch - up to 3/01/99	1	1
25	1533400	Micro Switch Cover (Insulation Paper)	1	1
26	1533800	Micro Switch Bracket	1	1
27	1581600	Top Door Seal	1	1
28	1581601	Side Door Seals Before 11/17/92	2	2
	1581601	Left Side Seal Only - After 11/17/92	1	1
29	1534500	Bottom Door Seal	1	1
30	1304201	Side Door Bracket - Before 11/17/92	2	2
	1304201	Left Side Door Bracket Only - After 11/17/92	1	1
31	1304202	Top Door Bracket	1	1
32	1719001	Right Door Seal - After 11/17/92	1	1

Tim's - Spritzer Model
 Tim Horton's
 ICO
 1794601 - micro switch bracket.
 1795301 - steel rivet
 1795401 clip hold
 9 1793004 micro switch
 1792...



ECO/ICO OVEN COMPONENTS

ITEM	PART #	DESCRIPTION	ECO	ICO
1	1025302	Blower Wheel Assembly (NI Plated) 602952-01P	1	1
2	1011906	Motor Mount Plate	1	1
3	1012100	Motor Mount Marinite (Insulation)	1	1
4	1012000	Motor Mount GG	1	1
4A	1012498	Motor Mount Brace Side	2	2
4B	1012499	Motor Mount Brace Top & Bottom	2	2
5	1686703	Motor 1/2 HP 1 Speed	1	1
	1686711 115V	Motor 1/2 HP 2 Speed (Standard 7/13/93)	1	1
	CK1003099	Motor Assembly (Items 1,2,3,4,5) 1 Speed		
	CK1003095	Motor Assembly (Items 1,2,3,4,5) 2 Speed		
6	1025800	Lamp Socket Porcelain	2	2
7	1025900	Lamp Socket Gasket	2	2
	1026050	Lamp Bulb	2	2
8	1300900	Vent Slide Housing	1	1
9	1300901	Vent Slide	1	1
10	1541000	Air Vane	2	2
11	1533700	Air Baffle Spacer	4	4
12	1031901	Thumb Screws (Used before 6/88)	4	4
	8005000	1/4 Turn Pin (Used after 6/88)	4	4
	8005100	1/4 Turn Receptacle (Used after 6/88)	4	4
13	1540999	Air Baffle Assembly	1	1
14	1014500	Blower Inlet Cover	1	1
15	9004800	Glass Light Cover	1	1
16	1534400	Glass Retainer	1	1
19	1317600	Rack Guide Clip (Upper)	4	4
20	1317601	Rack Guide Clip (Lower)	4	4
21	1315700	Rack Guide	2	-
	1315701	Rack Guide Deep	-	2
22	1012600	Oven Rack 602941-01-SP	5	-
	1012700	Oven Rack Deep	-	5
23	1015799	Capillary Tube Guard	1	1
24	1020101	Magnetic Catch	2	2
25	1013400	Fire Plate	1	-
	1013401	Fire Plate Deep → Tim Hordon's	-	1
	1297199 -	Fire Plate Support Front	2	2
	1265700 -	Fire Plate Support Angle	2	2

26

1014400 Air baffle spacer

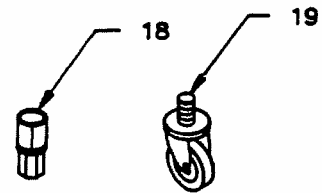
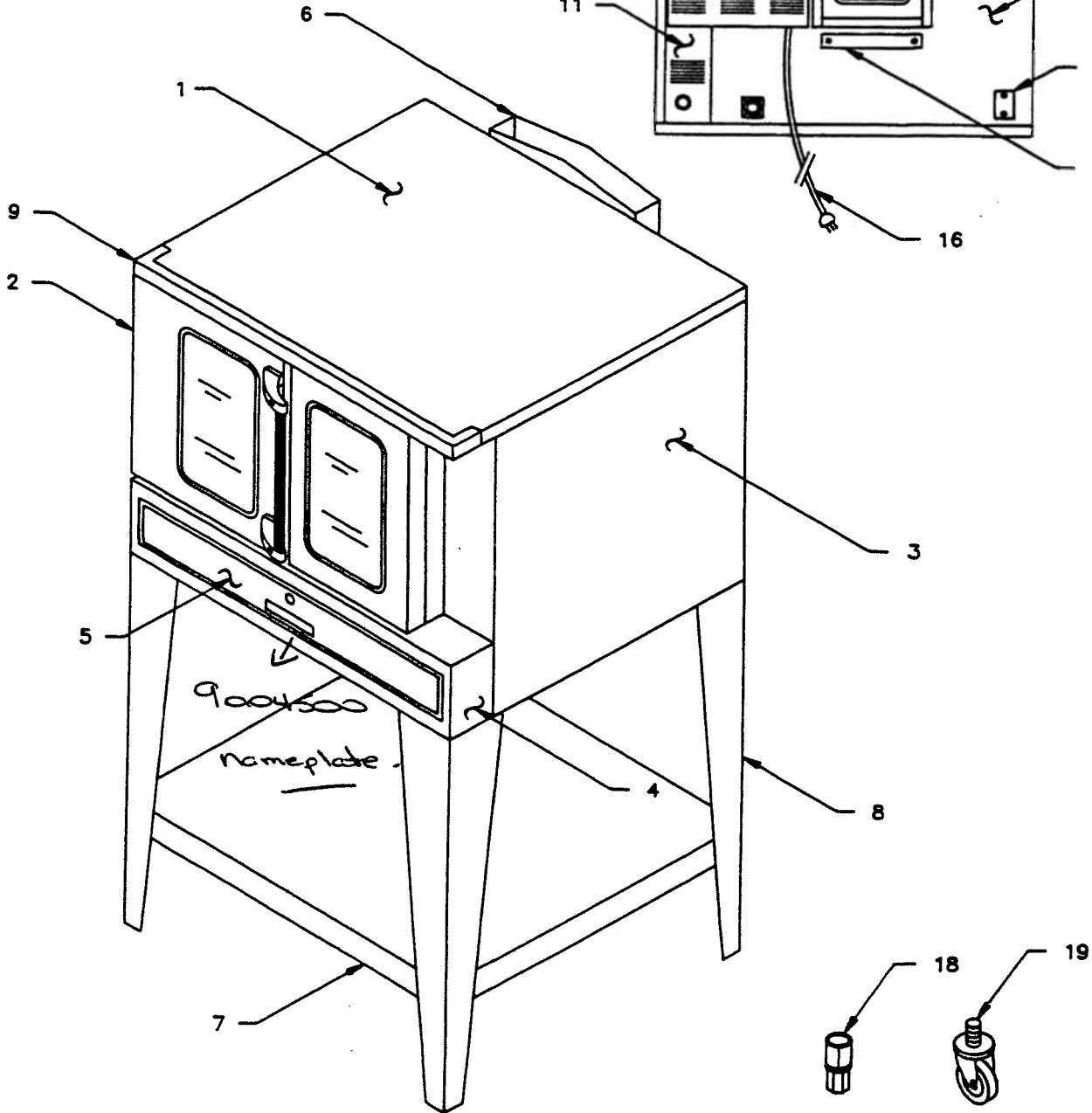
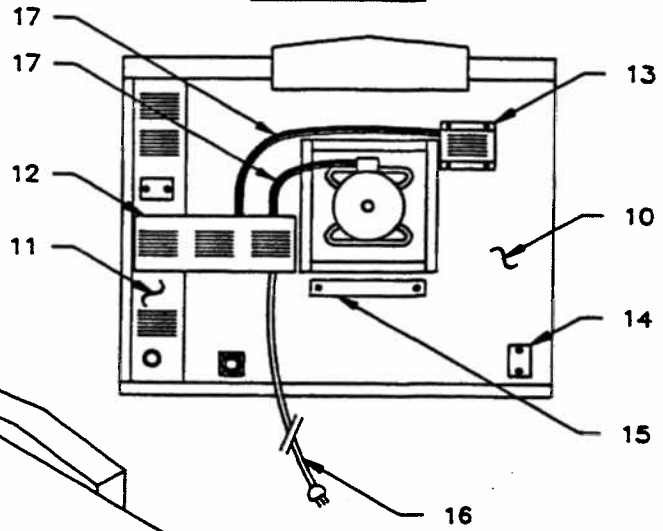
27

Blower Base with nuts → 5 Jan 13 1995

enamelled piece } ECO Patch Kit - 2391800
 replace } ECO " " 2391700

1253601 → Side Insulation Pan (Deep) For combustion chamber

REAR VIEW



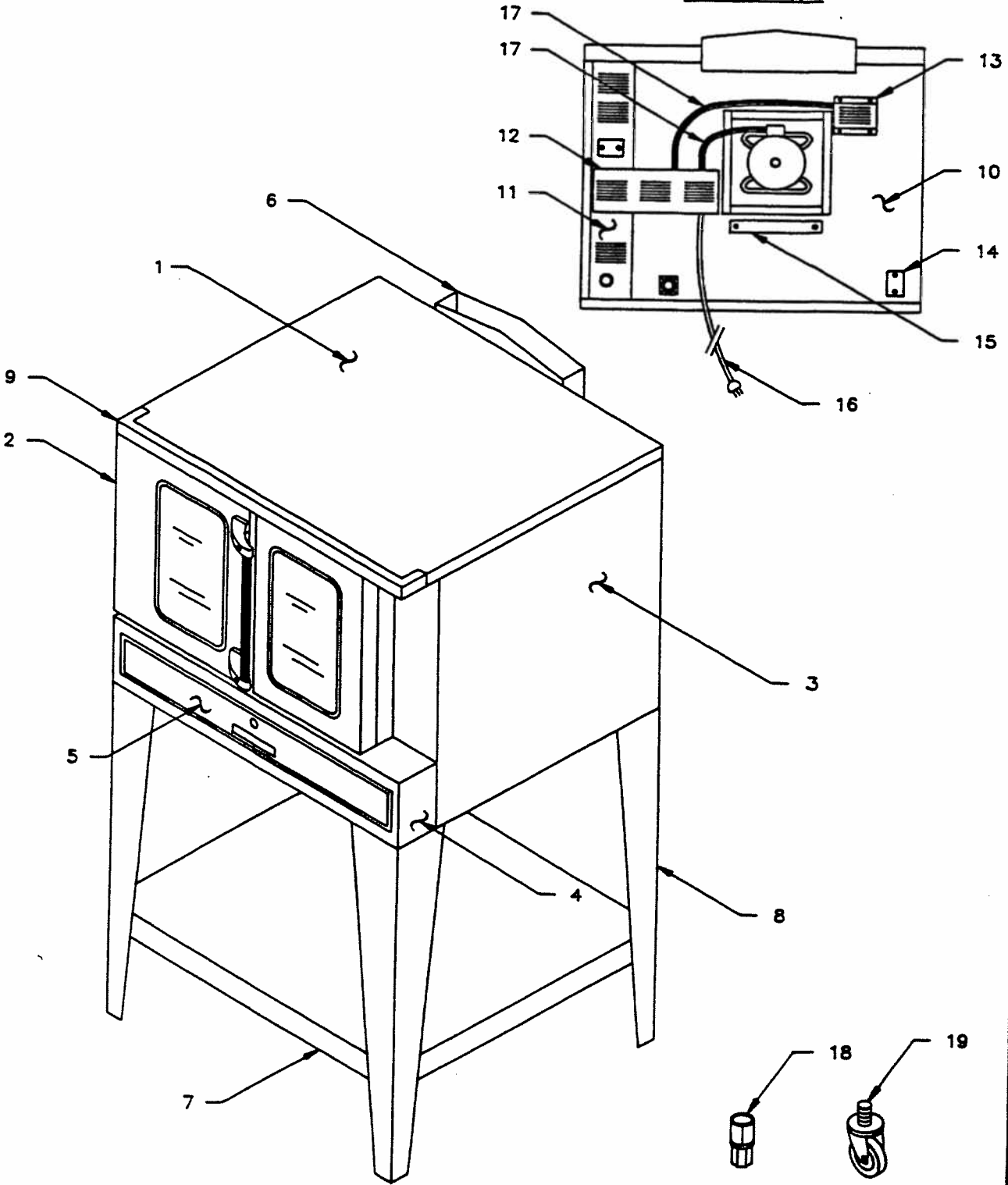
ECO/ICO MAIN EXTERIOR

ITEM	PART #	DESCRIPTION	ECO	ICO
1	1300603	Main Top Standard - CR	1	-
	1300602	Main Top Standard - SS	1	-
	1300601	Main Top Deep - CR	-	1
	1300600	Main Top Deep - SS	-	1
2	1300504	Left Body Side - Painted	1	-
	1300505	Left Body Side - SS	1	-
	1300502	Left Body Side - Painted - Deep	-	1
	1300503	Left Body Side - SS - Deep	-	1
3	1300504	Right Body Side - Painted - Before 11/92	1	-
	1300505	Right Body Side - SS - Before 11/92	1	-
	1300506	Right Body Side - Painted - After 11/92	1	-
	1300507	Right Body Side - SS - After 11/92	1	-
	1300502	Right Body Side - Painted - Before 11/92	-	1
	1300503	Right Body Side - SS - Before 11/92	-	1
	1300508	Right Body Side - Painted - After 11/92	-	1
	1300509	Right Body Side - SS - After 11/92	-	1
	4	1301899	Combustion Chamber Assembly - Before 11/92	1
1721099		Combustion Chamber Assembly - After 11/92	1	1
5	1301803	Combustion Chamber Door	1	1
6	1014099	Flue Box Assembly - Single Oven	1	1

DOUBLE STACK FLUE

	1015299	Flue Box Top ✓		
	1015205	Flue Box Lower ✓		
	1015206	Lower Box Cap ✓		
	1015287	Flue Riser ✓		
7	1684203	Lower Rack Support Painted (Before 7/93)	1	-
	1684204	Lower Rack Support SS (Before 7/93)	1	-
	1684205	Lower Rack Support Painted (Before 7/93)	-	1
	1684206	Lower Rack Support SS (Before 7/93)	-	1
	1756203	Lower Rack Support Painted (After 7/93)	1	-
	1756204	Lower Rack Support SS (After 7/93)	1	-
	1756205	Lower Rack Support Painted (After 7/93)	-	1
	1756206	Lower Rack Support SS (After 7/93)	-	1
8	1684789	Leg (Single Deck) GG (Before 7/93) <i>side mounted</i>	4	4
	1684788	Leg (Single Deck) SS (Before 7/93)	4	4
	1300793	Leg (Double Deck) GG (Before 7/93)	4	4
	1300790	Leg (Double Deck) SS (Before 7/93)	4	4
	1753299	Leg (Single Deck) GG (After 7/93) <i>Top mounted</i>	4	4
	1753298	Leg (Single Deck) SS (After 7/93)	4	4
	1753399	Leg (Double Deck) GG (After 7/93)	4	4
	1753398	Leg (Double Deck) SS (After 7/93)	4	4

REAR VIEW



ECO/ICO MAIN EXTERIOR
(CONTINUED)

ITEM	PART #	DESCRIPTION	ECO	ICO
9	1301100	Main Top Front Veneer	1	1
	1302600	Main Top Side Veneer	2	-
	1302601	Main Top Side Veneer - Deep	-	2
10	1014710	Main Back	1	1
11	1015508	Rear Control Panel Section	1	1
12	1014813	Junction Box Cover	1	1
13	1014809	Light Box Cover	1	1
14	1046500	Patch	3	3
15	1032503	Element Hole Patch	1	1
16	1029501	Power Supply Cord - 6'	1	1
17	1029430	BX Cable	2	2
	1028501	BX Cable Straight Connector 3/8	2	2
	1028500	BX Cable 90 Degree Connector 3/8	1	1
18	1236100	Square Foot Insert	4	4
19	1027500	Caster without Brake	2	2
	1027501	Caster with Brake	2	2
	1775102	Caster Pads - Single Deck		
	1302099	Caster Pads-Painted-Double Deck-Before 5/93		
	1755999	Caster Pads-Painted-Double Deck-After 5/93		
	1755998	Caster Pads-SS-Double Deck-After 5/93 →		

Subject: converting from legs to casters on ECO/ICO convection ovens

FYI,
Just a reminder, if the customer is going from legs to casters, they will need caster pads also. The casters can't be installed without them.
Rob F.