

# PARTS LIST

## **GARLAND**

**Models: ECO-E-10; ECO-E-20**

**Models: ICO-E-10; ICO-E-20**

## **ELECTRIC CONVECTION OVENS**

Continuous product improvement is a Garland policy, therefore specifications and design are subject to change without notice.

**GARLAND**®  
A WELBILT COMPANY

Garland Commercial Industries, Inc.  
Freeland, Pennsylvania 18224

Phone (717) 636-1000  
FAX: (717) 636-3903

GCI-R099 Rev. 3 1995

PRICE - \$2.50

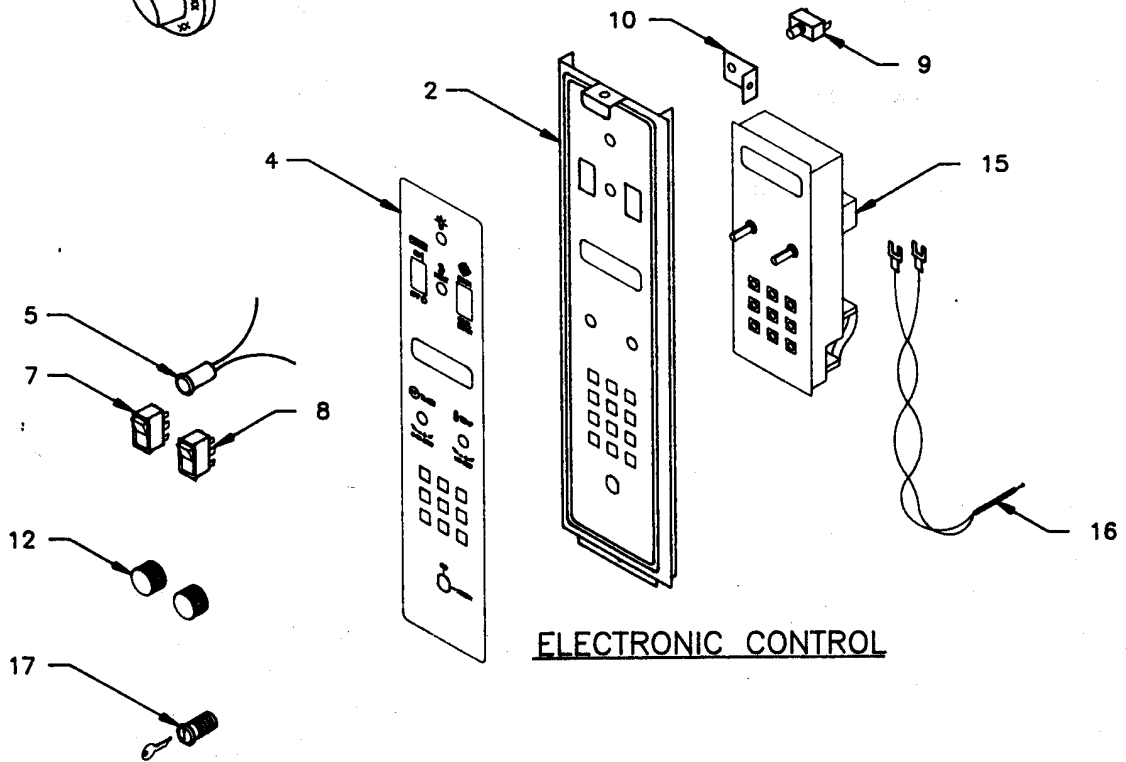
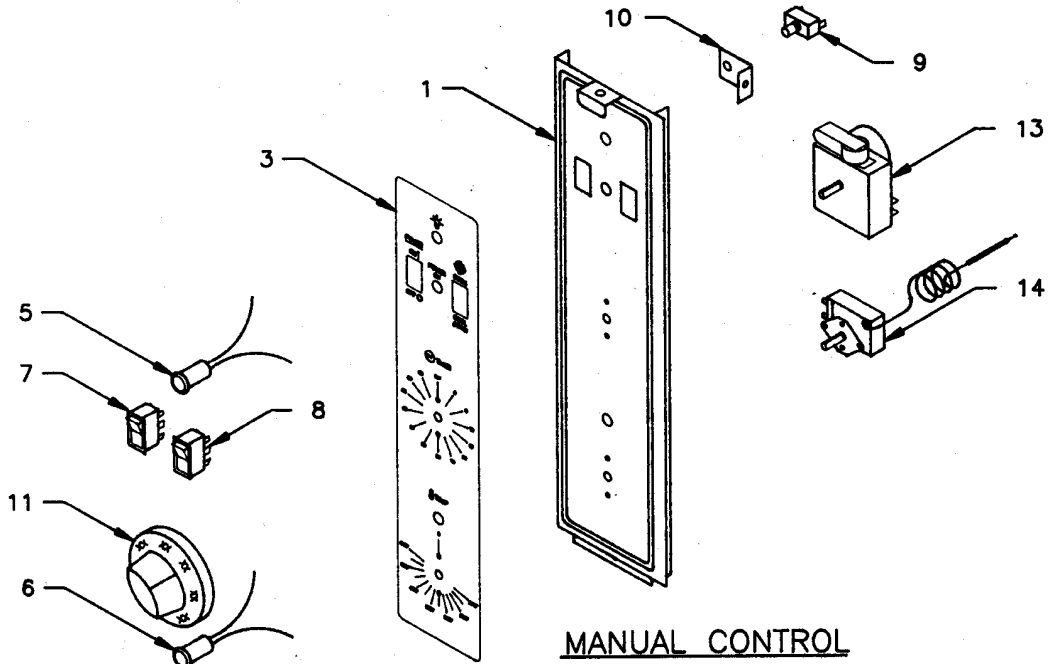
Printed in the U.S.A.  
PSIM5832705

**ECO/ICO CONVECTION OVENS**

**ELECTRIC**

**INDEX**

	<b>PAGE</b>
<b>CONTROL PANELS</b>	<b>3</b>
<b>DOOR COMPONENTS</b>	<b>5</b>
<b>OVEN COMPONENTS</b>	<b>7</b>
<b>MAIN EXTERIOR</b>	<b>11</b>

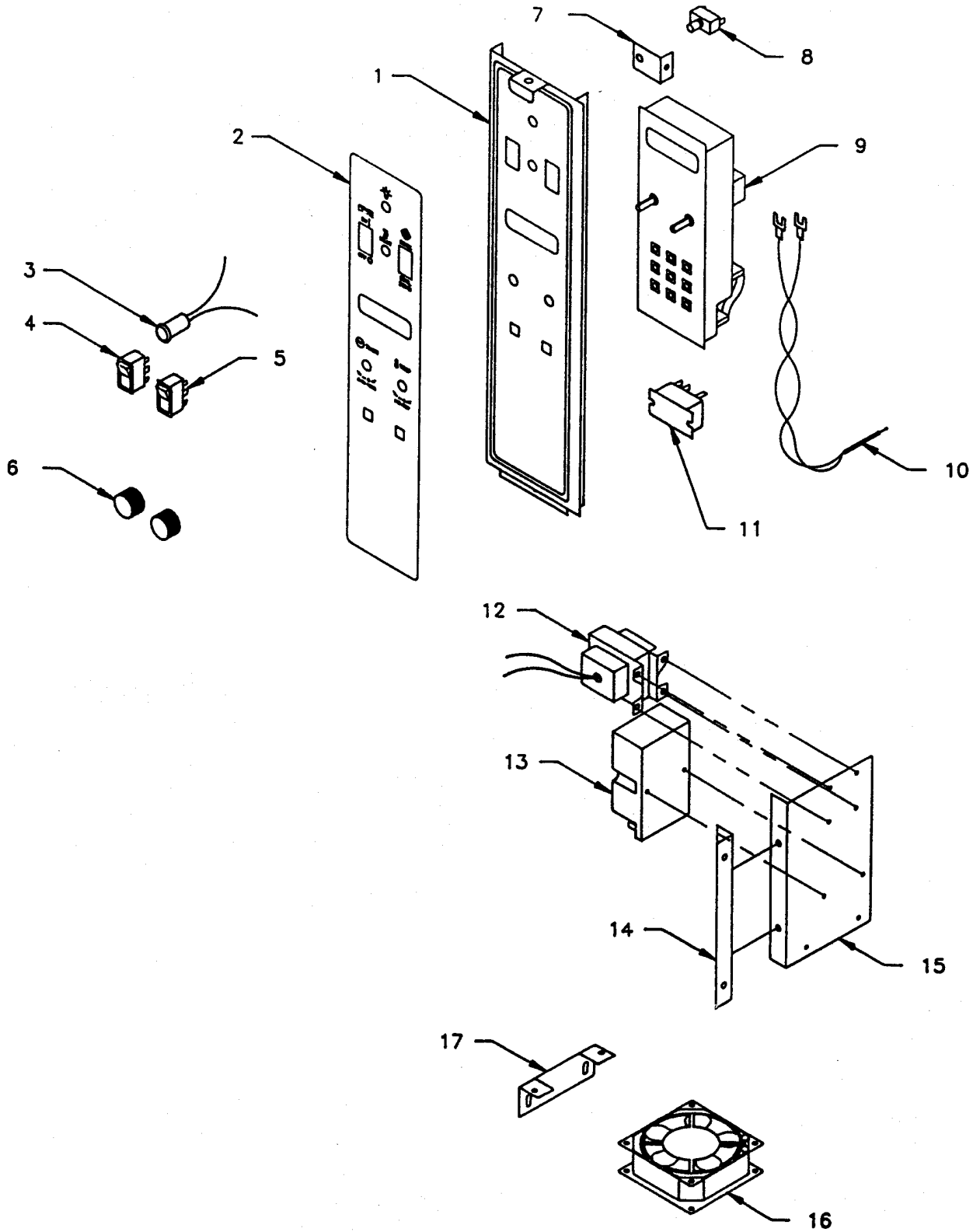


ECO/ICO CONTROL PANELS  
ELECTRIC

ITEM	PART #	DESCRIPTION	ECO	ICO
<u>MANUAL CONTROLS</u>				
1	1657901	Control Panel (Before 11/17/92)	1	1
	1719801	Control Panel (After 11/17/92)	1	1
3	1657902	Overlay 1-Speed	1	1
	1657904	Overlay 2-Speed	1	1
5	1006493	Pilot Light Green	1	1
6	1006498	Pilot Light Amber	1	1
7	1019203	Switch 1-Speed	1	1
	1019207	Switch 2-Speed	1	1
8	1019209	Switch	1	1
9	1181000	Momentary Push Switch	1	1
10	1749201	Panel Bracket	1	1
11	1314001	Dial	2	2
	1314121	Insert	2	2
13	1285701	1 Hour Timer 230V	1	1
	1285601	12 Hour Timer 230V	1	1
14	1032400	Thermostat	1	1
	9005400	Mercury Contactor (Not Shown)	1	1

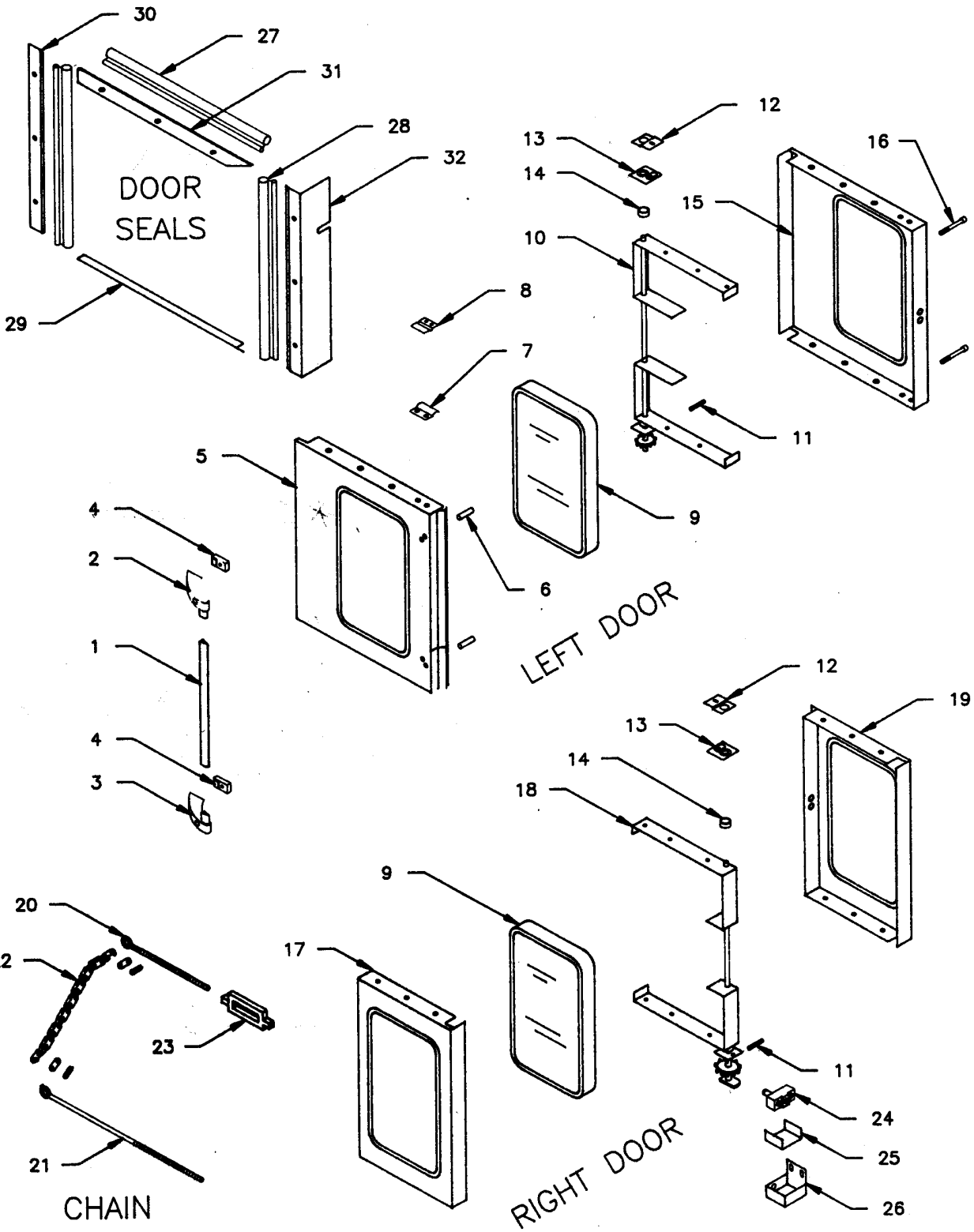
ELECTRONIC CONTROL

2	1657799	2 Key & 8 Key Panel - Before 11/17/92	1	1
	1657798	Cook 'N Hold Panel - Before 11/17/92	1	1
	1719899	2 Key & 8 Key Panel - After 11/17/92 - to July 25 '94	1	1
	1719898	Cook 'N Hold Panel - After 11/17/92 - to July 25 '94	1	1
4	1657702	Overlay 2 Key 1 Speed (Long Overlay) After 6/90	1	1
	1657704	Overlay 2 Key 2 Speed (Long Overlay) After 6/90	1	1
		→ To August '94 (2 Key Only)		
	1657706	Overlay 8 Key 1 Speed (Long Overlay) After 6/90	1	1
	1657708	Overlay 8 Key 2 Speed (Long Overlay) After 6/90	1	1
	1657710	Overlay Cook 'n' Hold (Long Overlay) After 6/90	1	1
	1399000	2 Key Overlay (Short) Before 6/90	1	1
	1399100	8 Key Overlay (Short) Before 6/90	1	1
	1541600	12 Key Overlay (Short) Before 6/90	1	1
5	1006498	Amber Pilot Light 28V	1	1
7	1019203	Switch - 1 Speed	1	1
	1019207	Switch - 2 Speed	1	1
8	1019209	Switch	1	1
9	1181000	Momentary Push Switch	1	1
10	1749201	Panel Bracket	1	1
12	9007200	Knob	2	2
15	1517704	Controller 2 Key - Up to July/94 > New# 1517706	1	1
	1517705	Controller 8 Key	1	1
	1544801	Controller Cook 'N Hold	1	1
16	9006800	Temperature Probe	1	1
17	1516600	Key Lock	1	1
	9005400	Mercury Contactor (Not Shown)	1	1



ECO/ICO TWO KEY CONTROL PANEL  
(AFTER 8/12/94)  
PARTS LIST

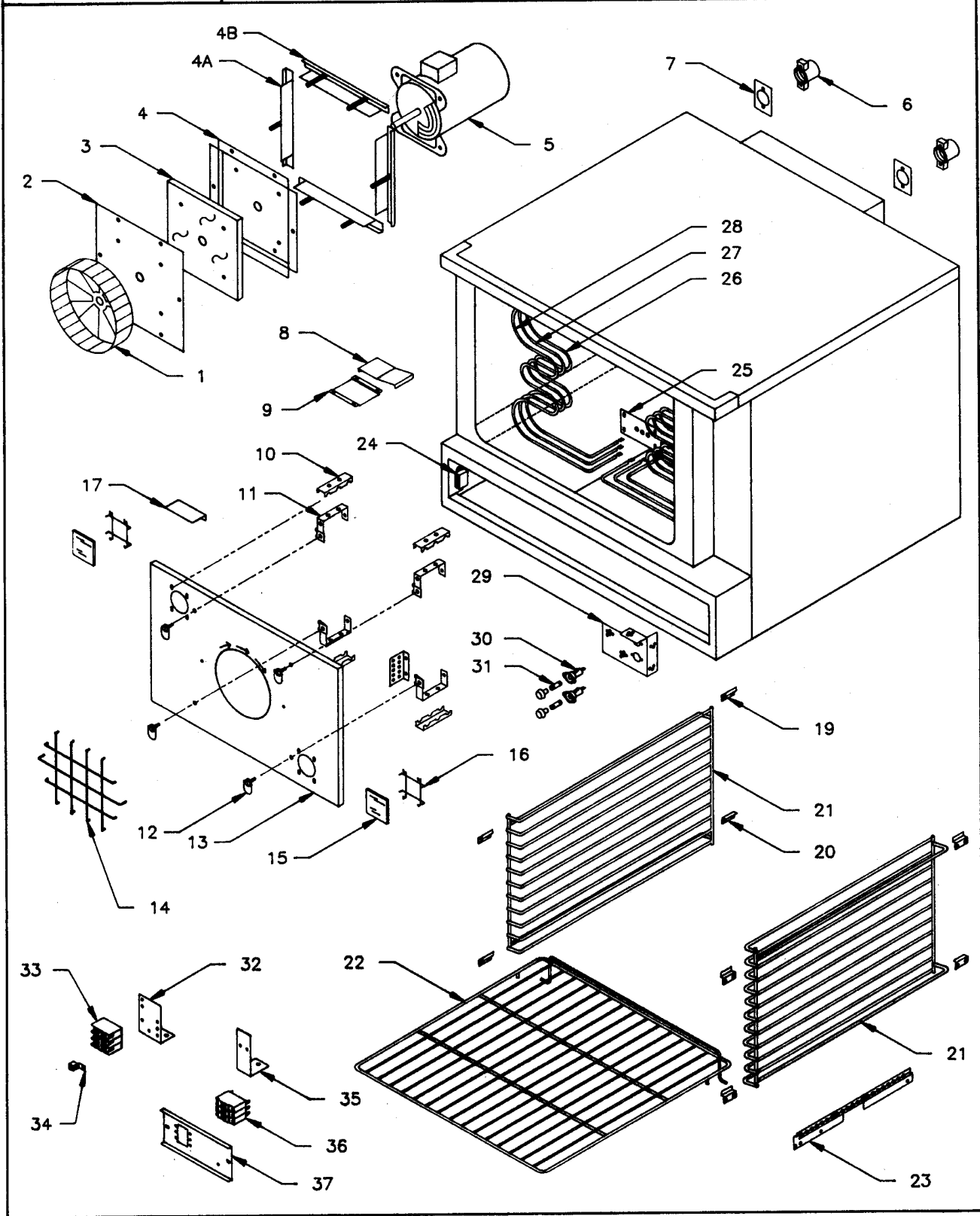
<u>ITEM</u>	<u>PART #</u>	<u>DESCRIPTION</u>	<u>QUANTITY</u>
1	1719897	Control Panel	1
2	1657712	Overlay - 2 Speed	1
3	1270000	Amber Pilot Light (Gas)	1
	1006498	Amber Pilot Light (Electric)	1
4	1019207	Rocker Switch - 3 Position	1
5	1019209	Rocker Switch - 2 Position	1
6	1720501	Knob	2
7	1749201	Panel Bracket	1
8	1181000	Momentary Push Switch	1
9	1517706	2 Button Controller - Gas	1
	1517707	2 Button Controller - Electric	1
10	9006800	Probe	1
11	1771601	Relay - 120V - Gas	1
	1771602	Relay - 240V - Electric	1
12	1269800	Transformer - Gas	1
13	1516300	Module - LP Gas	1
	1516301	Module - Nat Gas	1
14	1774702	Module Mounting Bracket	1
15	1774701	Module Mounting Plate	1
16	1671100	Polar Fan - 115V - Gas	1
	1671101	Polar Fan - 230V - Electric	1
17	1774402	Cooling Fan Mounting Bracket	1
*	90020991	Thermistor (NOT SHOWN)	



ECO/ICO DOOR COMPONENTS

ITEM	PART #	DESCRIPTION	ECO	ICO
	1029279	Left Door Assy with window	1	1
	1029277	Left Door Assy Solid (OPT)		
	1029278	Right Door Assy Solid	1	1
	1029276	Right Door Assy with window (OPT)		
1	1016700	Oven Door Handle	1	1
2	1016702	Oven Door Handle End (Top)	1	1
3	1016701	Oven Door Handle End (Bottom)	1	1
4	1016703	Oven Door Handle Spacer	2	2
5	1011605	Left Oven Door Panel (w/window)	1	1
	1011606	Left Oven Door Panel (Solid)		
6	1011707	Handle Spacer Tubing	2	2
7	1021904	Door Catch (Mounted on Door)	1	1
8	1021902	Door Catch (Mounted on Frame)	1	1
9	1010999	Oven Door Window	1	1
10	1011895	Left Door Frame	1	1
11	1019701	Roller Pin	1	1
12	1302800	Upper Door Bearing Retainer	2	2
13	1010589	Hinge Bracket Assembly with Bearing	2	2
14	1011201	Steel Tubing Chrome Spacer	2	2
15	1011799	Left Door Liner Assembly with Window	1	1
	1011798	Left Door Liner Assembly Solid		
16	8004004	Allen Head Cap Screw 1/4 - 20 X 3 3/16	2	2
17	1011402	Right Door Panel Solid	1	1
	1011403	Right Door Panel with Window		
18	1011897	Right Door Frame Solid	1	1
	1011896	Right Door Frame with Window		
19	1011502	Right Door Liner Solid	1	1
	1011599	Right Door Liner with Window		
20	1014201	Left Door Rod (Short)	2	2
21	1014200	Right Door Rod (Long)	2	2
22	1021100	Roller Chain	2	2
23	1015000	Turnbuckle	2	2
24	1019600	Micro Switch	1	1
25	1533400	Micro Switch Cover (Insulation Paper)	1	1
26	1533800	Micro Switch Bracket	1	1
27	1581600	Top Door Seal	1	1
28	1581601	Side Door Seals Before 11/17/92	2	2
	1581601	Left Side Seal Only - After 11/17/92	1	1
29	1534500	Bottom Door Seal	1	1
30	1304201	Side Door Bracket - Before 11/17/92	2	2
	1304201	Left Side Door Bracket Only - After 11/17/92	1	1
31	1304202	Top Door Bracket	1	1
32	1719001	Right Door Seal - After 11/17/92	1	1





ECO/ICO OVEN COMPONENTS  
ELECTRIC

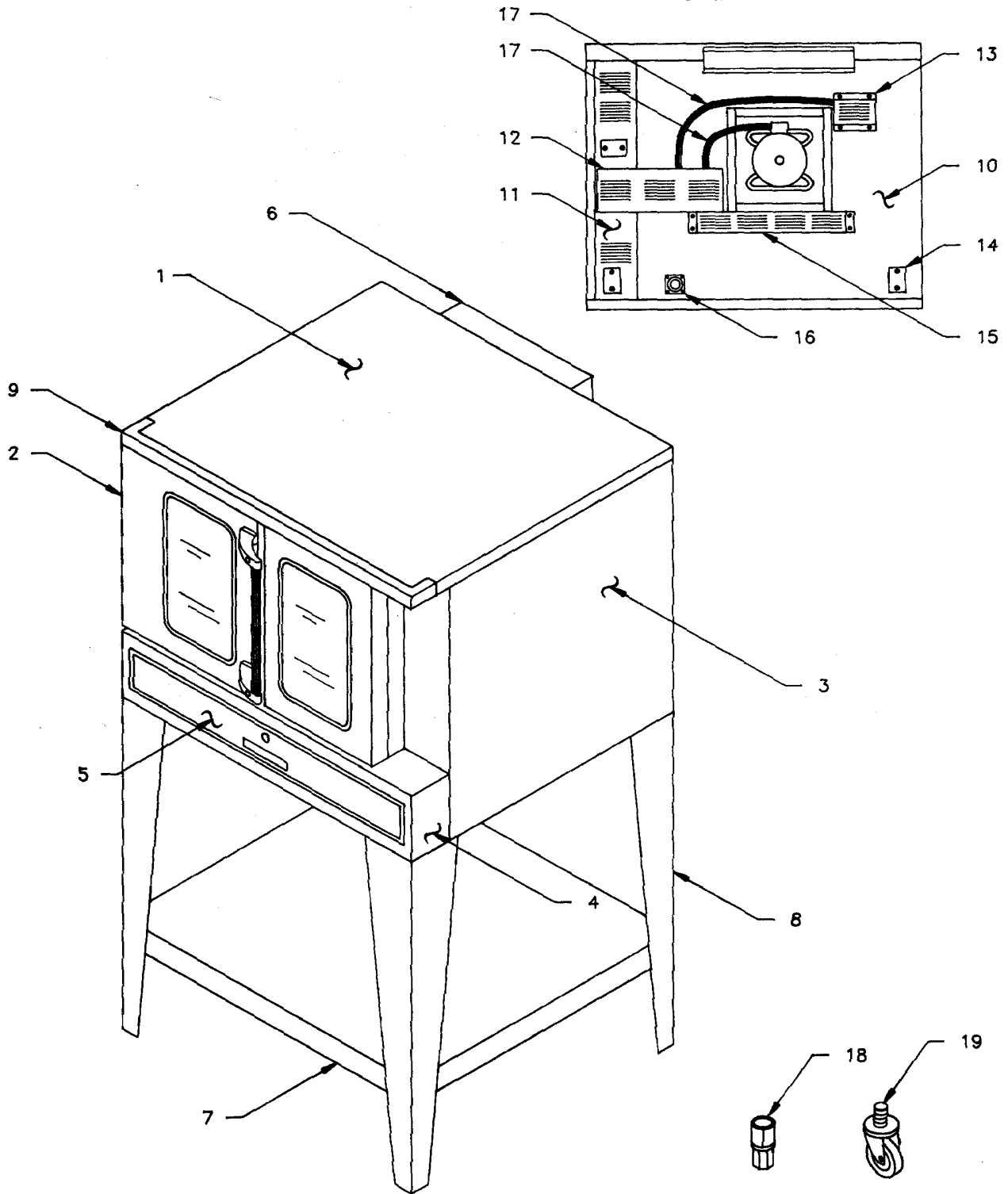
ITEM	PART #	DESCRIPTION	ECO	ICO
1	1025302	Blower Wheel	1	1
2	1011906	Motor Mount Plate	1	1
3	1012100	Insulation (Marinite)	1	1
4	1012000	Motor Mount	1	1
4A	1012498	Motor Mount Brace - Side	2	2
4B	1012499	Motor Mount Brace - Top & Bottom	2	2
5	1686703	Motor 1/2 HP 1 Speed	1	1
	1686702	Motor 1/2 HP 2 Speed	1	1
	1003099	Motor Assy (Items 1, 2, 3, 4, 5) 1 Speed		
	1003094	Motor Assy (Items 1, 2, 3, 4, 5) 2 Speed		
6	1025800	Lamp Socket Porcelain	2	2
7	1025900	Lamp Socket Gasket	2	2
	1026050	Lamp Bulb	2	2
8	1300900	Vent Slide Housing	1	1
9	1300901	Vent Slide	1	1
10	1547600	Element Clamp	4	4
11	1547200	Air Baffle Spacer Bottom	4	4
12	8005000	1/4 Turn Pin - After 6/88		
	8005100	1/4 Turn Pin Receptacle		
	1031901	Thumb Screws - Before 6/88		
13	1539899	Air Baffle Assembly GCE		
	1539898	Air Baffle Assembly CC (Optional)		
	1539896	Air Baffle Assembly SS (Optional)		
14	1014500	Blower Inlet Cover	1	1
15	9004800	Glass Light Cover	2	2
16	1534400	Glass Retainer	2	2
17	1547500	Air Vane Top	1	1
	1547400	Air Vane Center	1	1
19	1317600	Rack Guide Clip (Upper)	4	4
20	1317601	Rack Guide Clip (Lower)	4	4
21	1315700	Rack Guide	2	-
	1315701	Rack Guide - Deep	-	2
22	1012600	Oven Rack	5	-
	1012700	Oven Rack - Deep	-	5
23	1015799	Capillary Tube Guard	1	1
24	1020101	Magnetic Catch	2	2
25	1025400	Rear Element Cover SS	1	1
	1025401	Rear Element Cover SS 460V		
26	1011097	Element Rear 208V	1	1
	1011094	Element Rear 236V	1	1
	1011088	Element Rear 460V	1	1
27	1011098	Element Center 208V	1	1
	1011095	Element Center 236V	1	1
	1011089	Element Center 460V	1	1
28	1011099	Element Front 208V	1	1
	1011096	Element Front 236V	1	1
	1011090	Element Front 460V	1	1
	1032199	Element Assembly 208V		
	1032198	Element Assembly 236V		
	1032197	Element Assembly 460V		

ECO/ICO OVEN COMPONENTS  
ELECTRIC

ITEM	PART #	DESCRIPTION	ECO	ICO
29	1535000	Wire Shield	1	1
30	1130102	Fuse Holder	2	2
31	1130103	Fuse	2	2
32	1081022	Terminal Block Mounting Bracket	1	1
33	1193900	Terminal Block	1	1
34	1028400	Ground Lug	1	1
35	1267900	Load Control Panel Brace	1	1
36	1026200	Circuit Breaker	1	1
	1026201	Circuit Breaker 460V		
37	1268210	Circuit Breaker Bracket	1	1

## NOTES

REAR VIEW



ECO/ICO MAIN EXTERIOR  
ELECTRIC

ITEM	PART #	DESCRIPTION	ECO	ICO	
1	1300603	Main Top Standard - CR	1	-	
	1300602	Main Top Standard - SS	1	-	
	1300601	Main Top Deep - CR	-	1	
	1300600	Main Top Deep - SS	-	1	
2	1300504	Left Body Side - Painted	1	-	
	1300505	Left Body Side - SS	1	-	
	1300502	Left Body Side - Deep - Painted	-	1	
	1300503	Left Body Side - Deep - SS	-	1	
3	1300504	Right Body Side - Painted - Before 11/92	1	-	
	1300505	Right Body Side - SS - Before 11/92	1	-	
	1300506	Right Body Side - Painted - After 11/92	1	-	
	1300507	Right Body Side - SS - After 11/92	1	-	
	1300502	Right Body Side - Painted - Before 11/92	-	1	
	1300503	Right Body Side - SS - Before 11/92	-	1	
	1300508	Right Body Side - Painted - After 11/92	-	1	
	1300509	Right Body Side - SS - After 11/92	-	1	
	4	1301899	Combustion Chamber Assy - Before 11/92	1	1
1721099		Combustion Chamber Assy - After 11/92	1	1	
5	1301803	Combustion Chamber Door	1	1	
6	1024700	Vent Cover	1	1	
7	1684203	Lower Rack Support - Painted (Before 5/93)	1	-	
	1684204	Lower Rack Support - SS (Before 5/93)	1	-	
	1684205	Lower Rack Support - Painted (Before 5/93)	-	1	
	1684206	Lower Rack Support - SS (Before 5/93)	-	1	
	1756203	Lower Rack Support - Painted (After 5/93)	1	-	
	1756204	Lower Rack Support - SS (After 5/93)	1	-	
	1756205	Lower Rack Support - Painted (After 5/93)	-	1	
	1756206	Lower Rack Support - SS (After 5/93)	-	1	
	8	1684789	Leg Assy-Painted-Single Deck (Before 5/93)	4	4
		1684788	Leg Assy-SS-Single Deck (Before 5/93)	4	4
1300793		Leg Assy-Painted-Double Deck (Before 5/93)	4	4	
1300790		Leg Assy-SS-Double Deck (Before 5/93)	4	4	
1753299		Leg Assy-Painted-Single Deck (After 5/93)	4	4	
1753298		Leg Assy-SS-Single Deck (After 5/93)	4	4	
1753399		Leg Assy-Painted-Double Deck (After 5/93)	4	4	
1753398		Leg Assy-SS-Double Deck (After 5/93)	4	4	
9	1301100	Main Top Front Veneer	1	1	
	1302600	Main Top Side Veneer	2	-	
	1302601	Main Top Side Veneer - Deep	-	2	
10	1014710	Main Back	1	1	
11	1015508	Rear Control Panel Section	1	1	
12	1014813	Junction Box Cover	1	1	
13	1014809	Light Box Cover	1	1	
14	1046500	Rear Patch	3	3	
15	1048299	Element Box Assembly	1	1	
16	1032500	Knock Out Plate	1	1	

ECO/ICO MAIN EXTERIOR  
(CONTINUED)

ITEM	PART #	DESCRIPTION	ECO	ICO
17	1029430	BX Cable	2	2
	1028501	BX Cable Straight Connector 3/8	2	2
	1028500	BX Cable 90 Degree Connector 3/8	1	1
18	1236100	Square Foot Insert	4	4
19	1027500	Caster without Brake	2	2
	1027501	Caster with Brake	2	2
	1303597	Caster Pads - Painted - Single Deck	4	4
	1303596	Caster Pads - SS - Single Deck		
	1302099	Caster Pads-Painted-Double Deck-Before 5/93		
	1755999	Caster Pads-Painted-Double Deck-After 5/93		
	1755998	Caster Pads-SS-Double Deck-After 5/93		

## NOTES